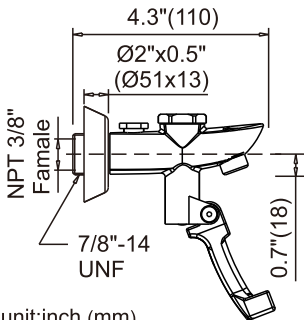


Glass filler handles both paper & glass cups

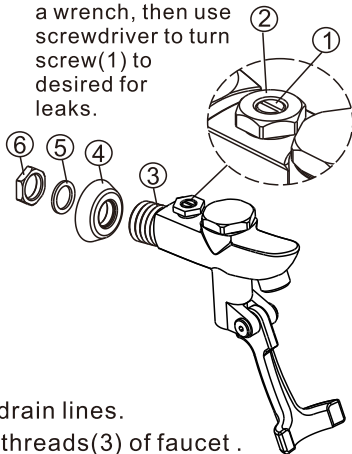
System limit
temp: 40°F min. to 140°F max.
pressure: 100 psi max. static



unit: inch (mm)

K1033C-F

Flow Adjustment:
To adjust water flow,
loosen nut (2) with
a wrench, then use
screwdriver to turn
screw (1) to
desired for
leaks.



1. Turn off water supply and drain lines.
2. Position base (4) to cover threads (3) of faucet.
3. Place faucet through 7/8" hole in wall.
4. Replace the washer (5) and nut (6) onto the threads (3) and tighten with a wrench at bottom side of countertop.
5. Use the appropriate connector to connect to the device.