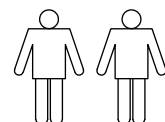
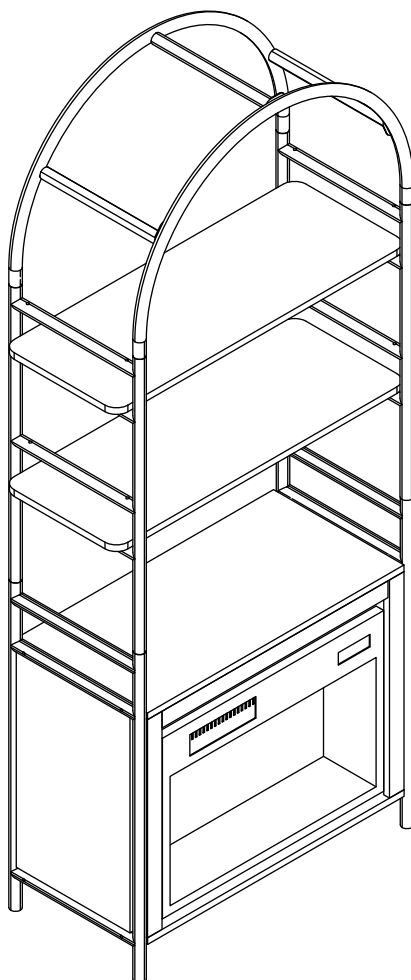


INSTRUCTION MANUAL

Arched Cabinet with Fireplace



WELCOME TO THE FUTURE!

Thank you for choosing our new furniture! Our products are designed to be both stylish and functional, with a focus on energy efficiency and sustainability.

We use high-quality materials to ensure that our pieces are built last, so you can enjoy them for years. Whether you're looking for a functional or designer, we have something for everyone.

Our products are perfect for any home or office, and we're confident that you'll love them as much as we do!

Hey guys, congratulations on getting a nice furniture. Thanks for supporting us. Your package will be divided into two, we are sent out at the same time, but due to the uncontrollable logistics. If you receive one package first please be patient, your second package is not far from receiving. Thank you for your understanding and waiting, contact us at the first time if you have any questions!

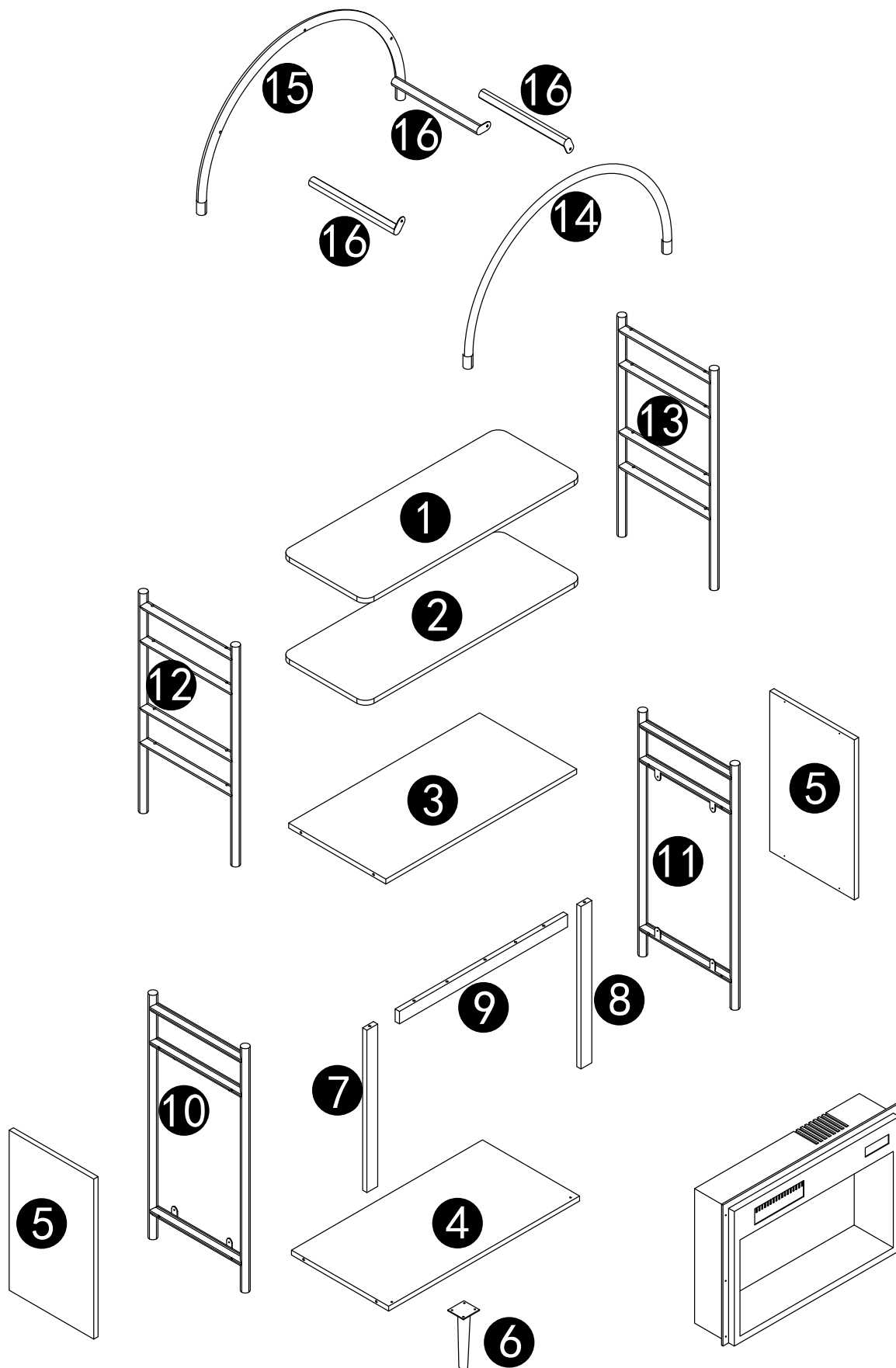
NOTICE

- 1.Children are not allowed to operate
2. Faster installation is possible with power tools.
3. Do not pull the frame vigorously to prevent the storage cabinet from tipping
4. When using the storage cabinet for the first time, please keep it in a ventilated environment to allow the smell to fully evaporate.
- 5.When placing the partitions,please make sure the nails are firmly installed to prevent the partitions from falling off.
6. If any parts are missing,broken,damaged or worn,discontinue use of the product until repairs are made and/or factory replacement parts are installed
7. Do not use this product in a manner inconsistent with the manufacturer's instructionsas this may void the product warranty
- 8.If accessories are missing, please contact customer service for communication in time, we provide 7x24 hours after-sales service
- 9.Do not use any attachments or accessories other than the original factory attachments and accessories
- 10.Do not alter this equipment. Any alteration will create a safety hazard.
- 11.Please do not seat on the board, warping preventing.
- 12.When moving table, please apply force on the cabinet below. Try not to carry the top board alone as it is easy to deform.
- 13.Please attach the sofa table to the wall with an anti-tip device after installation is complete.

Before You Start

- ⚠ Please read all instructions carefully.
- ⚠ Retain instructions for future reference.
- ⚠ Separate and count all parts and hardware.
- ⚠ Read through each step carefully and follow the proper order.
- ⚠ We recommend that, where possible, all items are assembled near to the area in which they will be placed in use, to avoid moving the product unnecessarily once assembled.
- ⚠ Always place the product on a flat, steady and stable surface.
- ⚠ Keep all small parts and packaging materials for this product away from babies and children as they potentially pose a serious choking hazard.

Panel List



PRE-INSTALLATION

GRAB YOUR TOOLS



Phillips Screwdriver

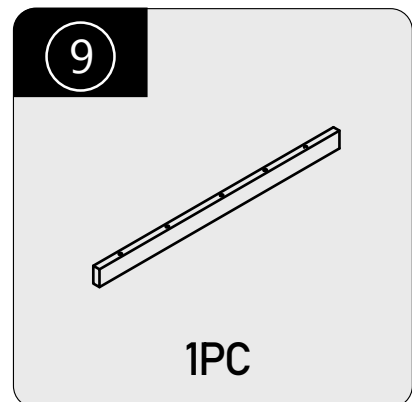
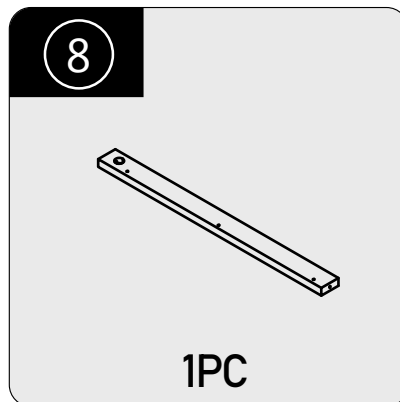
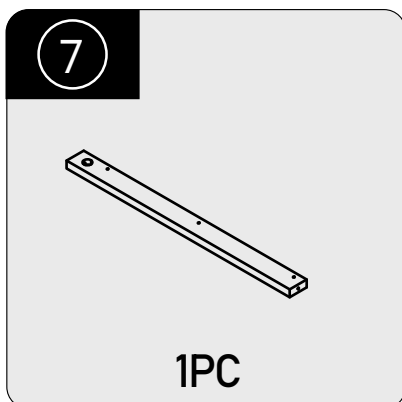
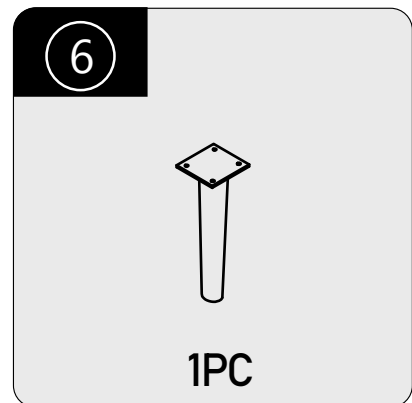
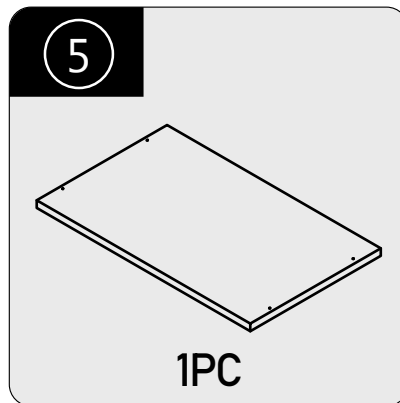
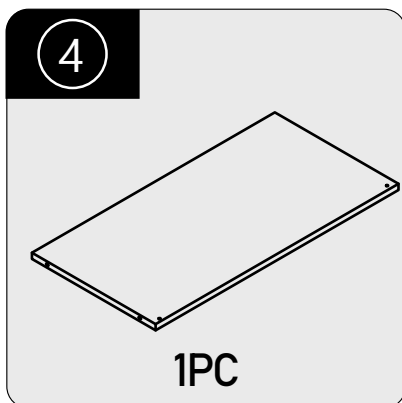
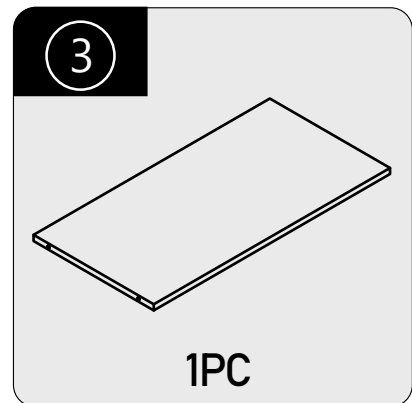
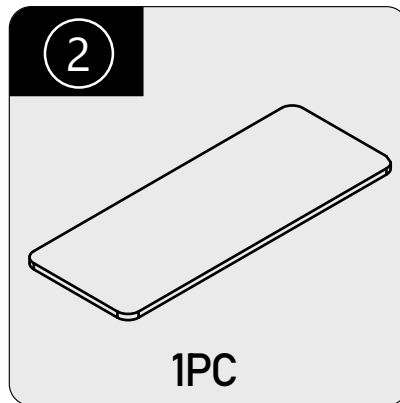
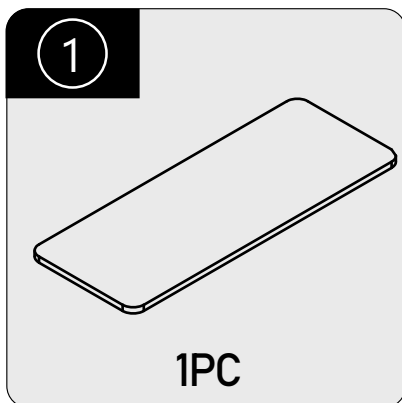


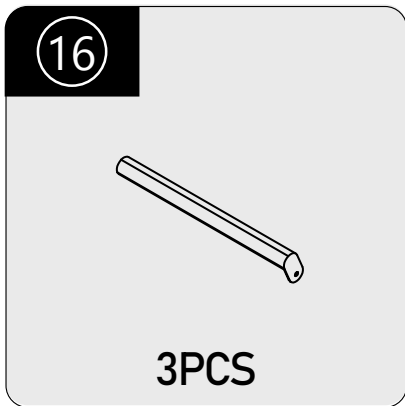
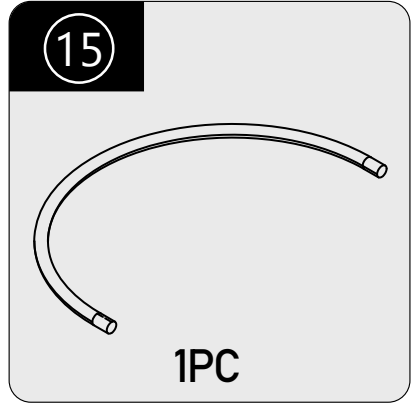
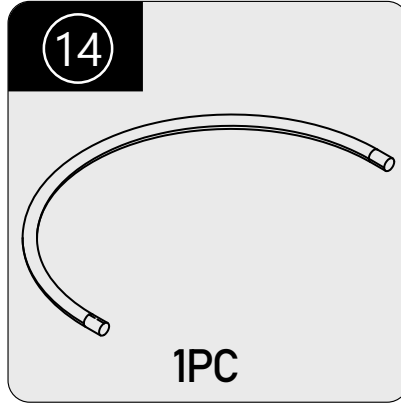
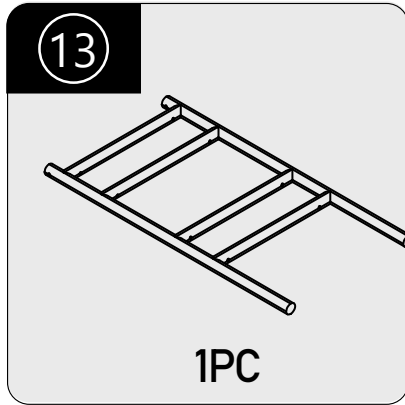
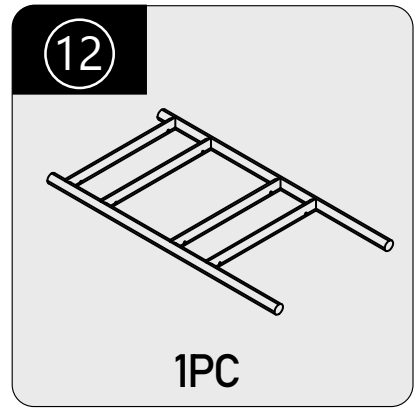
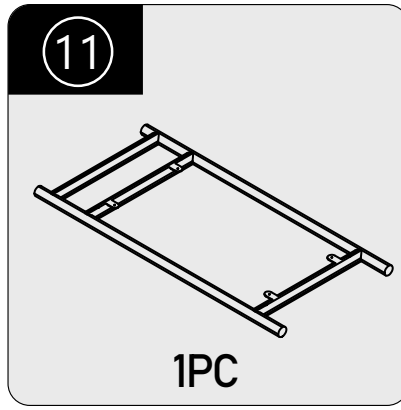
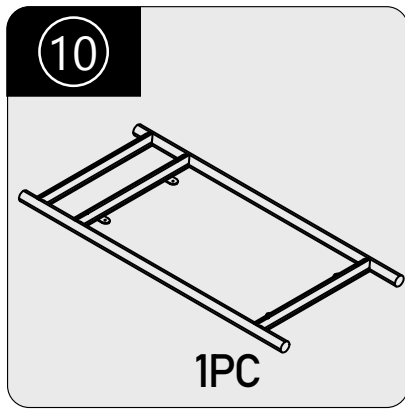
2 Persons Assembly



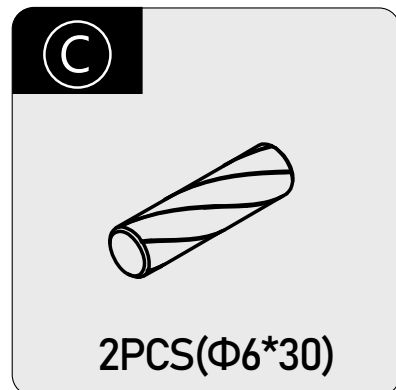
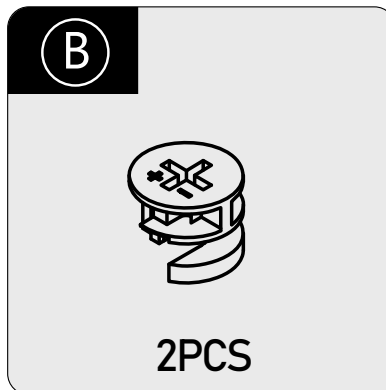
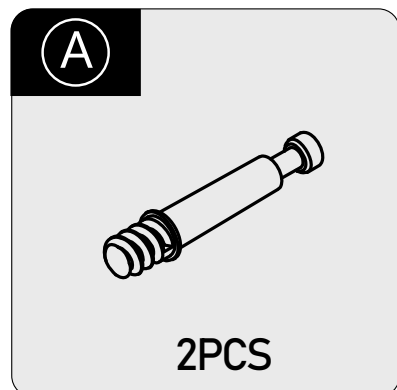
Up to 40 Minutes For Assembly

WHAT'S IN THE BOX

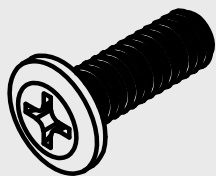




Hardware List



D



8PCS($\Phi 6 \times 30$)

E



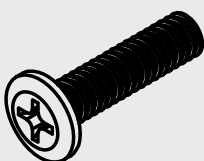
20+2PCS($\Phi 4 \times 12$)

F



8PCS

G



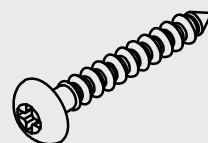
8PCS($\Phi 6 \times 60$)

H



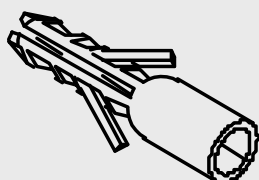
4PCS($\Phi 4 \times 35$)

I



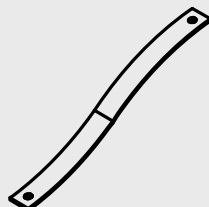
3PCS($\Phi 4 \times 35$)

J



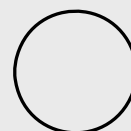
2PCS

K



2PCS

L



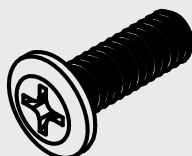
16PCS

M



11+1PCS($\Phi 6 \times 12$)

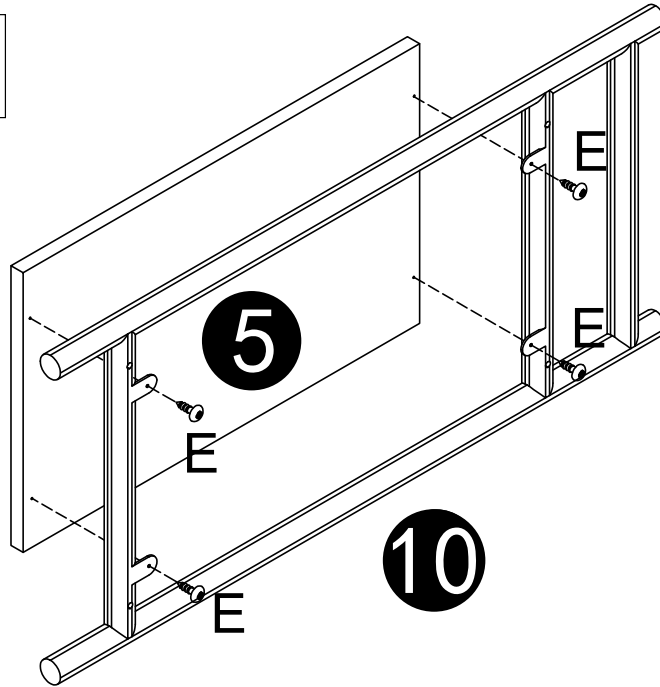
N



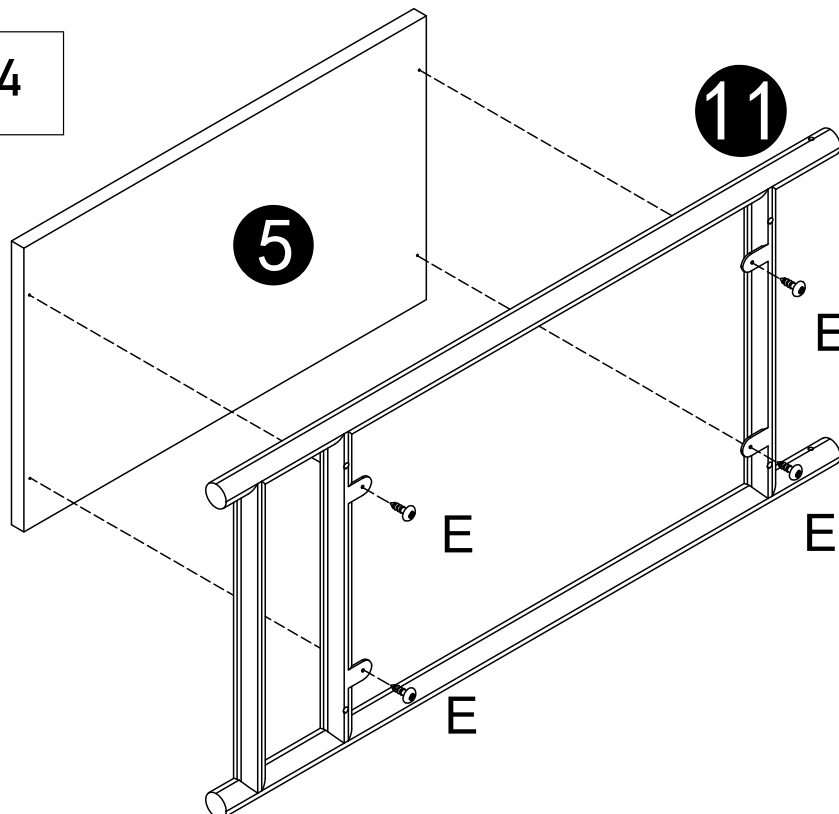
3PCS($\Phi 6 \times 35$)

Assembly Instructions

STEP 1

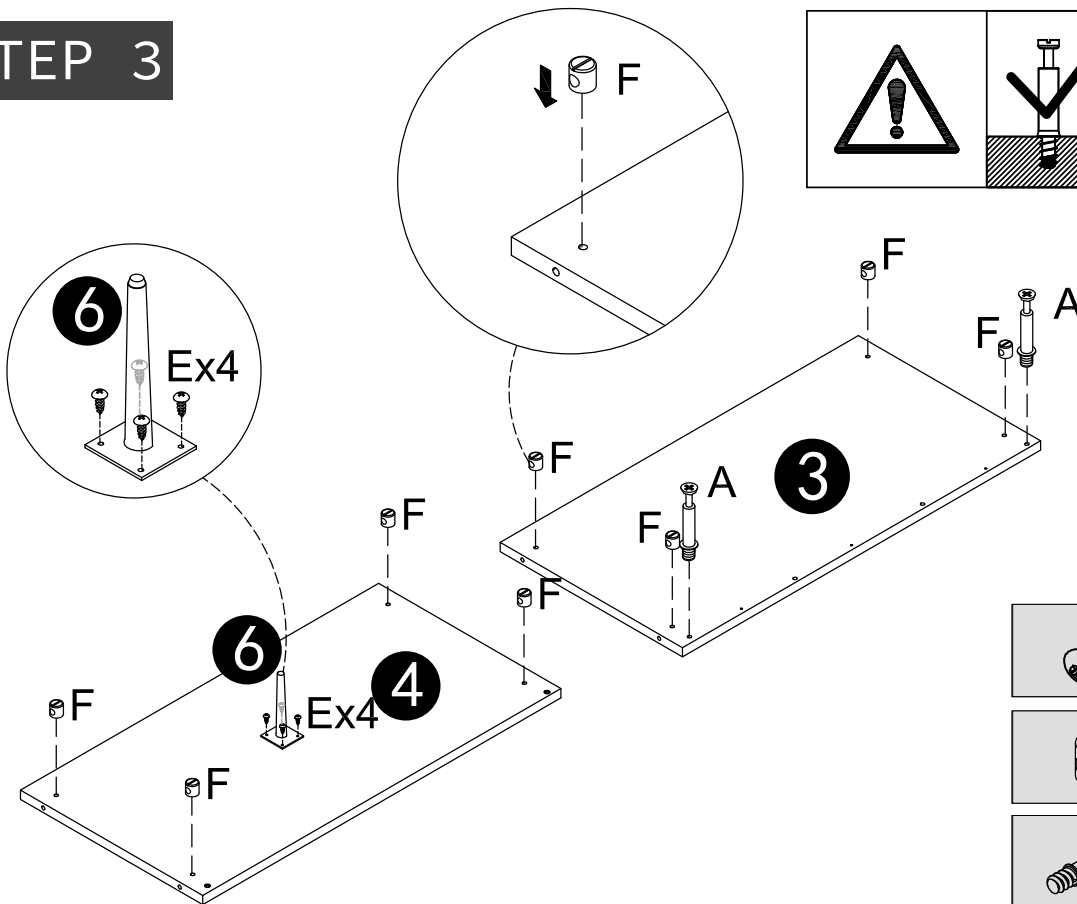


STEP 2

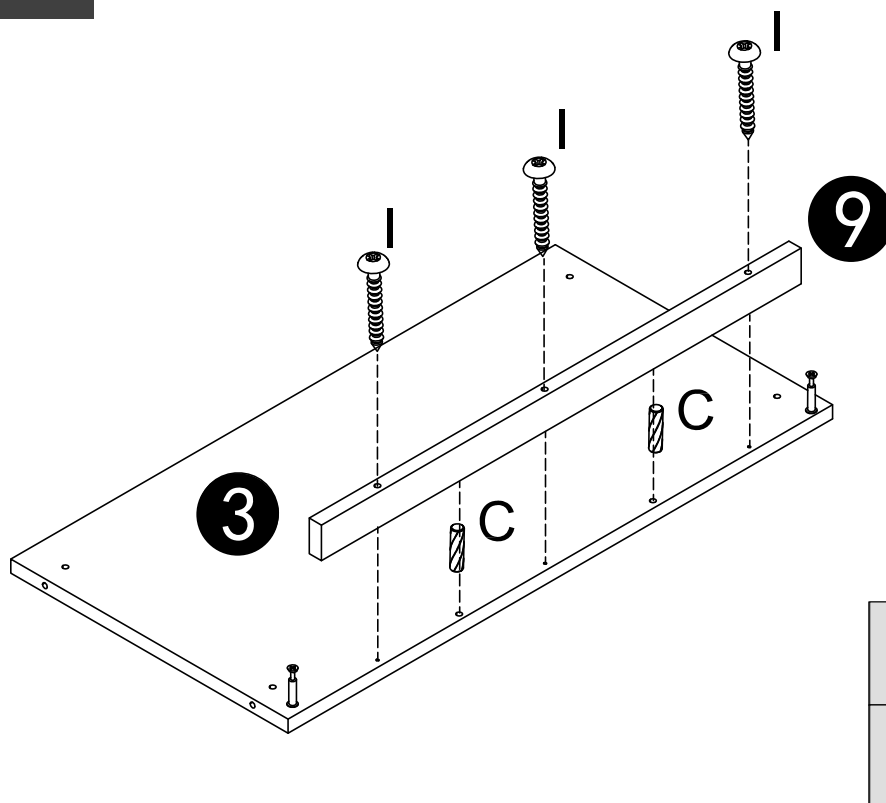


Assembly Instructions

STEP 3



STEP 4

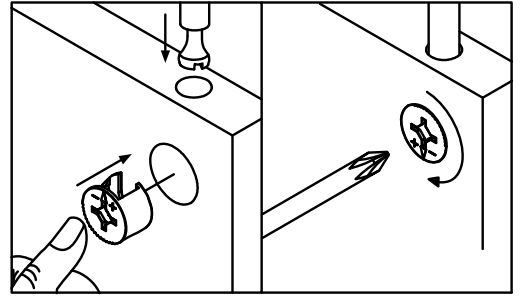
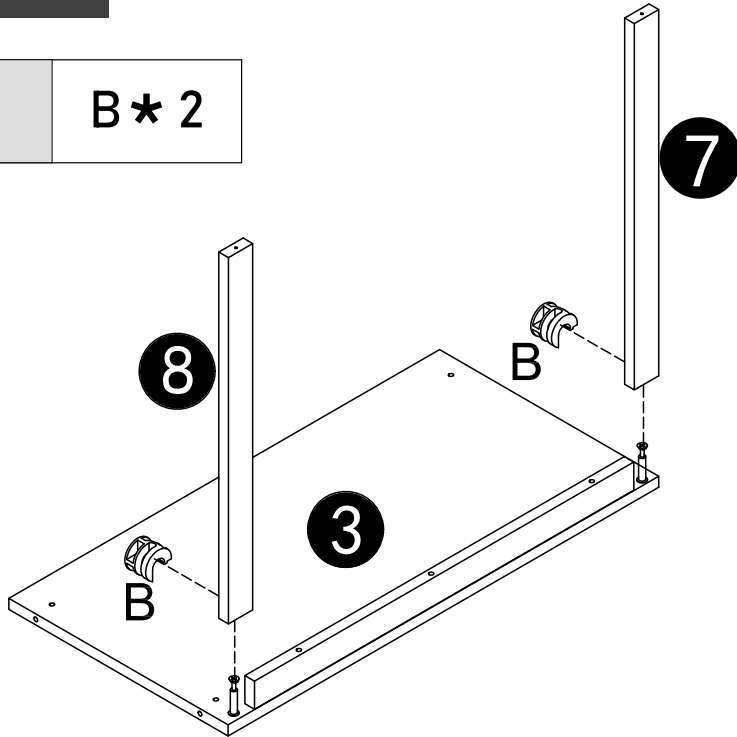


Assembly Instructions

STEP 5



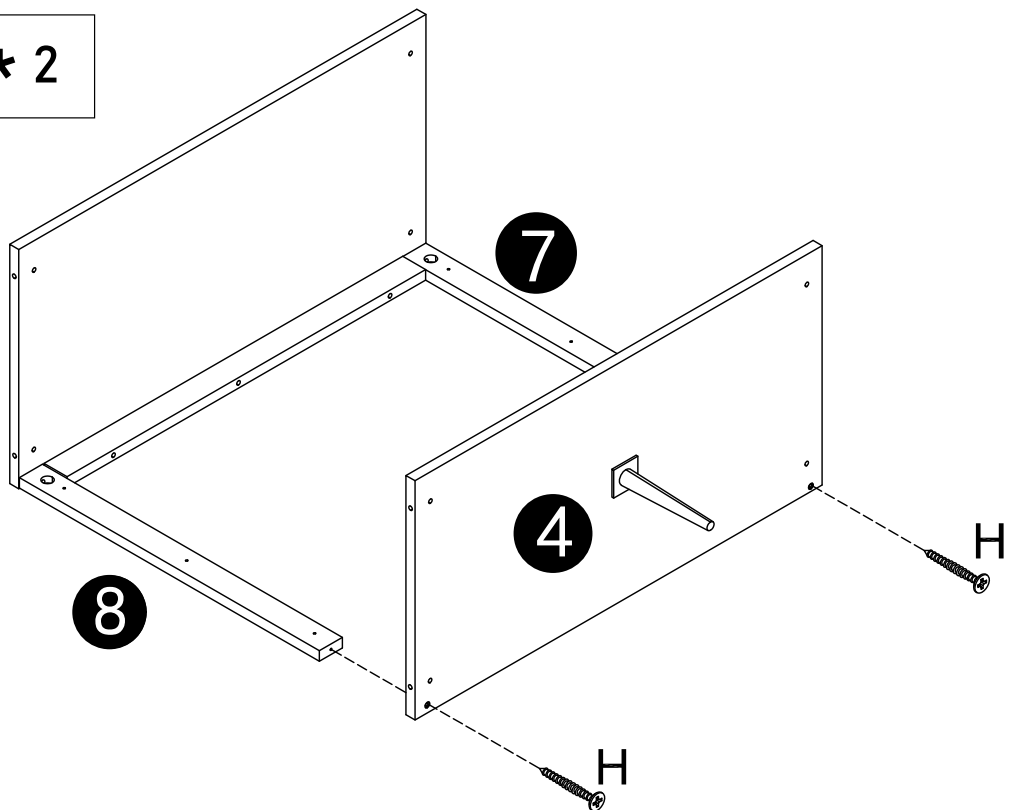
B* 2



STEP 6

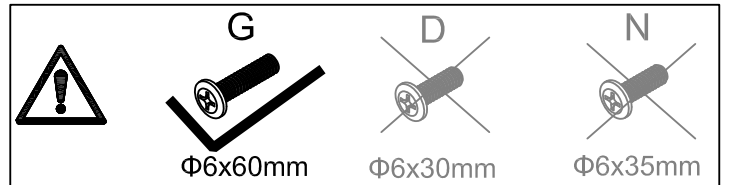
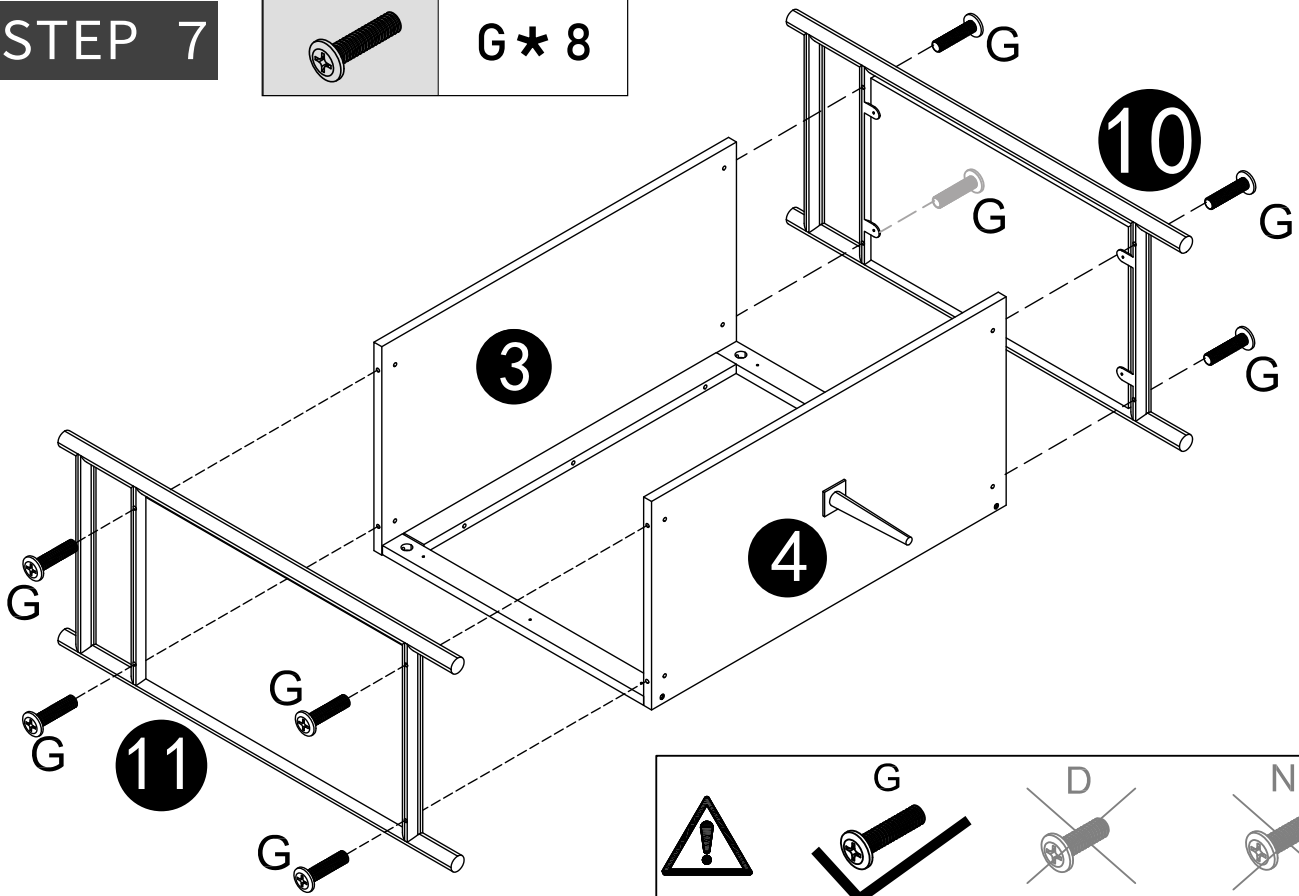
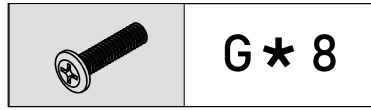


H* 2



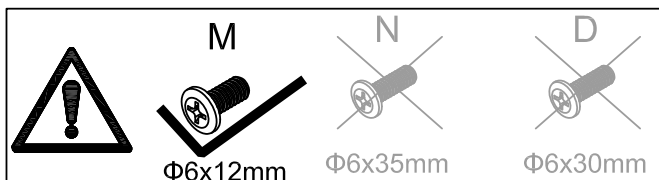
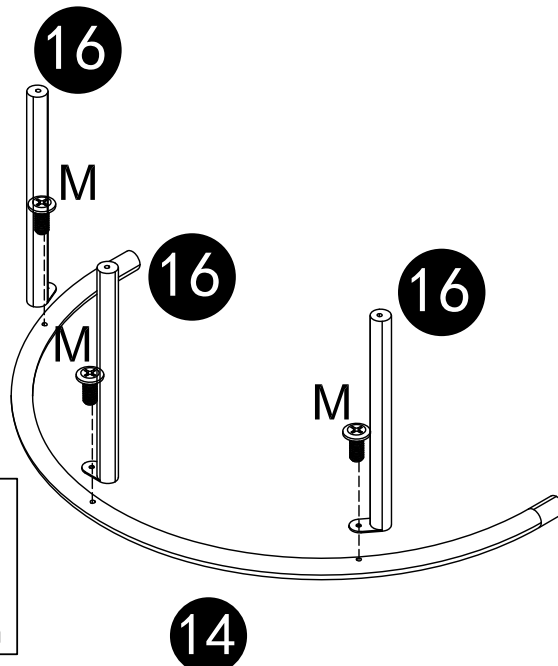
Assembly Instructions

STEP 7



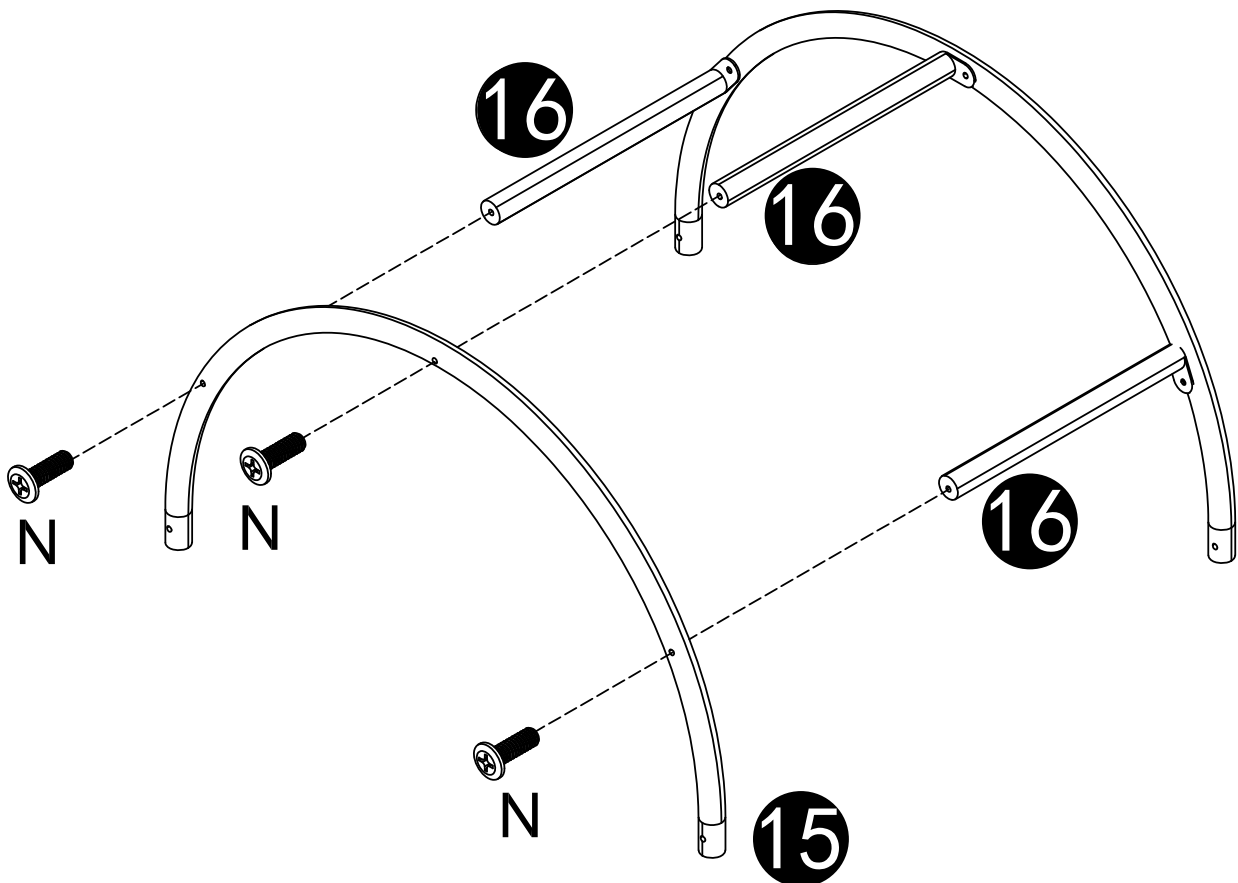
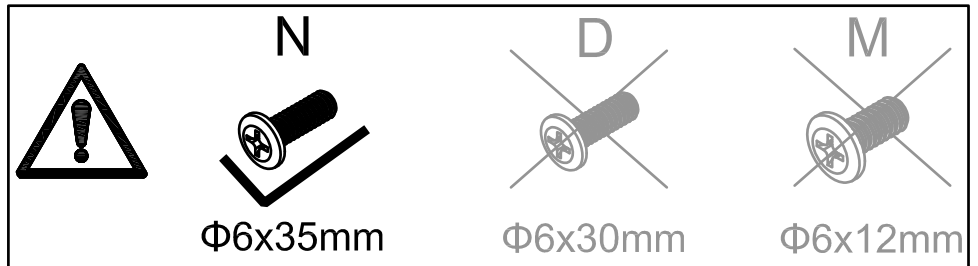
STEP 8

The installation directions of theiron parts should be consistent.If they are installed in the oppositeway, the iron pipes will deform.



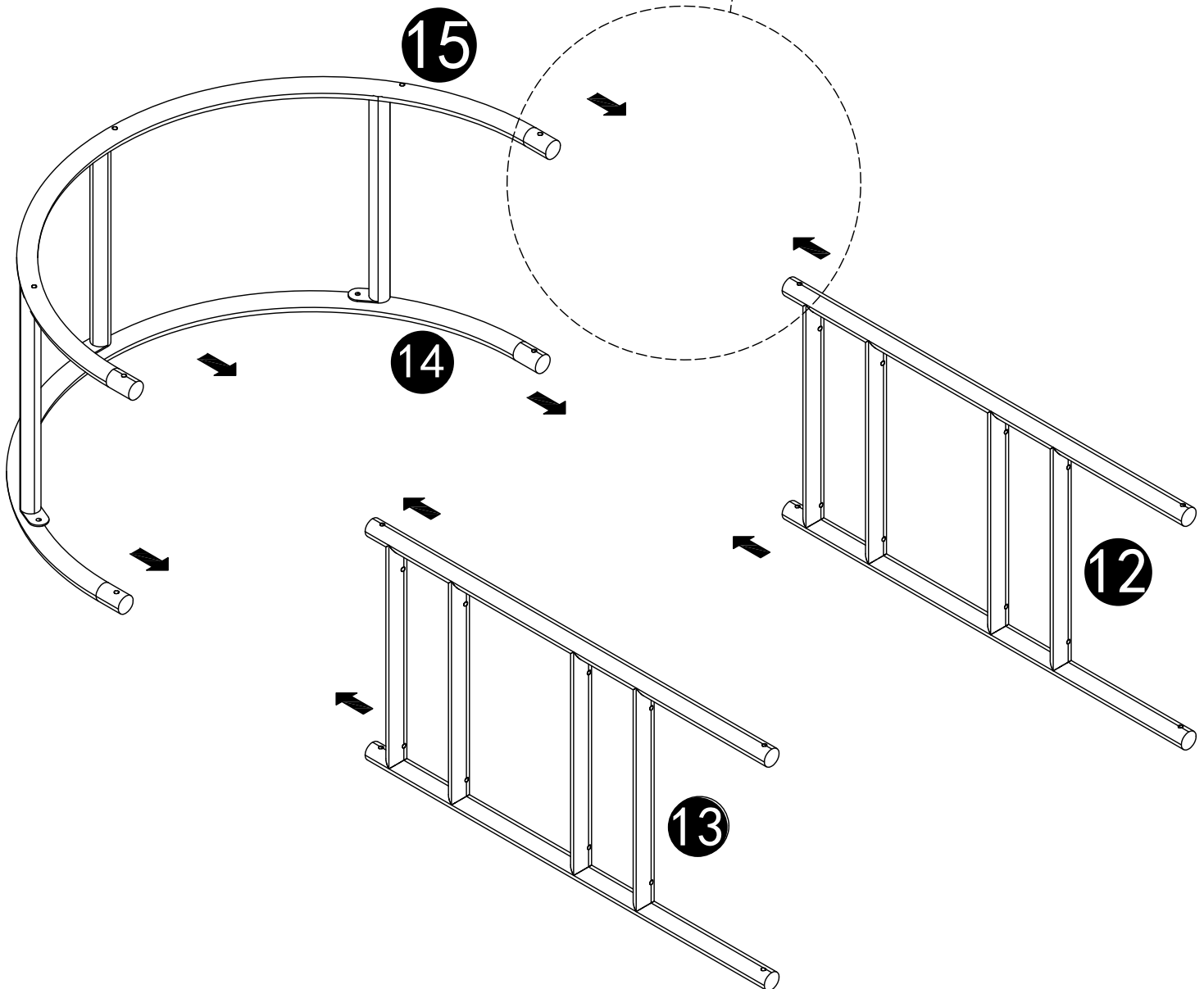
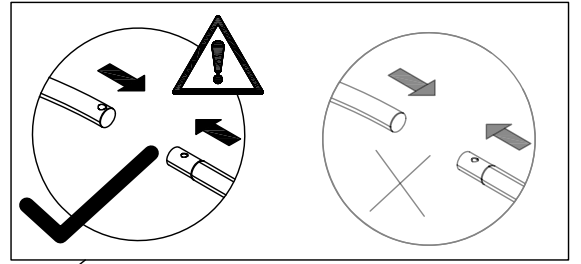
Assembly Instructions

STEP 9



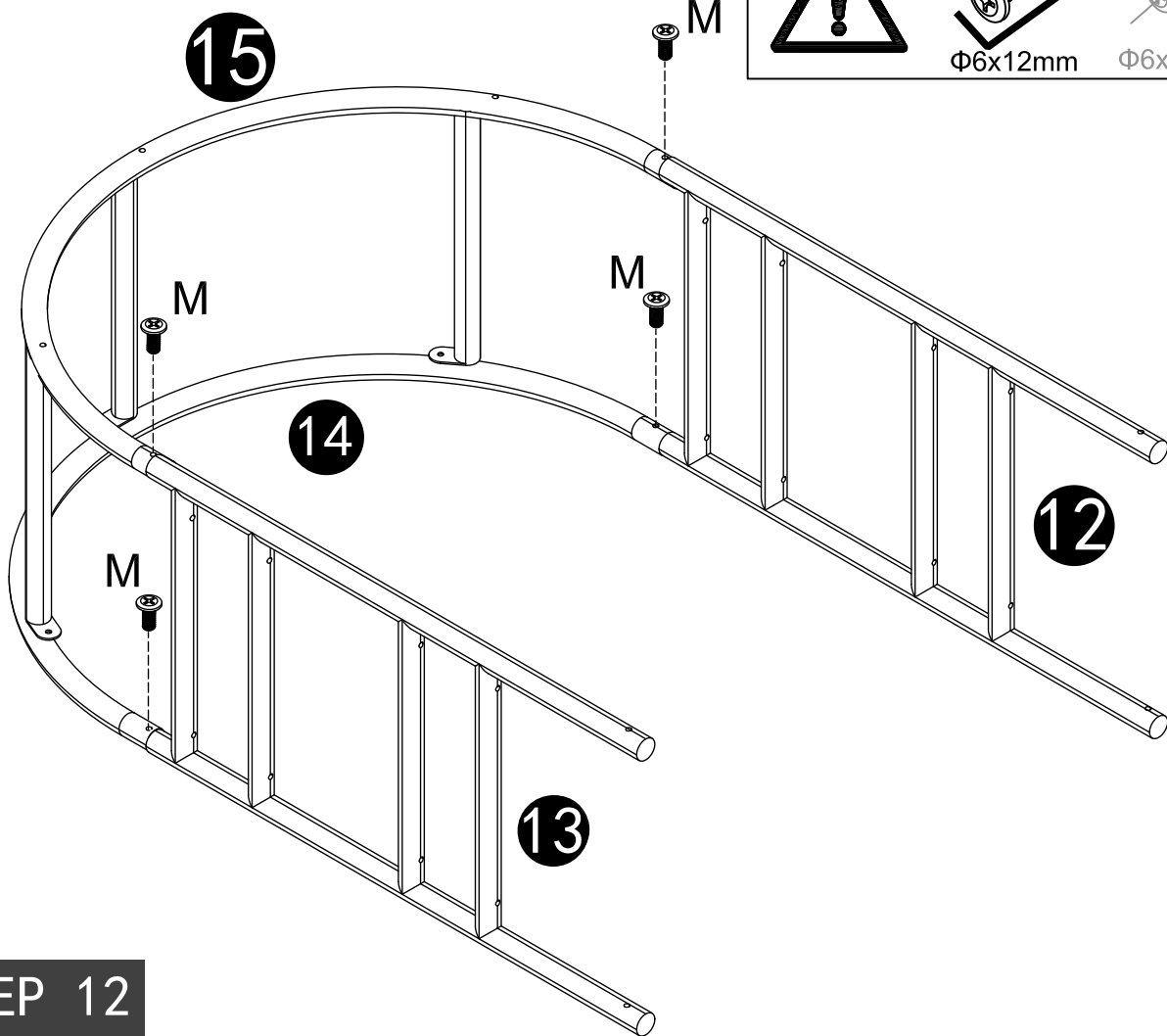
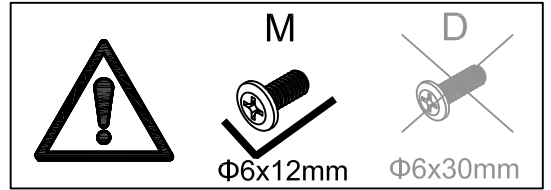
Assembly Instructions

STEP 10

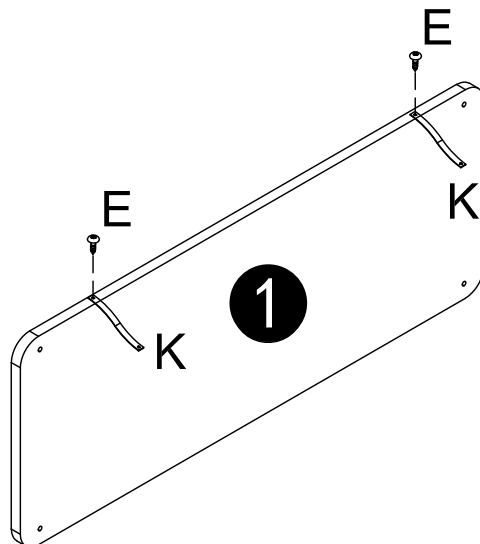


Assembly Instructions

STEP 11

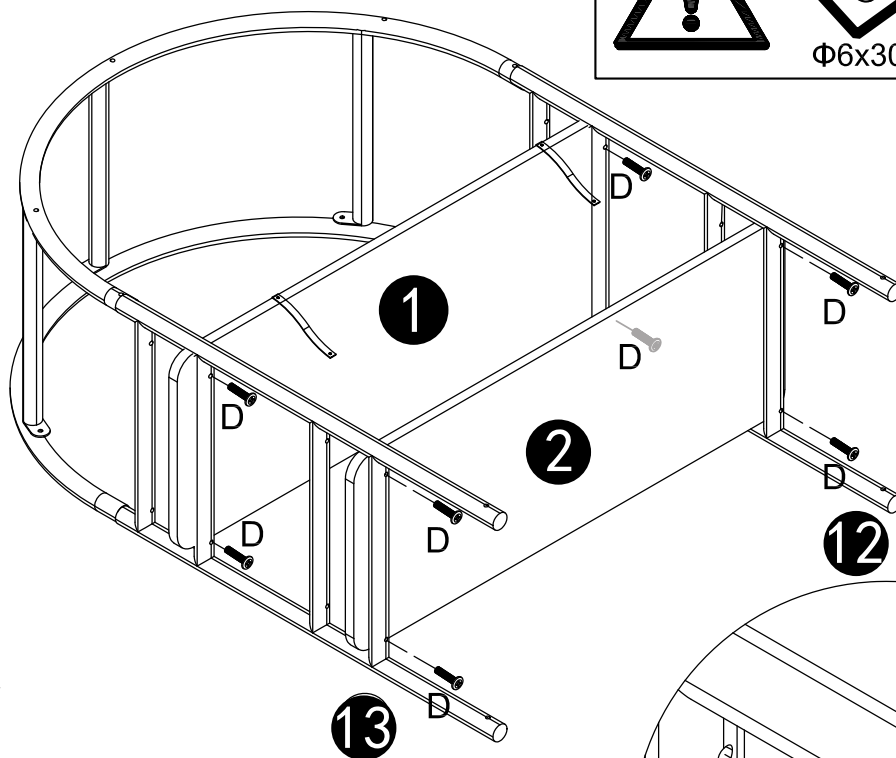
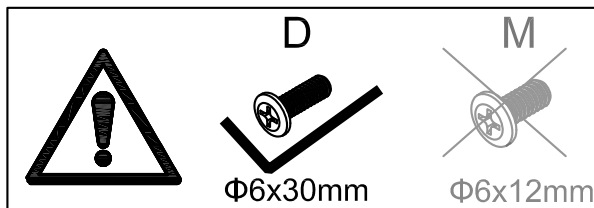


STEP 12

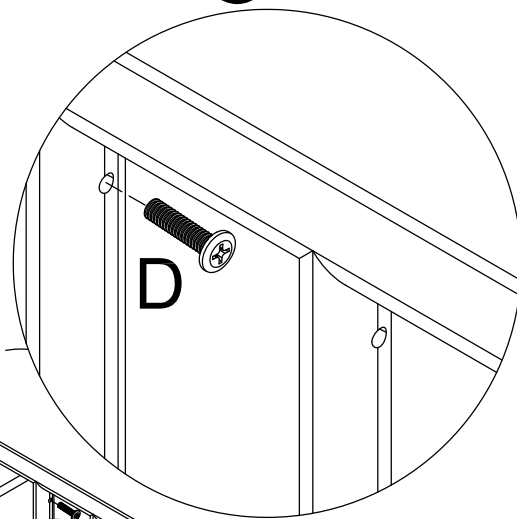
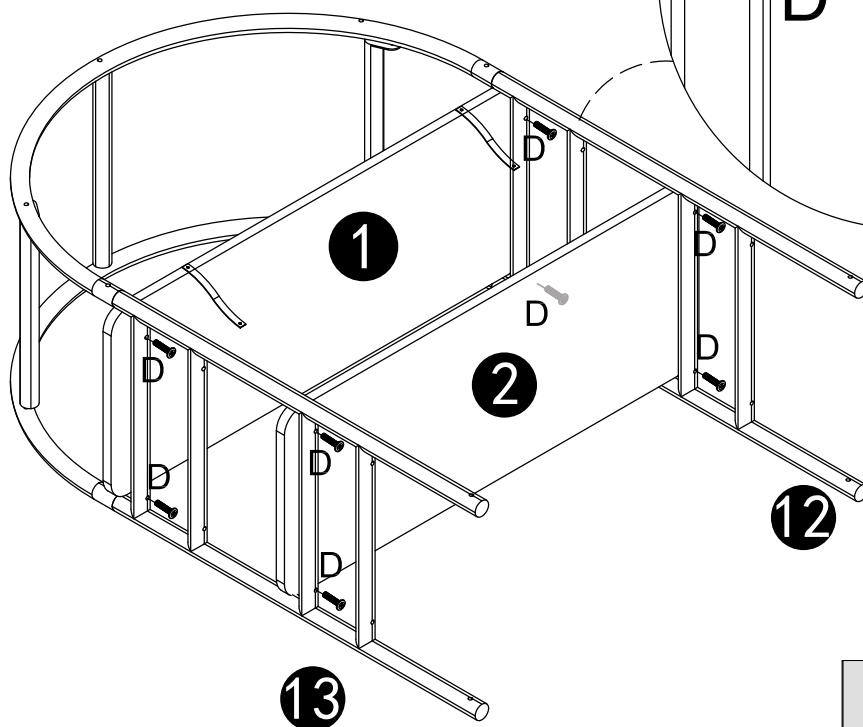


Assembly Instructions

STEP 13

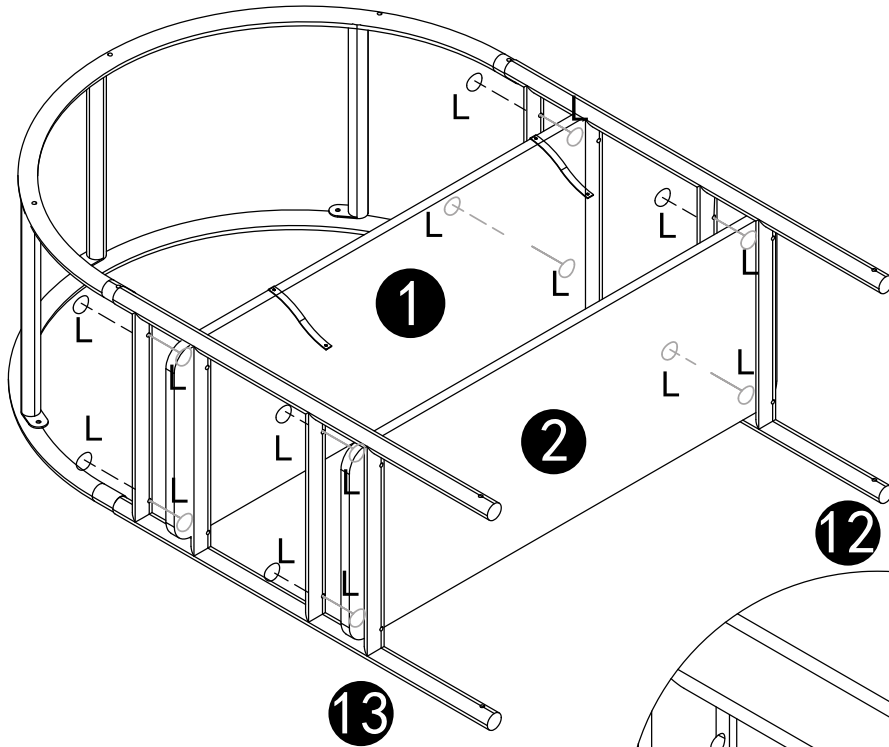
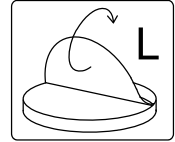
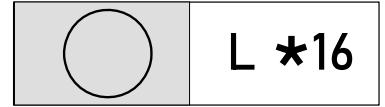


or

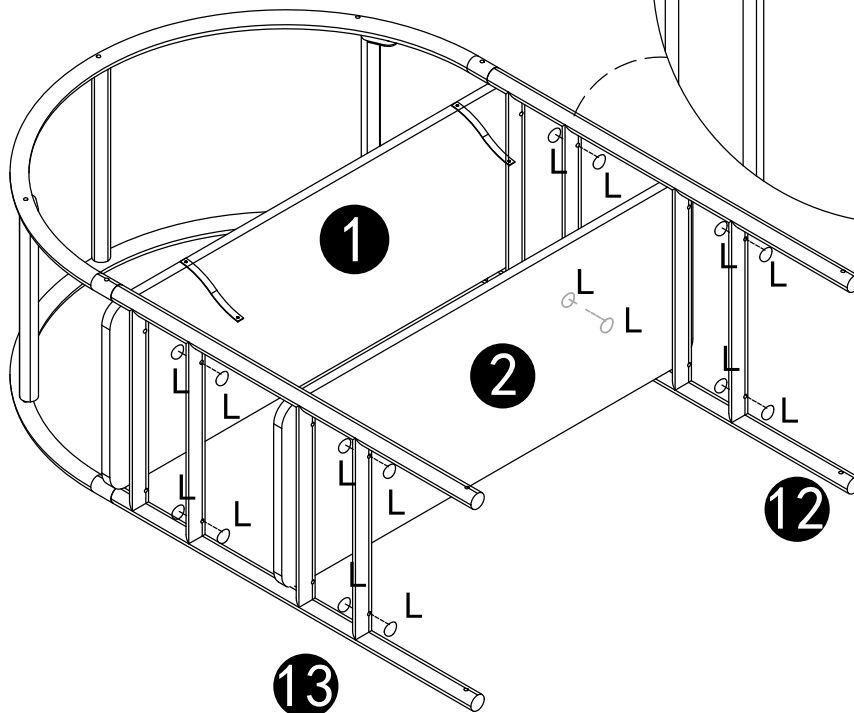


Assembly Instructions

STEP 14

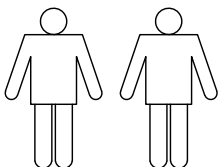
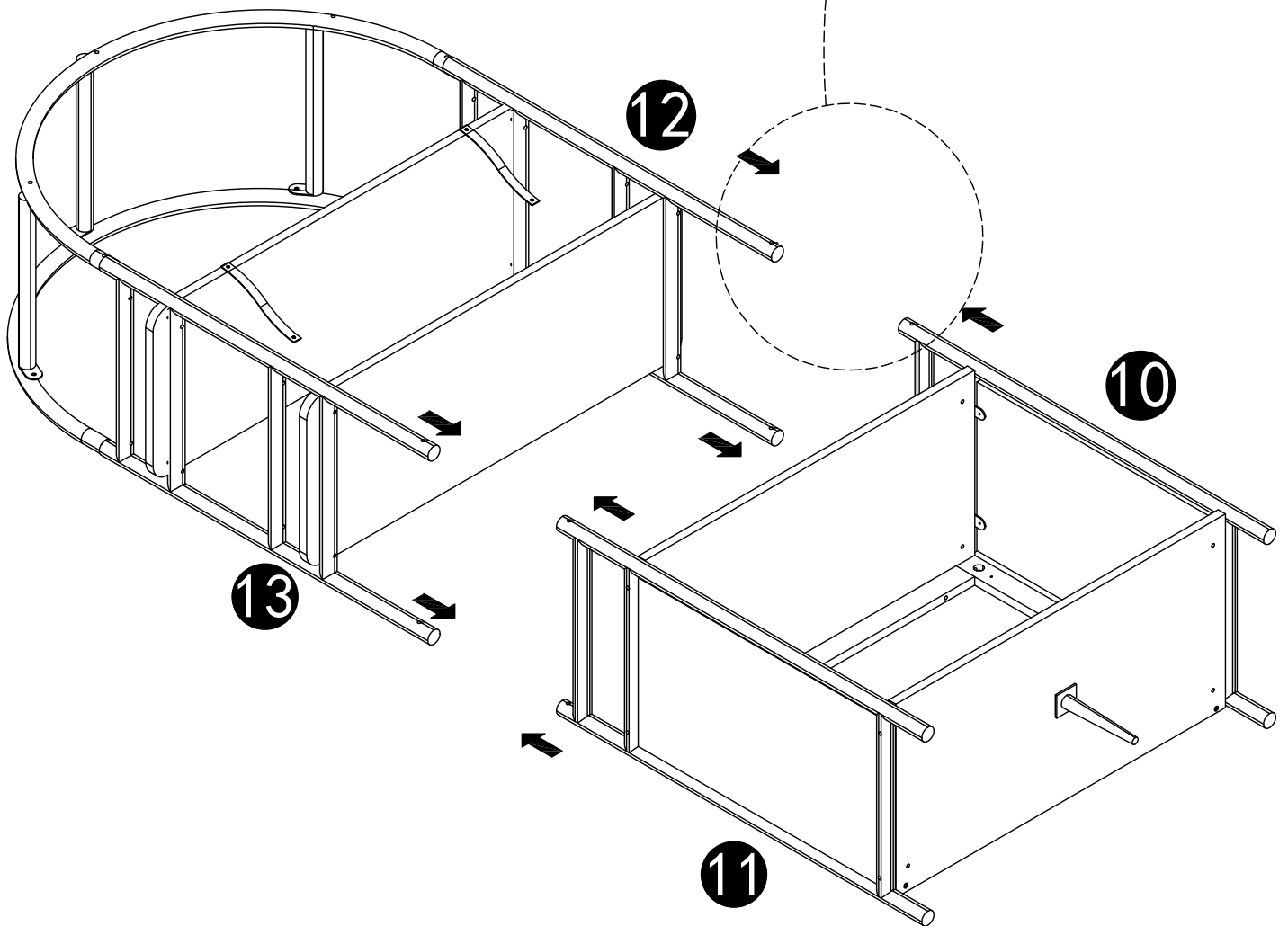
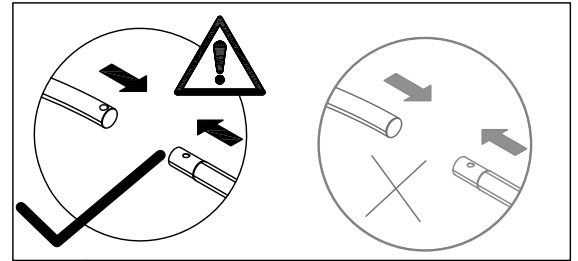


or



Assembly Instructions

STEP 15

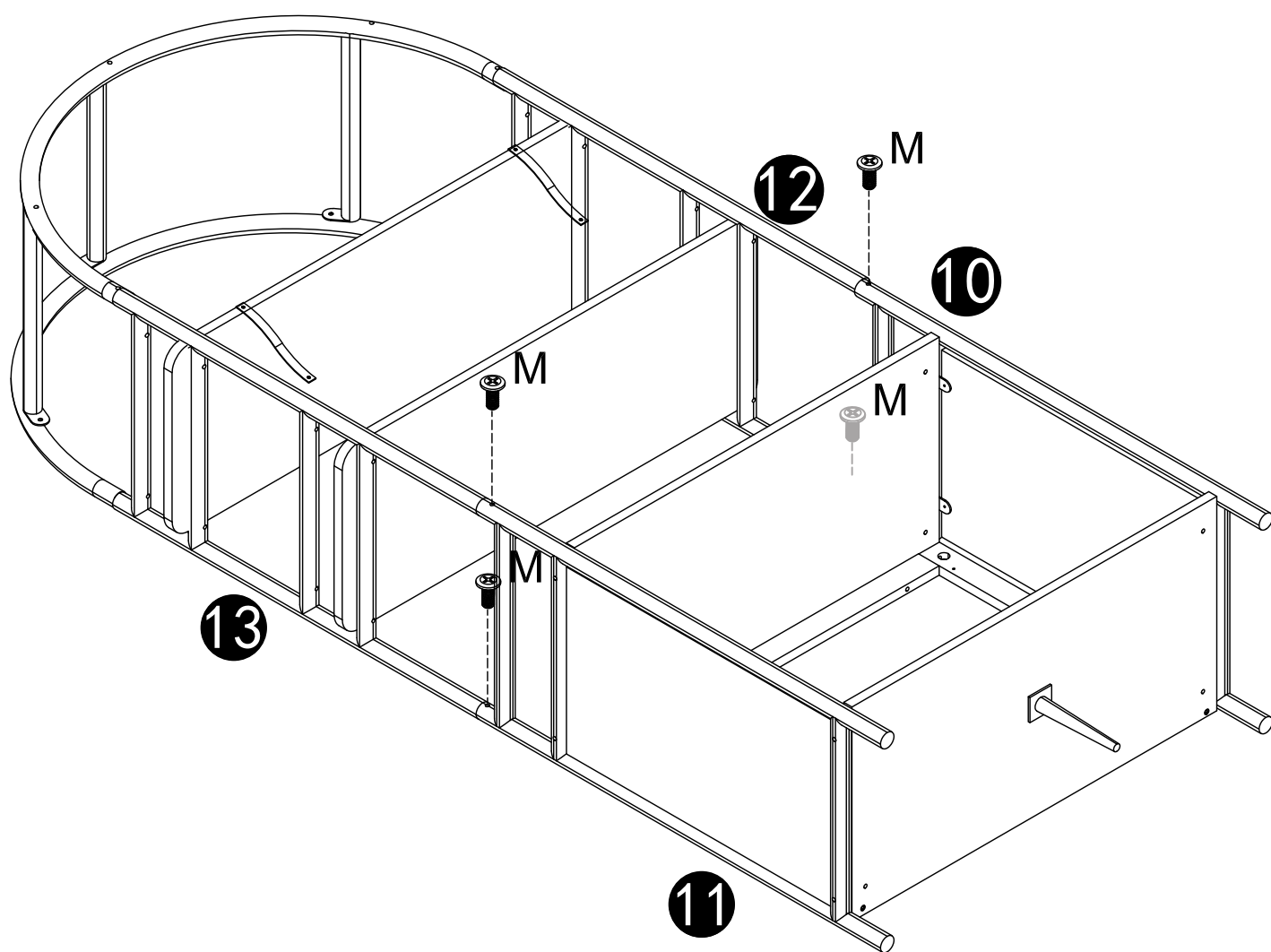


Assembly Instructions

STEP 16



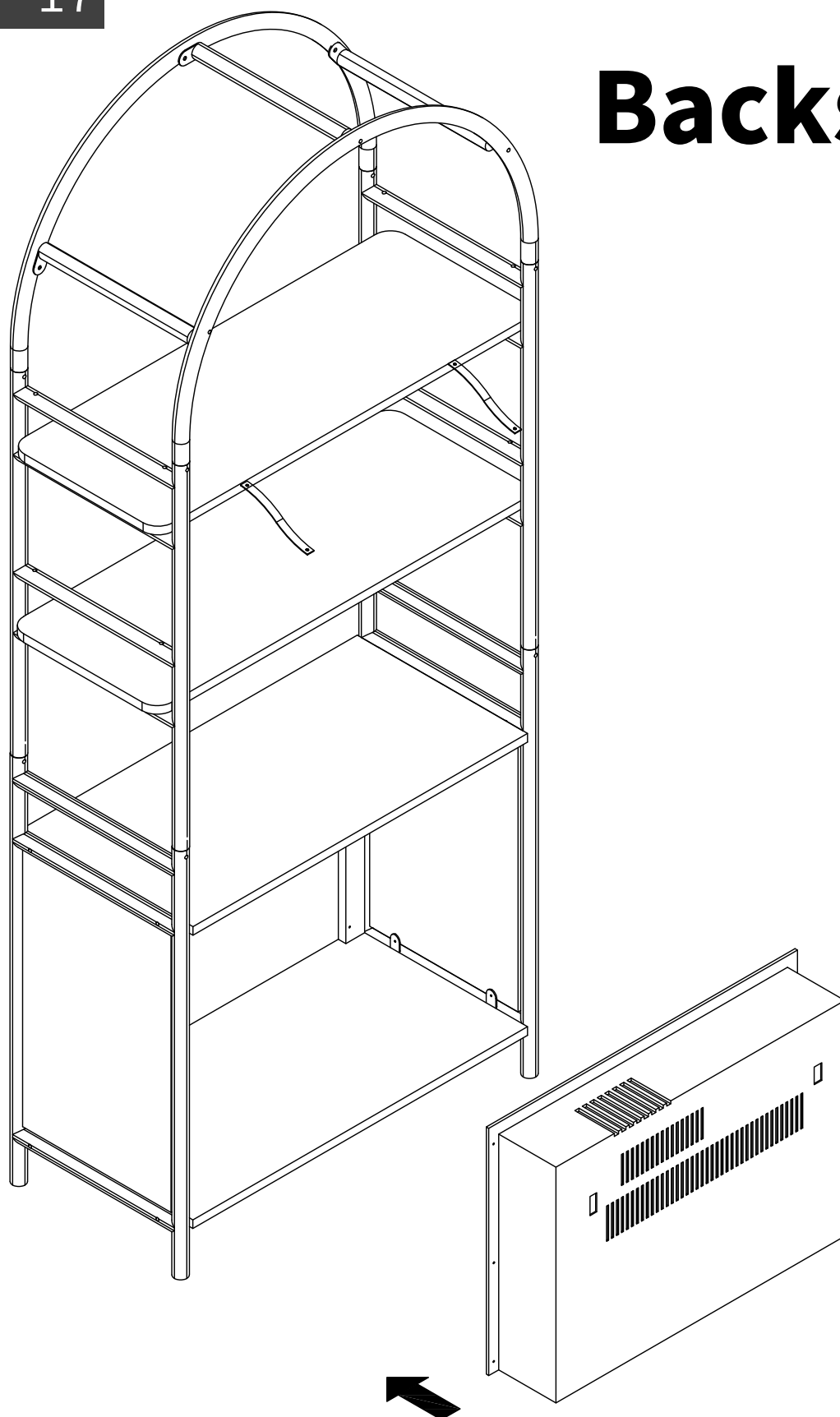
M*4



Assembly Instructions

STEP 17

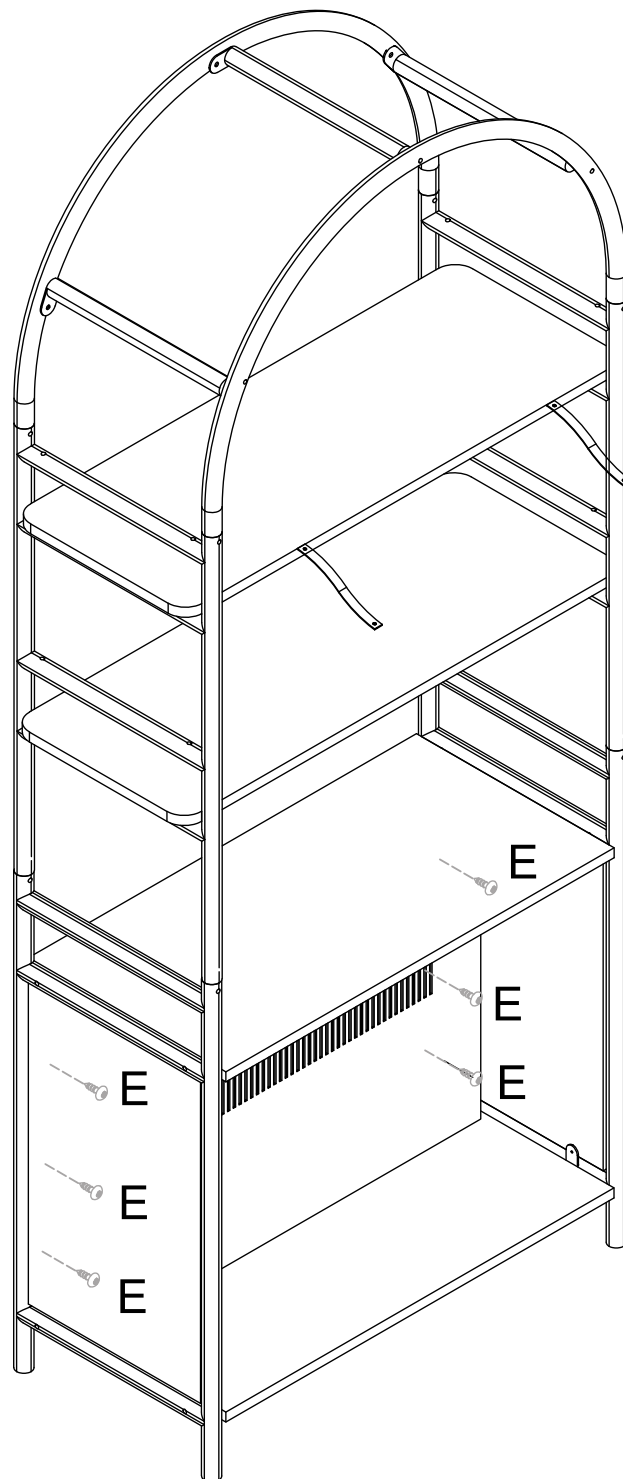
Backside



Assembly Instructions

STEP 18

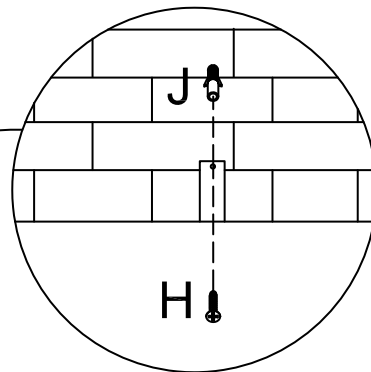
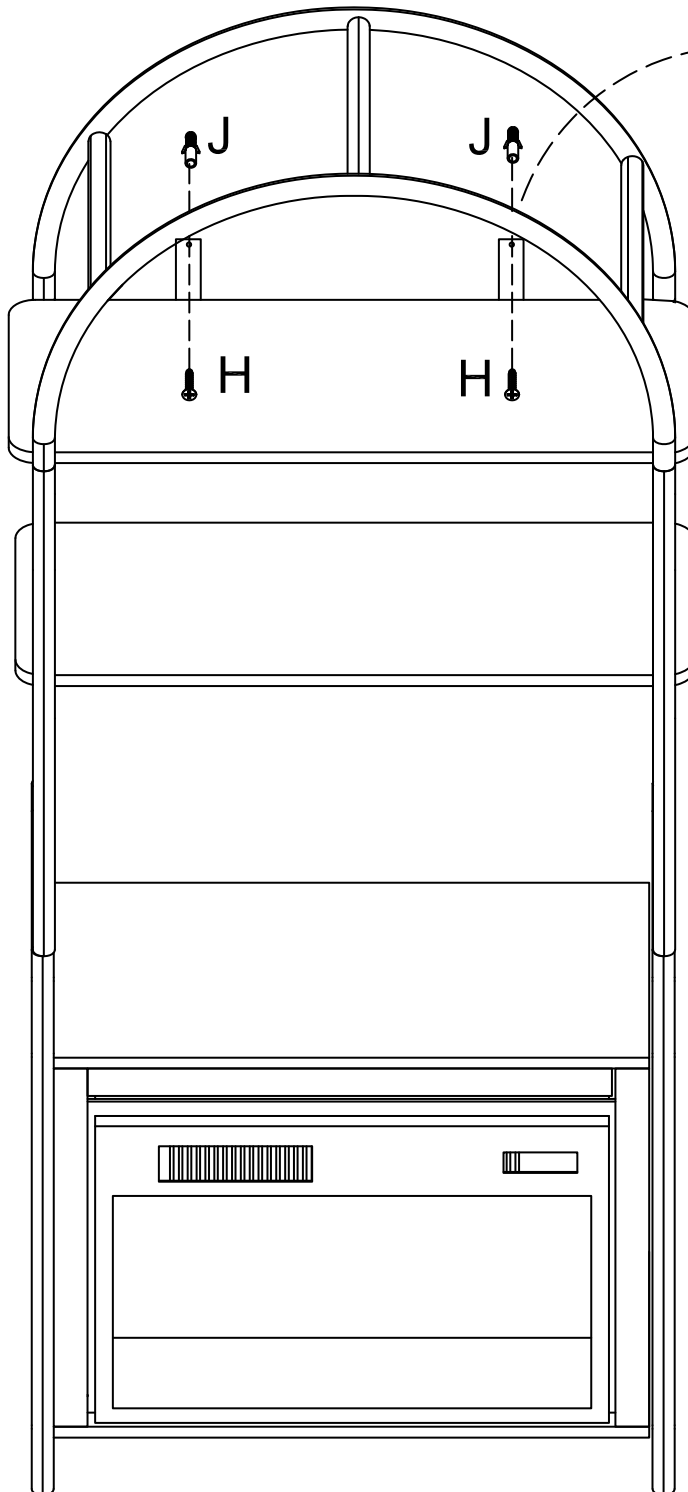
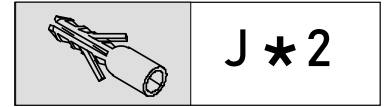
Slide the fireplace assembly in from the rear and push it until it rests firmly against the front bracket. Secure the fireplace assembly to the bracket using the designated screw holes.



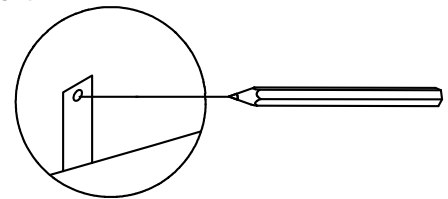
Assembly Instructions

STEP 19

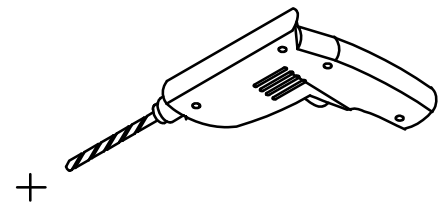
WALL



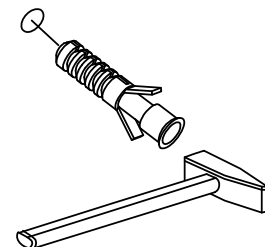
1: Mark the hole positions with a pencil



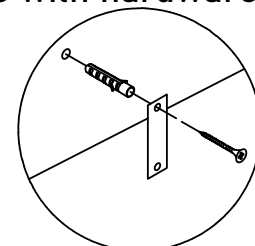
2: Drill the holes with an impact drill



3: Hammer in hardware J

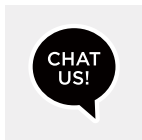


4: Secure with hardware H.



HELP CENTER

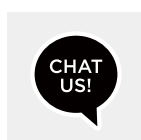
Question about your product? We're here to help. Visit us at:



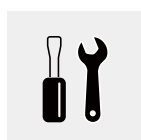
Chat Support



Product inquiry



Orders FAQ



Product Assembly



Returns & Refunds

WE STAND BEHIND THE QUALITY OF OUR FURNITURE

1. If you have any issues with your item, please let us know! We will always do our best to come up with a solution that you will be happy with.
2. Please get in touch with our customer service team before returning the product.
3. And please do not throw away the original box(es) if you have not finished assembling and confirmed no quality issues.

Length of return period:

You can return items within 30 days of purchase. In the meanwhile, everything you purchased from us comes with a one-year warranty.

Who is responsible for the return shipping fee:

We will cover the return shipping fees if:

1. Your item has a manufacturing defect in materials or workmanship. For example, torn wicker or misaligned screw holes. We will send you a prepaid shipping label after you send us photos or videos of the defect.
2. Your item has been damaged in transit. For example, glass is broken or product is damaged. We will send you a prepaid shipping label after you send us photos of the damage.
3. You receive the wrong box(es) due to a warehouse error. We will send you a prepaid shipping label after you send us photos of the wrong SKU numbers on the outer box(es).
4. One or more boxes are lost in transit. We will send you a prepaid shipping label if you no longer want the item.

* However, we still hope to work with you for a better solution instead of a return. Please don't hesitate to contact our customer service team.

Customer will cover the return shipping fees if:

- 1.You don't like the product(s) after receiving the box(es).
- 2.You no longer need the product(s) but have received the box(es).
- 3.You buy the product(s) by mistake but have received the box(es).
- 4.Order/shipment cancellation failed, and you have received the box(es).

Return Request

In order to get a full refund as described in this return policy, all items must be:

- 1.In a brand new/unused condition.

Please provide photos before and after packaging.

- 2.When returning, all accessories and parts must be firmly packed in all original packaging. If your return does not meet these requirements, you may not receive a full refund.

When will I be refunded?

The refund is issued once the goods have been returned to our warehouse.

What if the product is damaged/defective outside of the valid return period?

We want you to be a happy customer. Please reach out to us via email, and we will work on a solution to ensure your satisfaction.

After Sales Service

If any problem occurs, you can check the manual for troubleshooting in detail, or contact to our customer service.

To contact authorized seller, please following steps:

Step1	Go to Your Orders. Find your order in the list.
Step2	Click "Ask a question". (Or go to the product detail page, select the name of the seller. On the next page, select "Ask a Question").
Step3	Select the product and tap "Other" options in the Seller Messaging Assistant chat.
Step4	Send the message to us for after-sales support.

We always work hard to serve you and provide you a better customer experience. Customer service:

Please attach follow purchase info in the message:

Order ID:

Model:

Purchase Date:

Buyer Name:

Please feel free to send us the text. We will reply to you within 24 hours. Also please feel free to contact us if you have received the defective items.