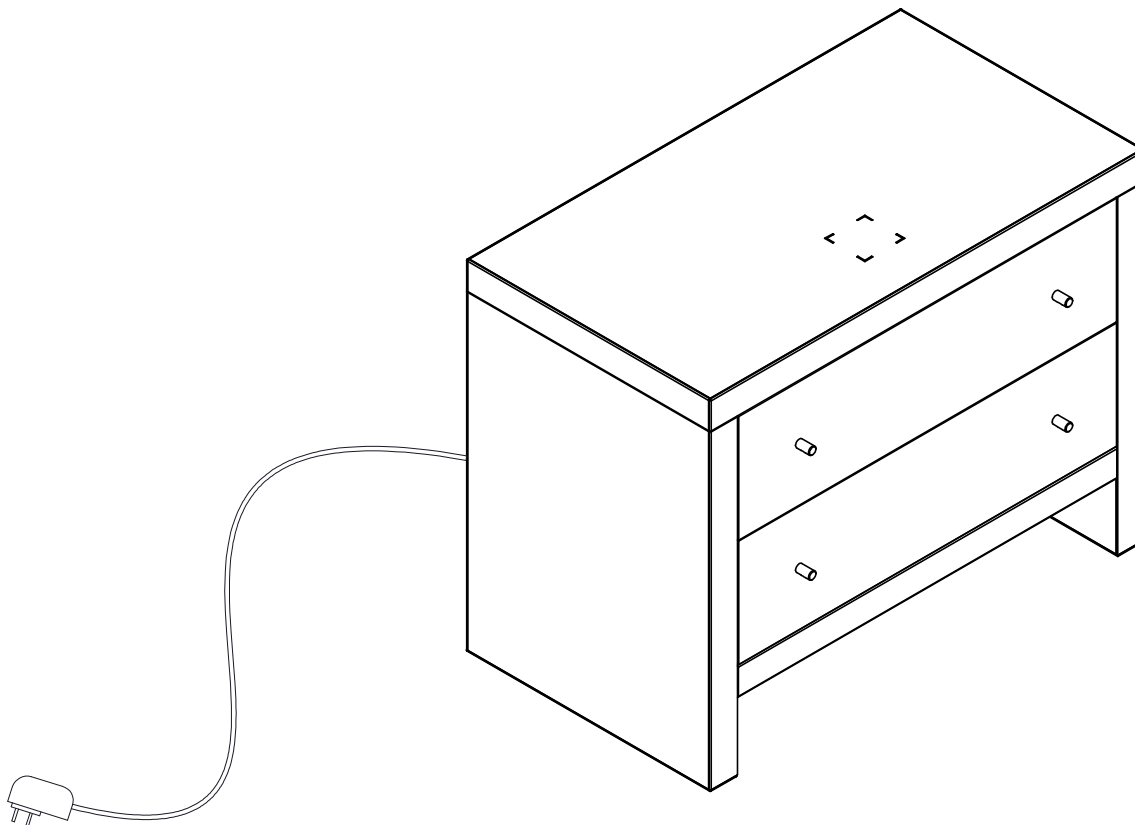
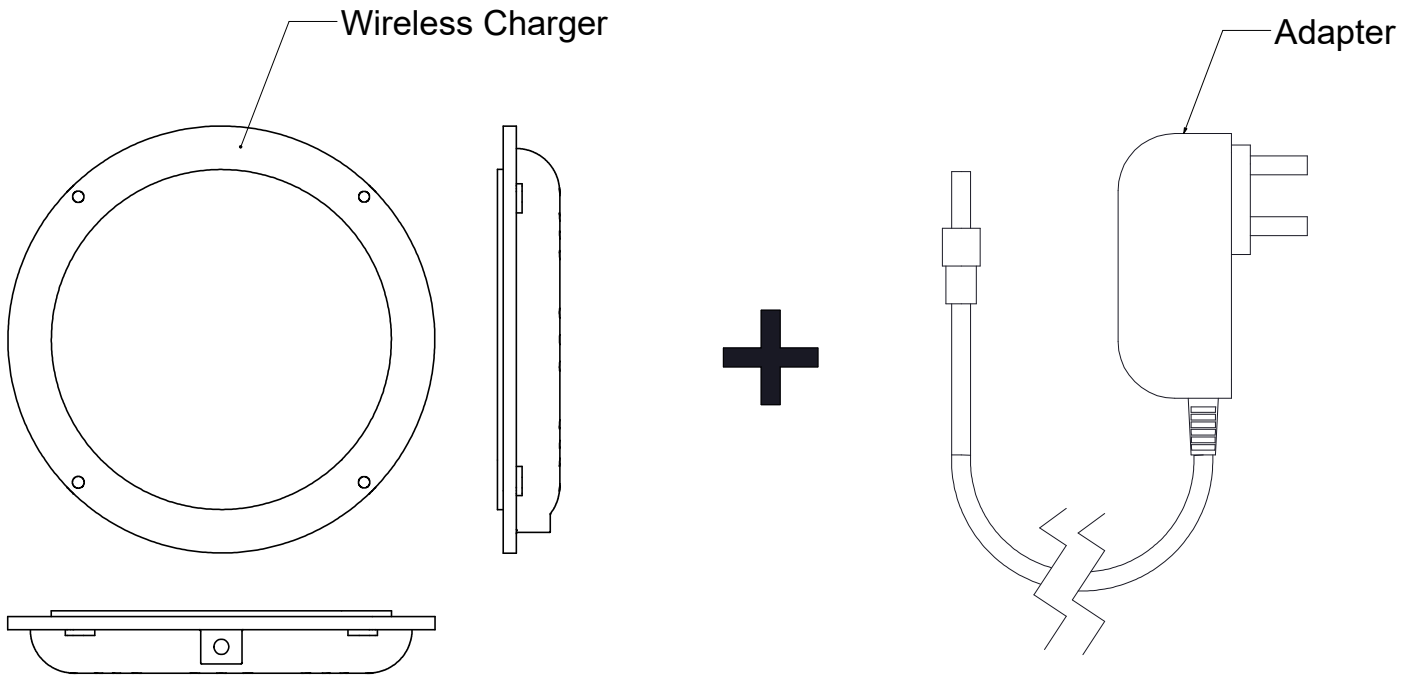


ASSEMBLY INSTRUCTION WIRELESS CHARGER FOR MODEL: NIGHTSTAND

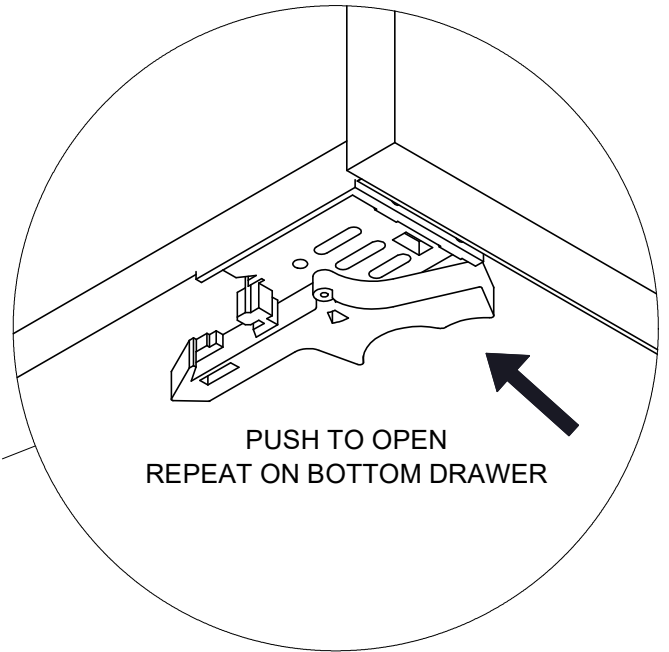
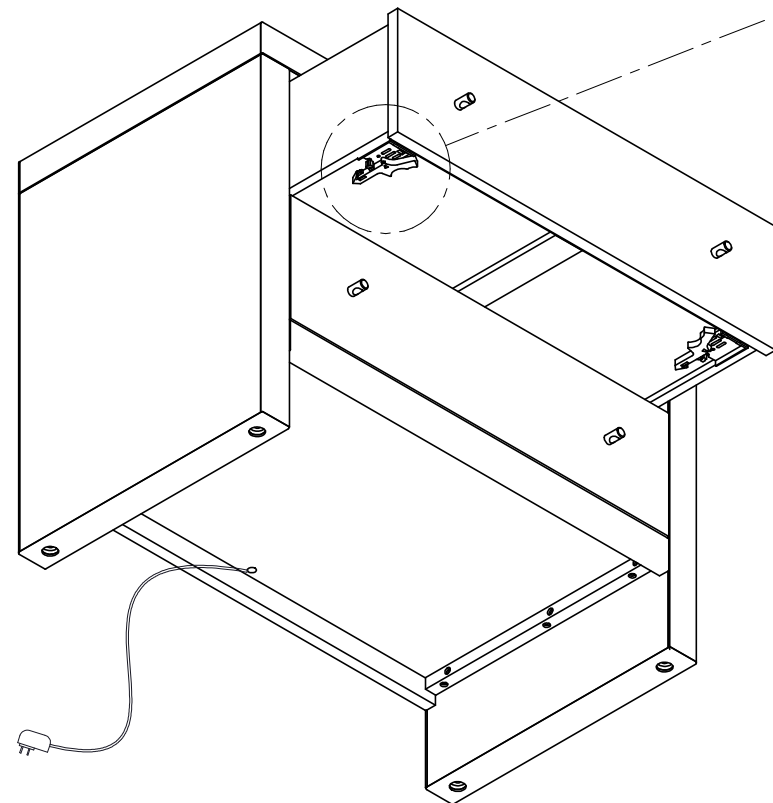
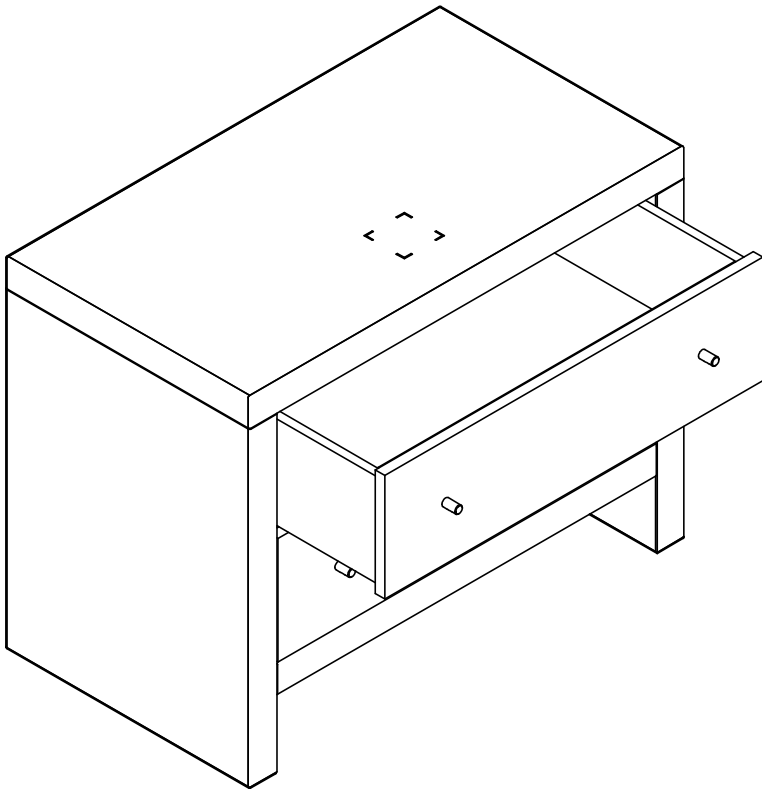
Thank you for purchasing this product. Be sure to check all packing material carefully for small Hardware which may have come loose inside the carton during shipment. Identify and count all hardware and compare with the hardware list below

HARDWARE LIST

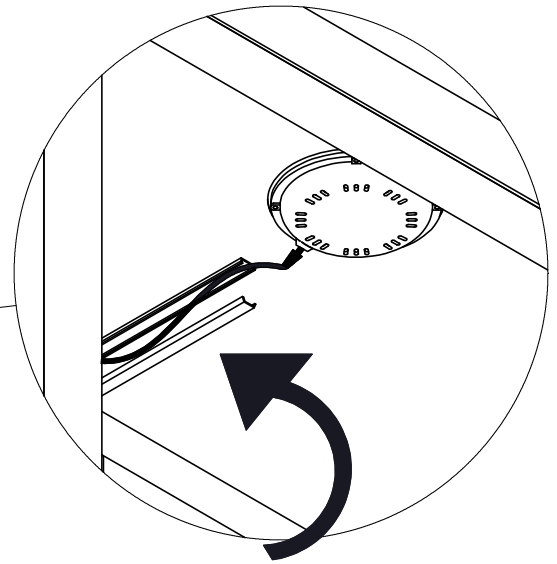
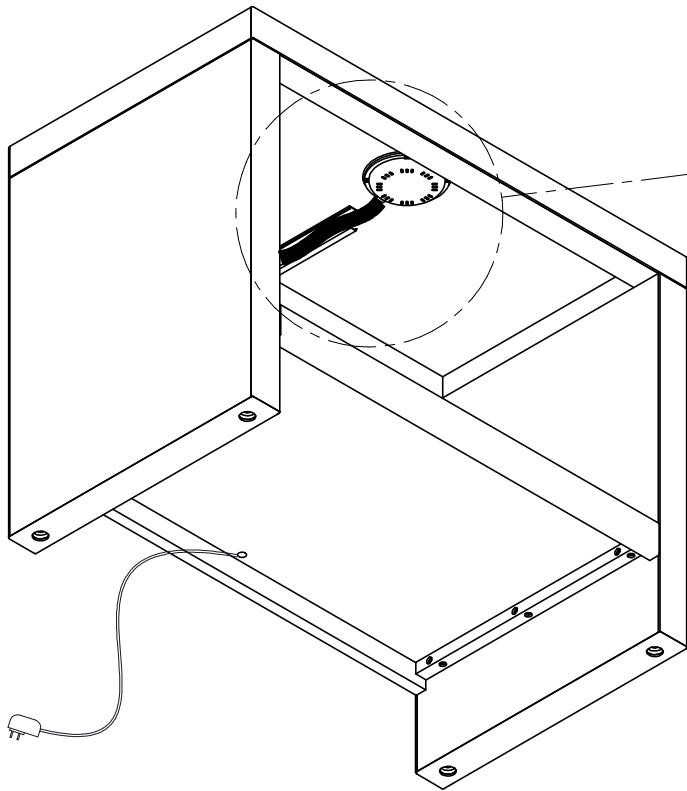
A	Wireless Charger	1Set
---	------------------	------



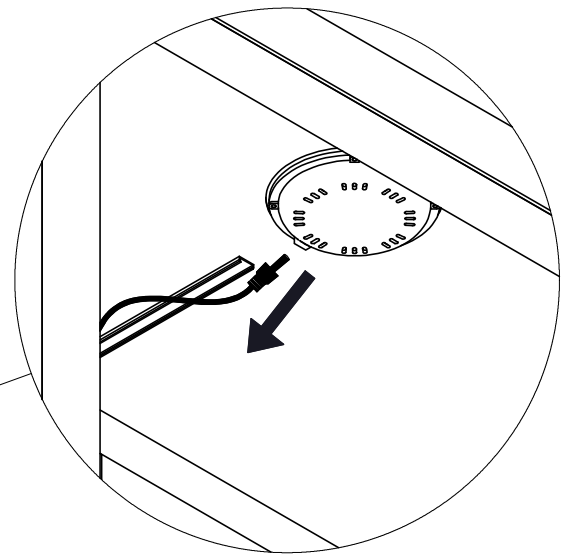
STEP 1 HOW TO RELEASE WIRELESS CHARGER



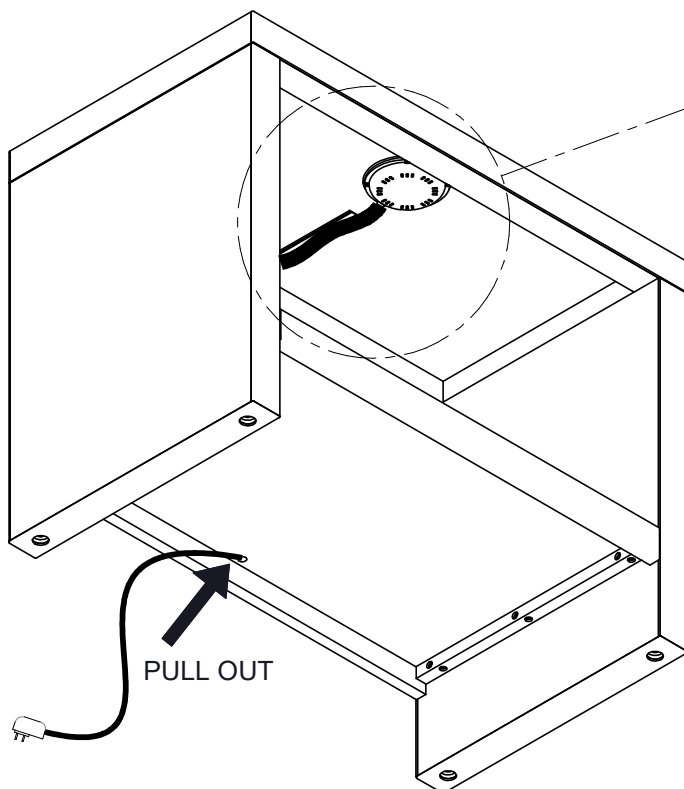
STEP 2



OPEN THE DUCT CABLE COVER
REPEAT ON BACK THE DUCT CABEL COVER

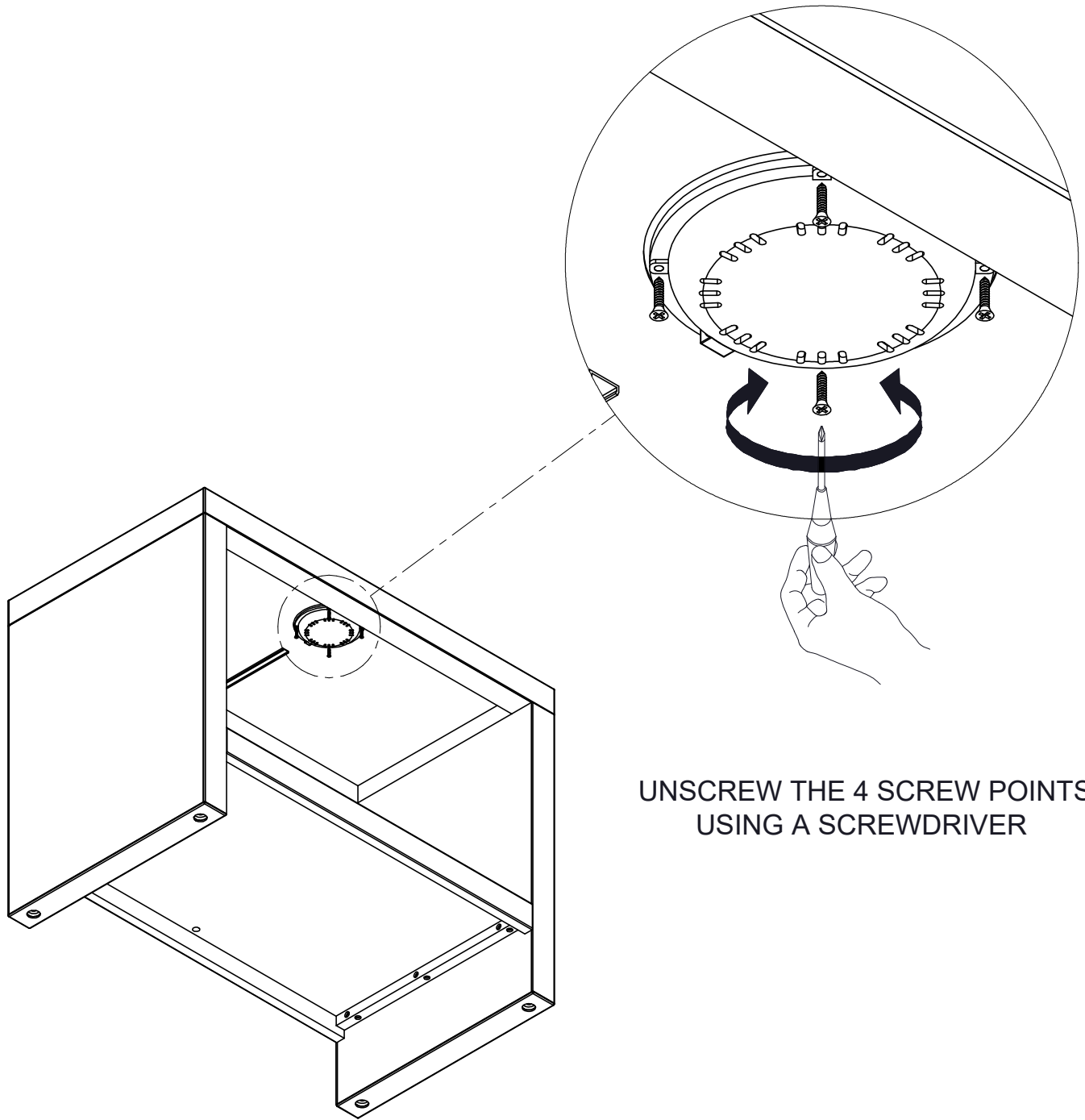


PLEASE RELEASE
THE CHARGER AND ADAPTOR



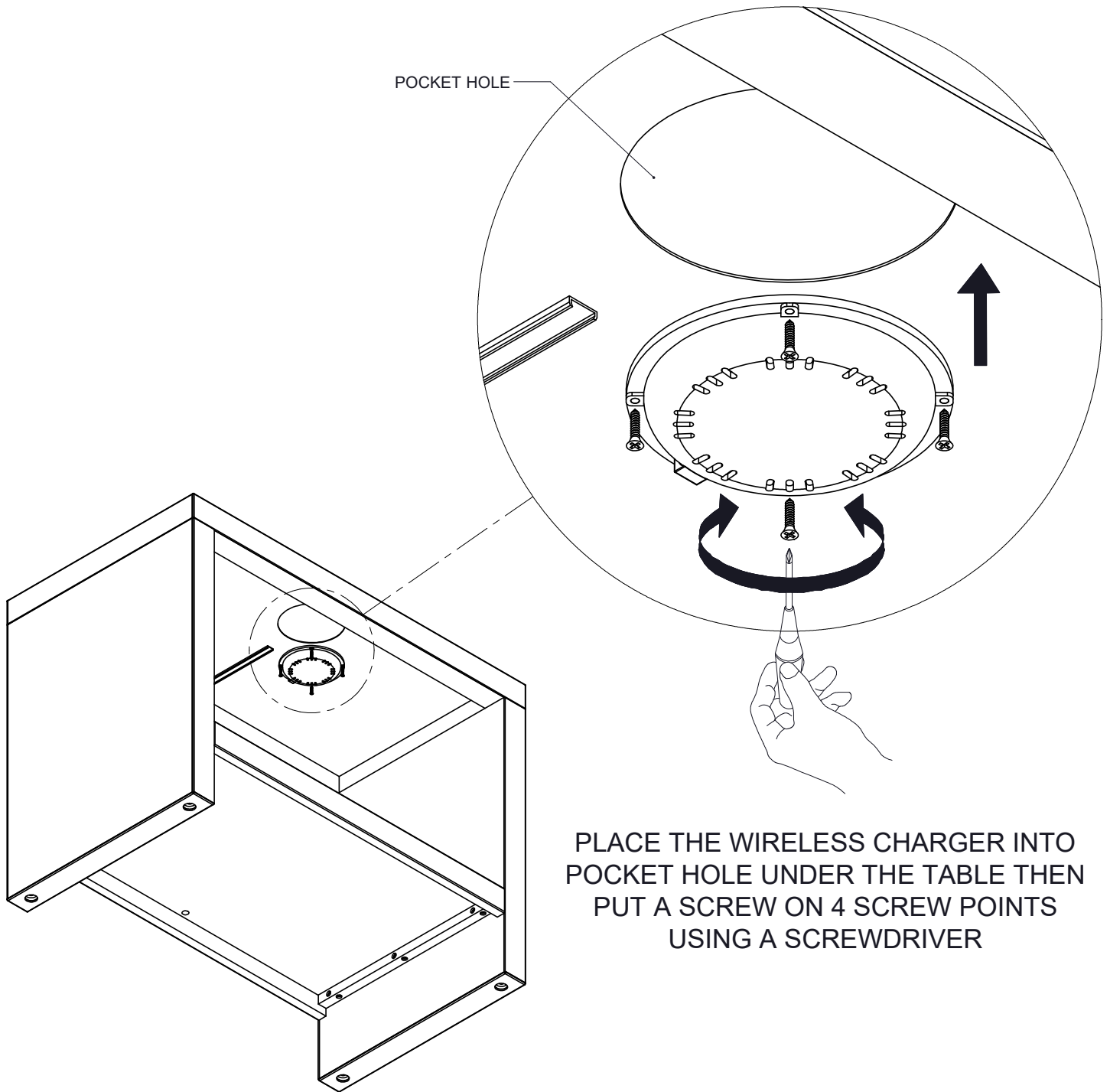
PULL OUT

STEP 3

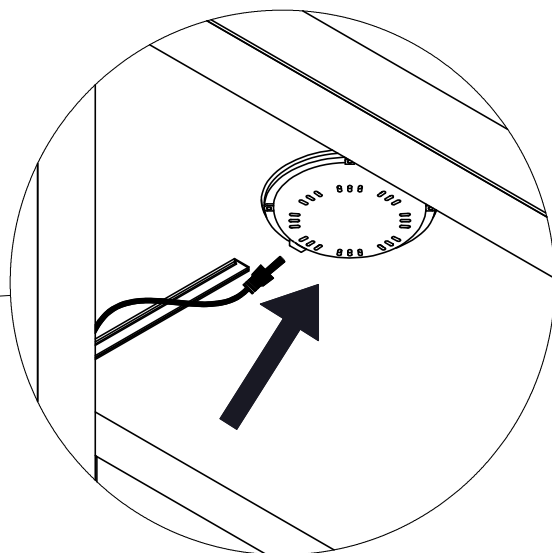
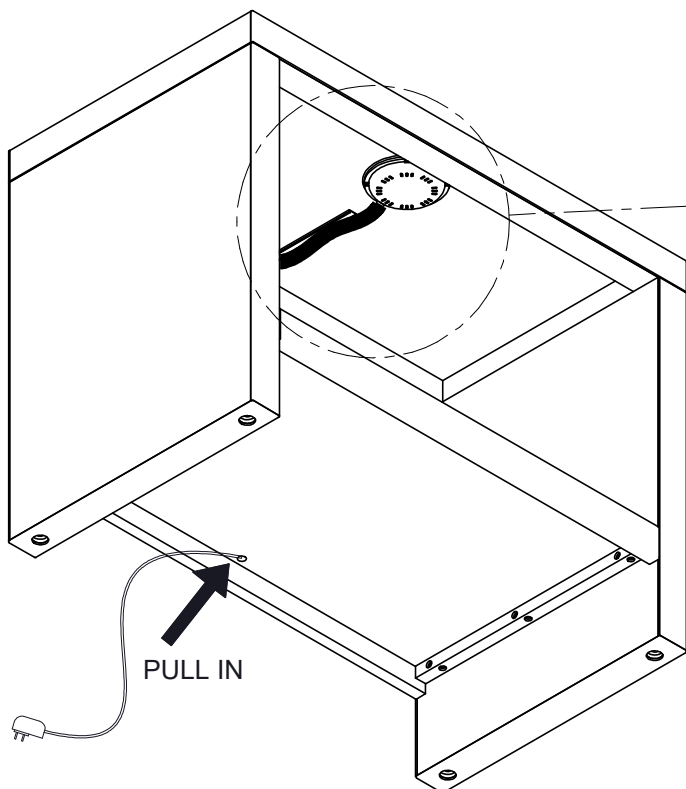


UNSCREW THE 4 SCREW POINTS
USING A SCREWDRIVER

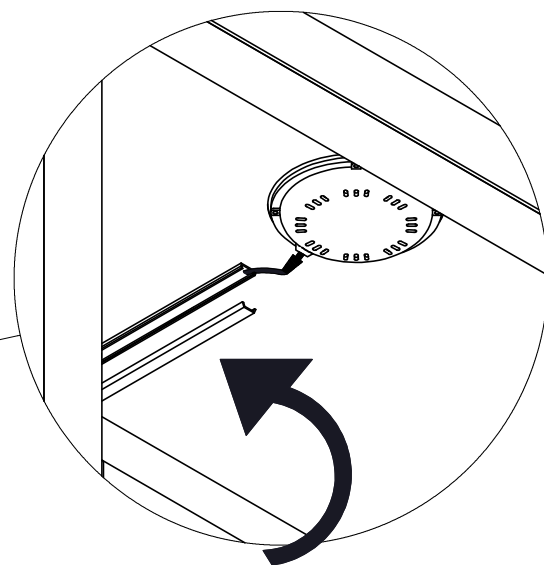
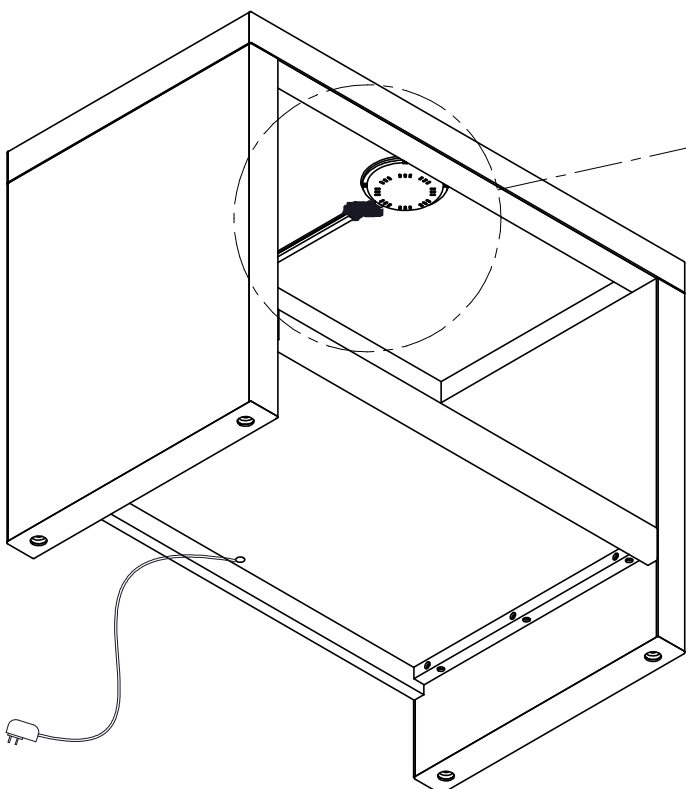
STEP 4 HOW TO INSTALL WIRELESS CHARGER



STEP 5

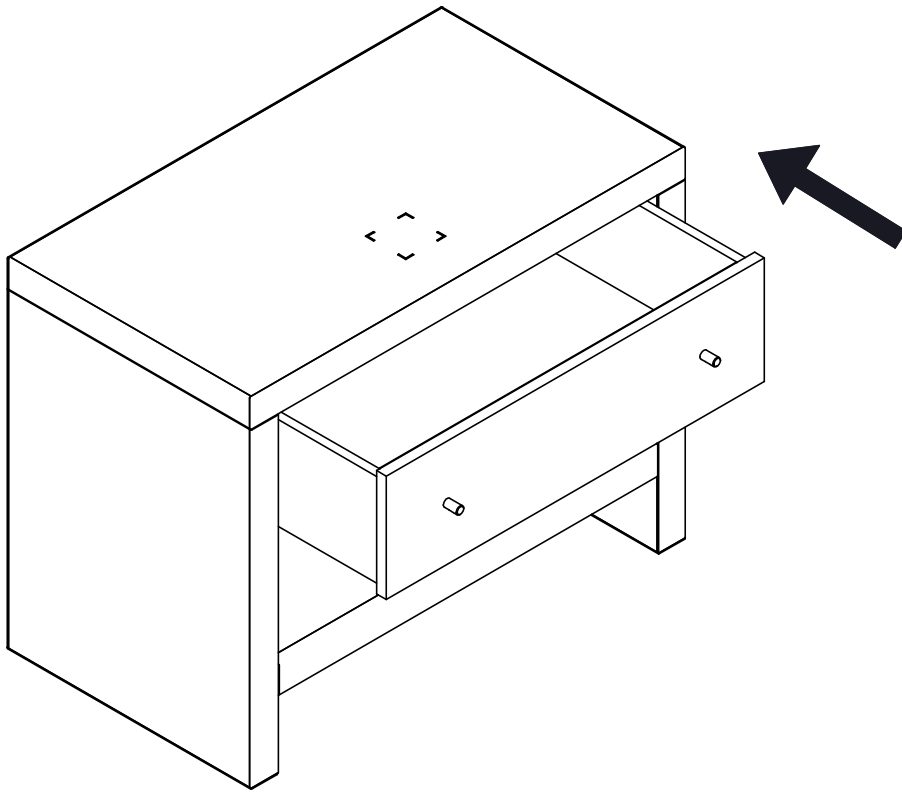


INSTALL
THE CHARGER AND ADAPTOR



INSTALL THE DUCT CABLE COVER
REPEAT ON BACK THE DUCT CABEL COVER

STEP 6



PUSH TO CLOSE
REPEAT ON BOTTOM DRAWER