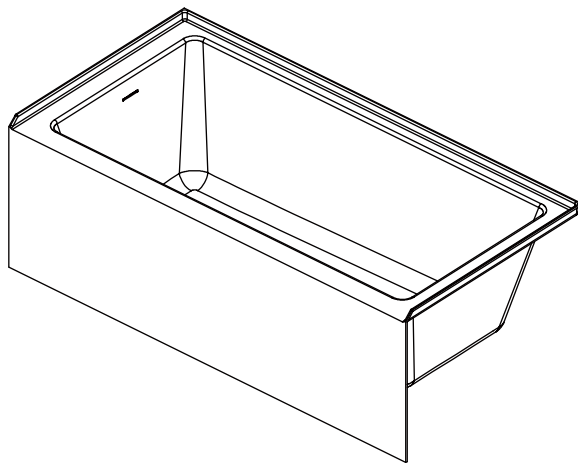


Bathtub Installation Instructions

(Acrylic)



This bathtub manual must be given to the user along with the bathtub.
This warranty is only valid if installed by a professional installer following
the steps in the instructions.



Precautions Before and After Installation

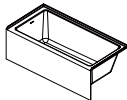
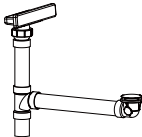


1. Please check the product for completeness and possible damage immediately after receiving the goods (see the parts list on page 02 for details).
2. Inform us immediately if any damage occurs after receiving the goods, we are not responsible for any damage incurred during or after installation.
3. You will need at least two people to install this product properly.
4. Install the bath on an adequately supported, level floor.
5. Before installation, ensure proper access to the final plumbing connections.
6. Please check the door width before starting work, and whether the purchased bathtub can safely pass through the door of the room where the bathtub will be installed.
7. Be careful not to use hoses or mounting parts when handling the tub.
8. Do not lay any circuit under the bathtub. Please use a suitable protective cover during installation to avoid damage to the product surface or internal blockage due to falling debris or dust during installation.
9. Check the waterproofness of the bathtub. After connecting the water supply and drainage pipes, you must test the water in the bathtub to check whether there is any water leakage.
10. Special precautions: When cleaning tiles, make sure that no ammonia or similar aggressive cleaning agents come into contact with the installed parts.

Note: We reserve the right to modify or change this product without prior notice.

Parts List



After unpacking, please confirm the parts and quantity according to the following contents.

Product Name	Bathtub	Side Drain Fittings	Installation Instructions	Supporting Wooden Boards
Quantity	1	1	1	2
Schematic Diagram				

Installation Requirements

A. Tools Required(Not Included)



Wrench



Tape measure



Spirit level



Safety shoes



Square ruler



Screwdriver



Pliers



Utility knife



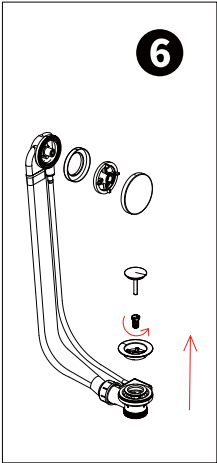
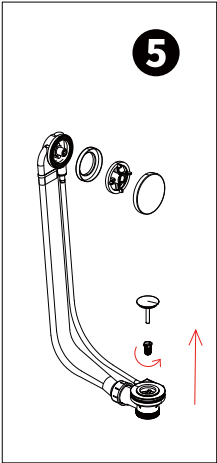
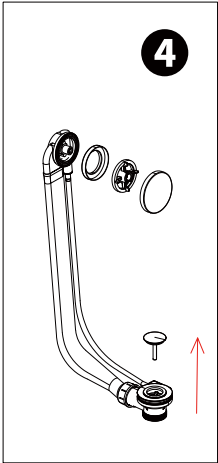
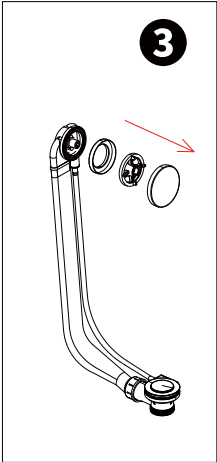
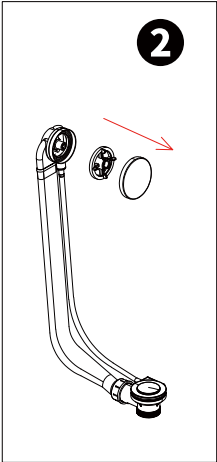
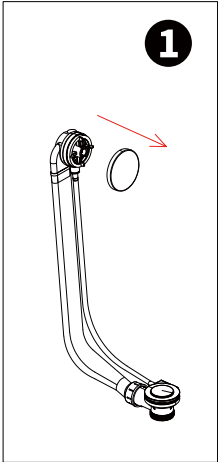
Safety glasses

B. Materials Required(Not Included)

- Plumbing putty
- Wall protector
- Sealing silicone
- Protective covering for the bathtub

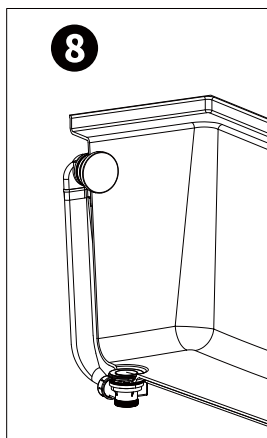
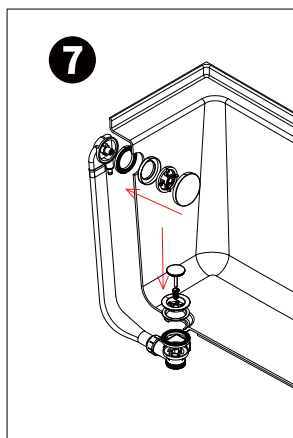
Installation Steps

Follow the steps below to disassemble the drain fitting.

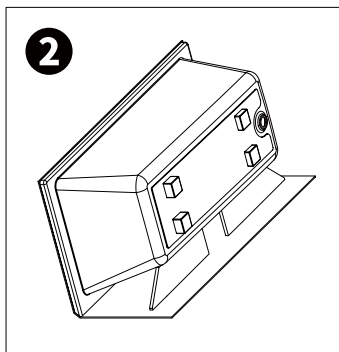
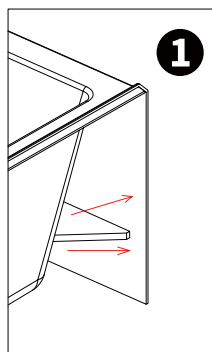


Installation Steps

Follow the steps below to install the drain fitting on the bathtub.

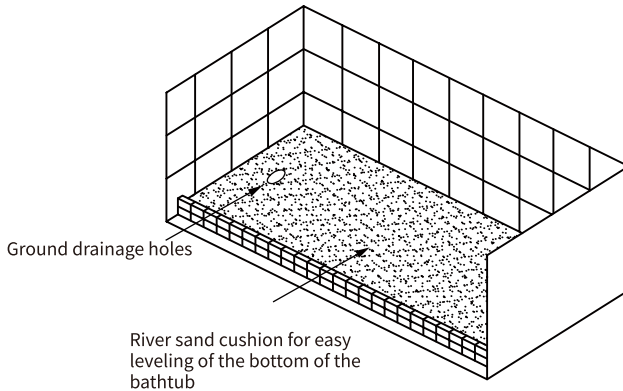


Clip the supporting wooden board onto the skirt of the bathtub to fix it vertically.

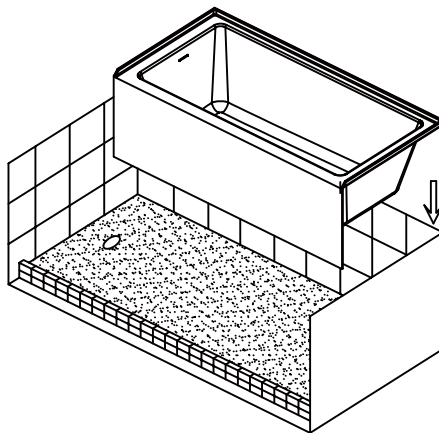


Installation Steps

2. Fill with sand to make it easier for the bathtub to be placed parallel.
Pay attention to the position of the overflow port to be consistent with the position of the bathtub drain.

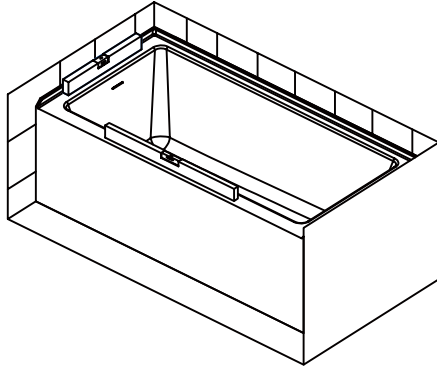


3. Place the bathtub, aligning the bathtub drain with the floor drain.

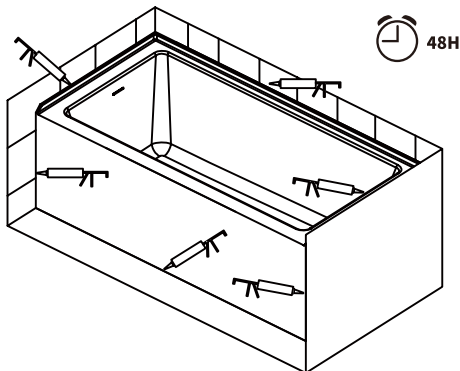


Installation Steps

4. Use a level to level the surface of the bathtub and prevent it from accumulating water due to being uneven.

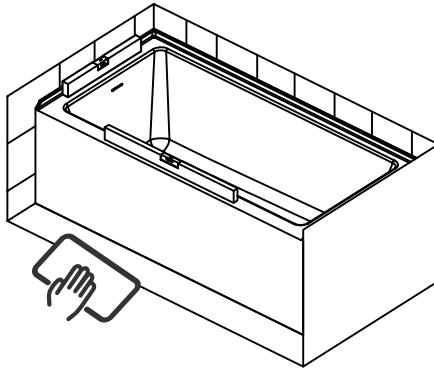


5. Fix the contact surface between the bathtub and the wall with glass glue, and wait for 48 hours for the glass glue to fix before use.



Installation Steps

5. After the installation, please clean the floor, and finally clean the bathtub with a rag dipped in a neutral detergent.



Maintenance

1. Avoid to use coarse cloth, steel wire ball, hundred clean cloth and other hard substances to wipe the bathtub.
2. Avoid to use wear-resistant & high alkaline cleaning products or acid strong alkaline detergent.
3. Use a neutral liquid detergent (such as dish detergent, glass water, etc.) or a soft fabric and sponge.
4. The acrylic bathtub itself has the characteristics of antibacterial and easy cleaning, so it is generally recommended to clean twice a month, which not only can effectively reduce the breeding of bacteria but also let the surface of the bathtub maintain the better cleanliness

After-sales and guarantee

Free maintenance policy

1. During the warranty period, if the user correctly follows the instructions of the installation manual and uses the products of the company, the company will repair the faulty products free of charge.
2. If the damage occurs within the warranty period and needs to be repaired free of charge, please entrust the installation company with this warranty and purchase invoice.
3. During the warranty period, the maintenance of the occasions listed below is not within the scope of free maintenance.
 - Faults and damages caused by improper use or unauthorized repair and modification.
 - Faults and damages caused by inattention or negligence during installation and construction.
 - Faults and damages caused by using this product outside the scope of use.
 - Damage caused by sand or dirt.
 - Dirty, rusted plating parts, etc. caused by improper daily maintenance
 - Failure and damage due to fire, earthquake, flood, lightning strike, and other natural disasters, public hazards, gas hazards (liquefied gas), salt damage, abnormal voltage, and use of an unspecified power supply.
 - Occasions not specified in this warranty.
 - When the user's name, installation company, and purchase date are not filled in this warranty. When the purchase receipt cannot be presented.
4. This warranty will not be replaced if it is lost, please keep it properly.

