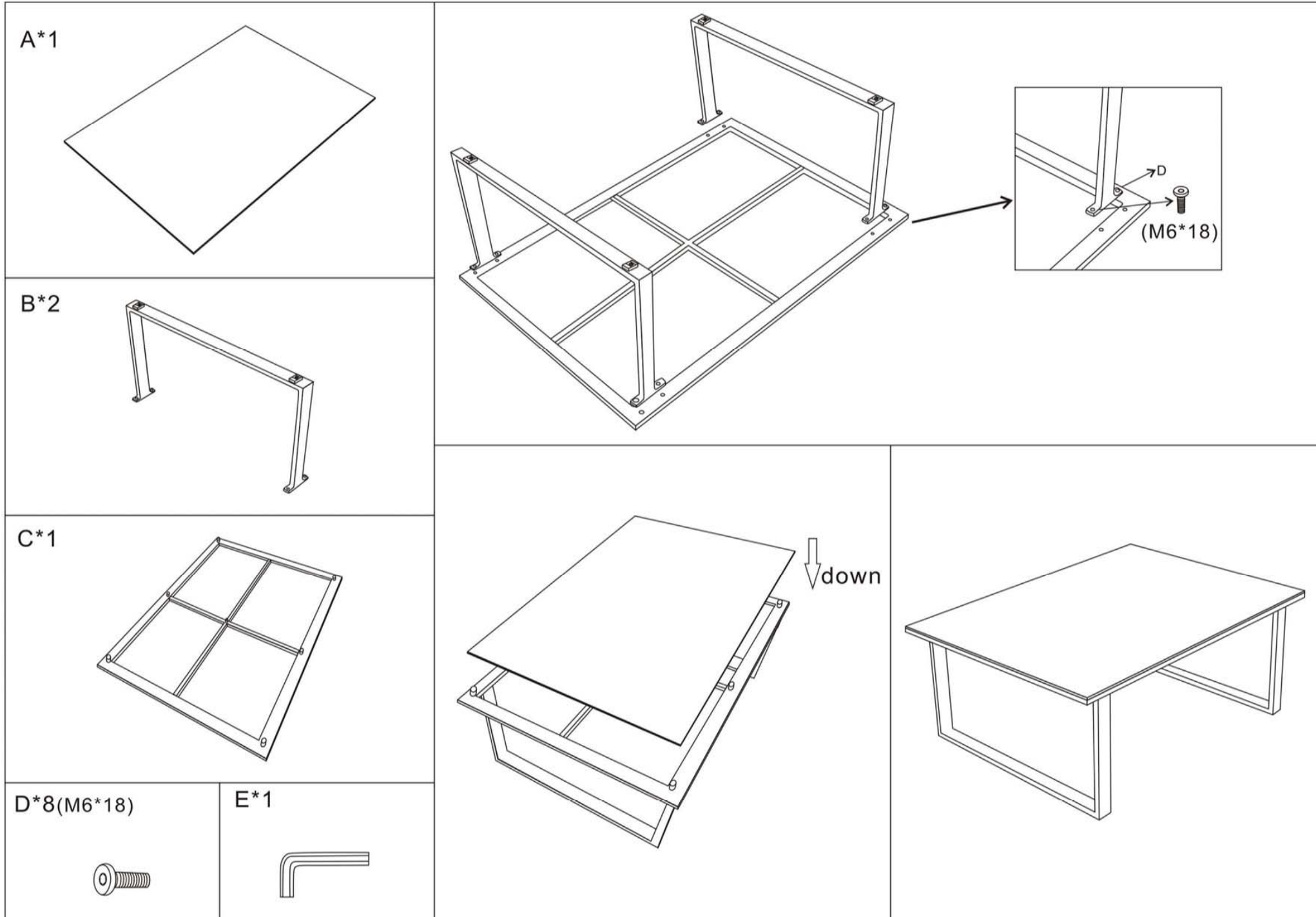
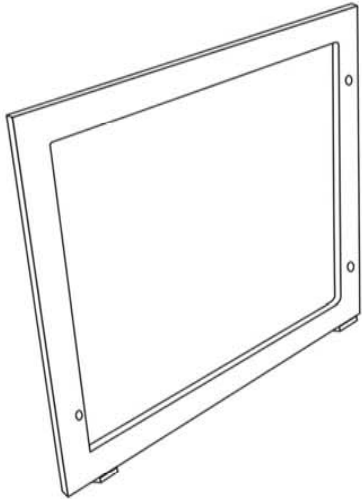


# ASSEMBLY INSTRUCTION

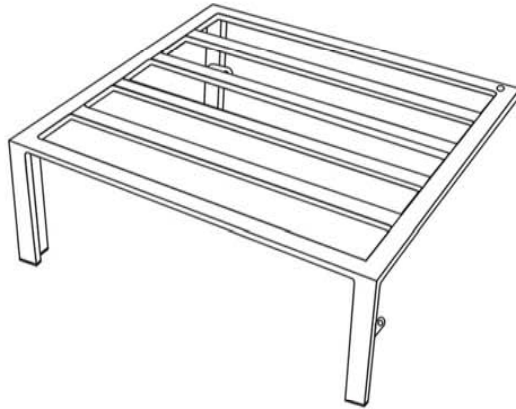


# ASSEMBLY INSTRUCTION

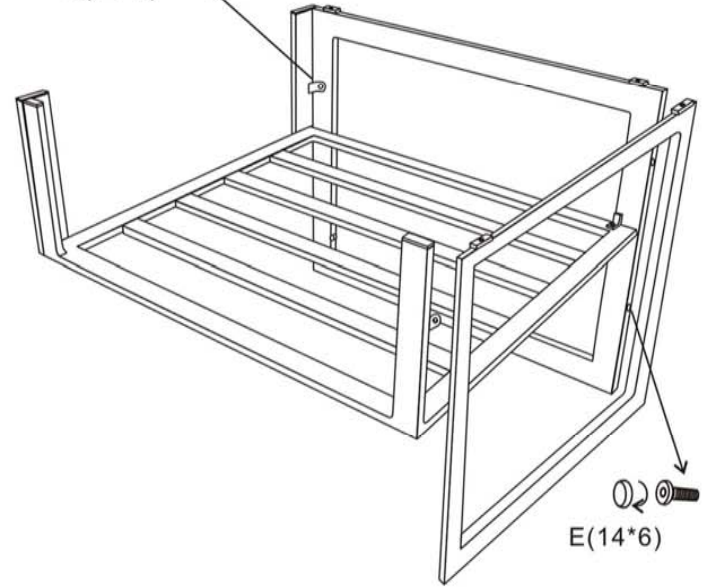
A\*1



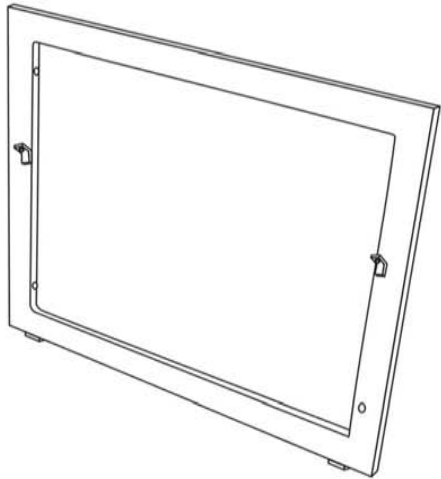
C\*1



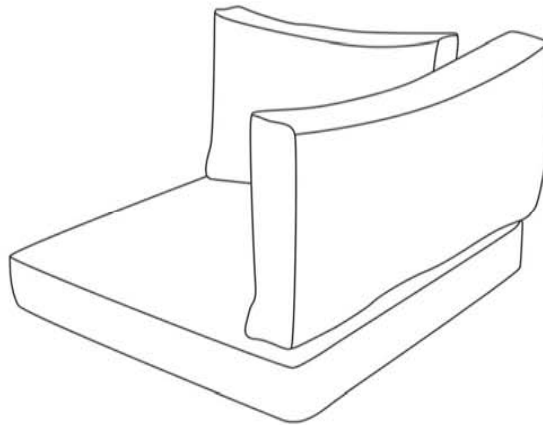
F (M6\*15)  
E(14\*6)



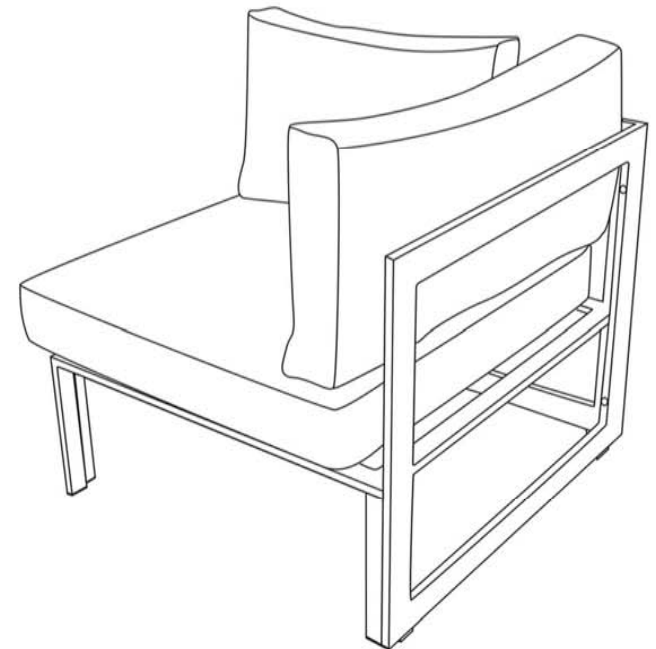
B\*1



D\*1



F (M6\*65)  
E(14\*6)



D\*3 (M6\*15)



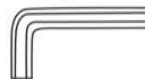
E\*2 (M6\*65)



F\*5(14\*6)

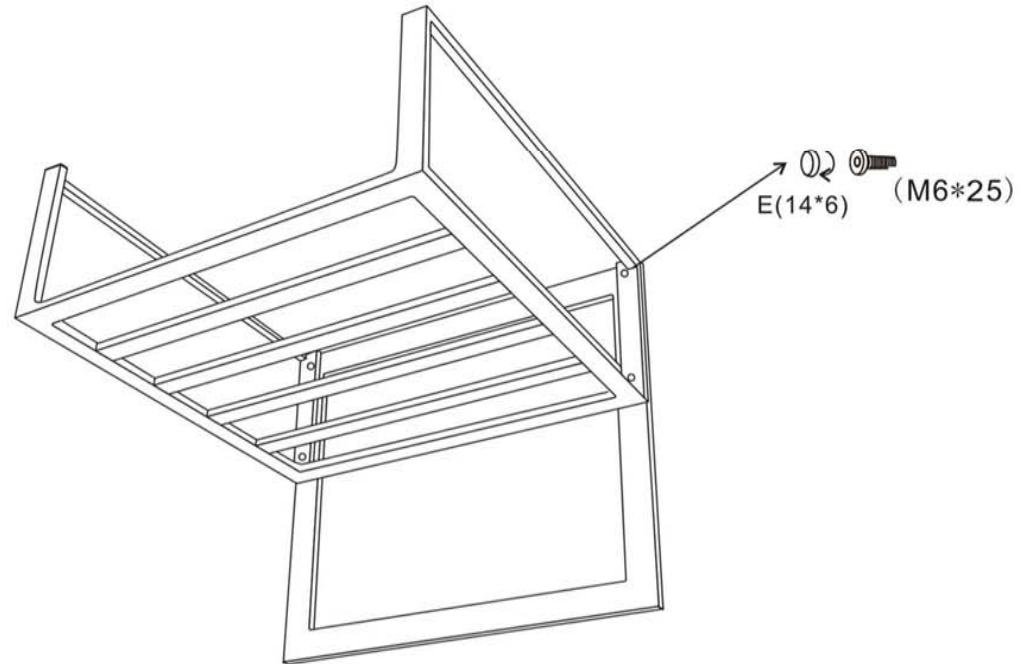
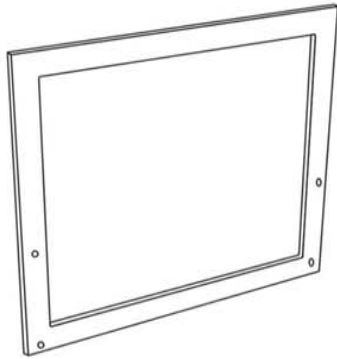


G\*1

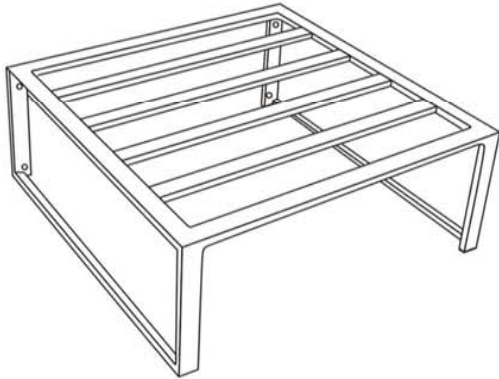


# ASSEMBLY INSTRUCTION

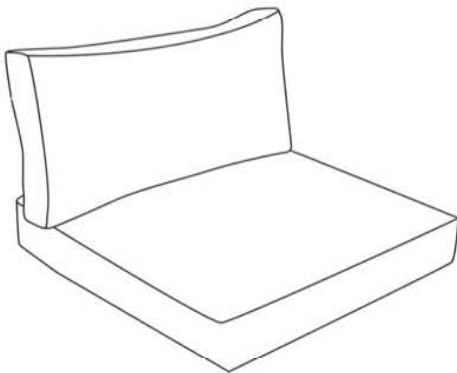
A\*1



B\*1



C\*1



D\*4(M6\*25)



E\*4(14\*6)



F\*1

