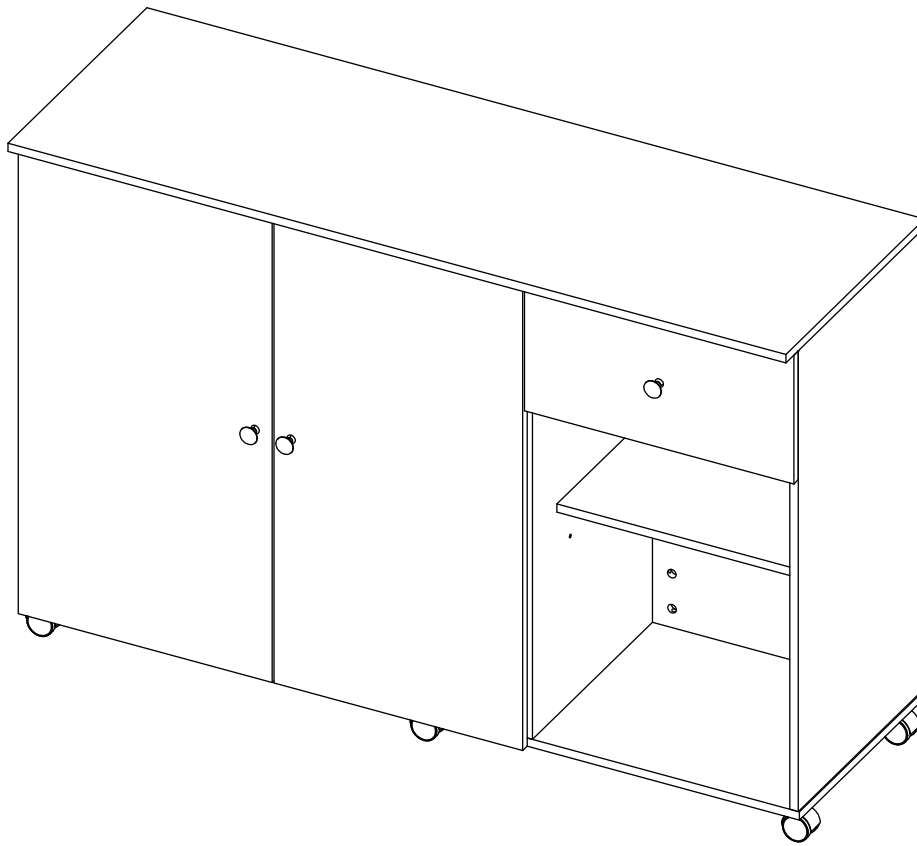


ASSEMBLY INSTRUCTIONS

INSTRUCCIONES DE ENSAMBLE



Height: 36,2 in

Width: 53,4 in

Depth: 18,1 in

Alto: 92 cm

Ancho: 136 cm

Fondo: 46 cm



IMPORTANT RECOMMENDATIONS

Do not paint the cabinet.

The cabinet **MUST** be used exclusively indoors, do not expose to direct sun.

Clean metallic hardware with a dry cloth.

Do **NOT** overload the cabinet (see suggested loads).

Do not hit or hammer the cabinet (just when indicated).

Clean with a slightly damp cloth, use gentle soaps.

Do not drag, lift and move between two people.

Avoid direct contact with water, fire or exposure to heat sources.

RECOMENDACIONES IMPORTANTES

No pintar el mueble.

El mueble debe ser usado únicamente en interiores, no exponer al sol directo.

Limpiar los herrajes metálicos con un paño seco.

NO sobrecargar el mueble (ver las cargas sugeridas).

No golpear ni martillar el mueble (solo cuando se indique).

Limpiar con un paño ligeramente húmedo, usar jabones suaves.

No arrastre el mueble, levántelo entre dos personas.

Evite el contacto directo con el agua, el fuego o la exposición a fuentes de calor.



WARNING

Never allow children to climb or manipulate the cabinet, furniture tip over can cause serious injuries or death.



ADVERTENCIA

Nunca permita que los niños escalen o manipulen el mueble, la caída de este puede provocar lesiones graves o la muerte.

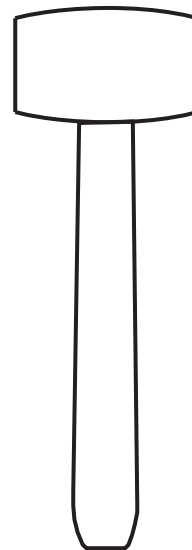
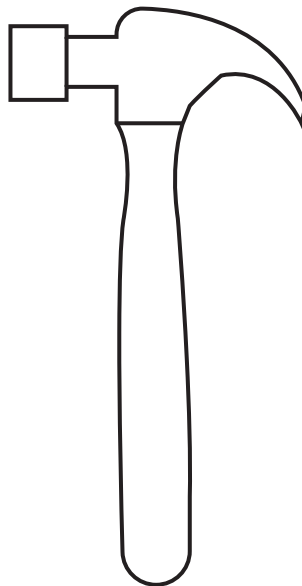
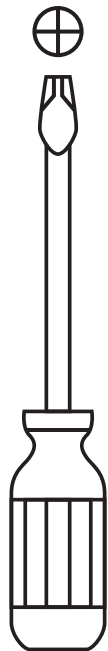
INDEX

ÍNDICE

Assembly Hardware	4	Herrajes para Armado.....	4
Assembly Parts	5	Piezas de Armado.....	5
Suggested Loads.....	6	Cargas Sugeridas.....	6
Assembly Recommendations.....	6	Recomendaciones de Ensamble.....	6
Assembly Steps	7-24	Pasos de Armado.....	7-24
Warranty.....	25	Garantía	25

REQUIRED TOOLS*

HERRAMIENTAS NECESARIAS*



*Not included, and not shown actual size.

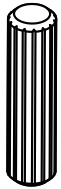
*No incluidas y no se muestran en tamaño real.

ASSEMBLY HARDWARE

HERRAJES PARA ARMADO

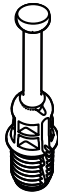
Please check that the hardware content is correct. If any item is missing, please call to our customer service line.

Compruebe que el contenido de los herrajes sea el correcto. En caso de que falte alguna pieza, por favor llame a nuestra línea de atención al cliente.



x62

Wood Dowel
Tarugo



x52

Spreading Bolt
Perno Minifix



x52

Minifix Cams
Minifix



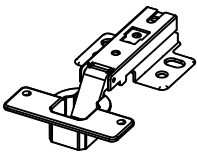
x50

Cover Caps
Tapa Adhesiva
Minifix
(Color 1)



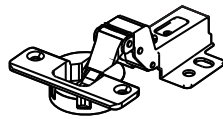
x4

Cover Caps
Tapa Adhesiva
Minifix
(Color 2)



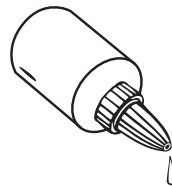
x3

Full Overlay Hinge
(Screws Included)
Bisagra Parche
(Incluye Tornillos)



x3

Half Overlay Hinge
(Screws Included)
Bisagra SemiParche
(Incluye Tornillos)



x3

Glue
Pegante



x28

Sheet Screw
Tornillo Lámina
6X9/16"



x4

Drywall Screw 2"
Tornillo de Ensamble



x2

Brake Wheels Castors
Rodachina con Freno



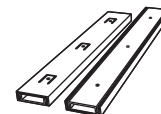
x4

Wheels Castors
Rodachina



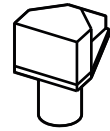
x3

Button Handle
(Screws Included)
Botón
(Incluye Tornillos)



x1

Drawer Slides
(Screws Included)
Riel
(Incluye Tornillos)



x4

Soporte Entrepañó
Shelf support



x2

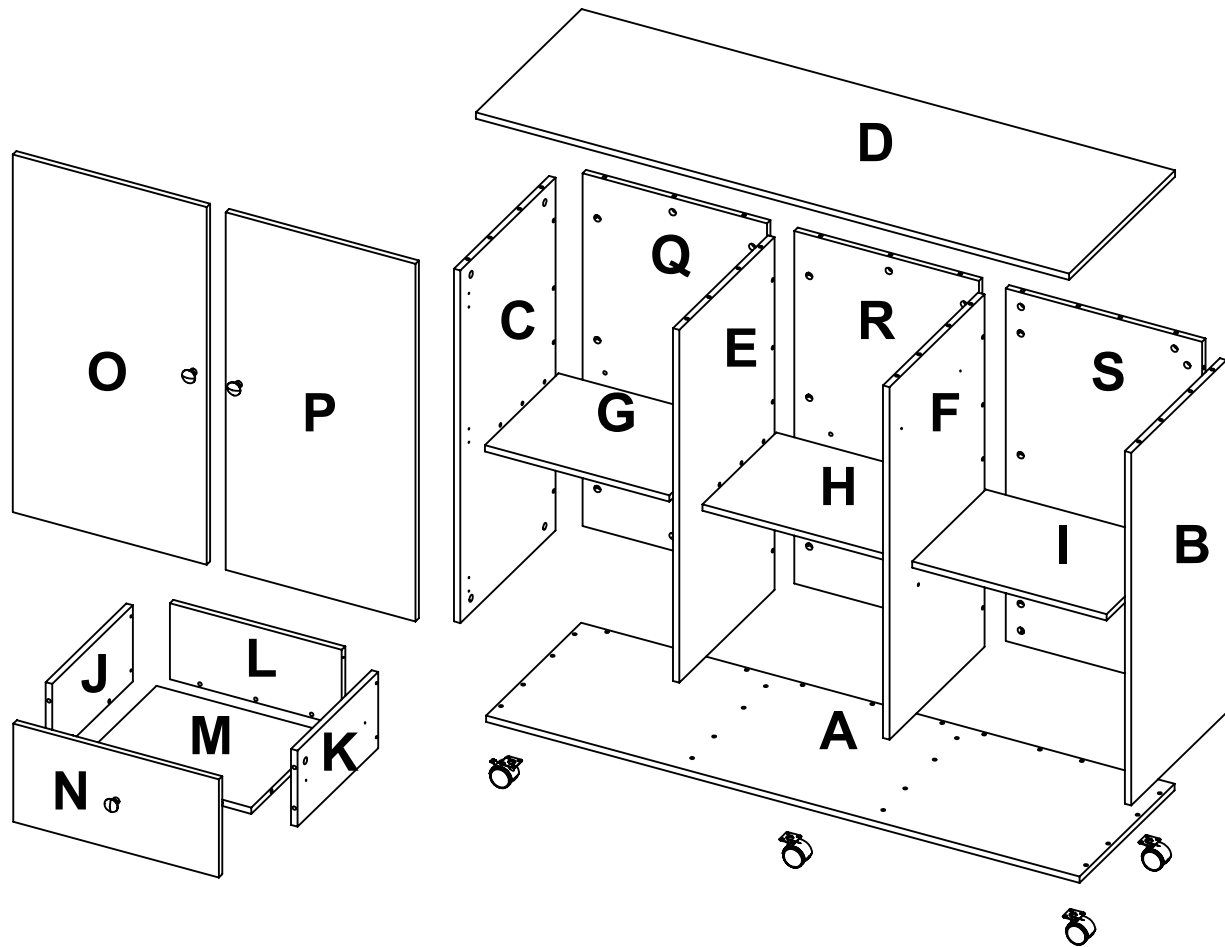
Hook
Gancho

Hardware items are NOT shown actual size.

Los herrajes no se muestran en el tamaño real.

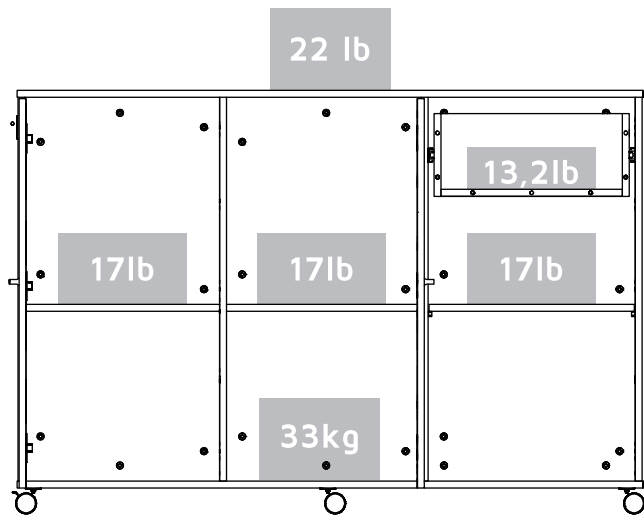
ASSEMBLY PARTS

PIEZAS DE ARMADO

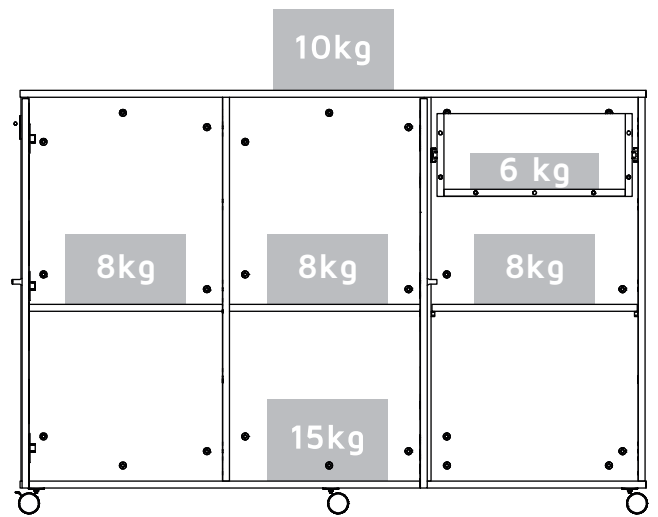


A - x1	F - x1	K - x1	P - x1
B - x1	G - x1	L - x1	Q - x1
C - x1	H - x1	M - x1	R - x1
D - x1	I - x1	N - x1	S - x1
E - x1	J - x1	O - x1	

MAX SUGGESTED LOADS



CARGAS MÁXIMAS SUGERIDAS



ASSEMBLY RECOMMENDATIONS

Two people are recommended to assemble the product.

Assemble the cabinet on a flat, smooth surface, preferably on a carpeted floor or the carton box of the product.

Carefully read the assembly instructions and identify every wood and hardware part before start assembling the cabinet.

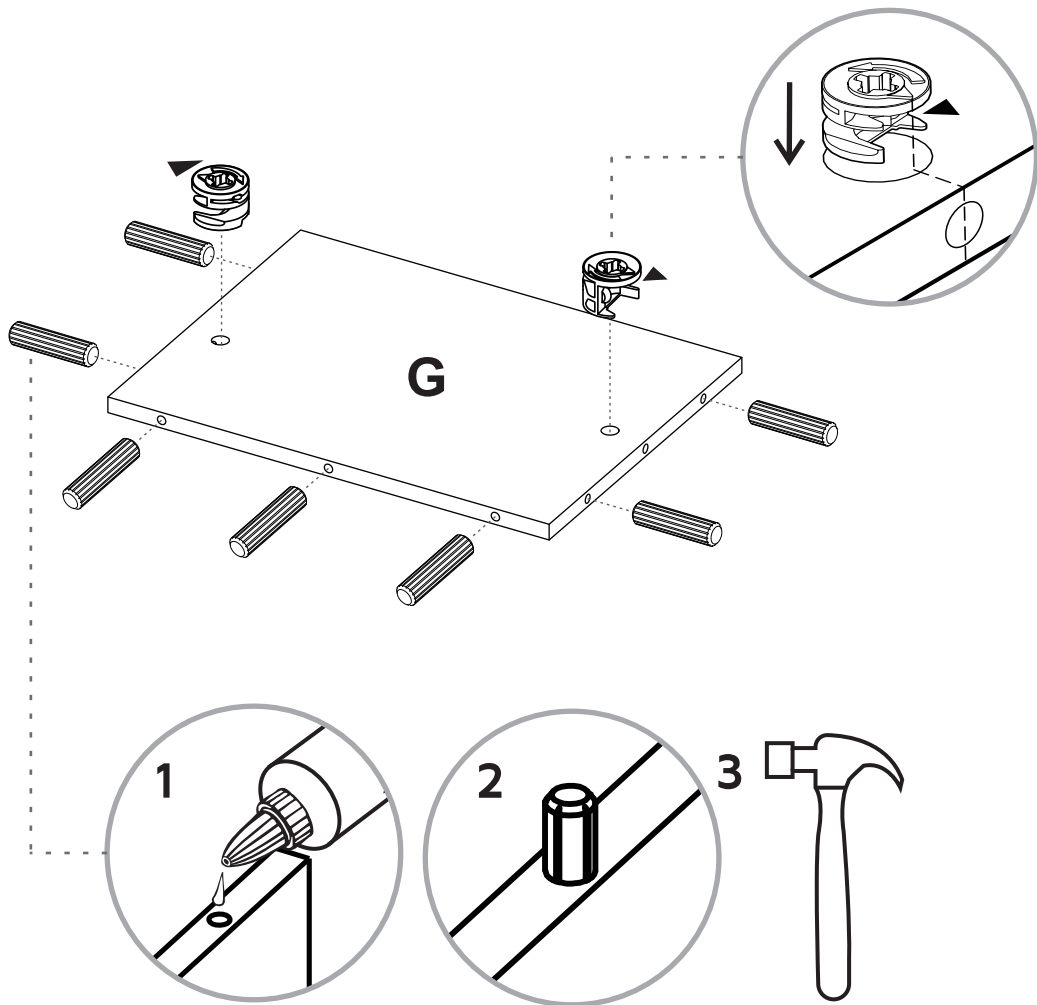
RECOMENDACIONES DE ENSAMBLE

Ensamble el mueble entre dos personas.

Ensamble el mueble sobre una superficie plana y lisa, preferiblemente sobre un tapete o el cartón de la caja

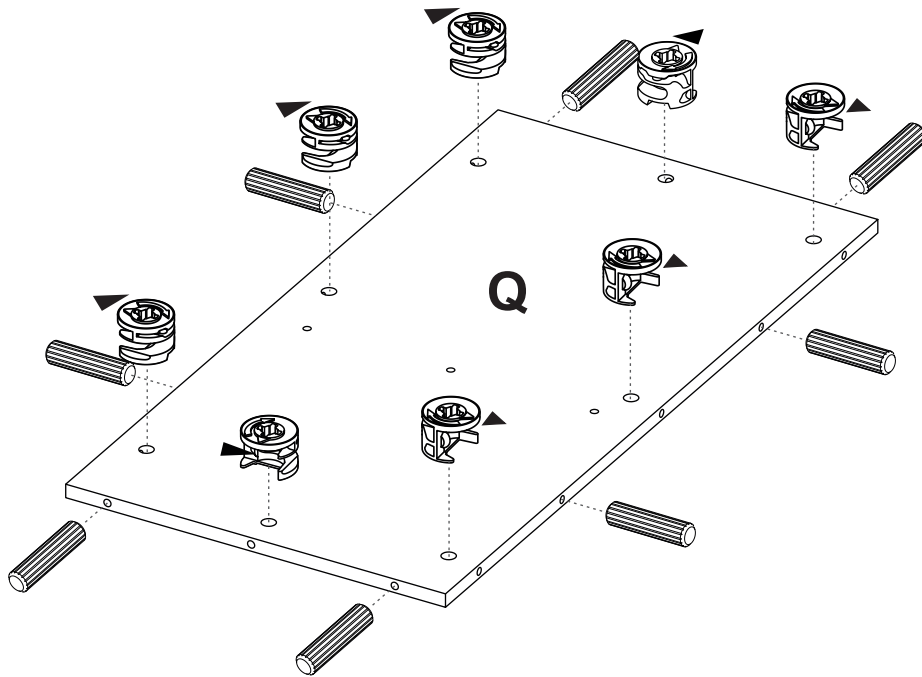
Lea cuidadosamente las instrucciones e identifique todas las piezas y herrajes antes de empezar a armar el mueble.

1

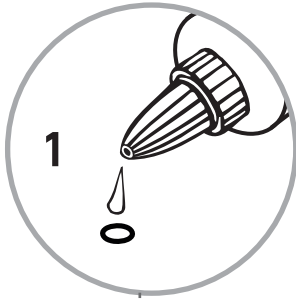


2

Repeat this in the following steps
Repita esto en todos los ensambles

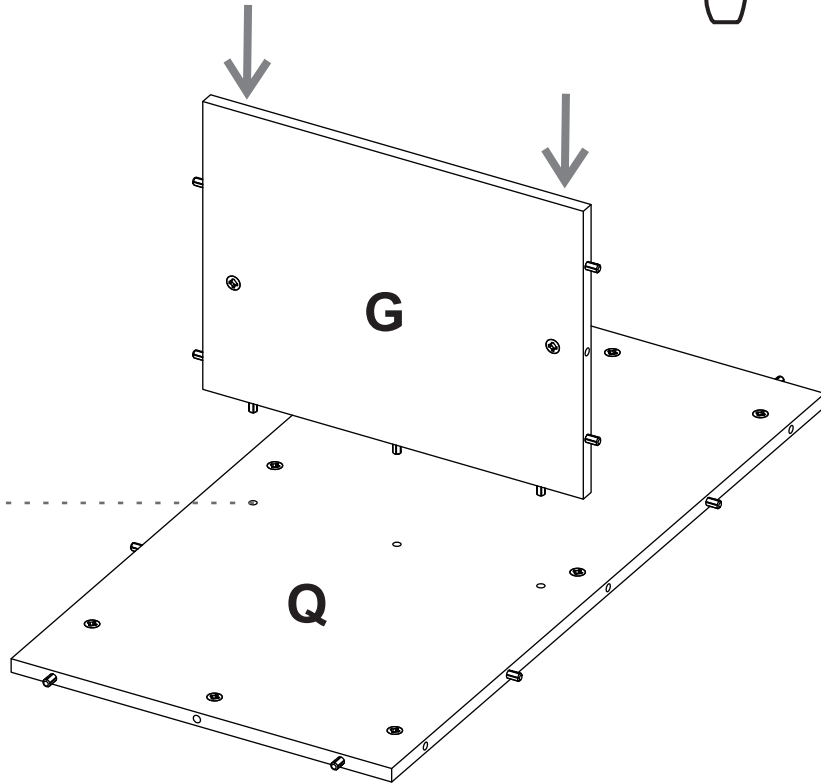
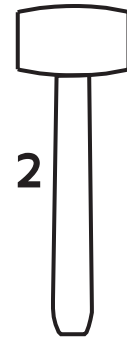


3

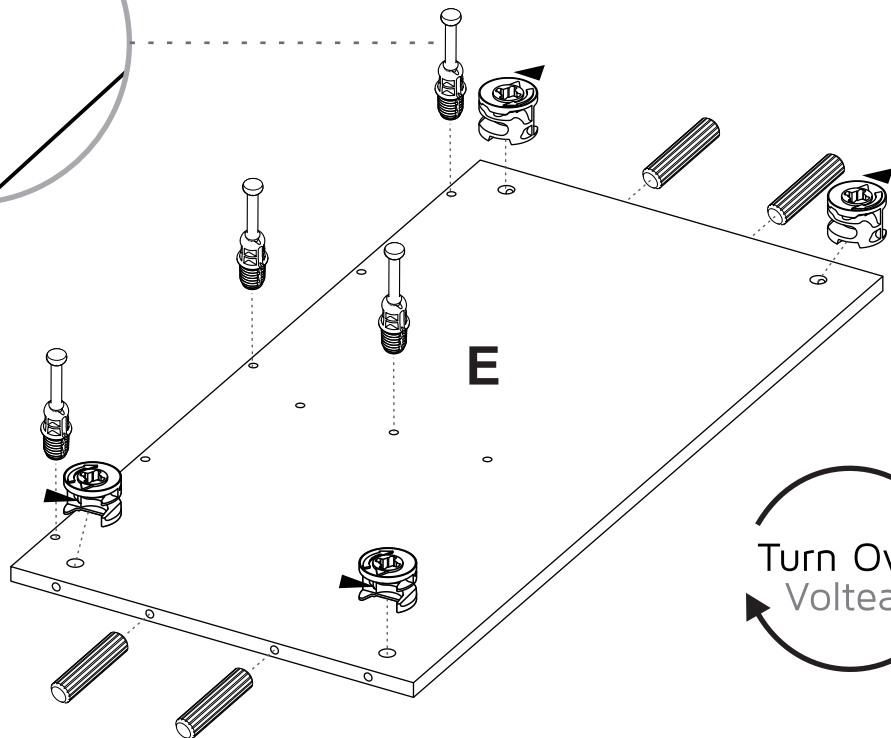
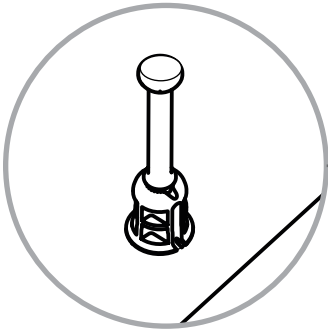


Gently hit the pieces
with a rubber hammer
to adjust the joint.

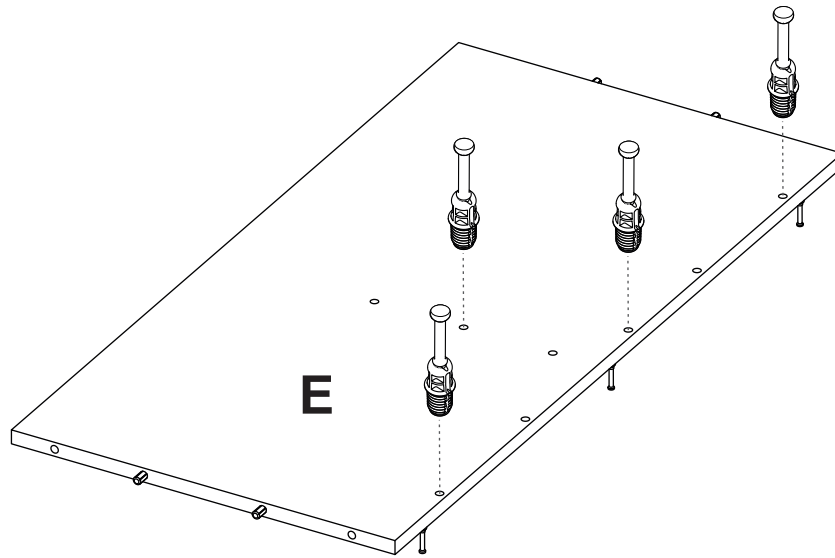
Golpee suavemente la
pieza con un martillo
de goma para ajustar
el ensamble.



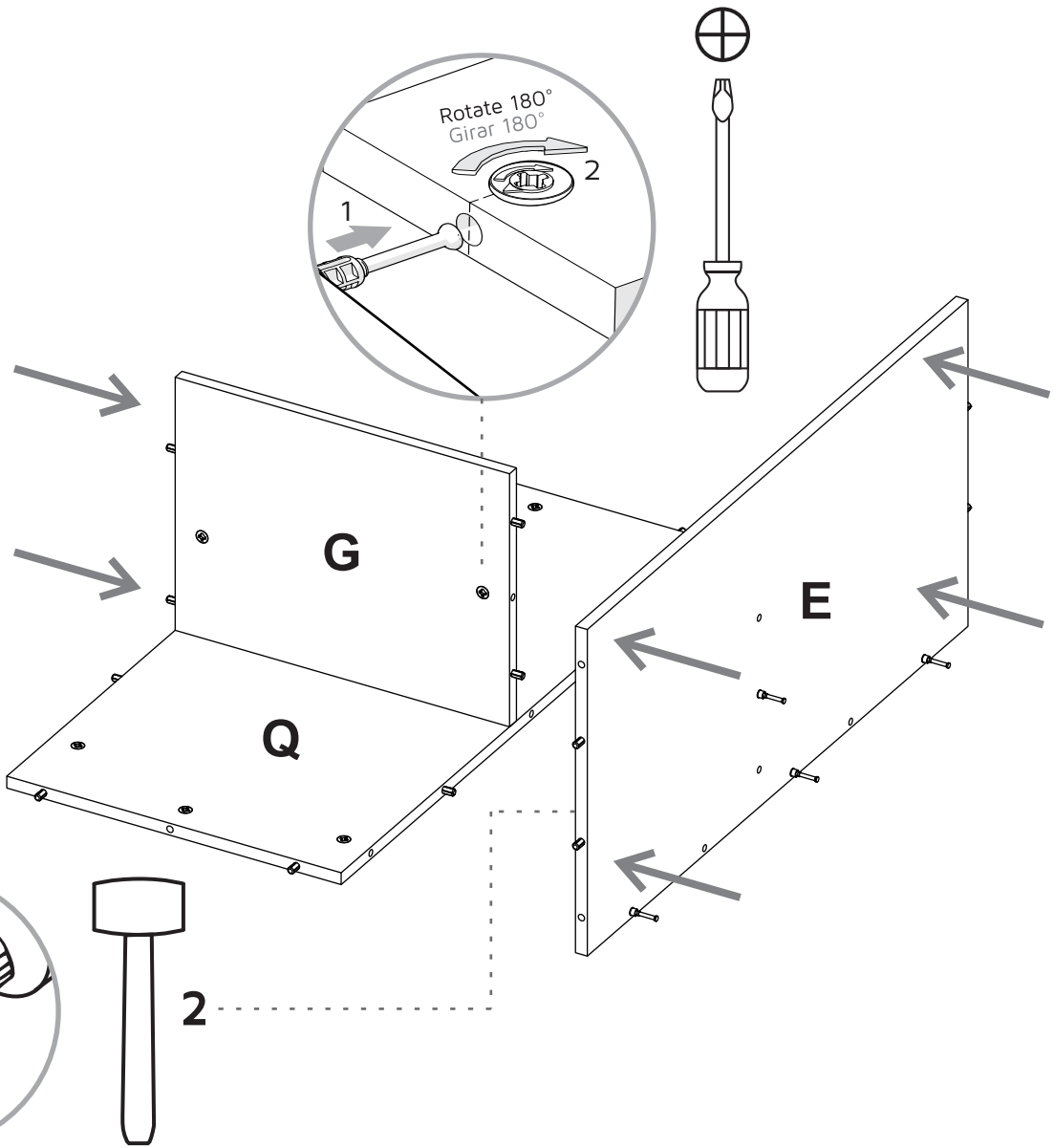
4



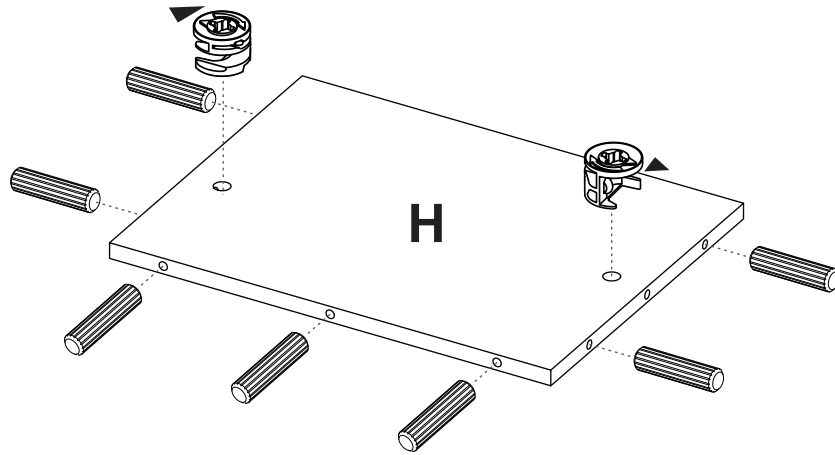
5



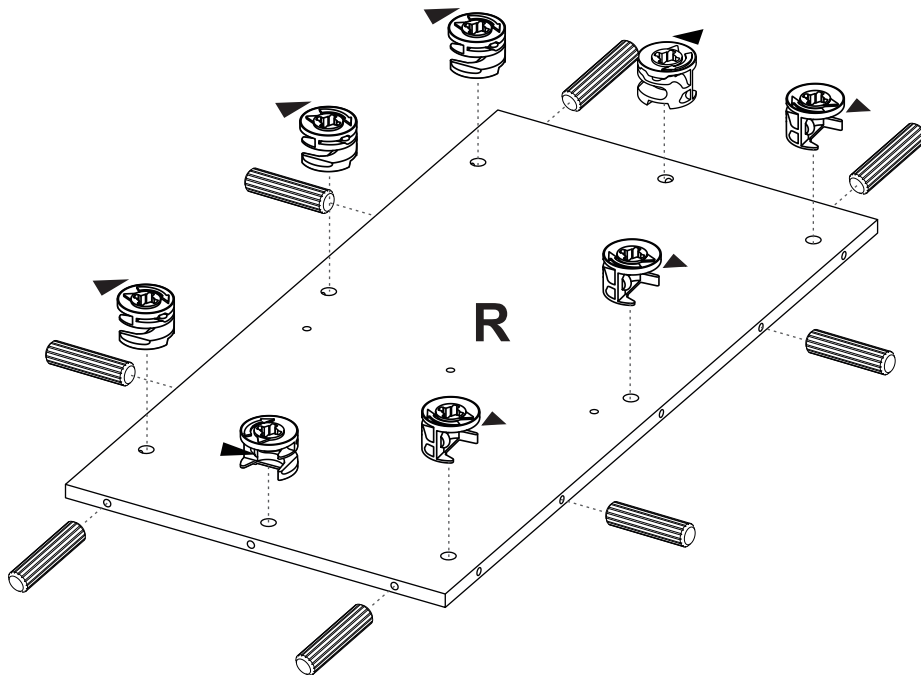
6



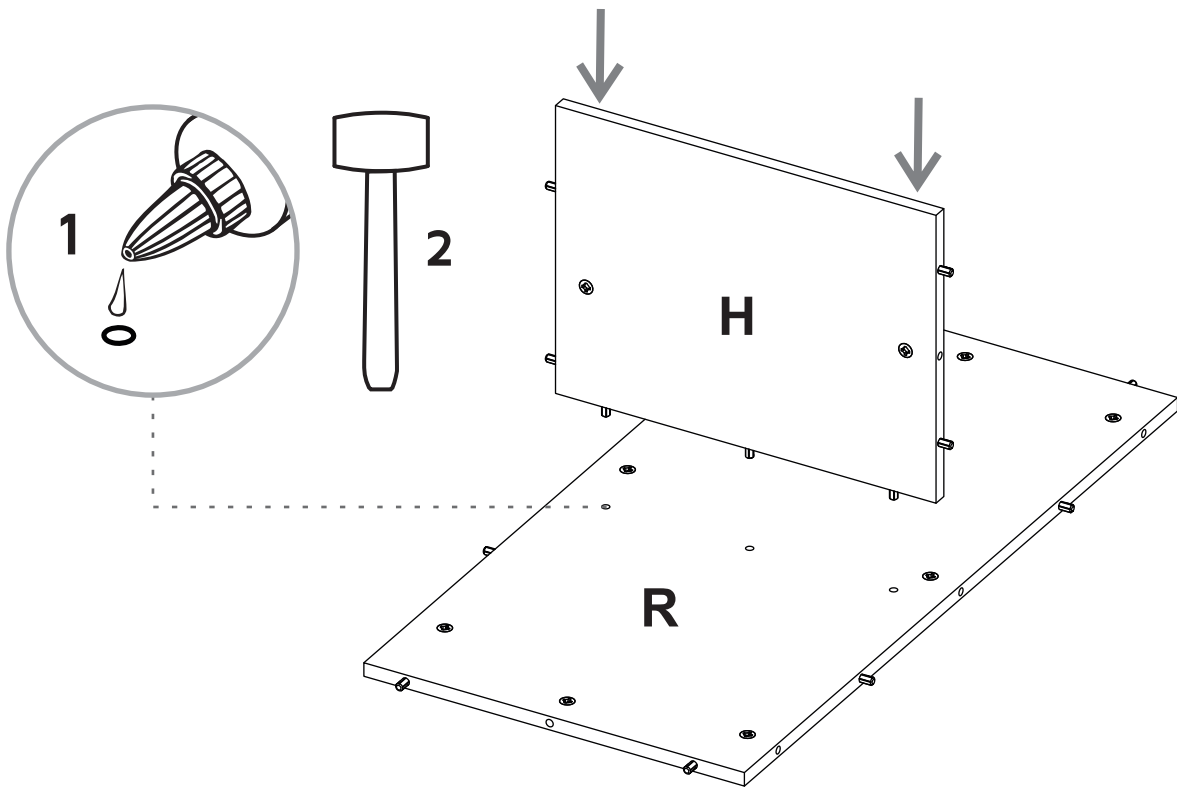
7



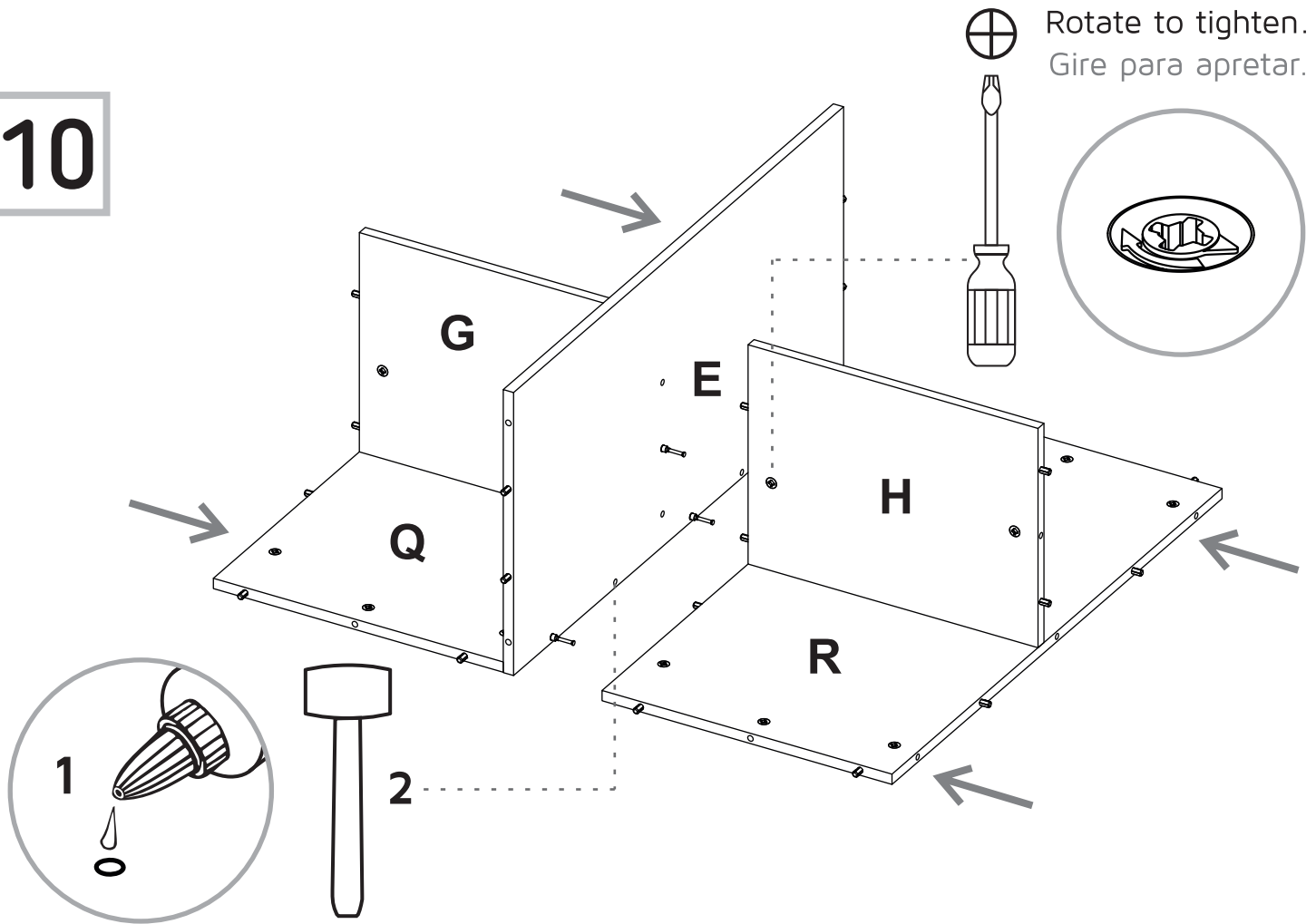
8



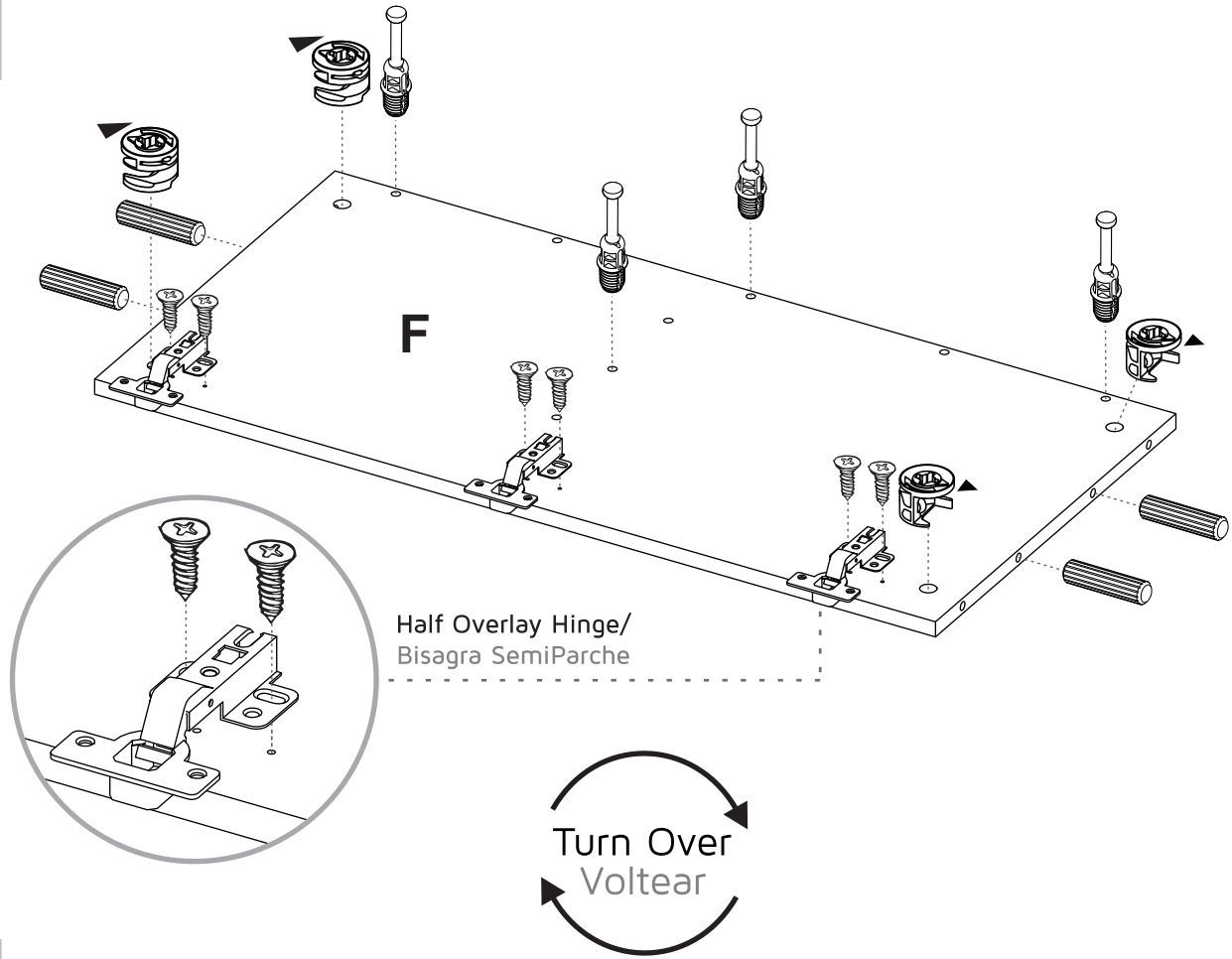
9



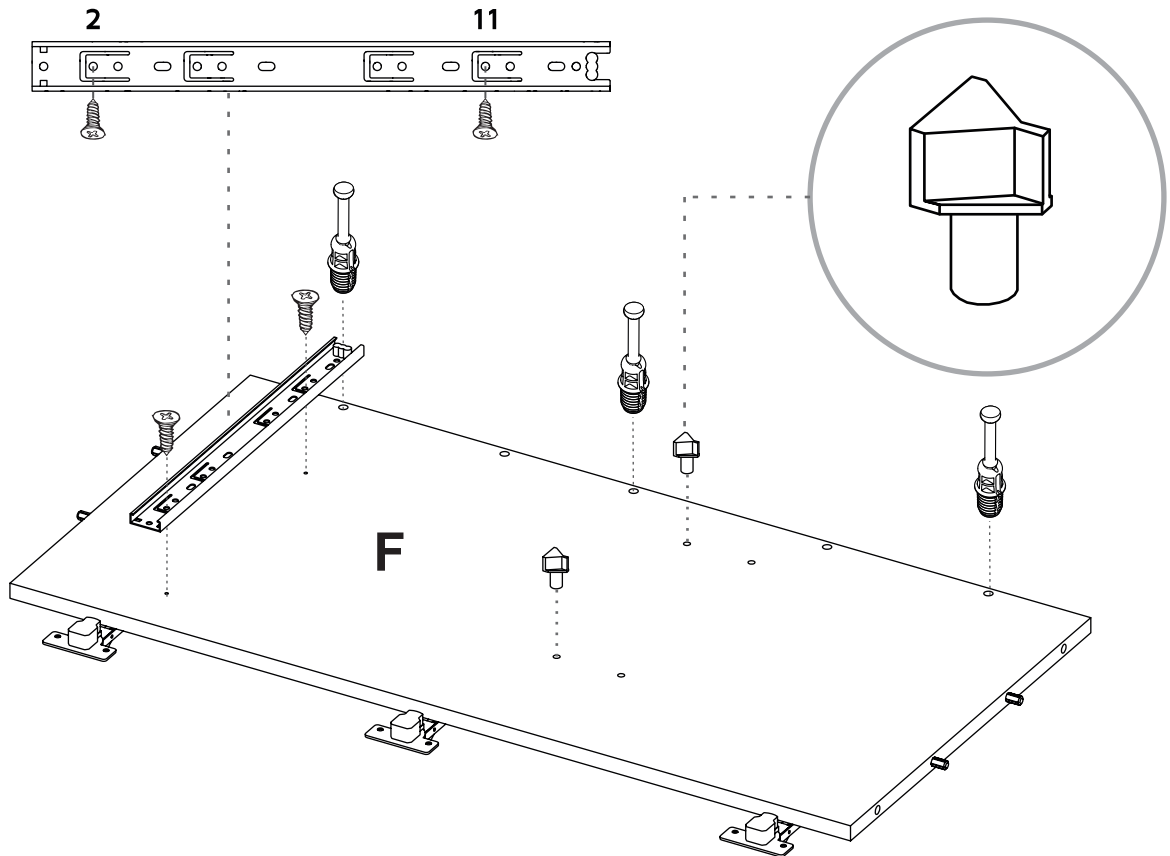
10



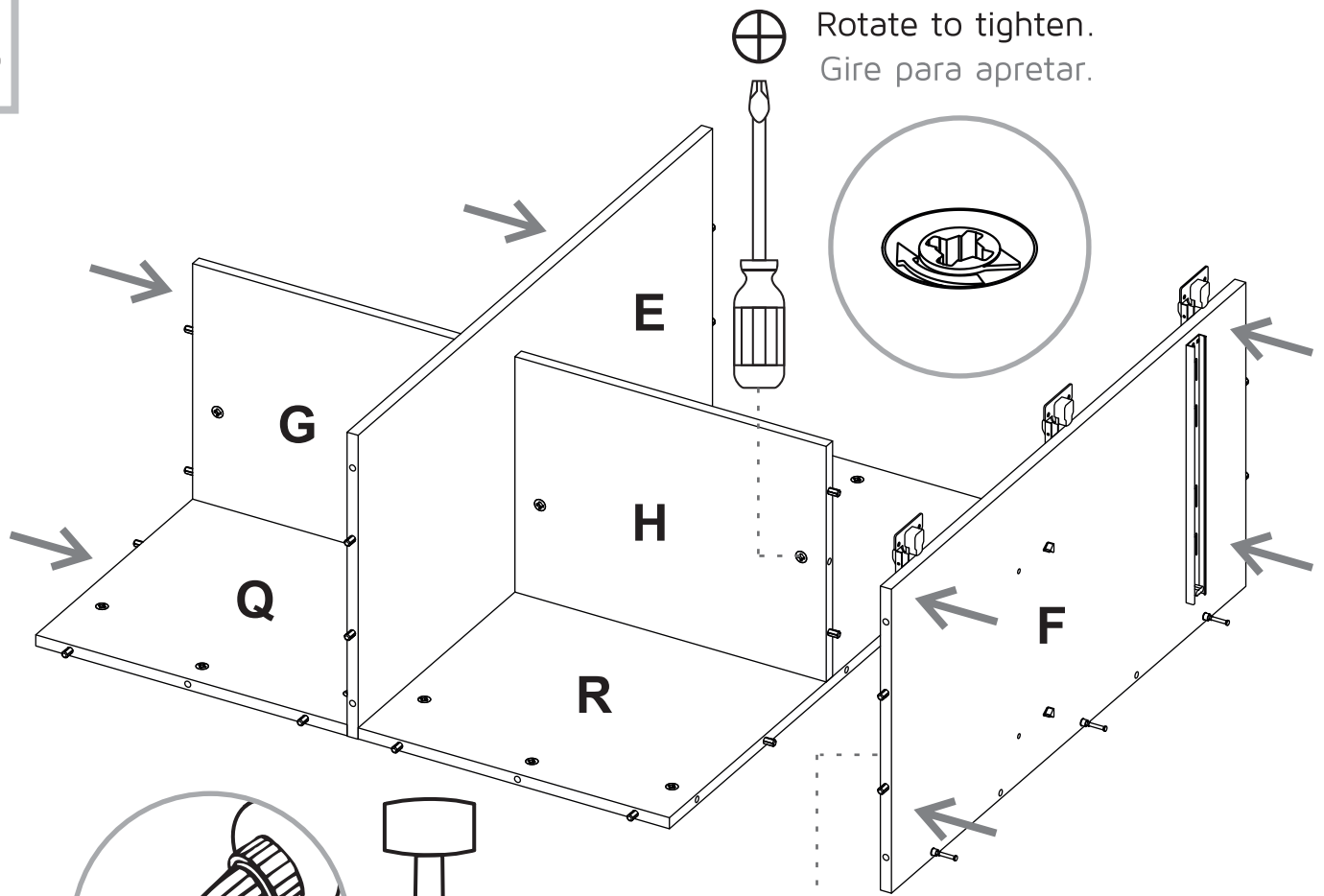
11



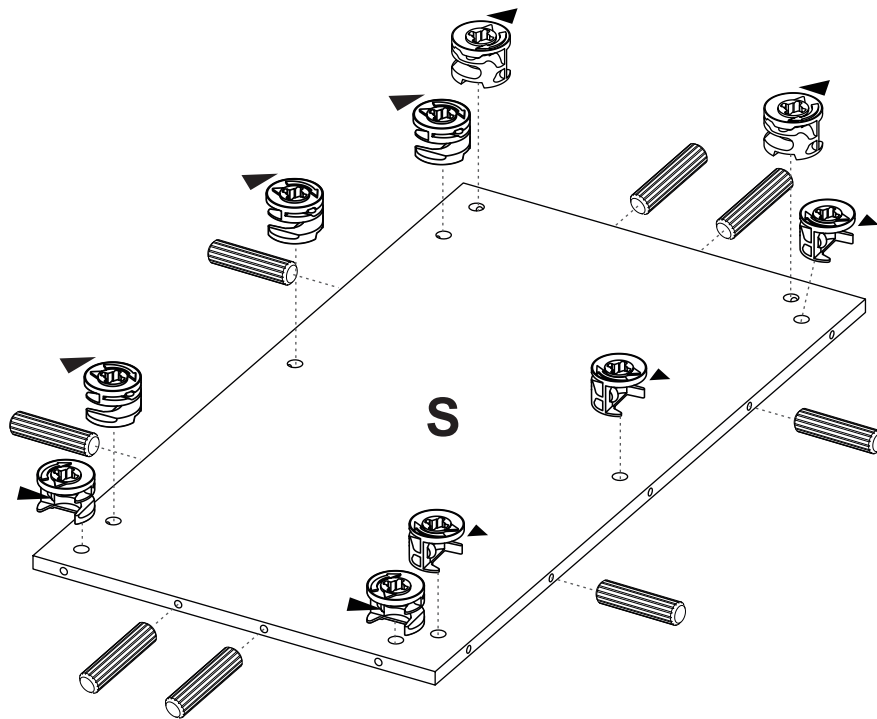
12



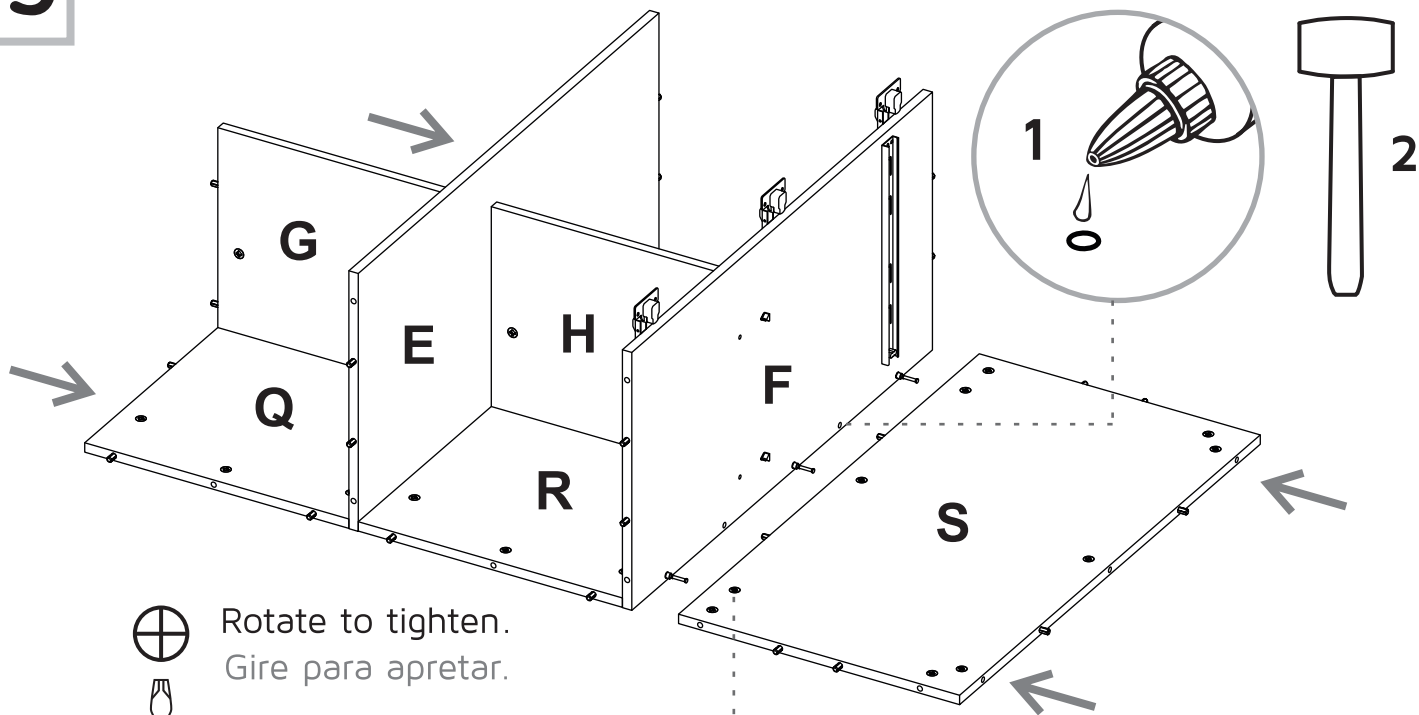
13



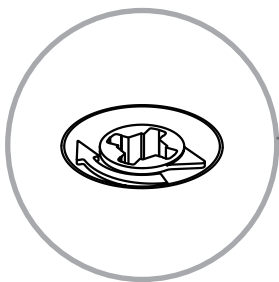
14



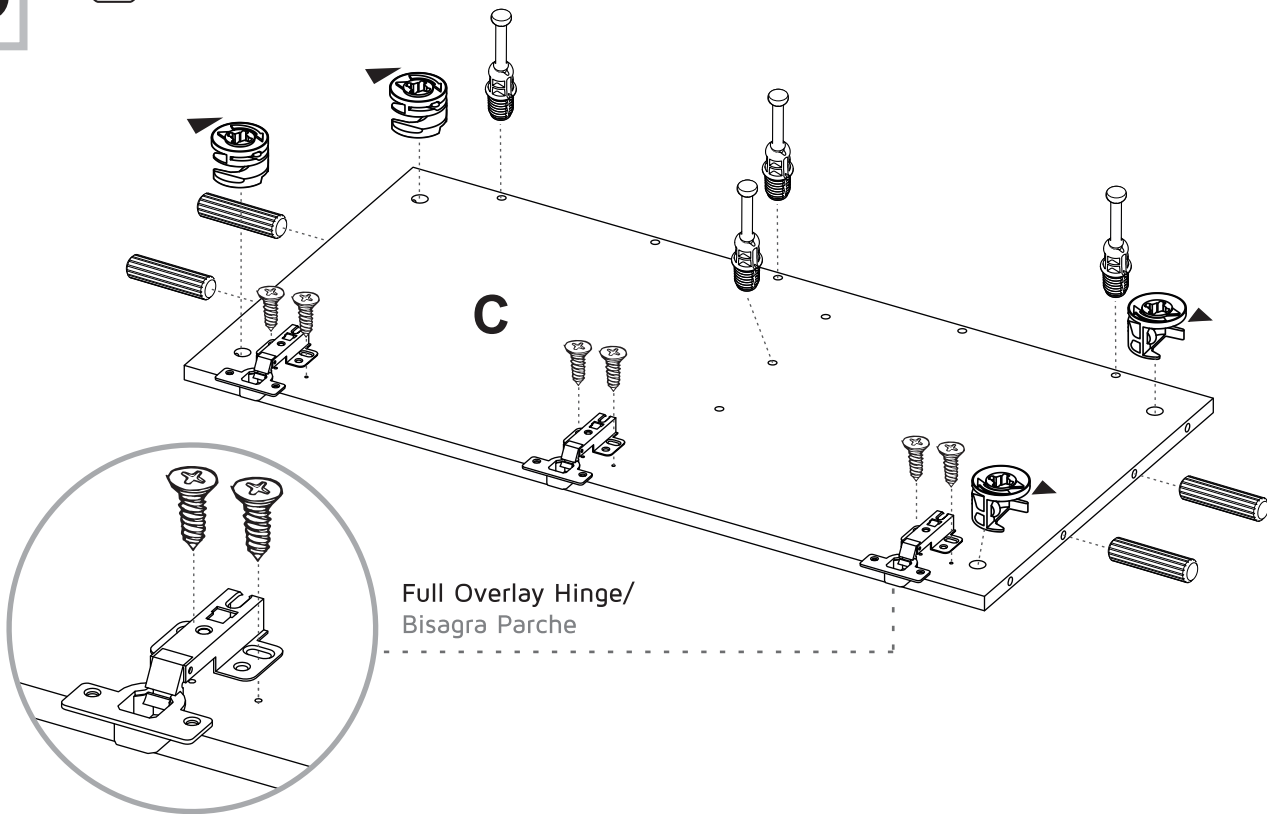
15



Rotate to tighten.
Gire para apretar.

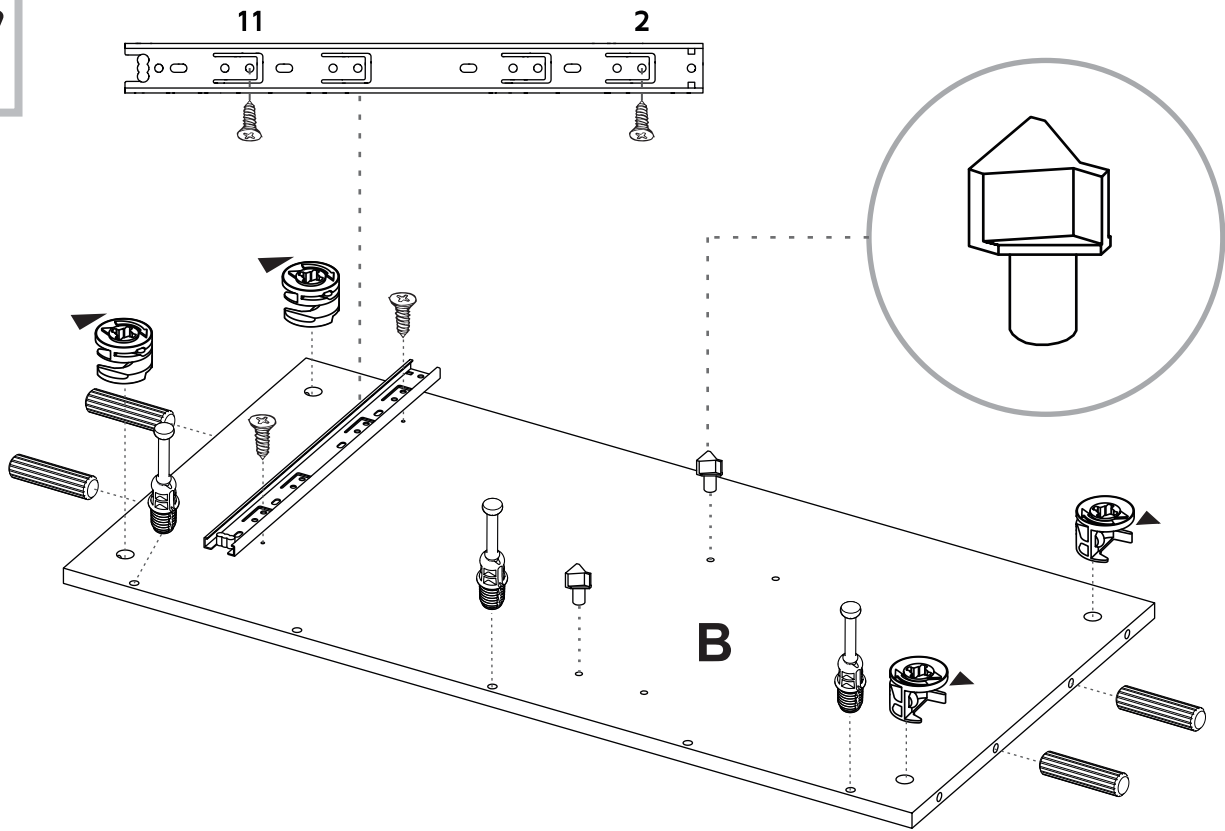


16

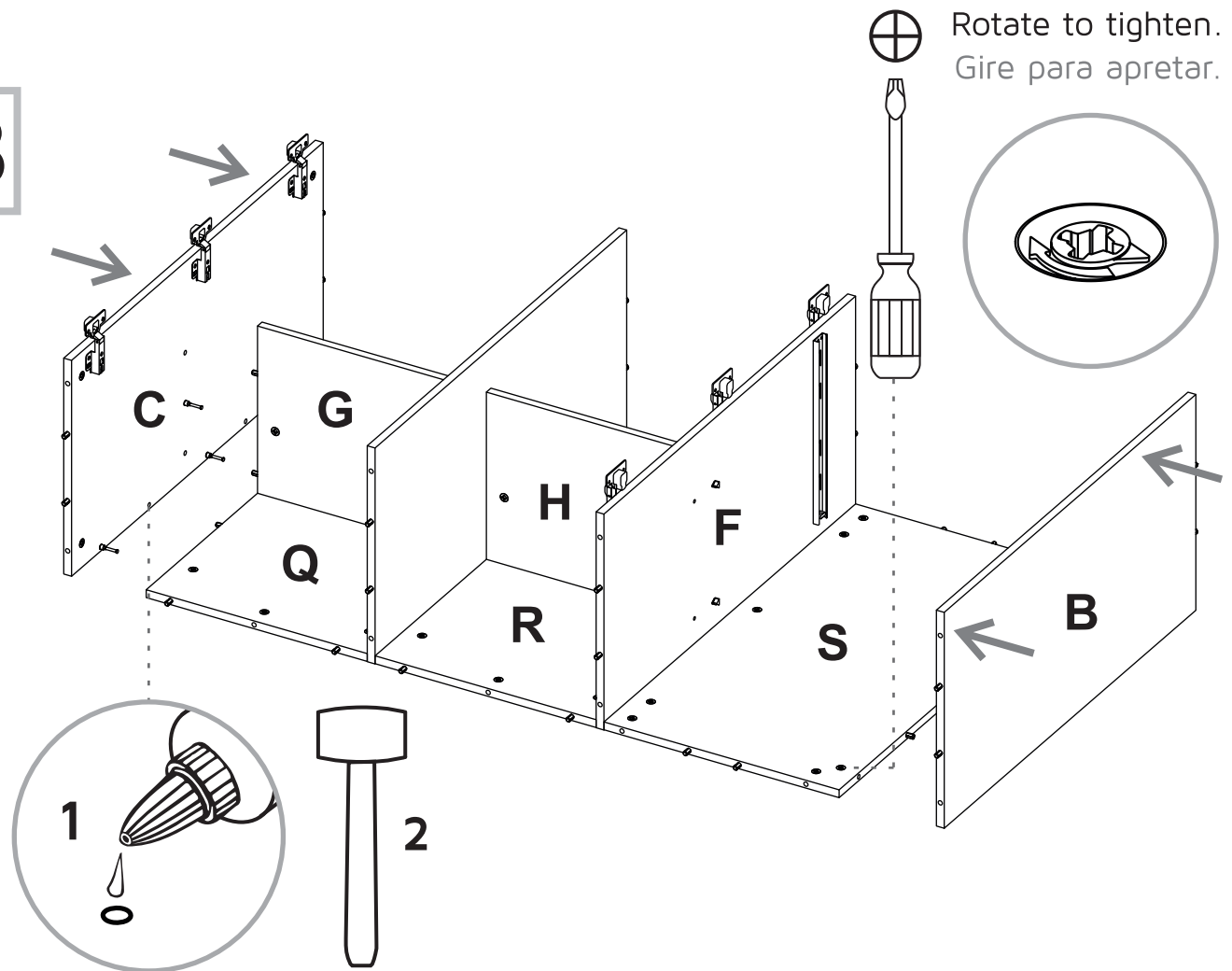


Full Overlay Hinge/
Bisagra Parche

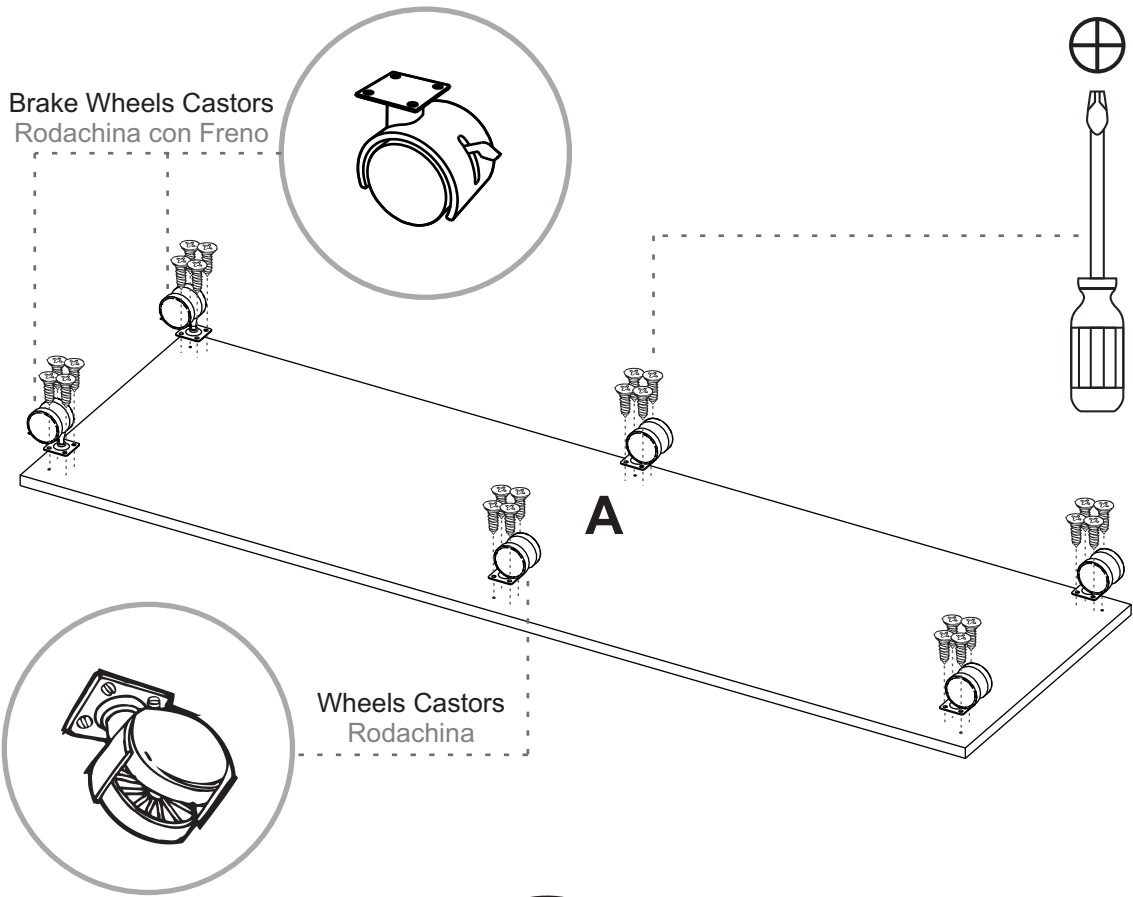
17



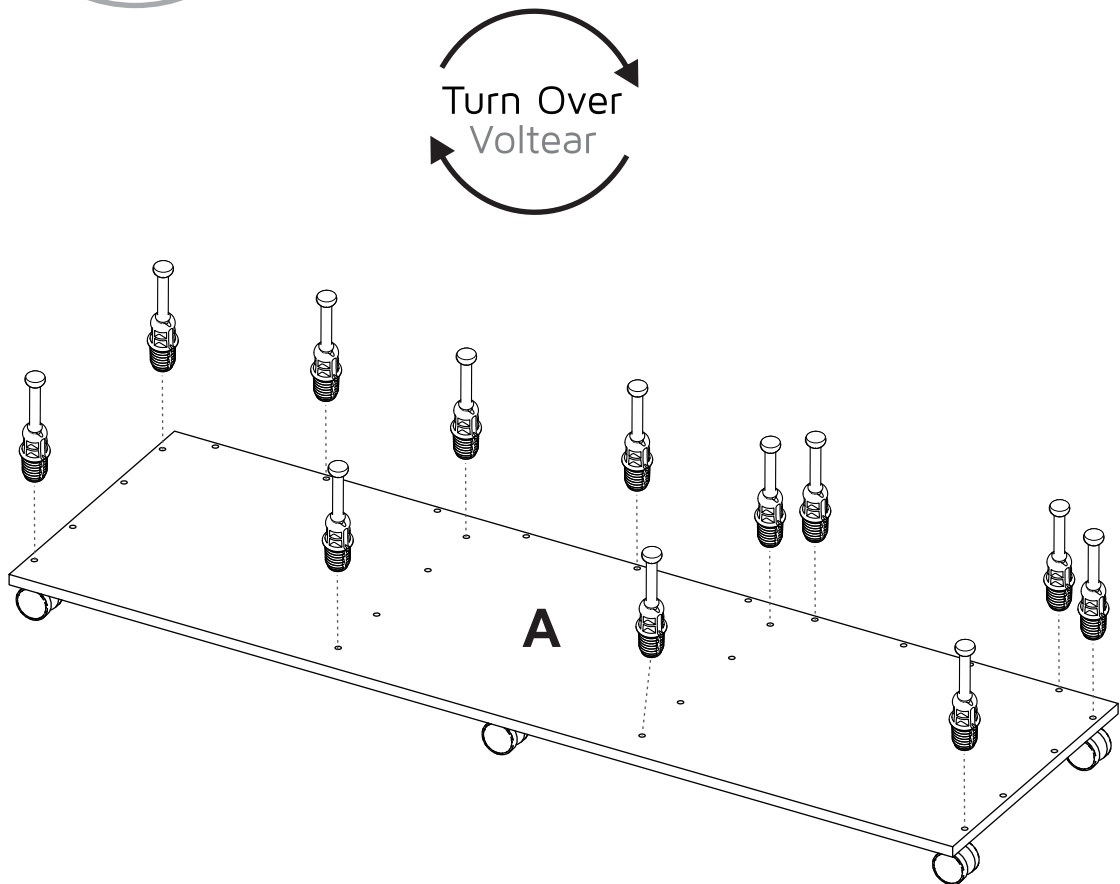
18



19

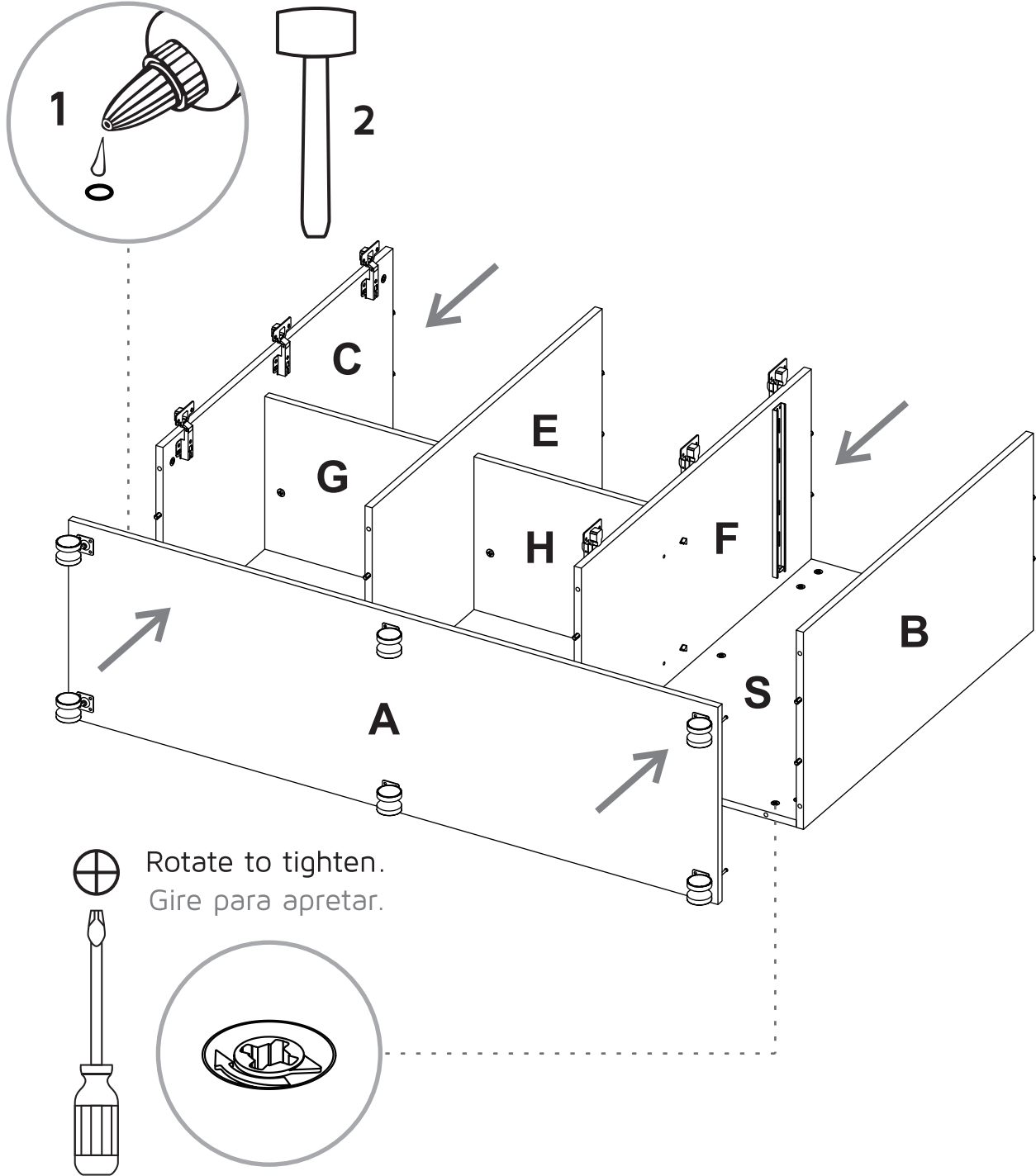


20

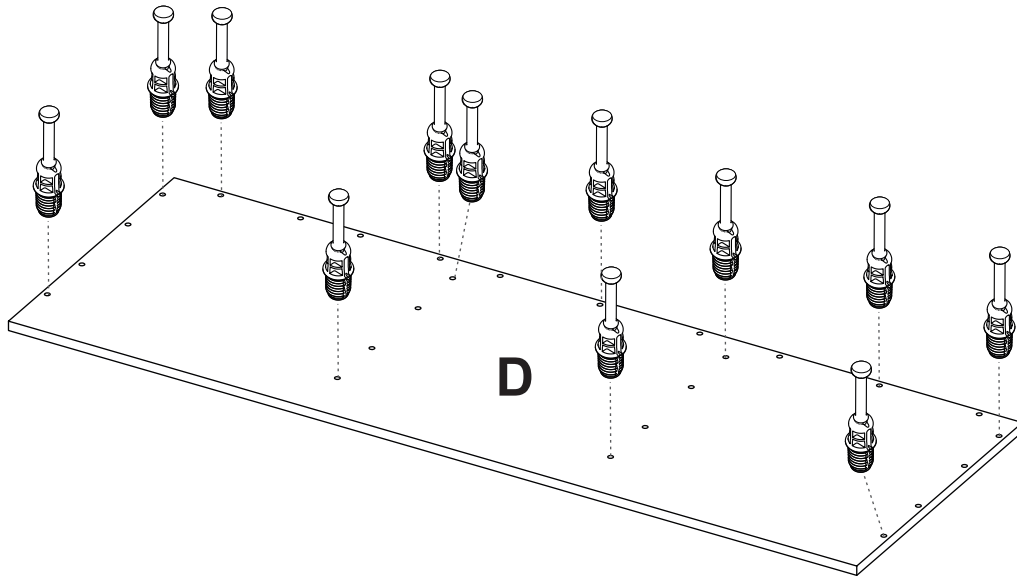


21

Be careful turning over the cabinet.
Tenga cuidado al voltear el mueble.

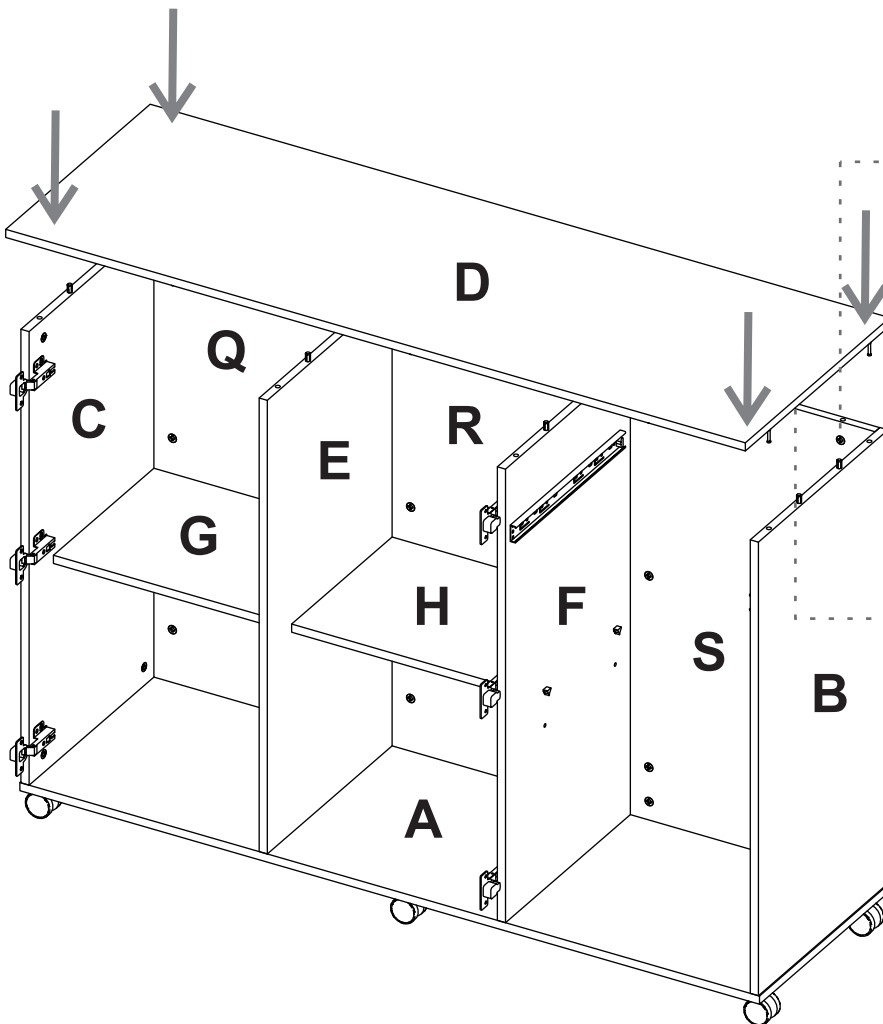


22

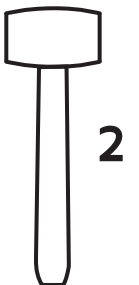
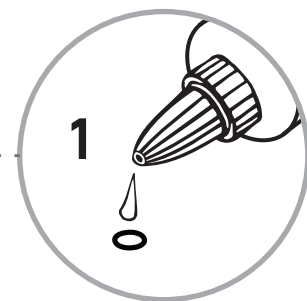
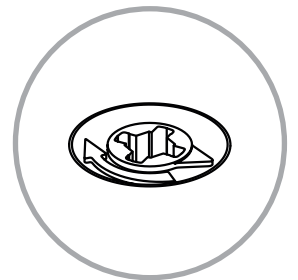


Turn Over
Voltear

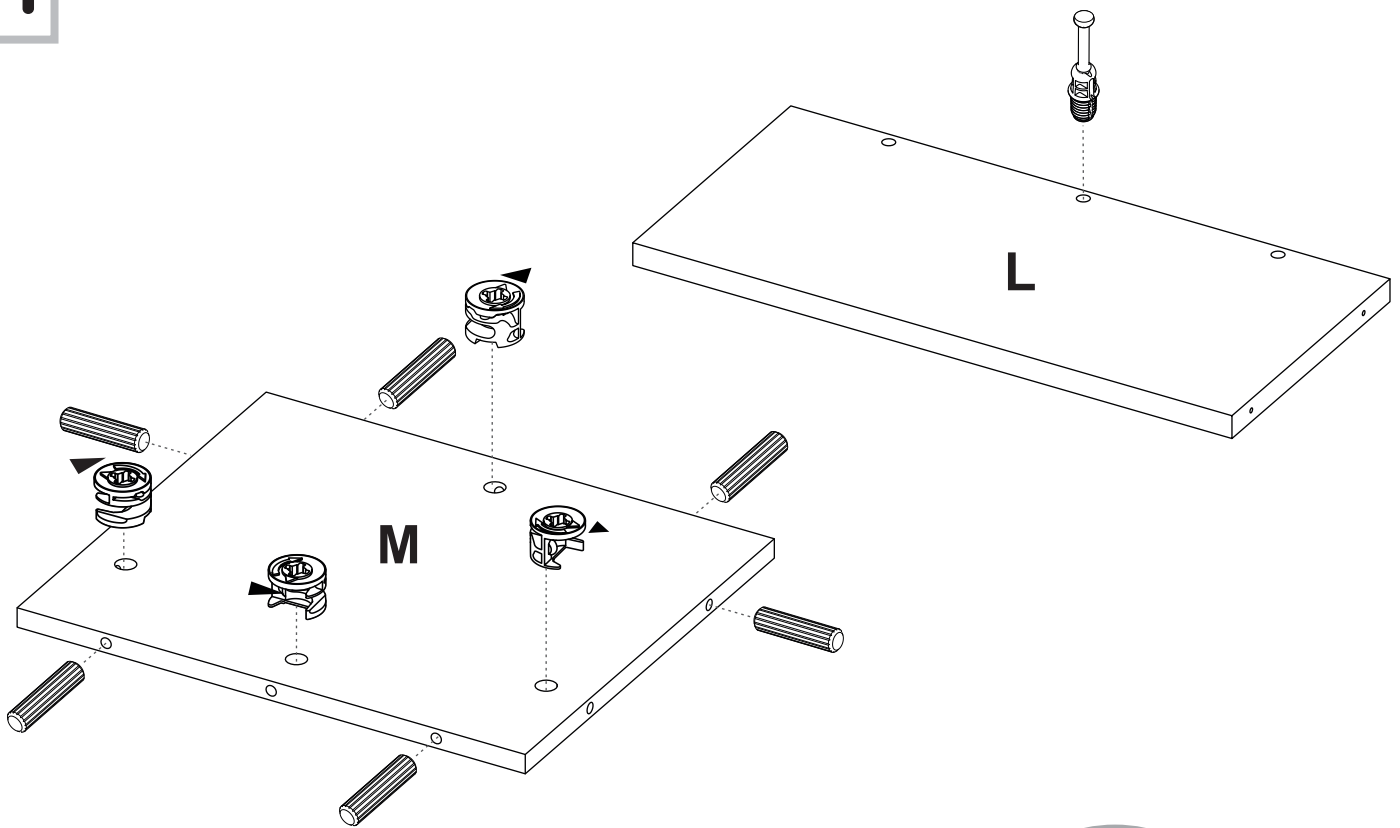
23



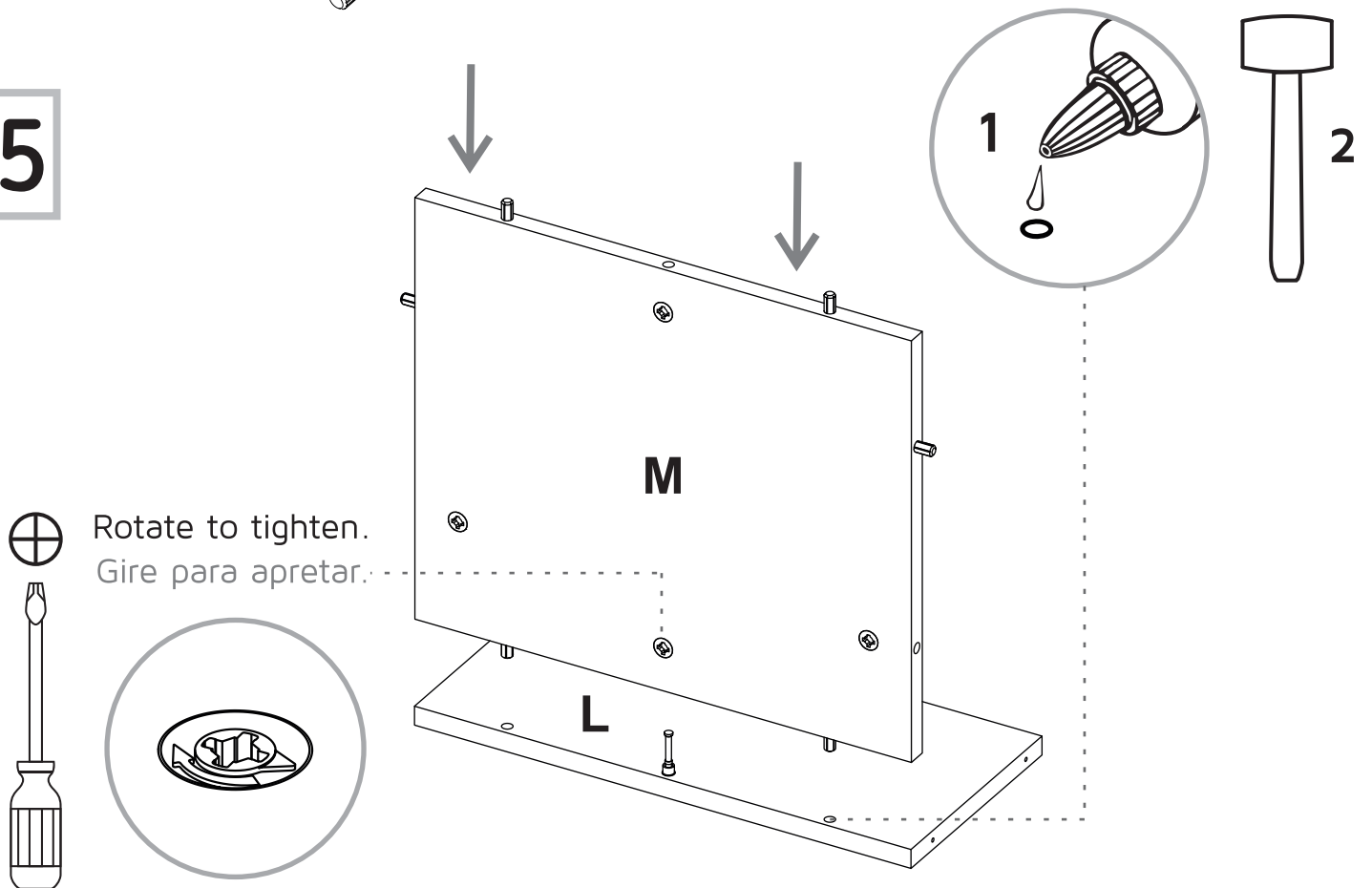
Rotate to tighten.
Gire para apretar.



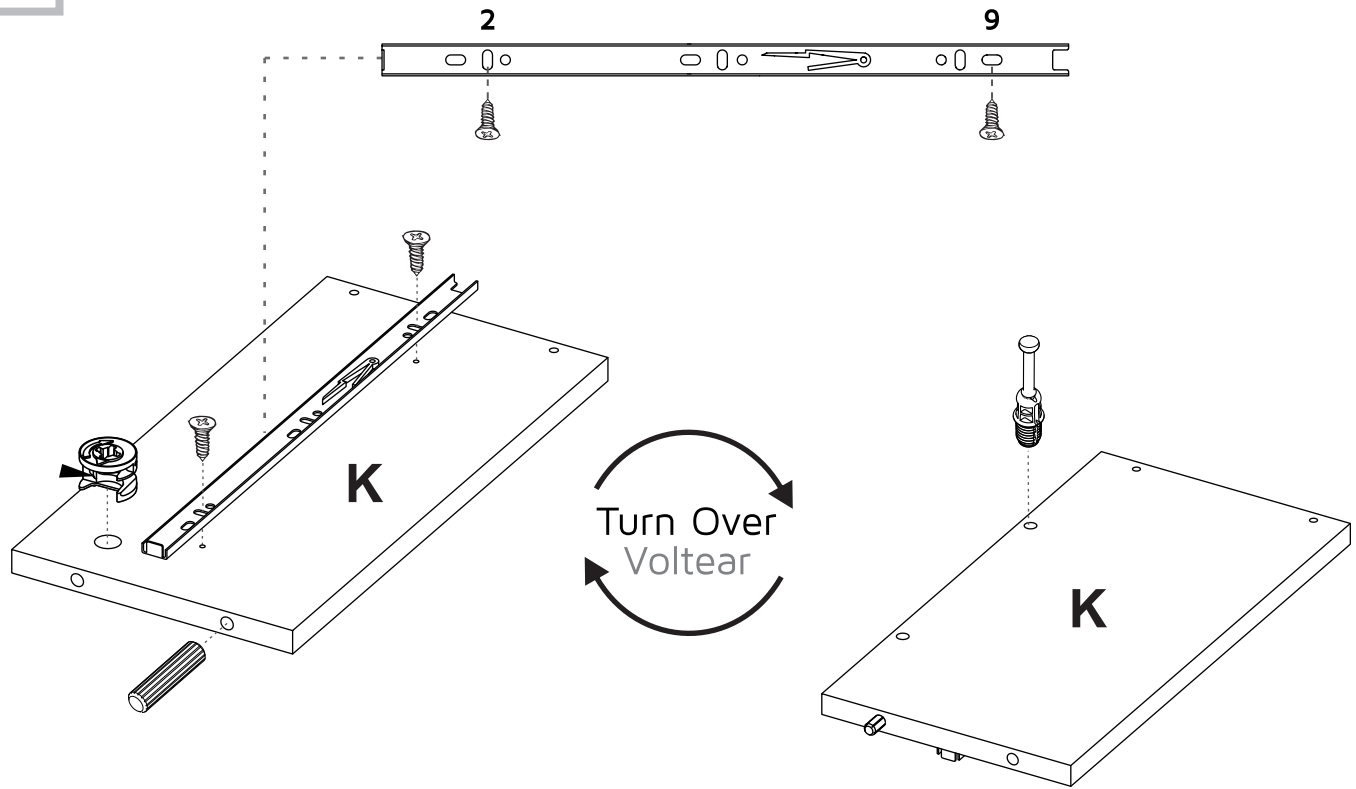
24



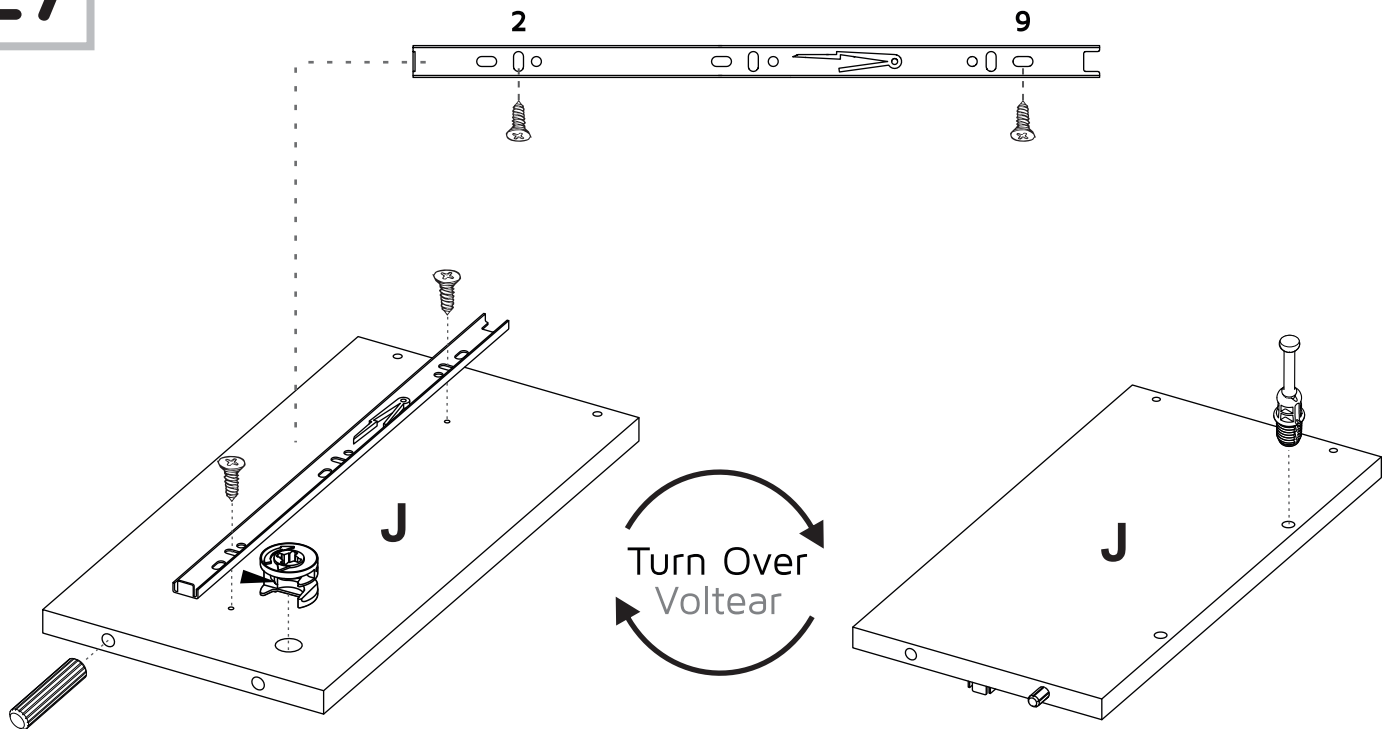
25



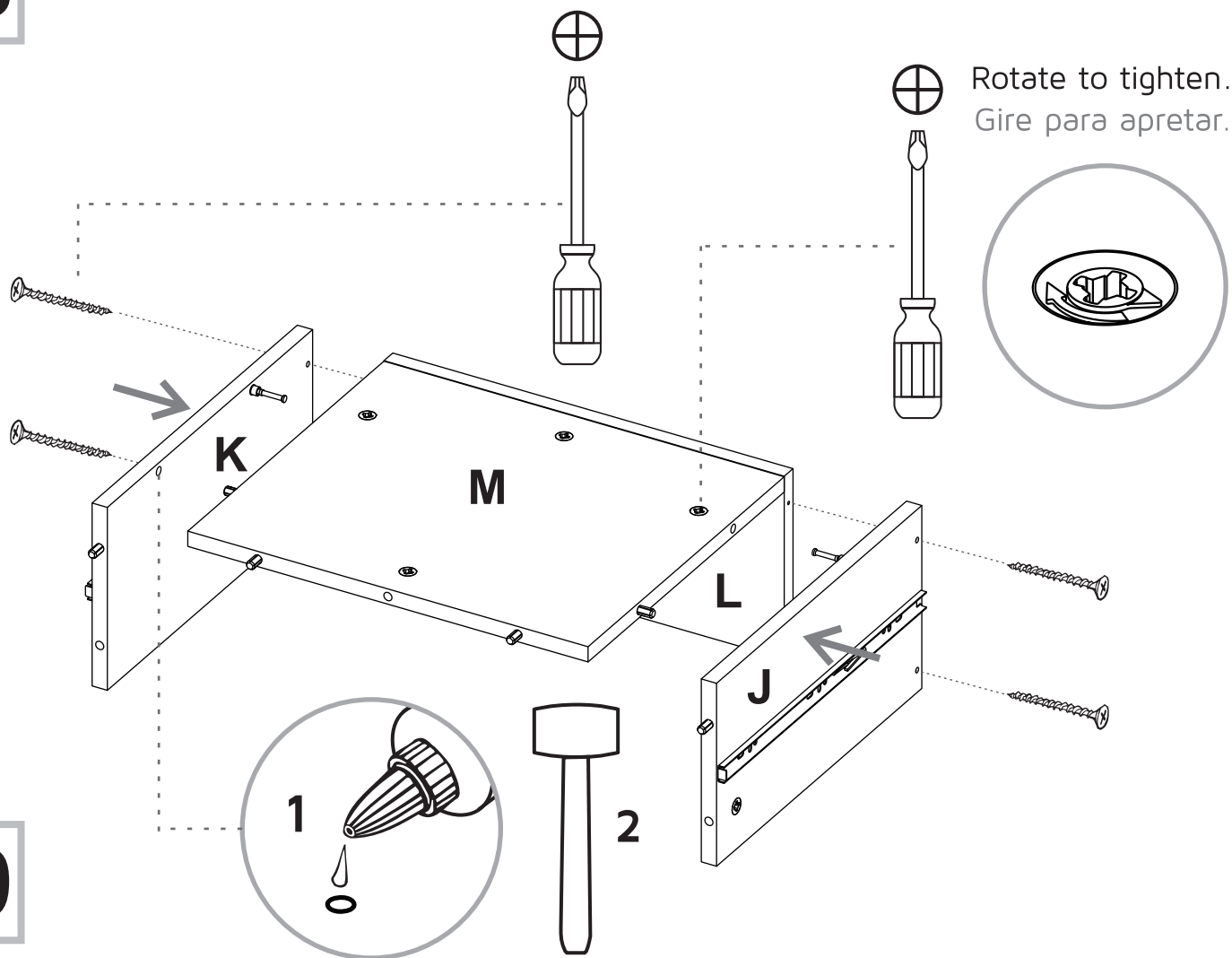
26



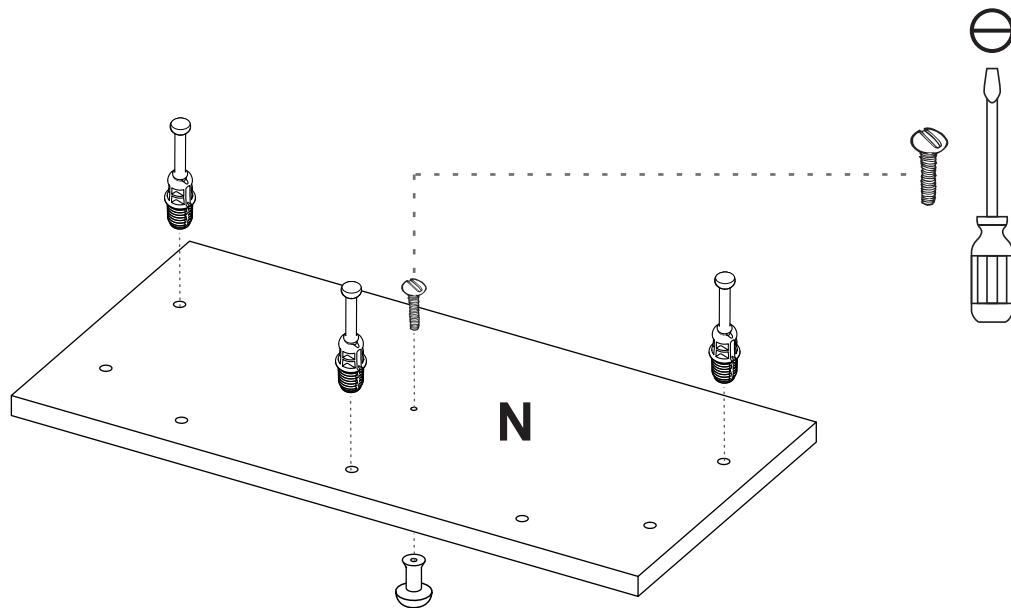
27



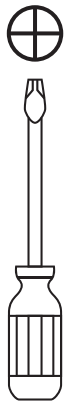
28



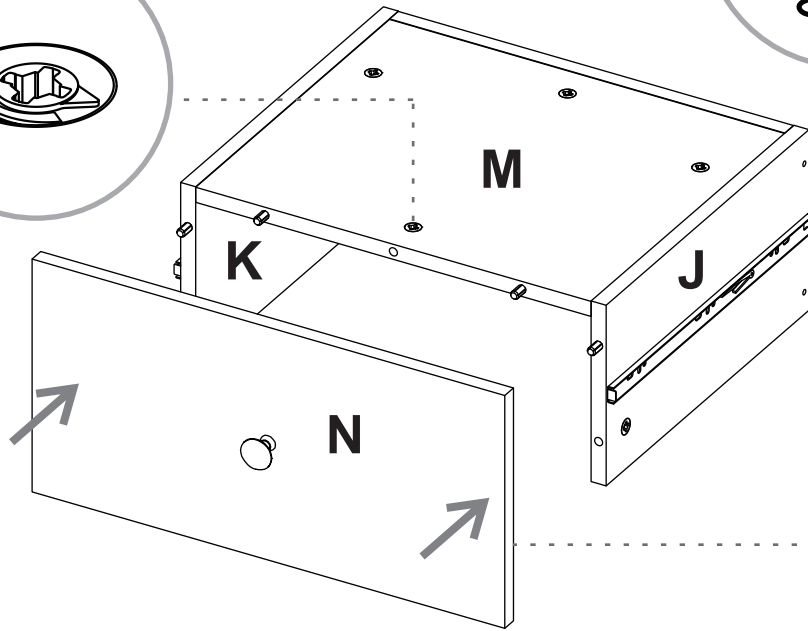
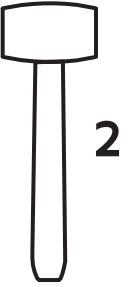
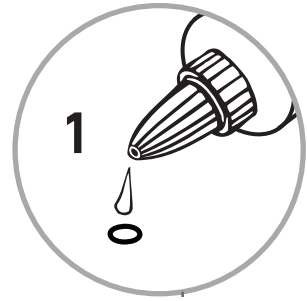
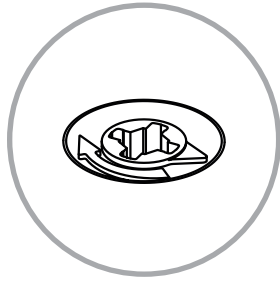
29



30

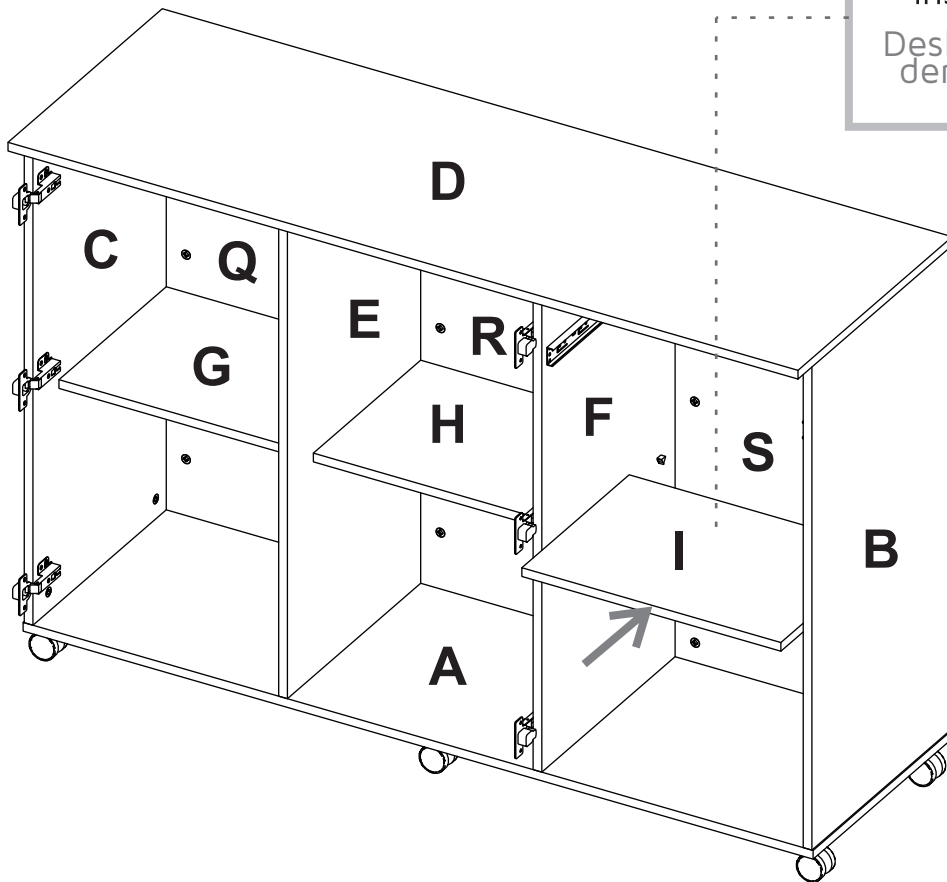


Rotate to tighten.
Gire para apretar.

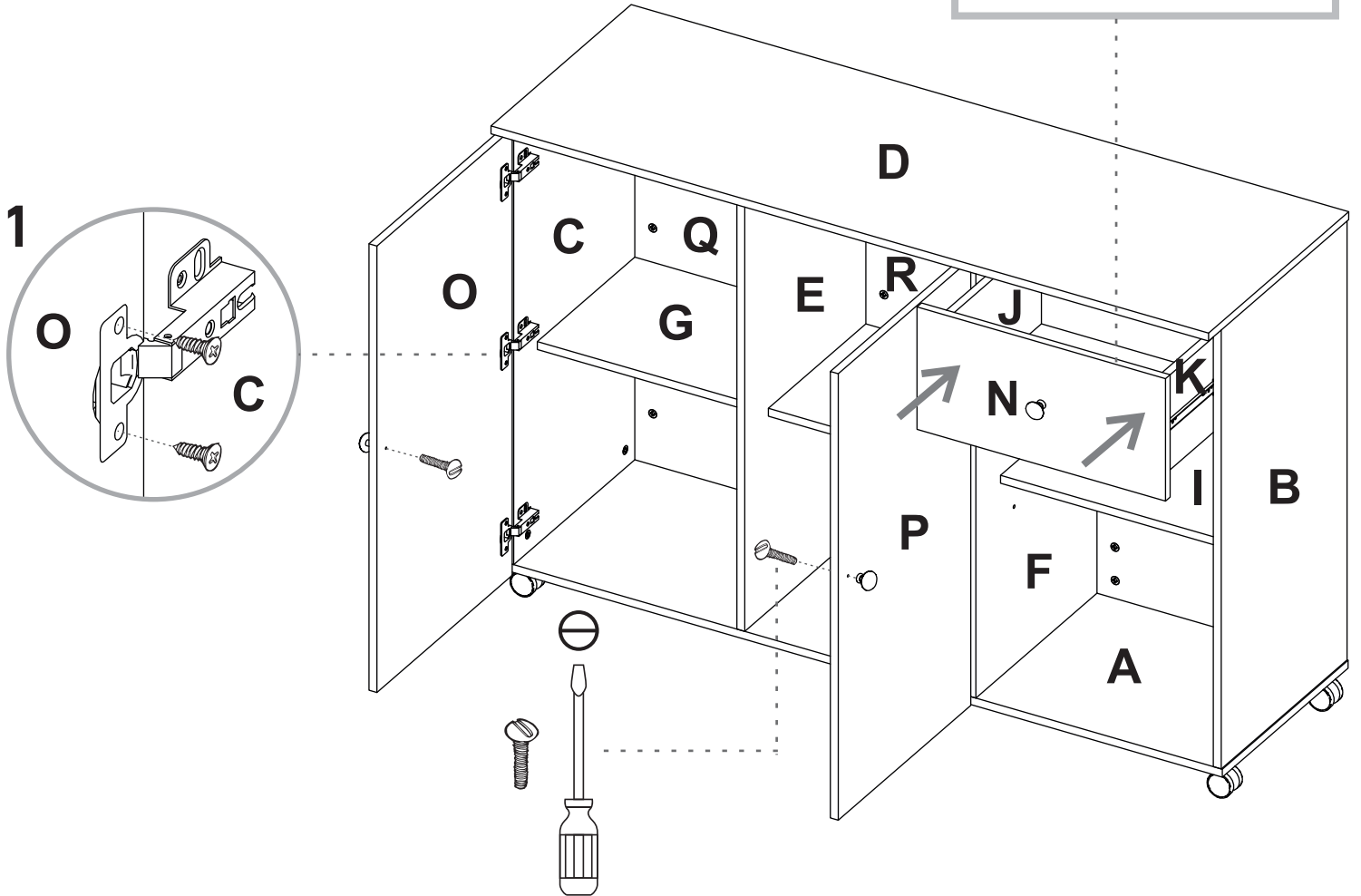


31

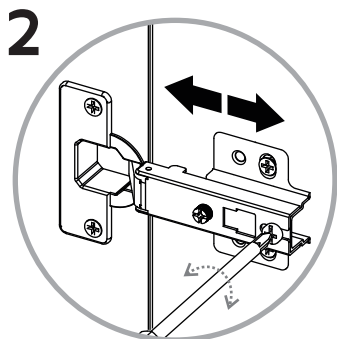
Slide shelf
inside the cabinet
Deslice el entrepaño
dentro del mueble



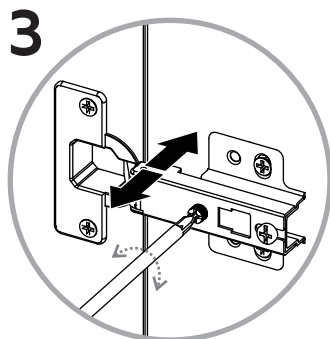
Slide the drawer
inside the cabinet
Deslice el cajón
dentro del mueble



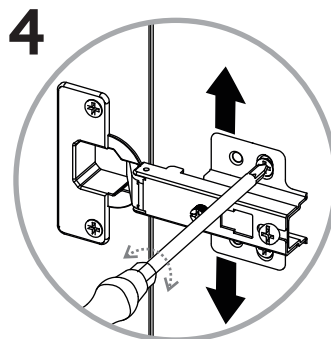
Hinge adjustment Ajuste de las bisagras



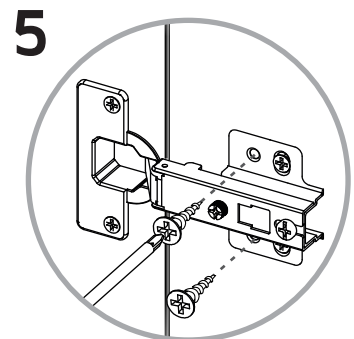
Depth adjustment
Ajuste de profundidad

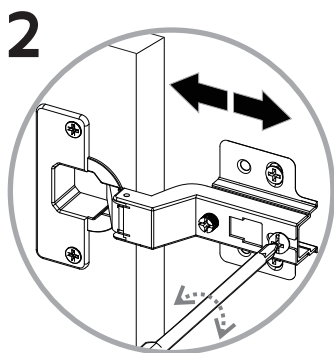
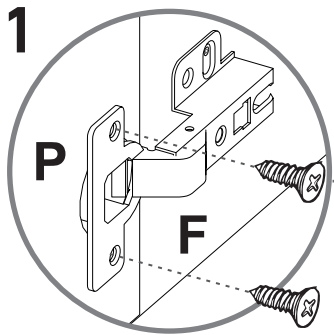
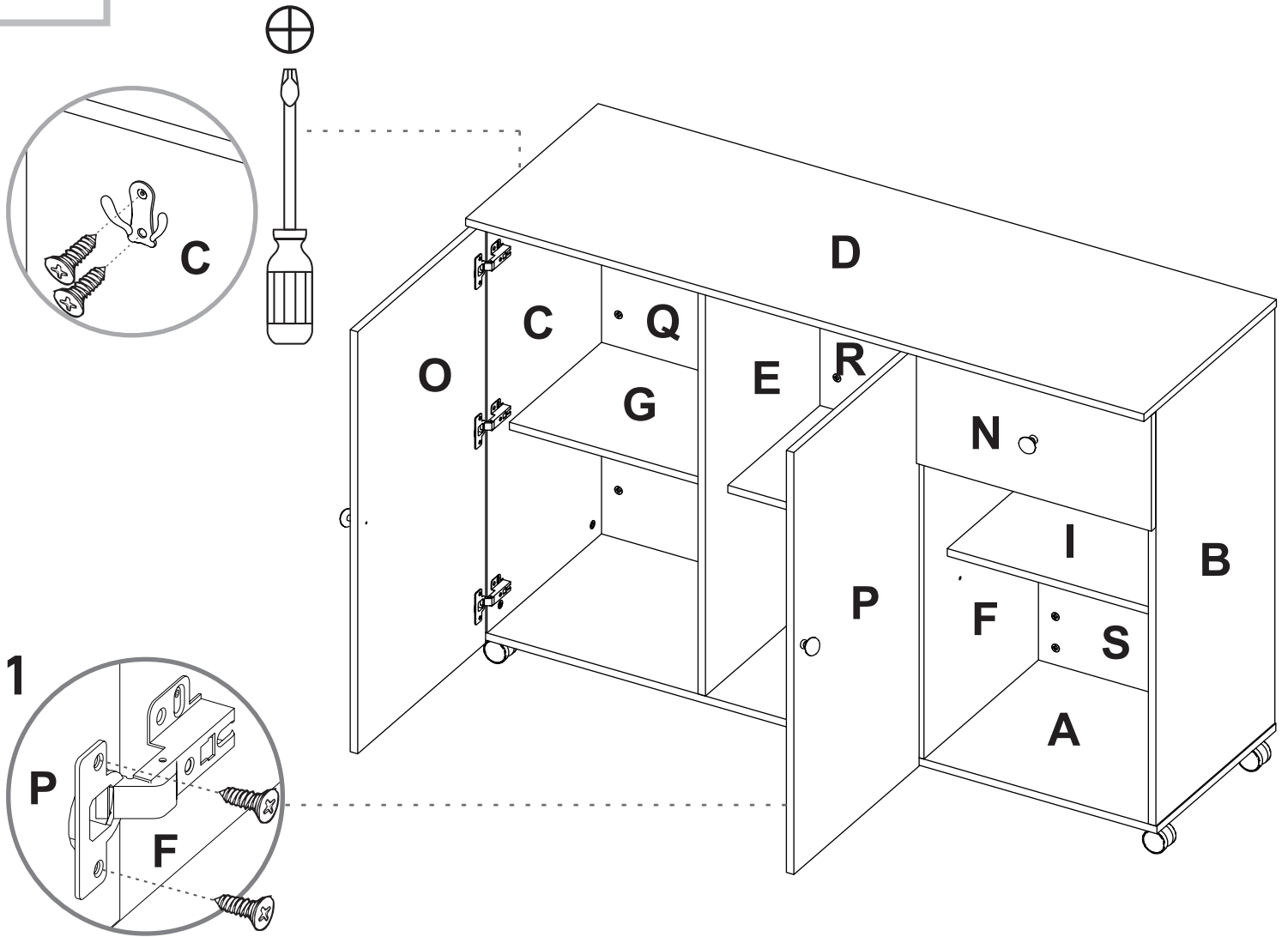


Side adjustment
Ajuste lateral

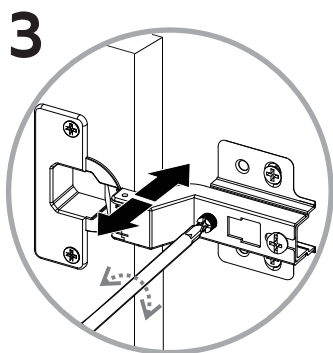


Height adjustment
Ajuste de altura

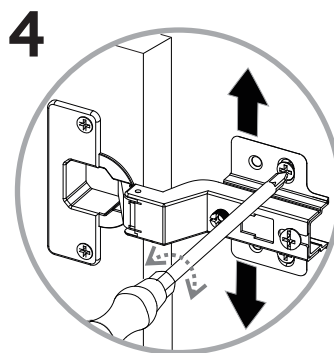




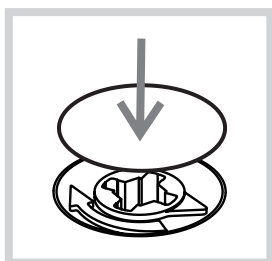
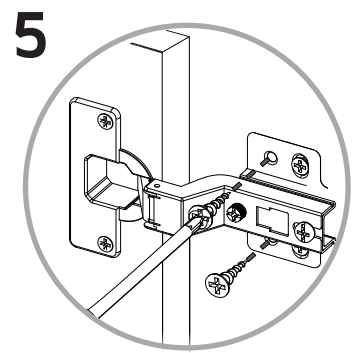
Depth adjustment
Ajuste de profundidad



Side adjustment
Ajuste lateral

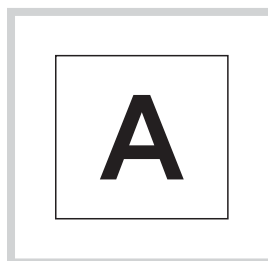


Height adjustment
Ajuste de altura



After you finish the adjustment of the cams, cover them with the cover caps.

Después de ajustar todas las cajas minifix, cúbralas con las tapas adhesivas.



After you finish assembling the cabinet, take off the adhesive letters.

Al terminar de armar, desprenda las letras adhesivas.

WARRANTY POLICY

PÓLIZA DE GARANTÍA

TUHOME Furniture has a 3 year warranty coverage in wooden parts and 1 year warranty coverage in hardware pieces since its manufacturing date, which you can see in the lot number printed on the product box and the assembly instructions leaflet.

Warranty covers materials and workmanship imperfections which impair the assembly or correct functioning of the cabinet.

This warranty is not valid if the defects or imperfections are caused by the incorrect following of the assembly instructions, warnings and recommendations, misuse, intentional damage, fire or flood, or after modifications or any kind of alteration, or repaired by someone not authorized by TUHOME Furniture, when it's been assembled 3 months after the date of purchase. These defects **MUST** be reported before the warranty coverage period ends. Once the product has been assembled, the company will not be responsible for defective and/or damaged parts.

This warranty is **ONLY** valid for the **ORIGINAL PURCHASER**, it doesn't apply if the product has been resold, rented, etc.

TUHOME Furniture will take no liability for incidental or consequential damages caused to or by the product (This may not apply in your state).

To make this warranty valid you must write to our customer service email describing the product defect, lot number and submitting your sales receipt or proof of purchase, or contact us at our customer service line. Replaced parts will be under the product's original warranty coverage period. Damaged parts will become property of the company.

There are no other warranties applicable to this product.