



Underscore® Rectangle

72" x 36" drop-in BubbleMassage™ air bath
K-1835-GCR

Features

- 122 airjets release thousands of bubbles that surround, support, and massage the body.
- Variable-speed blower lets you adjust massage intensity to 18 levels.
- Zones of Control™ feature allows you to target massage to back, midsection, or feet.
- Chromatherapy lighting allows you to select a preferred color scheme to suit your mood.
- Lighted keypad control.
- Spacious design accommodates up to two bathers.
- Integral lumbar support.
- Slotted overflow allows for deep soaking.
- Automatic and manual purge cycles remove residual water from air channels after use.
- Center drain.

Material

- Acrylic.

Hydrotherapy

- BubbleMassage™.
- Chromatherapy.

Installation

- Requires K-7271 or K-7272 Clearflo slotted overflow bath drain (sold separately).
- Drop-in or undermount.
- Under-mount installation requires kit K-593 (sold separately).
- Requires 240 V hard-wired electrical service.

Required Products/Accessories

K-7271 Brass Slotted Overflow Bath Drain

or

K-7272 PVC Slotted Overflow Bath Drain

Recommended Products/Accessories

K-1491 Bath/Whirlpool Pillow
K-1601 Bath/whirlpool footstop, removable
K-593 Under-Mount Installation Kit
K-9497 2-1/2" Keypad Trim
K-24916 Wireless Music Kit
K-1177 Vinyl Tiling-in Bead
K-23726 Drain treatment
K-23732 Tub & shower cleaner



Codes/Standards

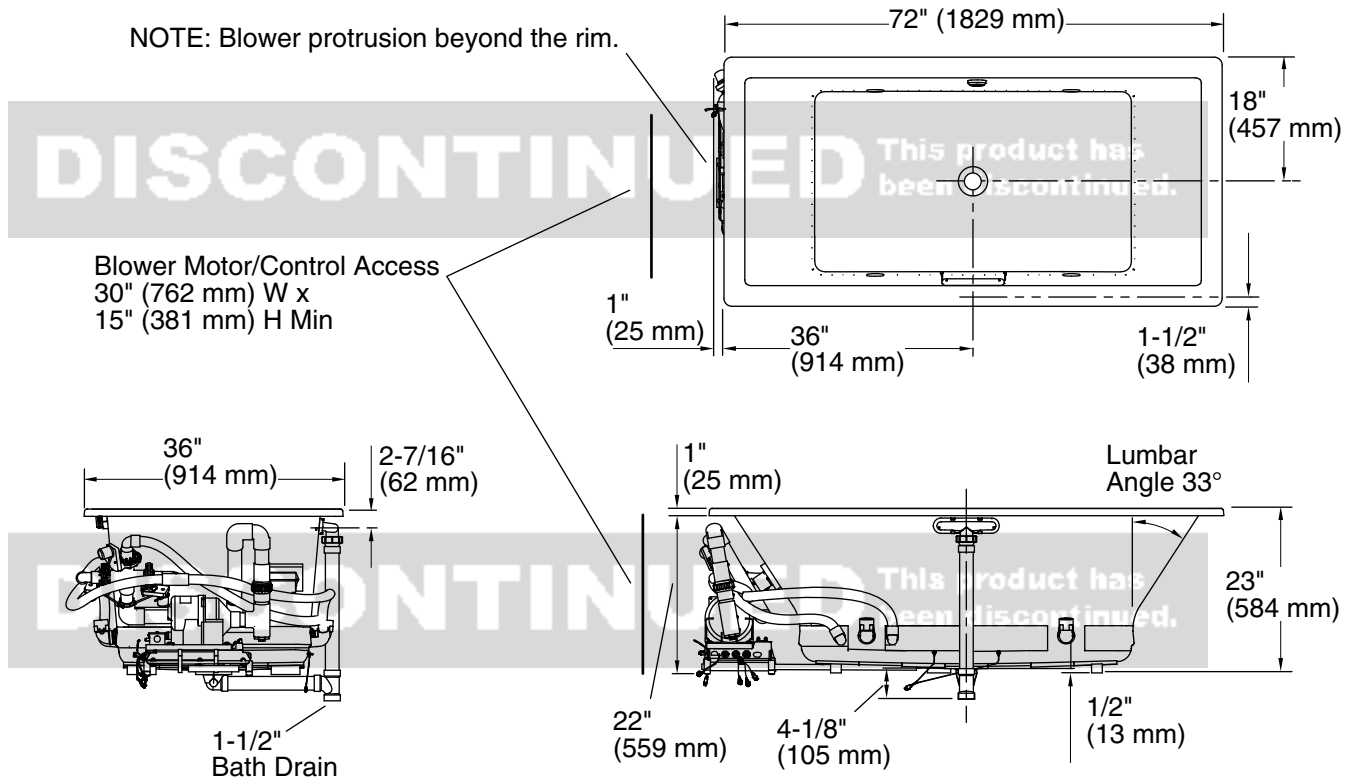
ASME A112.19.7/CSA B45.10
CSA B45.5/IAPMO Z124
ASTM E162
ASTM E662
UL 1795

**KOHLER® Hydrotherapy
Components Five-Year Limited
Warranty**

See website for detailed warranty information.

No change in measurement if connected with drain illustrated. (K-7272)

NOTE: Blower protrusion beyond the rim.



Required Electrical Service

One dedicated circuit required, protected with Class A Ground-Fault Circuit-Interrupter (GFCI). Outside North America, this device may be known as a Residual Current Device (RCD).

Blower: 240 V, 15 A, 50/60 Hz

Technical Information

All product dimensions are nominal.

Installation: Drop-in, Undermount

Drain location: Center

Basin area, bottom: 45-3/4" x 25-15/16" (1162 mm x 659 mm)

Basin area, top: 65-3/8" x 29-5/16" (1661 mm x 745 mm)

Weight: 107 lbs (48.5 kg)

Minimum floor load: 60 lbs/ft² (292.9 kg/m²)

Water depth: 19-7/16" (494 mm)

Water capacity: 112.9 gal (427.4 L)

Cutout: Drop-in, 71-1/2" x 35-1/2" (1816 mm x 902 mm)

Electrical component rating: Blower: 220-240 V, 5 A, 50/60 Hz

Blower speed: Variable

Notes

Measure your actual product for rough-in details.

Install this product according to the installation instructions.

The hot water supply should be 70% of the capacity of the bath or greater. Installations will vary.

Kit is required for under-mount installations (sold separately).

If relocating the blower motor, do not relocate or alter the PVC tee or coiled flexible tubing connected to the blower. Follow the blower relocation instructions exactly. Provide access for servicing the blower.