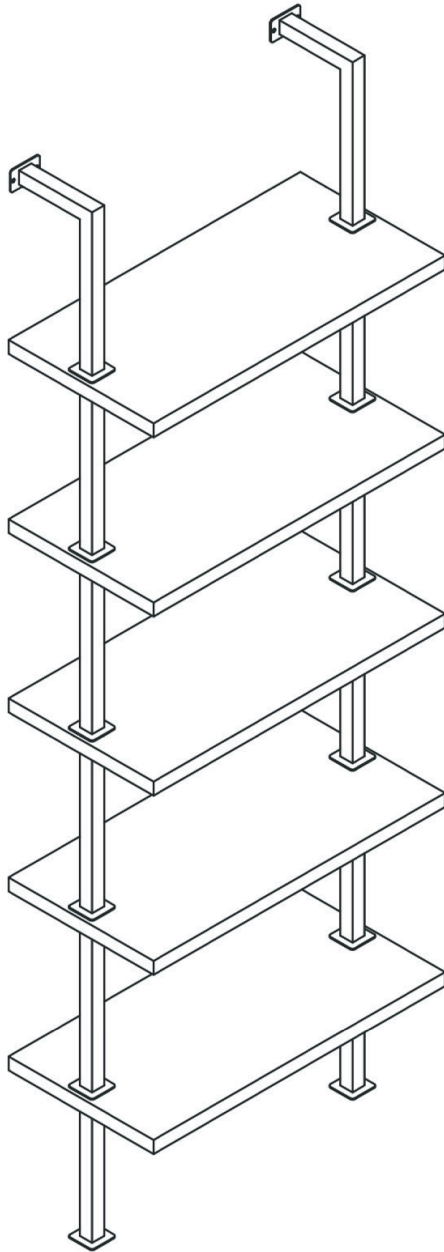


50 MINUTE  
50  
ASSEMBLY



# Ok, let's get rolling

This should be easy, just follow our instructions and you will be back to Netflix in no time.

## Estimated time for assembly



50:00

## What you need

- Some of your favourite bubbly or your preferred relaxant
- Use the packaging carton as a working surface to prevent product damage during assembly
- Phillips head screwdriver (not included)
- Drill (not included)
- 1/4" Drill bit (not included)
- 5/16" Drill bit (not included)

## Weight Limitation



55

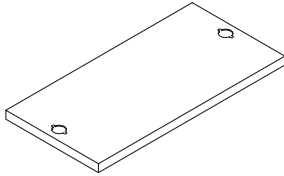
lbs per shelf

## What's included

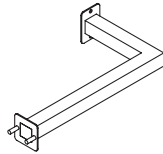
Description	Qty
A Bookcase Shelves	5
B Bookcase Frame Support (top with wall mount)	2
C Bookcase Frame Support (for shelves joint)	8
D Bookcase Bottom Support	2
1 M5*18mm Bolt	20
2 M4.2*32mm Screw for Non-dry-wall Anchor	4
3 M6*30mm Non-drywall Anchors	4
4 Allen Key	1
5 Drywall Anchor	4
6 M4.2*50mm Screw for Drywall Anchor	4

# The goods

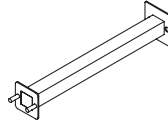
A



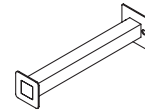
B



C



D



1



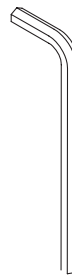
2



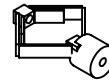
3



4



5



6



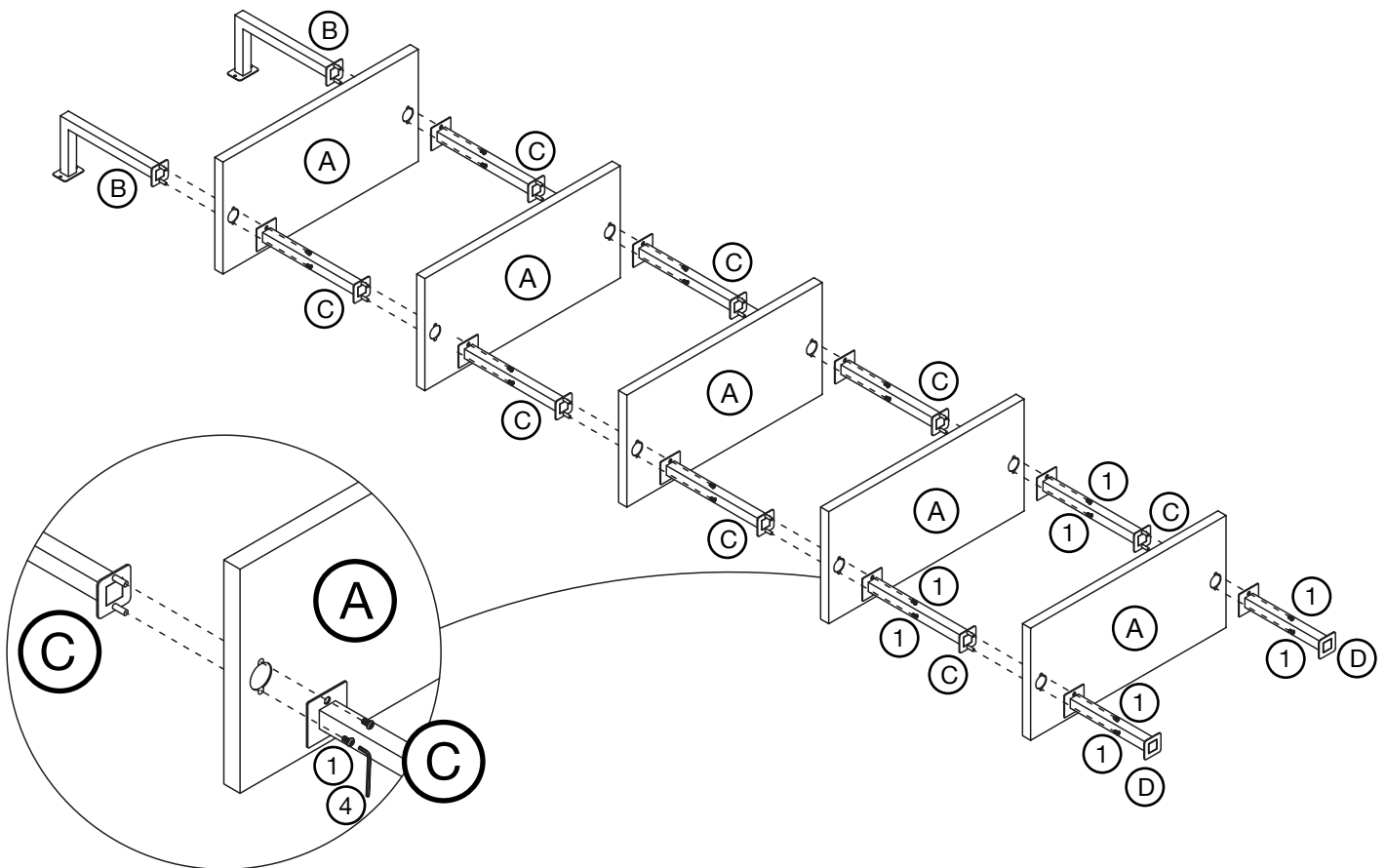
## IMPORTANT

1. Do not tighten bolts / screws completely until all bolts / screws are lined up and inserted into holes.
2. Do not over tighten screws and bolts to avoid stripping.
3. Please use hand tools to assemble this product. Do not use power tools.

# Step 1

Let's get this thing fired up! Lay down packaging carton or use carpet as a working surface. Attach parts B, C, and D to your shelves (part A) with the allen key (included).

Place the top shelf first, then the last shelf. This way it will balance easier for you!

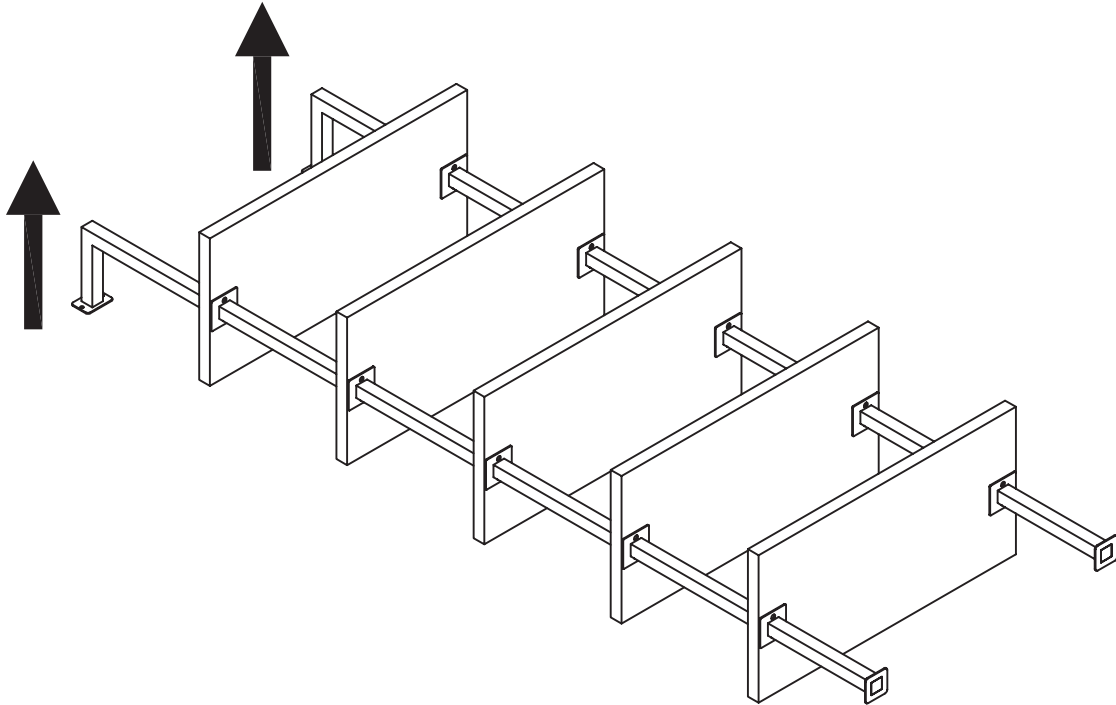


**Tip from one friend to another:**

Ensure the holes in the bookshelves are lined up correctly with bookcase supports before placing all the shelves, then secure with the allen key.

# Step 2

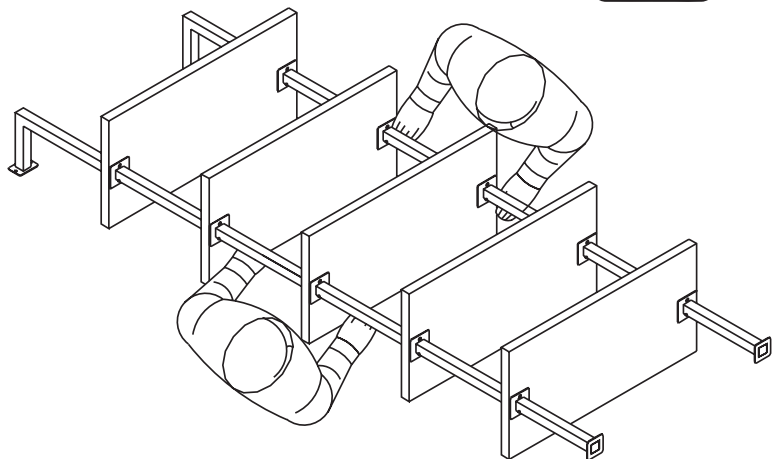
We told you it was going to be easy! Now is a great time to invite a friend over and have them help you secure the bookcase to the wall. Don't skip our important tip section below!



## IMPORTANT TIP

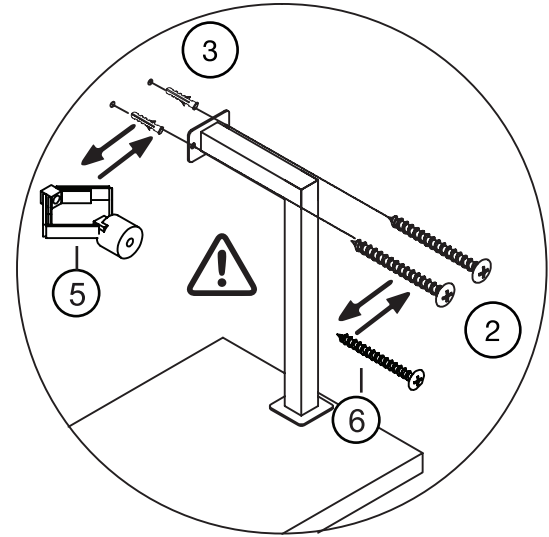
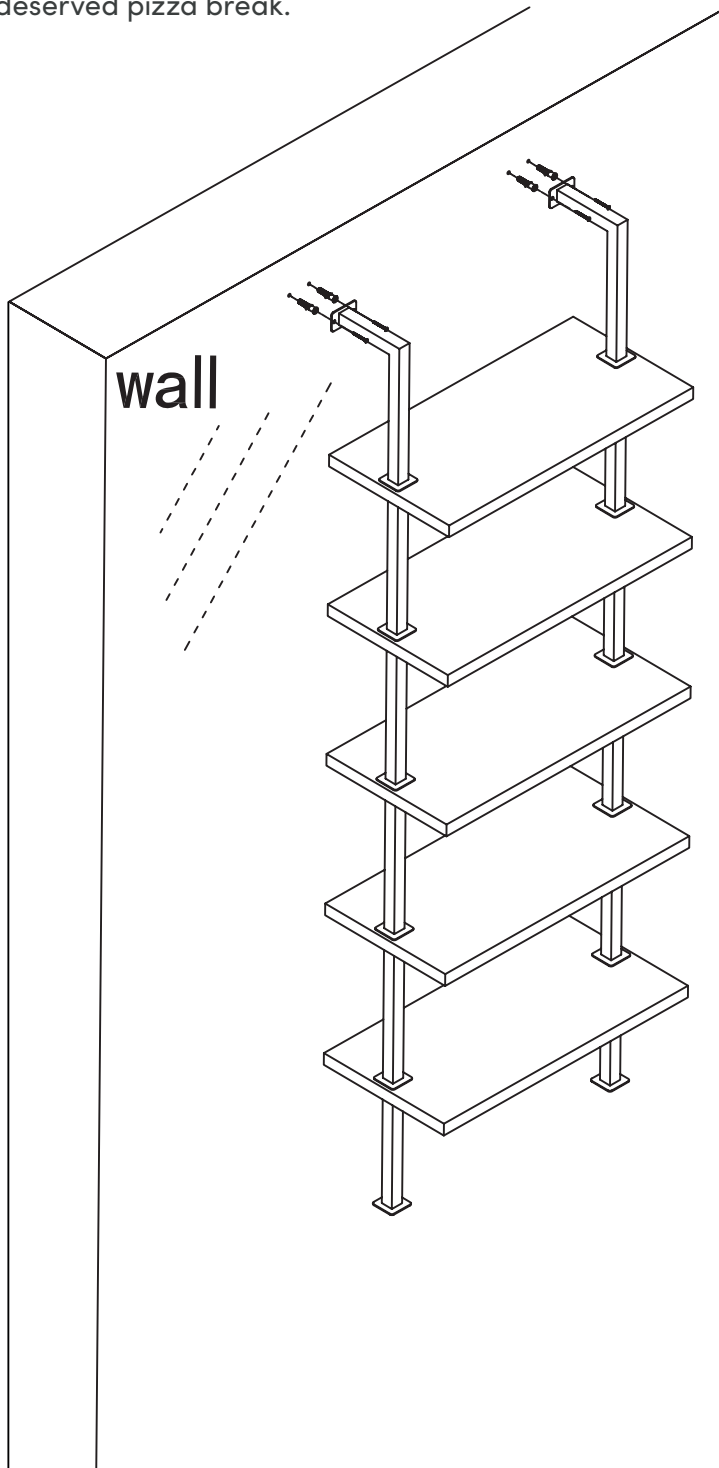
To prevent parts from breaking while placing the bookcase unit upright be sure to:

- 1) Have at least 2 people grab the bookcase on each side prior to lifting to an upright position. (Do not grab & move the bookcase by the top and bottom ends)
- 2) When rotating the bookcase to an upright position, try not to use the feet as a pivot point to avoid applying stress on the components.



# Step 3

Securely attach to your wall!  
You did it! Time for a well-deserved pizza break.



Please note...

Part 2 & 3 are for non-drywall applications. Part 5 & 6 are for drywall applications.

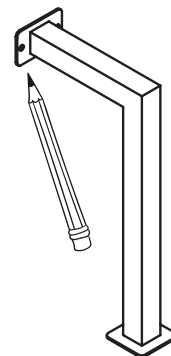
See following pages for more details.

# Step 3 (cont.)

## Non-drywall application

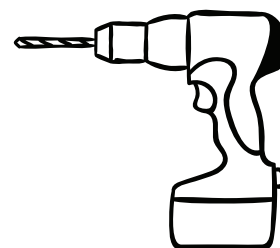
### Mark it

Chose your desired location on the wall, have your friend hold the bookcase in place and use a pencil to mark where the anchors will go.



### 1/4" Drill bit

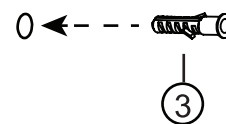
Move bookcase to the side and following the marks you just made, with a 1/4" drill bit, drill 4 holes into the wall.



### Insert the anchors

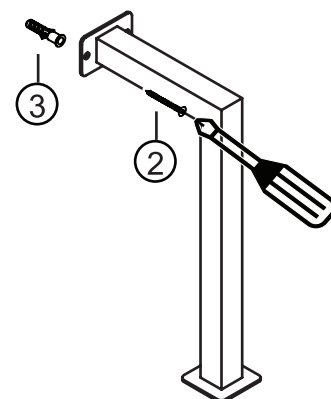
Go ahead and tap the wall anchors into place in the new holes that you just drilled.

*If you're feeling strong, just go ahead and push it in.*



### All about the angle

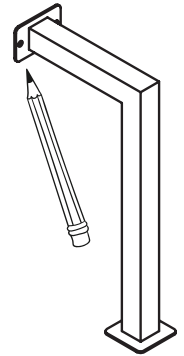
Insert 1 screw through each metal bracket and into the drywall anchor. Tilt your phillips head screwdriver, and secure but do not over tighten.



# Step 3 (cont.) Drywall application

## Mark it

Chose your desired location on the wall, have your friend hold the bookcase in place and use a pencil to mark where the anchors will go.



## 5/16" Drill bit

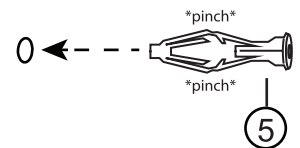
Move bookcase to the side and following the marks you just made, with a 5/16" drill bit, drill 4 holes into the wall.



## Insert the anchors

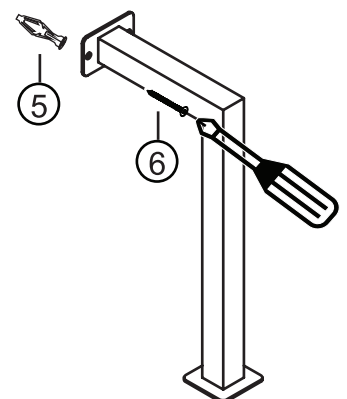
Go ahead and tap the wall anchors into place in the new holes that you just drilled.

*If you're feeling strong, just go ahead and push it in.*

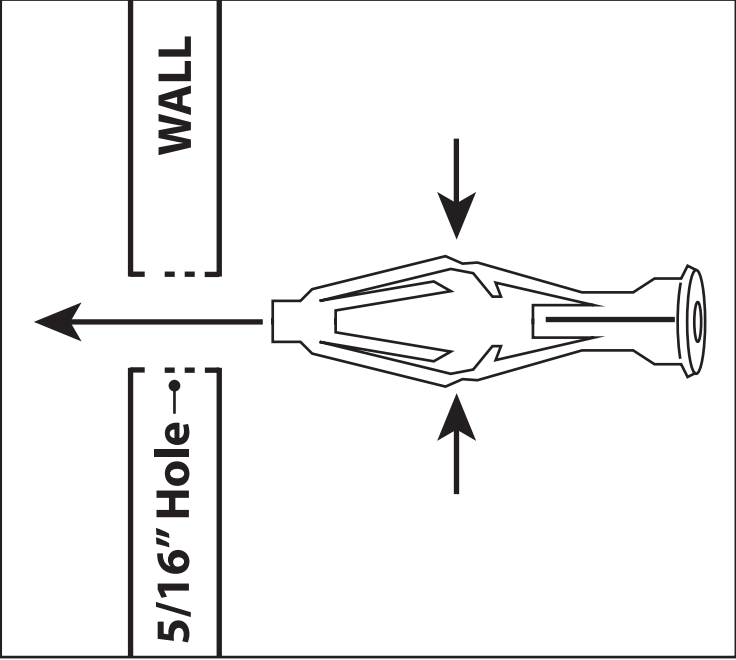
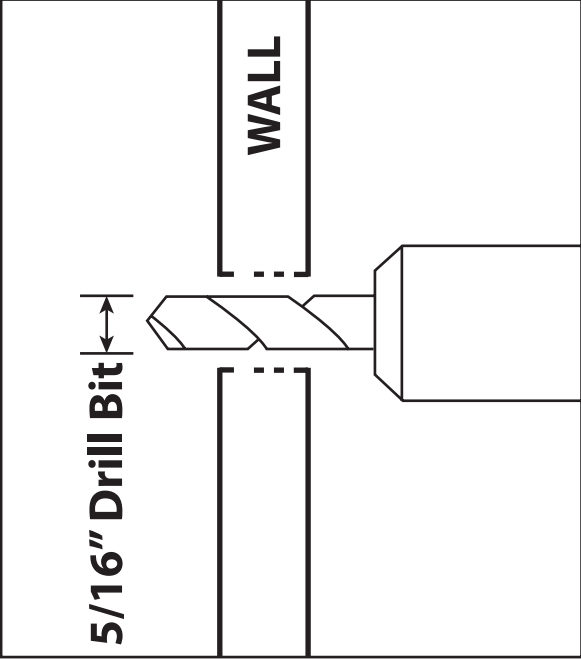


## All about the angle

Insert 1 screw through each metal bracket and into the drywall anchor. Tilt your phillips head screwdriver, and secure but do not over tighten.

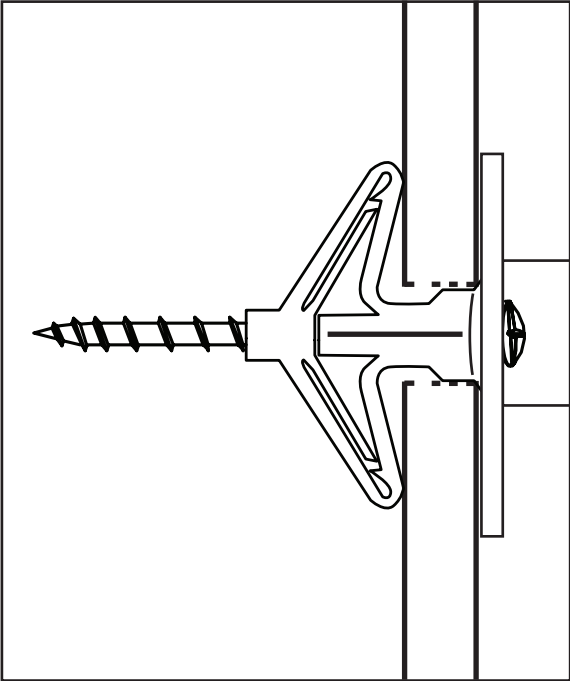
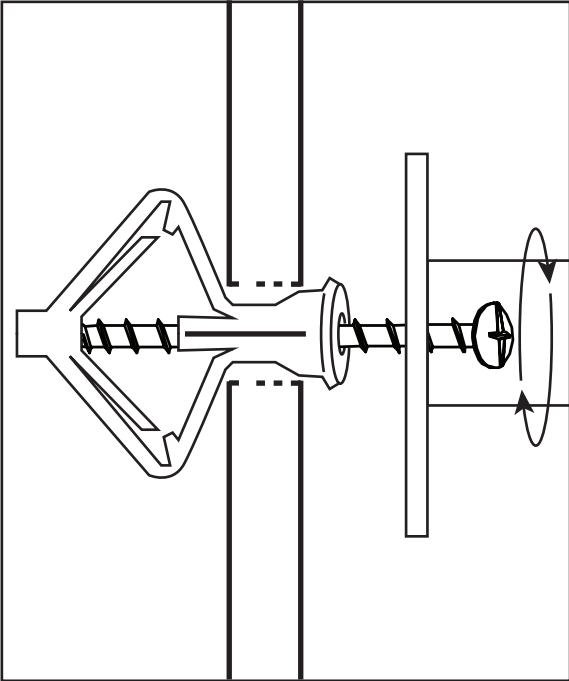


# Step 3 (cont.) How to use drywall anchors



1. Drill hole with 5/16" bit

2. Pinch and insert



3. Begin tightening

4. Tighten to 100%

# No heartburn, when we handle the return

## Our way



Give us a call

---



Replacement

---



You

## Their way



Re-package item

---



Schedule pick up

---



Track package

---



Replacement

---



You

We really don't want you to go through the hassle of re-packaging your item and sending it back, because let's be honest...nobody has time for that.

# Safety first, fun later

We want your Bookcase to last as long as possible, so we recommend that you tighten the screws 2 weeks after assembly and for added safety check the tightness of all screws every 2 months.

## Safe use of this product starts with you.

Use this bookcase responsibly with the primary concern for your safety. Follow assembly instructions carefully and inspect product upon receipt and each use.

## Do not modify the structure of this product in any way.

Our products have been tested to meet specific safety measures as they were originally intended to be sold.

## Proper use

- DO NOT** use for commercial purposes
- DO NOT** climb on bookcase
- DO NOT** exceed weight limit
- DO NOT** leave spilled liquid on shelves
- DO NOT** use if bookcase is damaged or broken
- DO NOT** make temporary repairs
- DO NOT** use outdoor

# We are only in business if you're happy

For starters, thanks for being you.

We do our best to ensure your furniture arrives without any problems, but occasionally mistakes happen—as humans we are imperfect beings. In the event that a part is damaged or missing, we will be more than happy to provide you with replacement part(s) for free.

## **Warranty**

This product comes with a lifetime warranty from the date of purchase.

### **Did we do alright? Please spread the love!**

If you are happy with your product, tell your friends and family about us or even better leave us a review online. Spreading the word gives us the opportunity to make more people happy and keep our prices low for your next purchase.