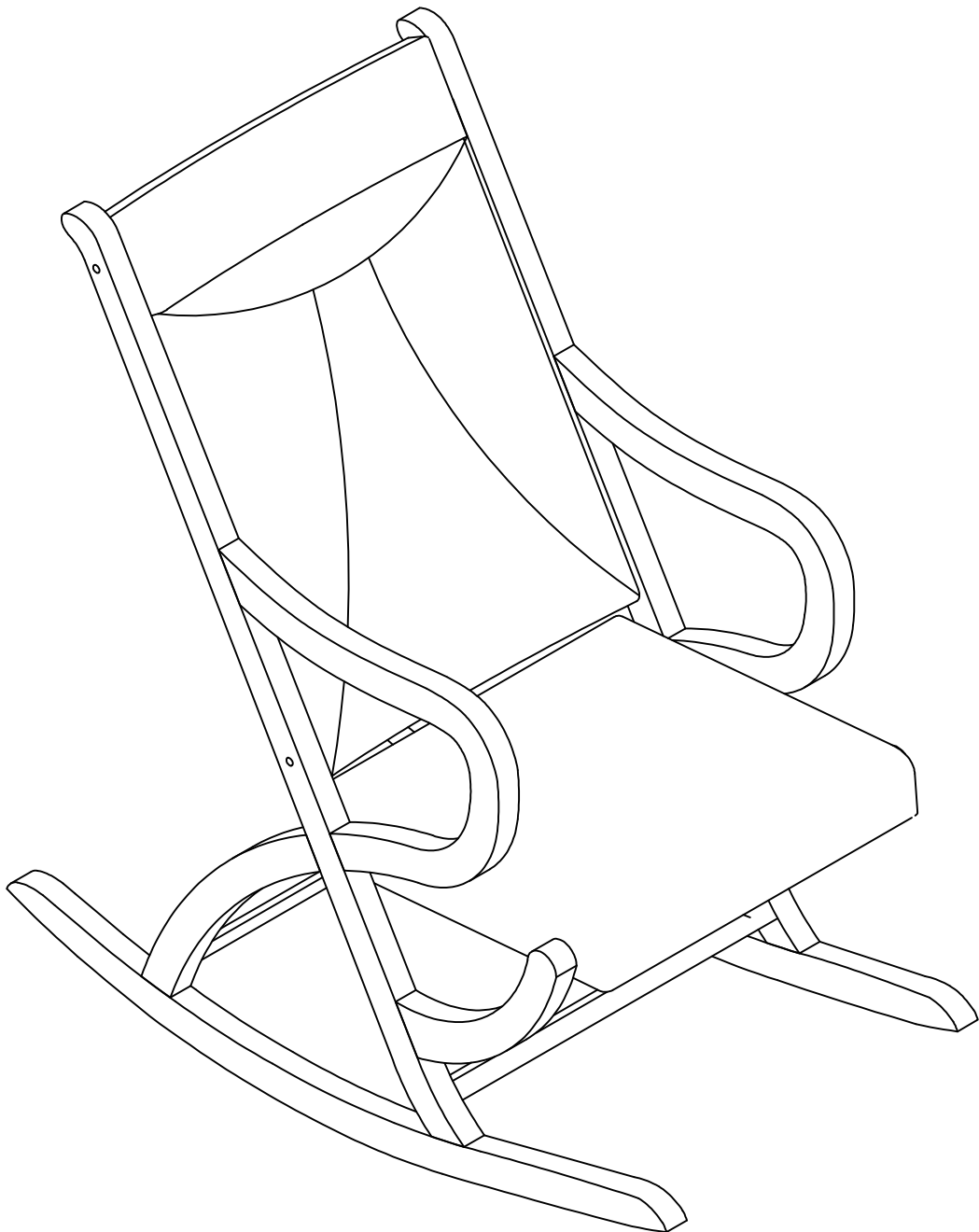


ASSEMBLY INSTRUCTION

ROCKING CHAIR



ASSEMBLY INSTRUCTION


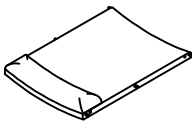



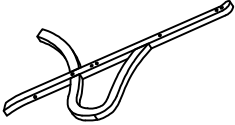

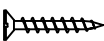



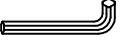
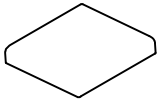



ASSEMBLY TIPS :

- 1 . Remove hardware from box and sort by size .
- 2 . Please check to see that all hardware and parts are present prior start of assembly .
- 3 . Please follow attached instructions in the same sequense as numbered to assure fast & easy assembly .



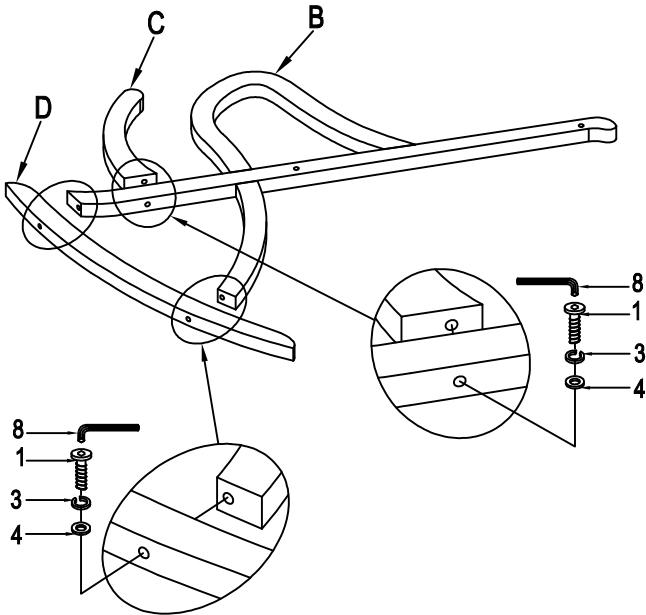
Warning !

- 1 . Don't attempt to repair or modify parts that are broken or defective . Please contact the store immediately .
- 2 . This product is for home use only and not intended for commercial establishment .

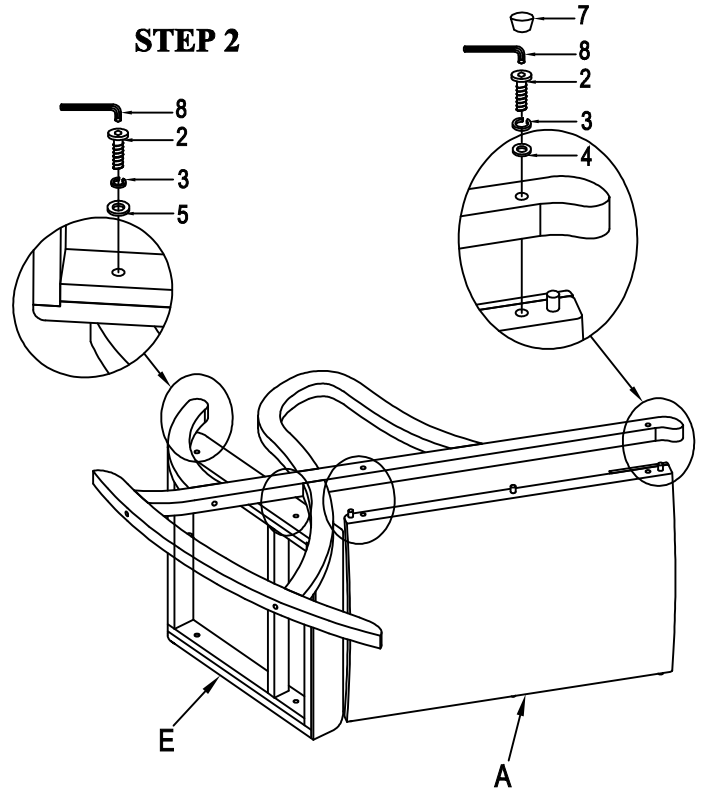
HARDWARE LIST				PARTS LIST			
1	Ø 1/4" x 50mm		6 PCS	A	CHAIR BACK		1PC
2	Ø 1/4" x 38mm		8 PCS				
3	Ø 1/4" x10.5mm		14 PCS				
4	Ø1/4" x 12mm		10 PCS	B	BACK LEG (L & R)		2PCS
5	Ø1/4" x 19mm		4 PCS				
6	Ø1/4" x 38mm		4 PCS	C	SIDE STRETCHER (L & R)		2PCS
7	Ø13x 8mm		4 PCS	D	LEG		2PCS
8	ALLEN KEY M4		1PC	E	SEAT PAD CUSHION		1PC
8	Screwdrivers						
				F	FRONT STRETCHER		1PC
				G	SEAT FRAME BOTTOM RAIL		1PC

ASSEMBLY INSTRUCTION

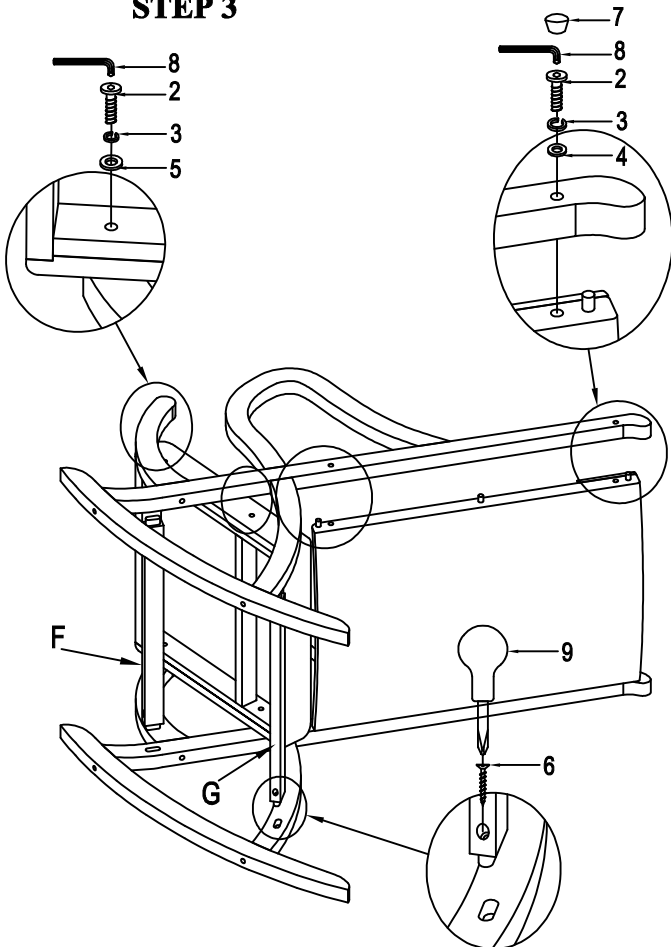
STEP 1



STEP 2



STEP 3



STEP 4

