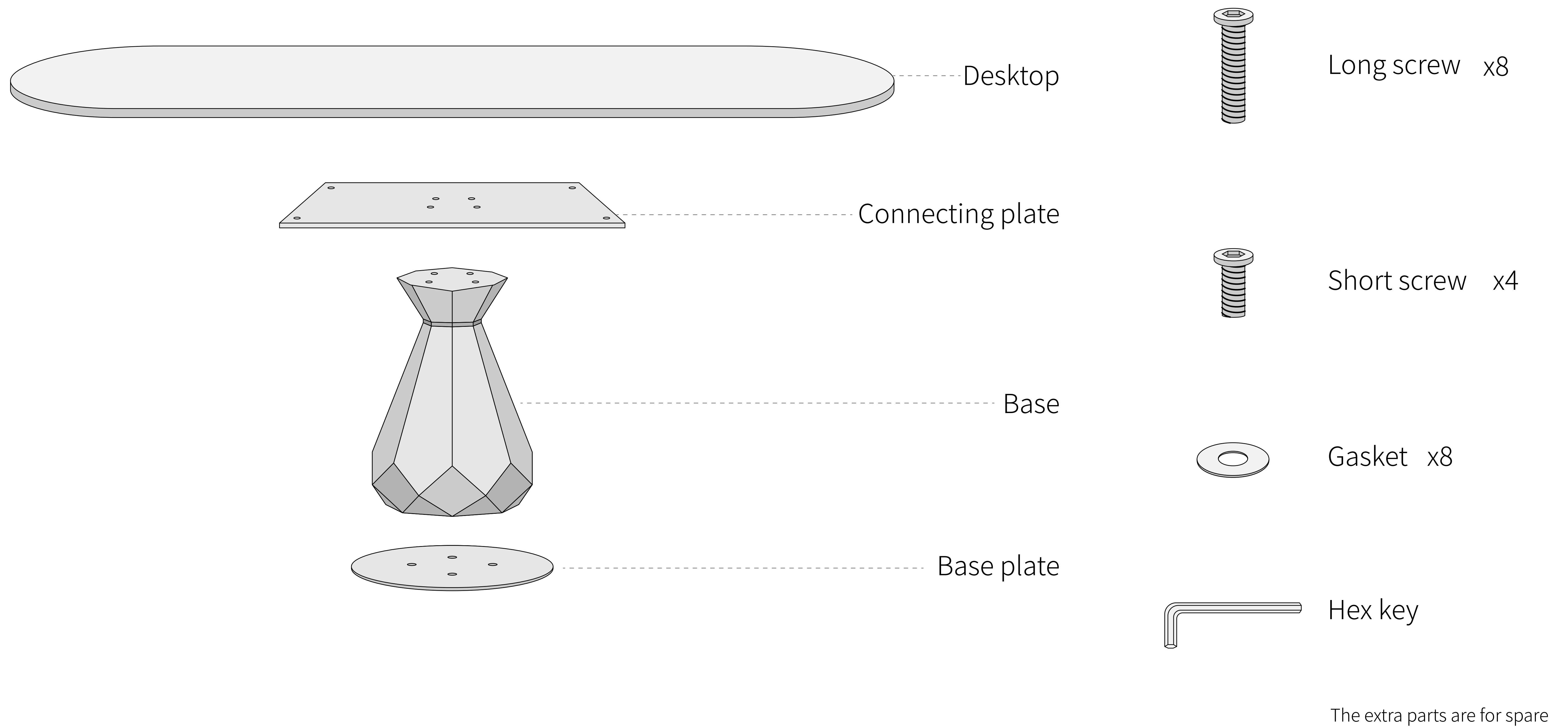
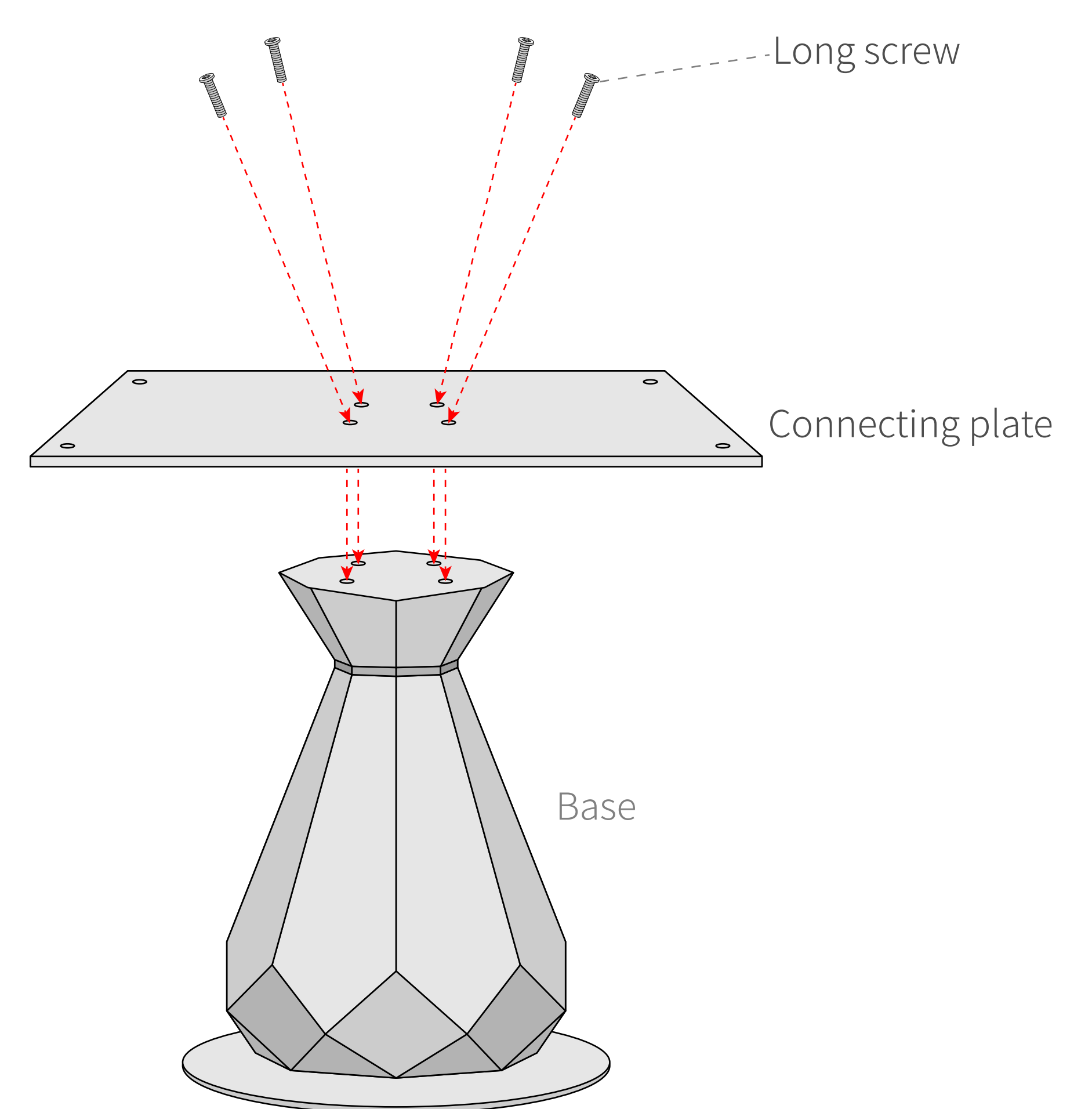
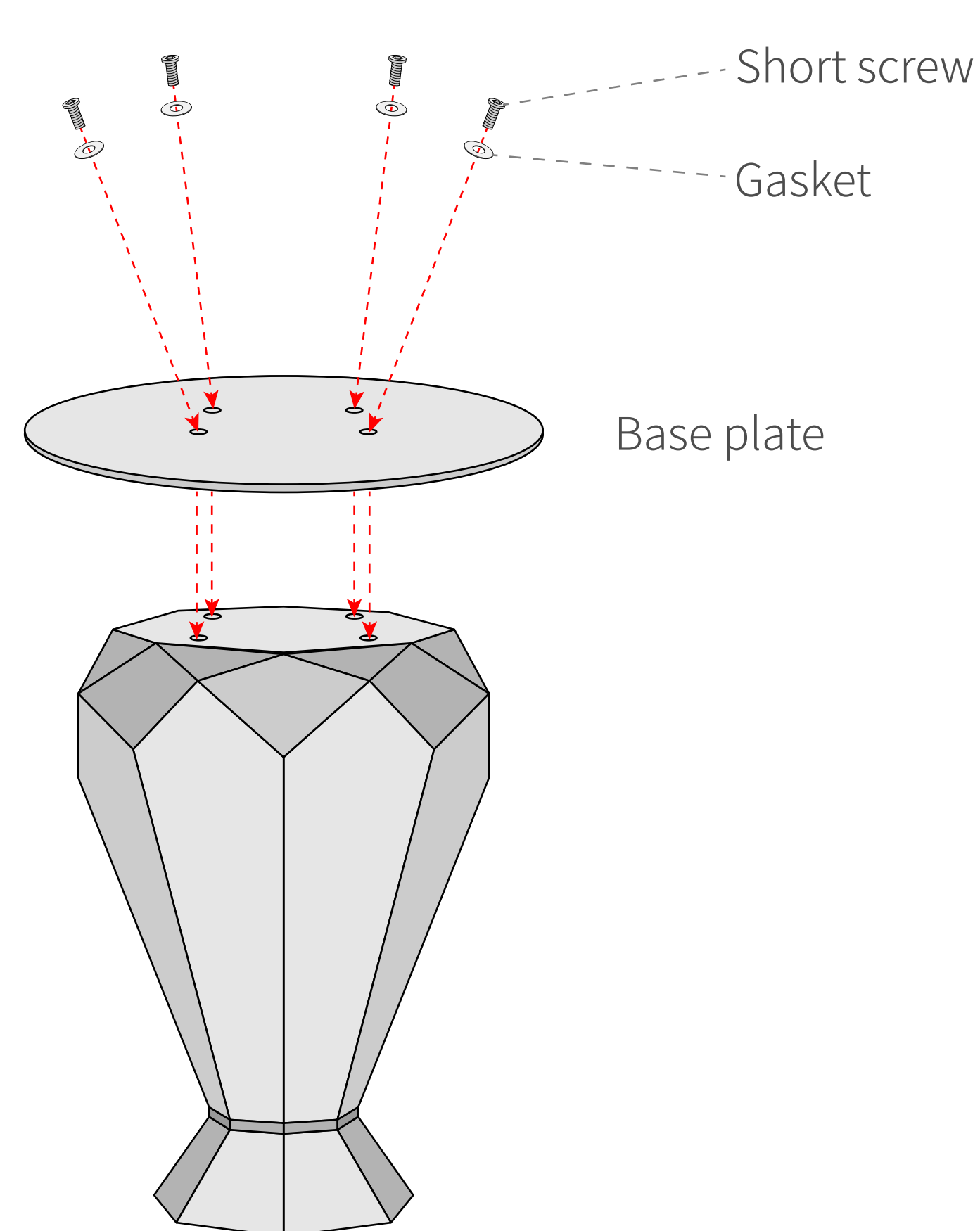


INSTALLATION INSTRUCTIONS

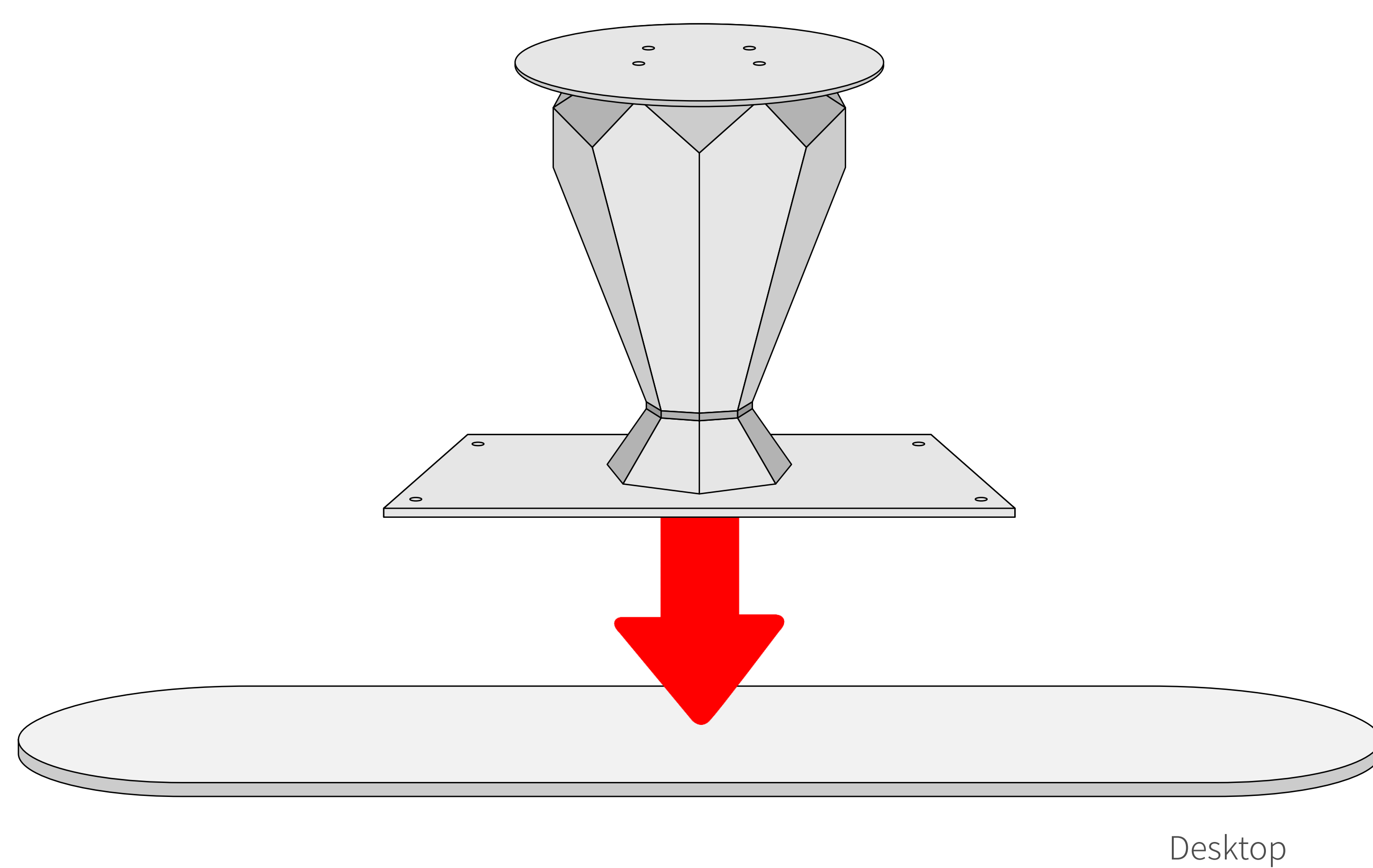
PARTS LIST



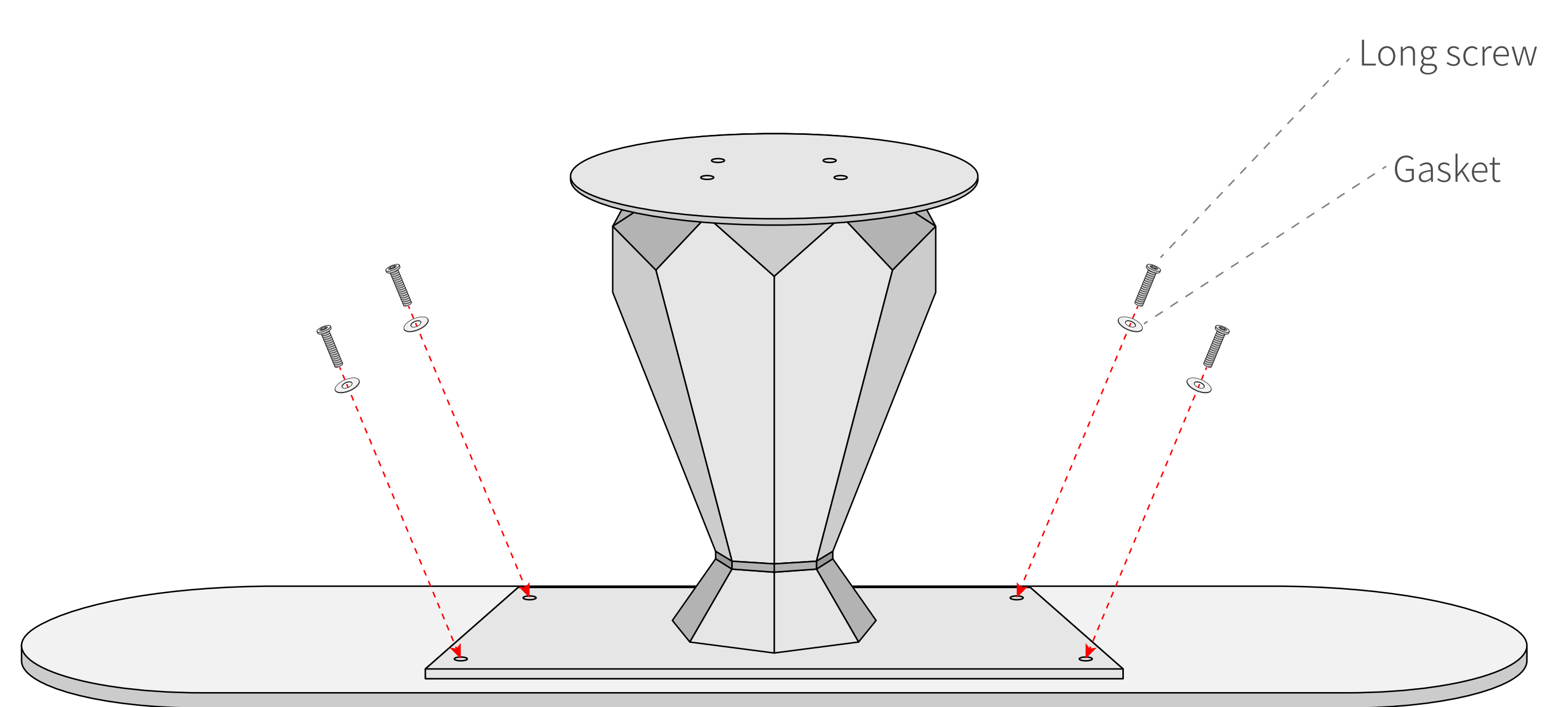
- STEP 1**
Flip the "Base" over and attach the "Base plate" to the bottom of the "base" with the "Short screw"
- STEP 2**
Attach the "Connecting plate" to the "Base" with the "long screw"



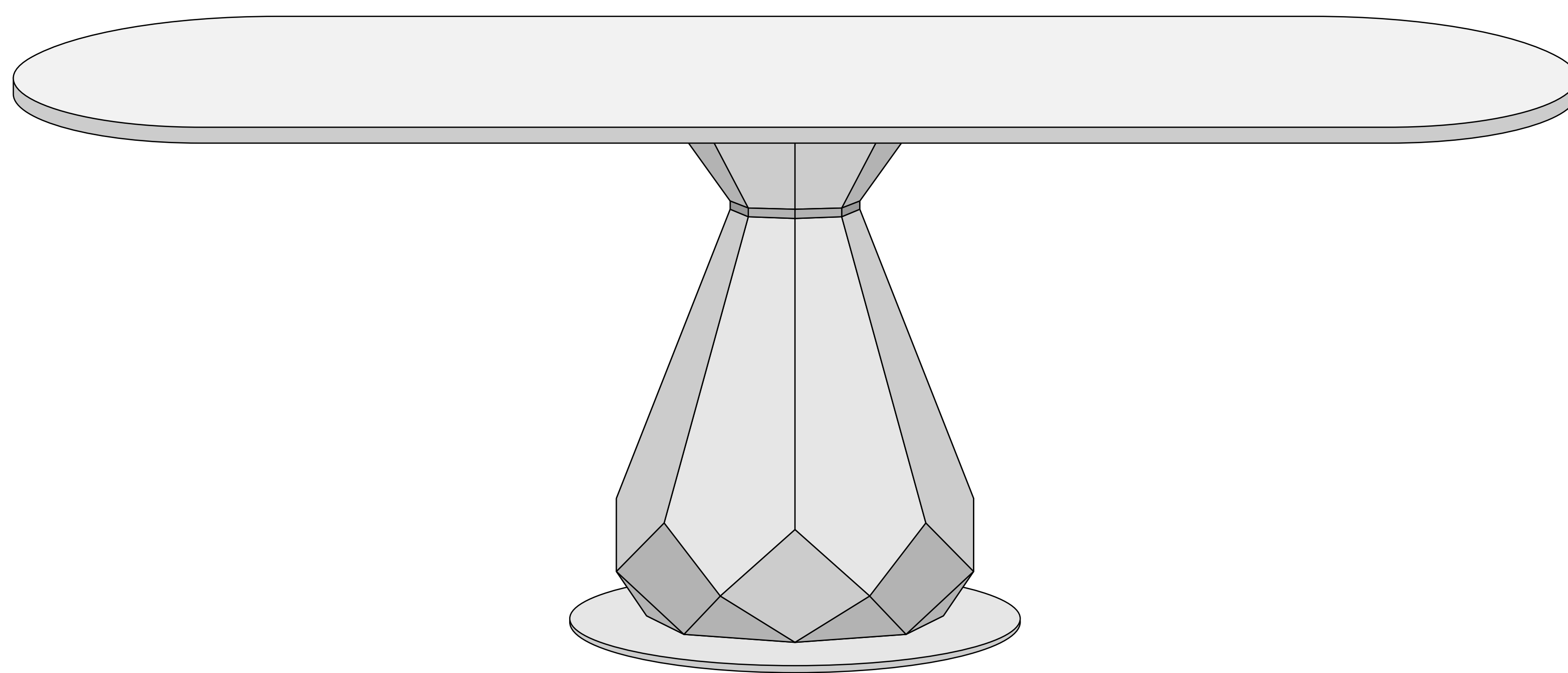
- STEP 3**
Turn the table top upside down and place the base on the back of the table



- STEP 4**
Fixing "Connecting plate" and "Desktop" with long screw



Installation complete



MARBLE CLEANING. MAINTENANCE. PRECAUTIONS

· REGULAR CLEANING:

The marble floor should be cleaned with special cleaning agents to avoid damaging the surface structure. In general, a neutral cleaner, such as alcohol or warm water, should be used and then wiped with a clean cloth to maximize the cleaning of the surface

· DECONTAMINATION:

To remove dirt on the marble floor, you can use a one-time wet, and then rinse it off with water. If there is oil, you can use dish soap, but be careful not to use too much, so as not to damage the floor structure

· MAINTENANCE:

The marble floor should be regularly maintained with paraffin wax to increase the surface light, and to effectively protect the surface from pollution erosion. In addition, it is also important to polish the ground regularly to maintain the finish and water resistance of the ground.

· NOTE:

When cleaning, note: do not use detergent containing acid components, do not use metal or other hard objects to clean the marble floor, so as not to wear the surface