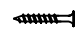






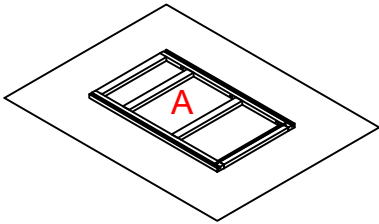


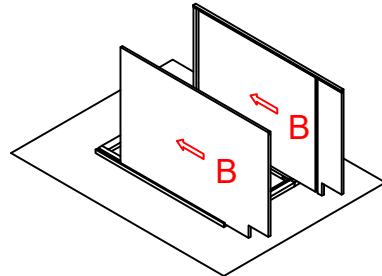
Base Cabinet Assembly Instruction (Item:CVJ12-3/CVJ15-3)

Hard Ware List	1 8PCS $\varnothing 4 \times 25\text{mm}$ Flat head screw	5 40PCS $\varnothing 4 \times 12\text{mm}$ Flat head screw	6 10PCS Corner brackets	8 3SET Slide	9 6PCS prop	10 3SET slide lock	11 12PCS Bumper
							
Cabinet Parts List	A Frame	B Side panels(2)	C Bottom panel	D Back panel	E Toe kick	H Drawer front(3)	
	I Drawer front panel (3)	J Drawer back panel (3)	K Drawer side panel(6)	L Drawer bottom panel (3)			
	O panel beam(2)						

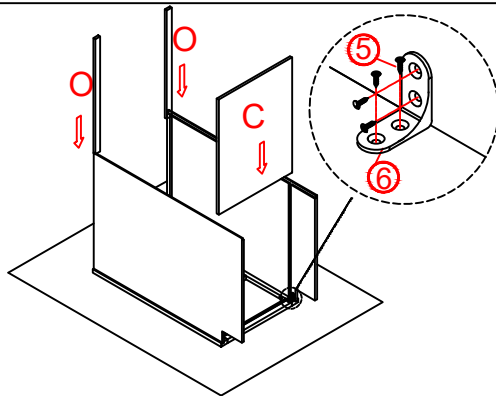
Step1:



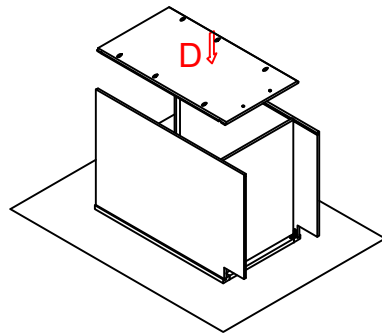
Step2:



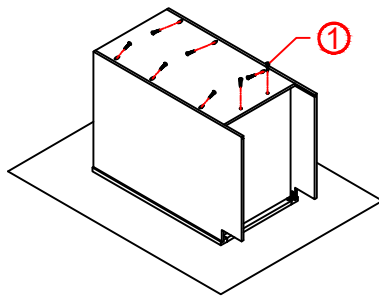
Step3:



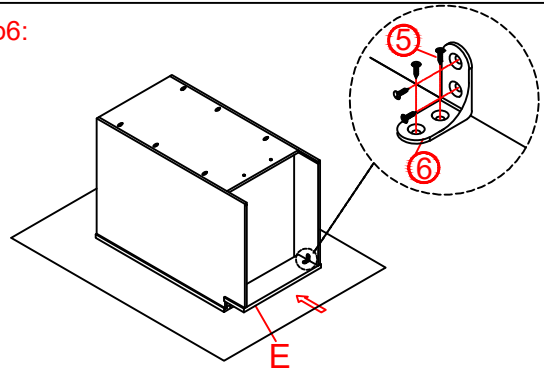
Step4:



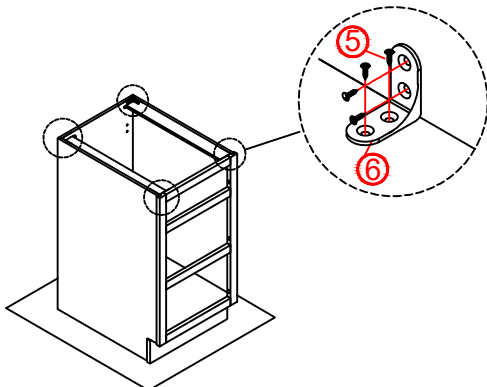
Step5:



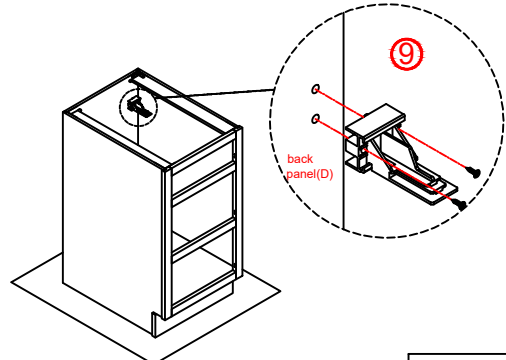
Step6:



Step7:



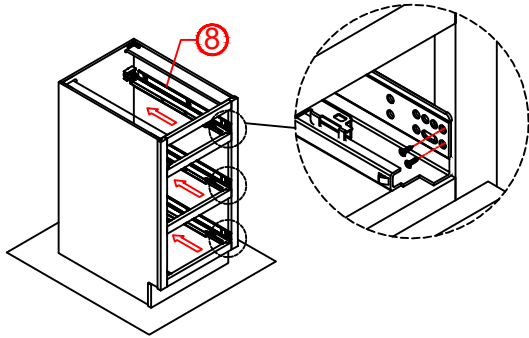
Step8:



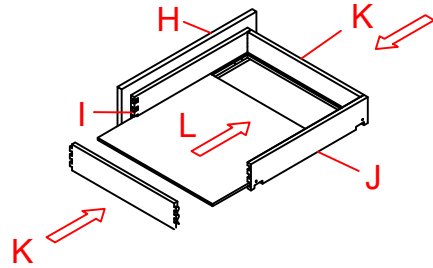
Base Cabinet Assembly Instruction (Item:CVJ12-3/CVJ15-3)

Hard Ware List	1	20PCS	Ø4×25mm	5	40PCS	Ø4×12mm	6	10PCS	3SET	8	3SET	9	6PCS	10	3SET	11	12PCS	
	Flat head screw		Flat head screw		Corner brackets		Slide		prop		slide lock		Bumper					
Cabinet Parts List	A	Frame		B	Side panels(2)		C	Bottom panel		D	Back panel		E	Toe kick		H	Drawer front(3)	
	I	Drawer front panel (3)		J	Drawer back panel (3)		K	Drawer side panel(6)		L	Drawer bottom panel (3)		O	panel beam(2)				

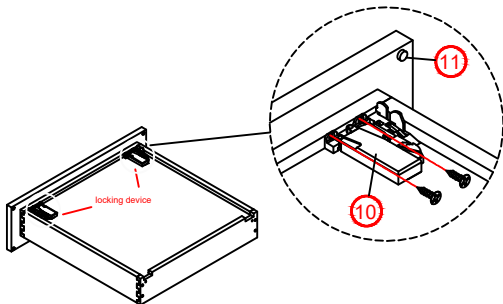
Step9:



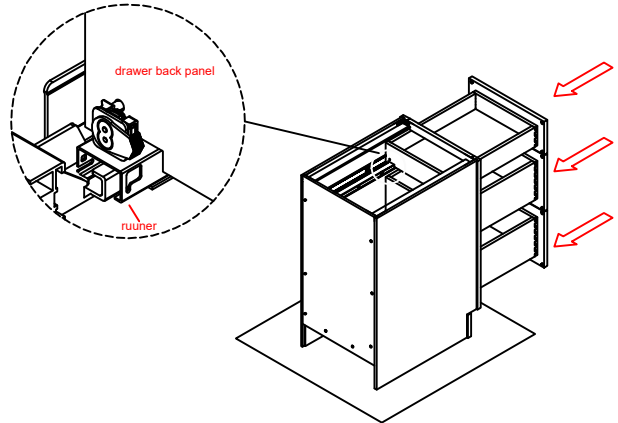
Step10:



Step11:



Step12:



Step13:

