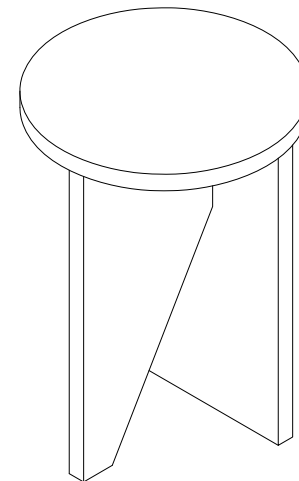


BONACLARA WOOD 2 LEG TABLE

DESIGN# SFV2156

Assembly Instructions



Need help?

Feel free to contact us via email or call
if you have any specific questions!

contact us:

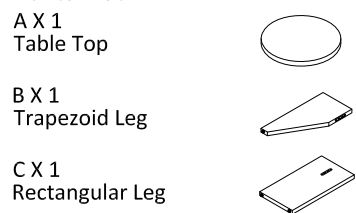
cs@safavieh.com
866-422-9070

SAFAVIEH
C O U T U R E

Thanks for bringing Safavieh Couture into your home

Everything we make is incredibly simple to set up, including your new Accent Table. You won't need any additional tools.

Parts List

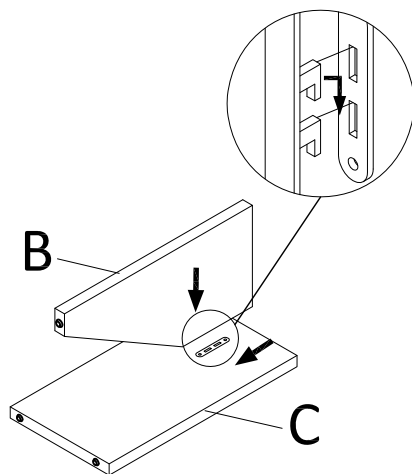


Hardware List



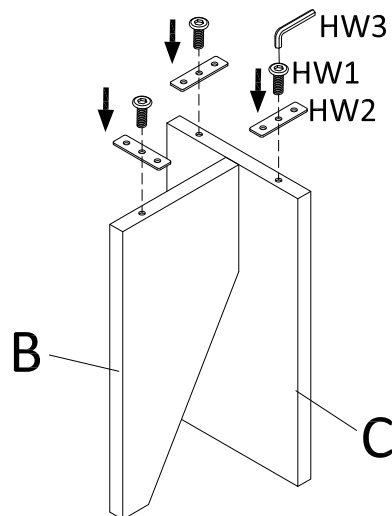
1

Lay the Rectangular Leg (C) out on a soft and clean surface. Insert the double hook on the Trapezoid Leg (B) into the slot of the Rectangular Leg (C) and push it to the end.



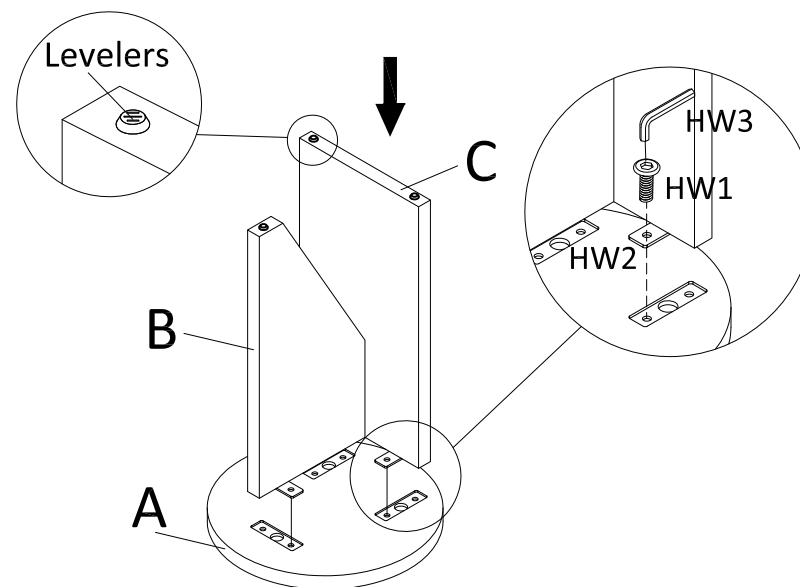
2

Turn the assembled legs upright and align the center screw hole on the Metal Plates (HW2) to the screw holes on the top of the legs. Use the Allen Key (HW3) to screw in the 3 Hex Socket Bolts (HW1) to attach each Metal Plates (HW2).



3

Place the Table Top (A) upside down on a soft and clean surface. Align the screw holes on the Table Top (A) to the screw holes on the Metal Plates (HW2). Use the Allen Key (HW3) to screw in the 6 Hex Socket Bolts (HW1) to attach the Metal Plates (HW2).



4

Turn the Accent Table upright. Place the Accent Table in the place where you will use it. Follow the installation instructions of the anti-tip hardware (HW4) to attach the Accent Table to the wall. Adjust the levelers on the bottom of the legs as needed to make the table level. We'd love to see it -- just tag us (we're @safavieh) and use the hashtag #safavieh on Instagram!

