







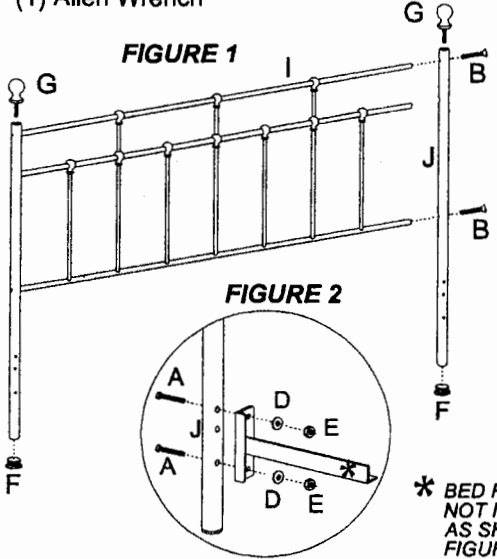


## HEADBOARD

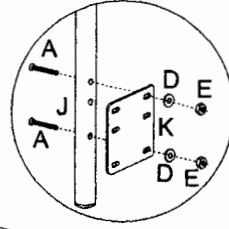
UNLESS OTHERWISE STATED, PLEASE DO NOT TIGHTEN BOLTS (AND/OR) SCREWS UNTIL UNIT IS COMPLETELY ASSEMBLED. Examine all packaging material for small parts that may have come loose during shipment. Periodic checks are recommended to insure that all components are in proper position, tight and free from damage. Keep this assembly instruction for future reference. Adult assembly required.

HARDWARE LIST	PARTS LIST	
A (4) Long Allen Bolts	I (1) Headboard Grill	
B (4) Medium Allen Bolts	J (2) Headboard posts	
C (4) Short Allen Bolts	K (2) Adapter Plates	
D (8) Metal Washers		
E (8) Hex Nuts		
F (2) Foot Glides		
G (2) Finials		
H (1) Allen Wrench		
		
		

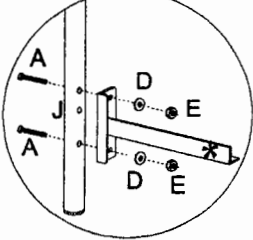
  



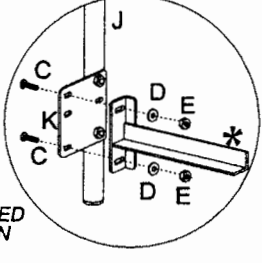
**FIGURE 1**



**FIGURE 3**

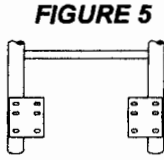


**FIGURE 2**



**FIGURE 4**

\* BED FRAME NOT INCLUDED AS SHOWN IN FIGURE 2 & 4



**FIGURE 5**

**STEP 1 FOR FULL AND QUEEN SIZE**

Begin by attaching 1 Foot Glide (F) to bottom of each Headboard Post (J), by firmly inserting. Next, insert 1 finial (G) into top of each headboard post. Firmly Tighten.

**STEP 2 FOR FULL AND QUEEN SIZE**

Attach Headboard Posts (J) to Headboard Grill (I) using 2 Medium Allen Bolts (B) per each side. Tighten All Bolts. See Figure 1.

**STEP 3 FOR QUEEN SIZE ASSEMBLY ONLY**

Fasten Bed Frame (Bed Frame Not Included) to Headboard Post (J) using 2 Long Allen Bolts (A), 2 Metal Washers (D) and 2 Hex Nuts (E) per Post. Tighten All Bolts. See FIGURE 2. Discard Adapter Plates (K).

**STEP 4 FOR FULL SIZE ASSEMBLY ONLY**

Secure Adapter Plates (K) to Headboard Post (J) as shown in Figure 3 using 2 Long Allen Bolts (A), 2 Metal Washers (D) and 2 Hex Nuts (E), per Post. Tighten All Bolts and Nuts. Make Sure Adapter Plates Face Inwards. See FIGURE 3

**STEP 5 FOR FULL SIZE ASSEMBLY ONLY**

Fasten Bed Frame (Bed Frame Not Included) to Adapter Plates (K) using 2 Short Allen Bolts (C), 2 Metal Washers (D), and 2 Hex Nuts (E) per Adapter Plate (K). Tighten All Bolts and Nuts. See FIGURE 4.

**CARE & MAINTENANCE:** The touch of a soft cloth is all the maintenance the finish will ever need. Please do not use harsh or abrasive cleaners for polishing, as they may cause damage to the finish. Periodic checks are recommended to make sure that all bolts, screws and nuts are securely tightened.