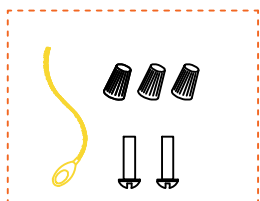
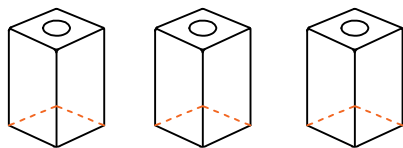
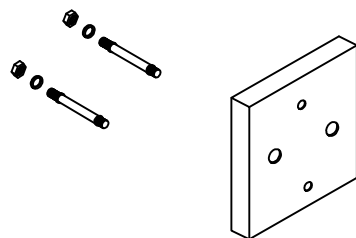
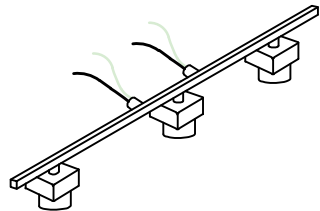
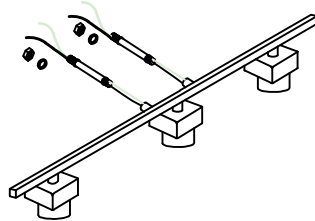


Parts

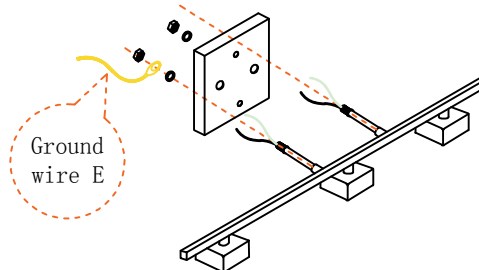


Steps ①



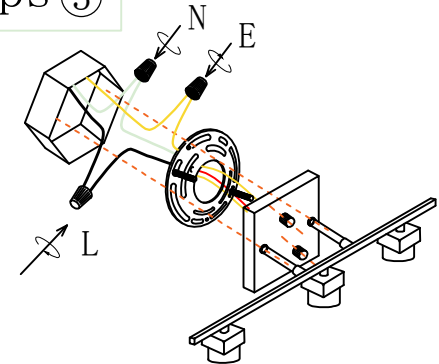
Get through the lamp wire to short rod, and screw the rod to the light fixture

Steps ②



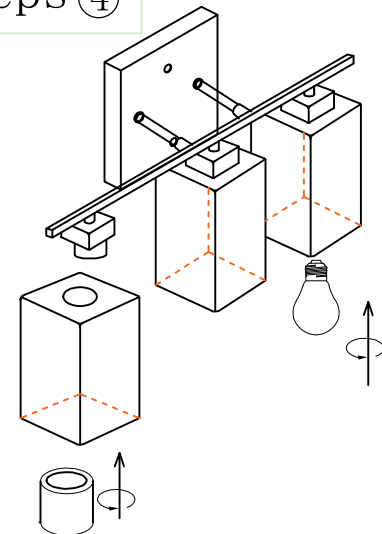
Get through the lamp wire to the canopy and screw the canopy to the short rod. (Use one of the nuts to lock the ground wire E)

Steps ③



1. Assembled the mounting bracket to the ceiling junction box with the screw
2. Connect the power cord out from the ceiling junction box to lamp wires with the lead wire and wire nut. according the color to connect. (U.S. -black for "L", white for "N", copper wire for "Ground E")
3. Assemble the canopy to the mounting bracket by tightening the ball nuts

Steps ④



1. Install the lamp shade
2. Install the light bulb (bulb not included)