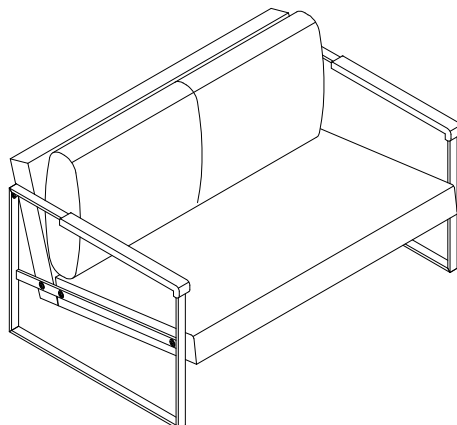








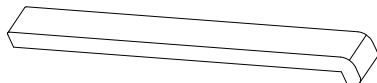
① ASSEMBLY INSTRUCTION

MODEL NO.L5516

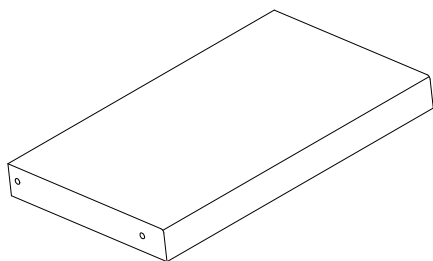


Components/QTY	Components/QTY	Components/QTY
A 4PCS  1/4*16MM	B 4PCS  1/4*1"	C 1PC  1/4*56MM
D 6PCS  5/16*19MM	E 8PCS  5/16*2-1/2"	F 1PC  5/16*60MM

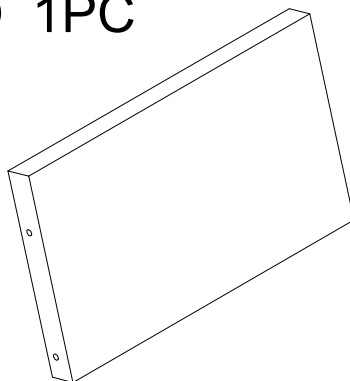
G 2PCS



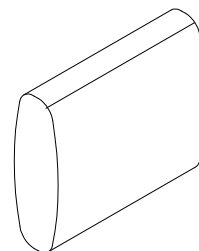
① 1PC



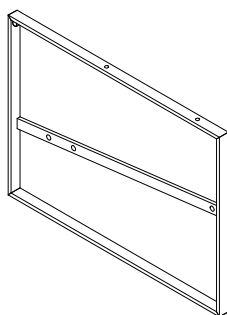
② 1PC



③ 2PCS

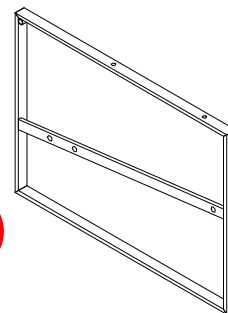


④ 1PC



(L)

⑤ 1PC

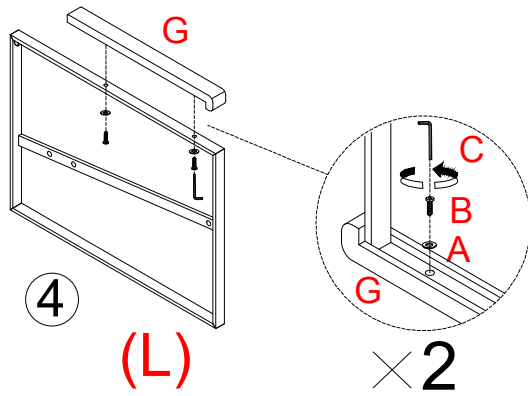


(R)

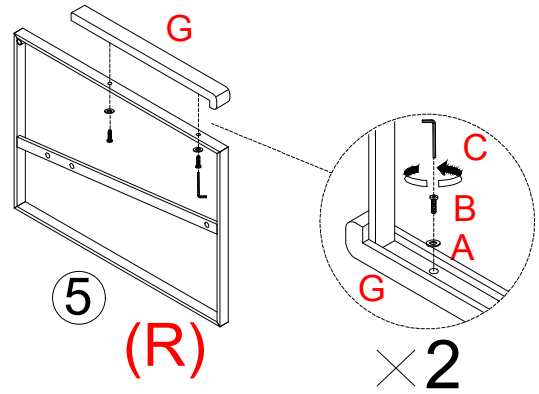
② ASSEMBLY INSTRUCTION

MODEL NO.L5516

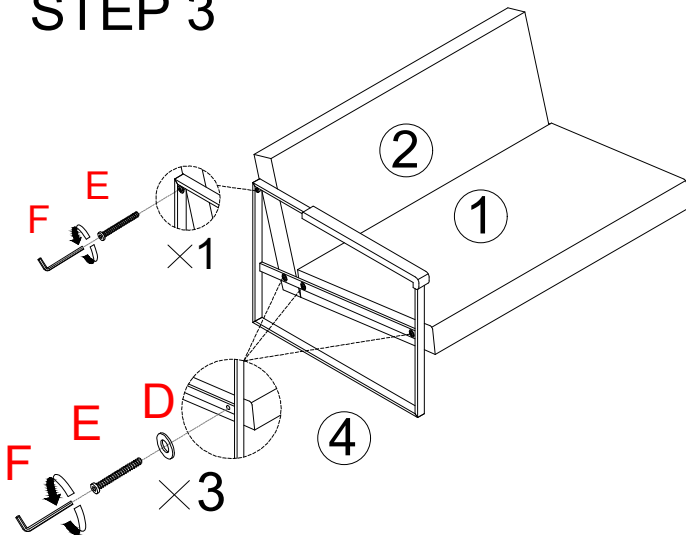
STEP 1



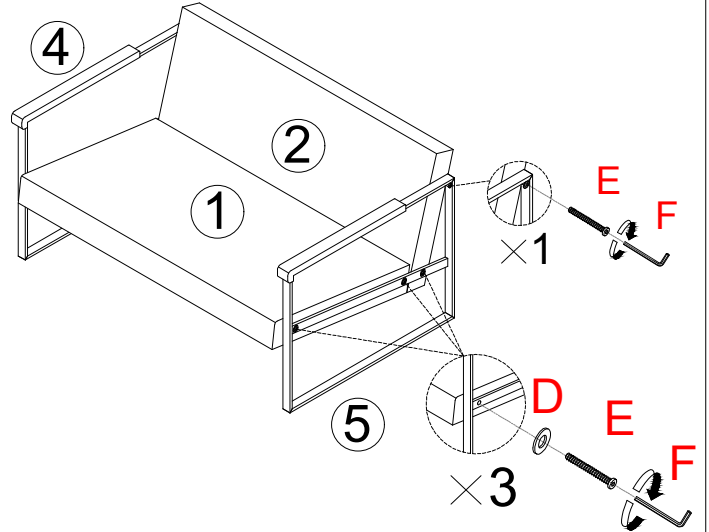
STEP 2



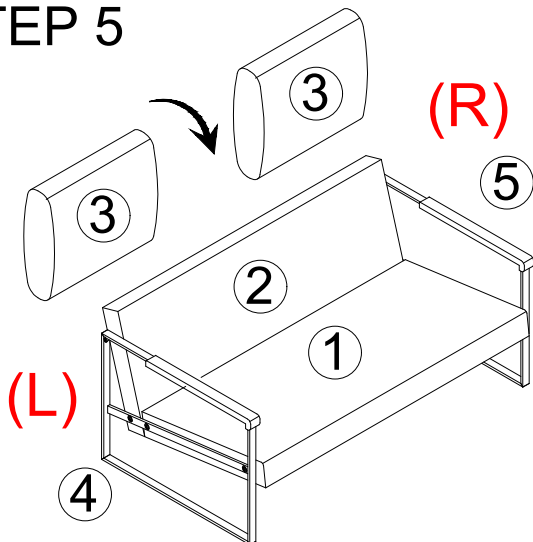
STEP 3



STEP 4



STEP 5



STEP 6

