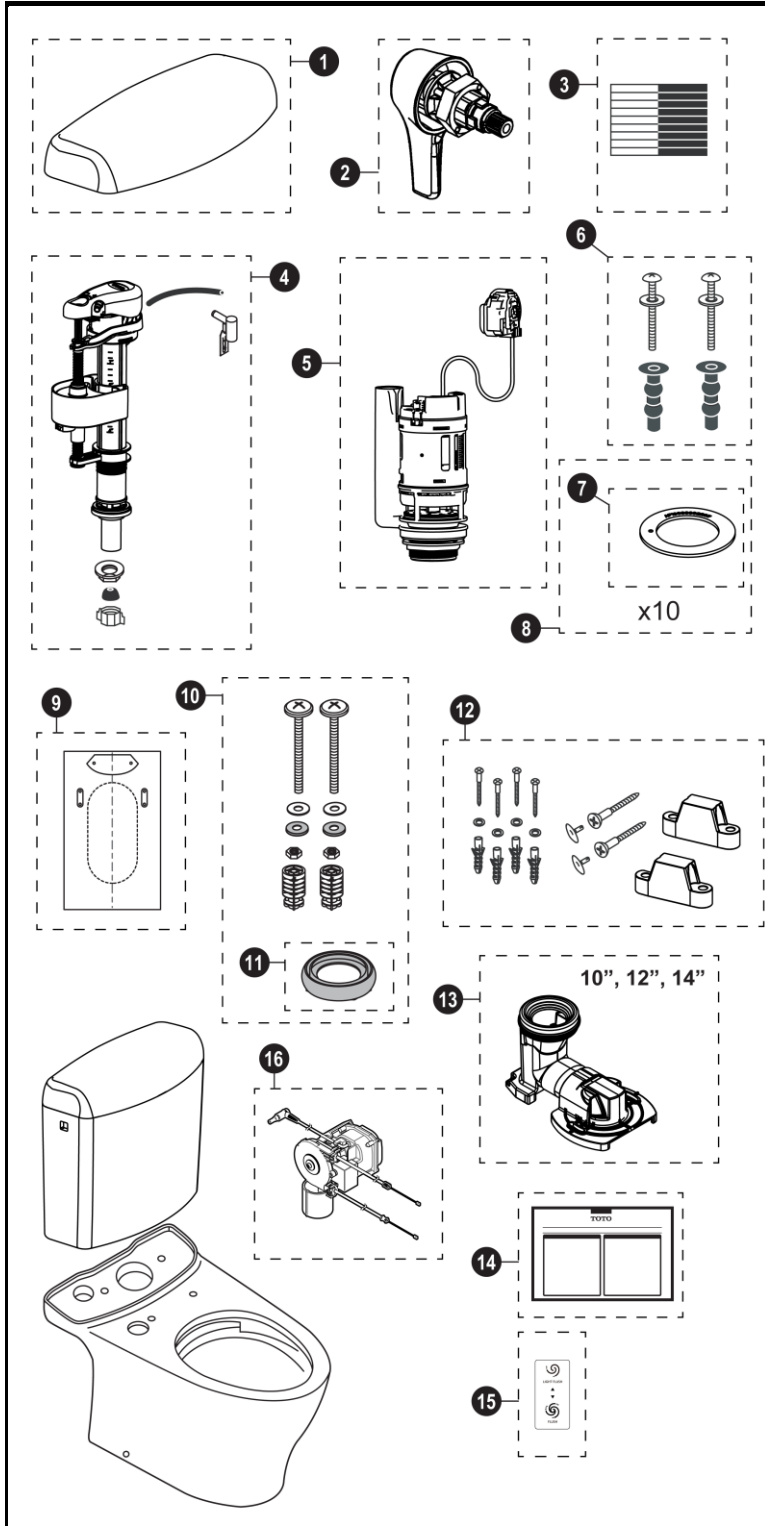


MS436124CEFG
 MW4363046CEFG(A)
 MW4363056CEFG(A)
 CT446CUFGT40
 ST436EMA
 ST436EMR

Aquia IV® Cube
1.28 & 0.8 Gpf Toilet, Elongated, Universal Height
DYNAMAX TORNADO FLUSH®, Unifit Rough-in,
(CEFIONTECT® & Auto Flush compatible)



Item	Part	Description
1	TCU436CRE#01	Tank Lid - Cotton
2	THU806#CP-A	Left Hand Trip Lever - Chrome Plated
	THU816#CP-A	Right Hand Trip Lever - Chrome Plated
3	THU107	Velcro Tape
4	TSU99A.X	Fill Valve
5	THU792S-A	Flush Valve Assembly, 1.28 / 0.8 GPF, RH Trip Lvr
	THU817S-A	Flush Valve Assembly, 1.28 / 0.8 GPF
6	THU651N	Seat Top Mounting Hardware
7	9BU112E-A	Seal Gasket for Flush Valve (1 piece)
8	THU744	Seal Gasket for Flush Valve (10 pieces)
9	0GU181-A	12" Unifit Rough-in Template
	0GU182-A	10" & 14" Unifit Rough-in Template
10	THU741-A	Tank to Bowl Mounting Hardware
11	9BU109E-A	Tank to Bowl Gasket
12	THU742#01-A	Toilet Mounting Hardware
13	TSU08W.10	Unifit Rough-in 10"
	TSU08W.12	Unifit Rough-in 12"
	TSU08W.14	Unifit Rough-in 14"
14	0GU206	Installation Instructions
15	0EU148-A	Dual Flush Sticker (Top of Lid)
16	THU765	Autoflush Unit for Dual Flush

Note:

Product Number Explanations

Two-Piece Toilet

(MS) Toilet & Seat Combo
 (MW) Toilet & Washlet® Combo

Tank

(ST) Tank
 (436) Model
 (E) 1.28 Gpf / 0.8 Gpf
 (M) DUAL-MAX®
 (R) Right Hand Trip Lever
 (A) Auto Flush Compatible

Bowl

(CT) Bowl
 (446) Model
 (C) DYNAMAX
 TORNADO FLUSH®
 (F) Universal Height
 (G) CEFIONTECT®
 (T40) WASHLET®+

Actual Product may vary slightly from illustration.