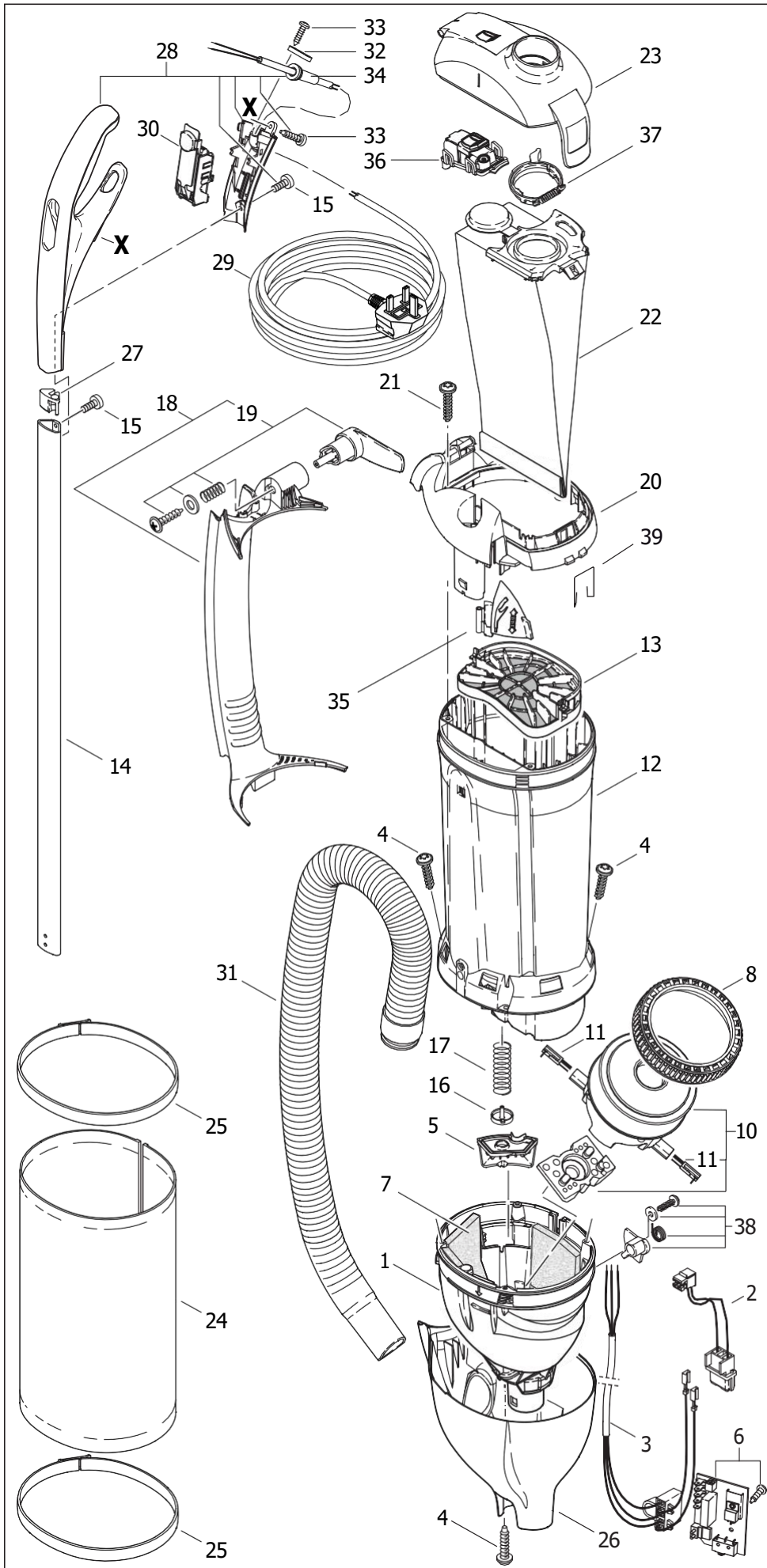


This information intended only for
Europe (230V/240V)
and does not apply to North America!

Parts Diagram



SEBO Felix Pet



Pos.	Product-Code	Description
1	7078GS	Air duct
2	7064	Internal wiring ET
3	7071	Internal cable
4	01016	Screw STS 4x16-T20
5	7056DG	Valve cover
6	7107ER	Printed circuit board, 230-240V
7	7098	Sound insulation
8	1047	VAC motor seal
10	7046ER	VAC motor, 240V (700W)
11	05143S	Pair of carbon brushes
12	7143ER	Dust bag housing
13	7185ER	Active Charcoal filter
14	7081ER	Handle tube
15	0127	Screw M 4x10K
16	7025	Valve disc
17	7028	Valve spring
18	7090SW	Hose duct
19	7027SW	Cable hook
20	7093SW	Cover, Dust bag housing
21	01017	Screw STS 4x20-T20
22	7029ER	Vacuum bag (Box of 8)
23	7091SW	Filter cover
24	7095ER04	Exhaust filter
25	7017SB	Exhaust filter clamp
26	7173SE	Lower housing
27	7145DG	Tube plug
28	7164SW	Handle grip, complete
29	1104DG	Cable with UK plug
30	7038SW	Switch assembly, cpl.
31	7050SB	Hose, complete
32	1030	Cable clamp
33	0103	Screw C 3,9x16
34	5359GS	Cable grommet
35	7082SW	Release button
36	7094	Filter indicator, cpl.
37	7018OR	Retaining ring, complete
38	7032ER	Switch lever, complete
39	7024	Spring

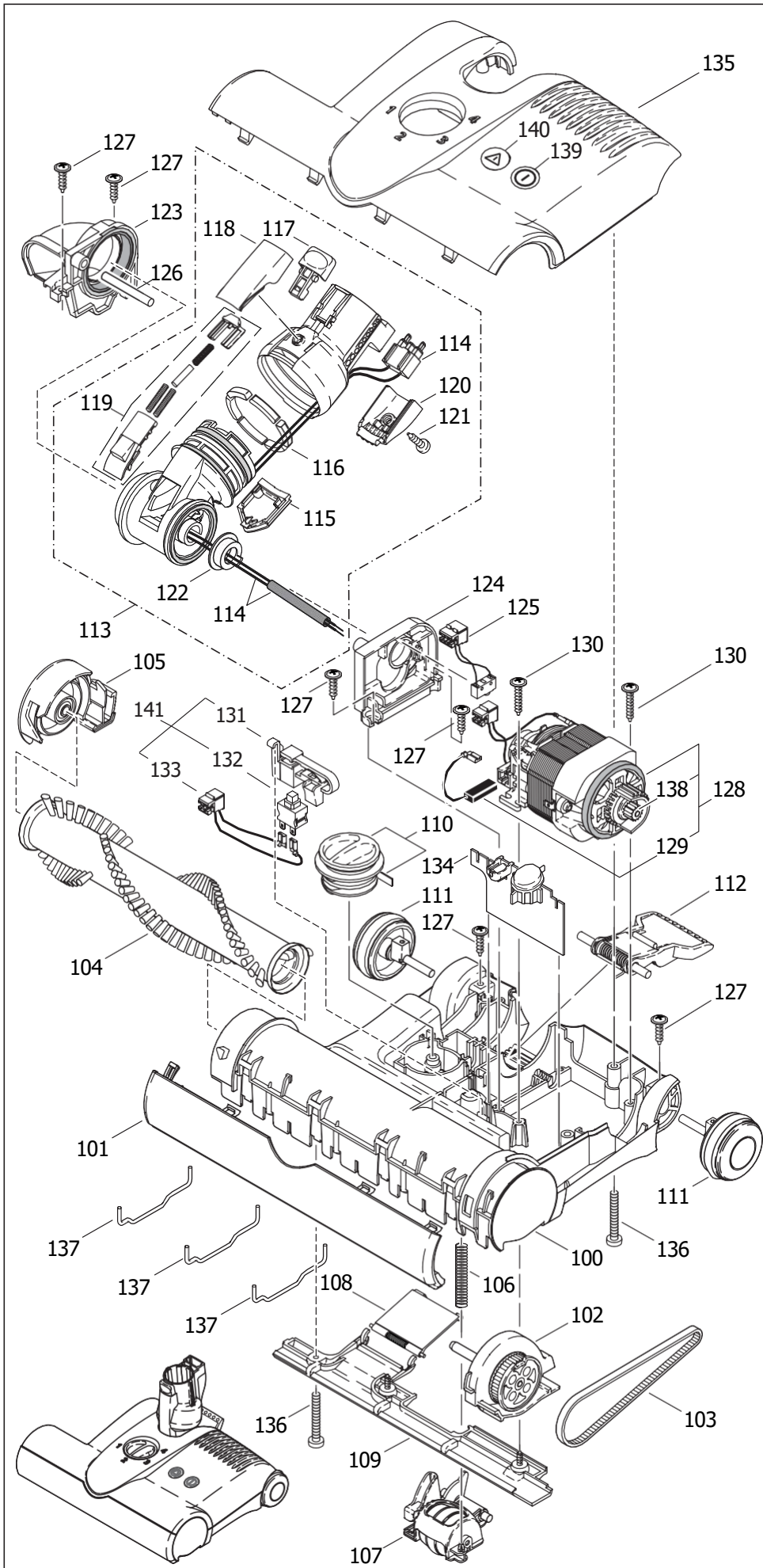
This information intended only for
Europe (230V/240V)
and does not apply to North America!

Parts Diagram



MADE IN GERMANY

SEBO Felix Pet



Pos.	Product-Code	Description
100	2324GS	Chassis ET1
101	2302GS	Bumper, complete
102	2314GS	Bearing block, left, cpl.
103	2923	Belt 333 3M HTDII-6
104	5010ER	Brush roller, complete
105	2313GS	Bearing block, right, cpl.
106	2929	Spring
107	2316GS	Pile adjustment assembly, complete
108	2909VO	Access door ET
109	2304GS	Rear bottom plate, cpl.
110	2931SB	Pile adjustment button
111	2306DG	Wheel, complete
112	2937OR	Foot pedal
113	2307GS	Swivel neck assembly, complete
114	0876ER	Wiring swivel neck
115	2947DG	Cover
116	2950ER	Segments, TS-neck
117	1737GS	Release button
118	2952DG	Button cover
119	2945GS	Swivel neck slide
120	2951DG	Socket cover, TS-neck
121	01027	Screw F 3,9x9,5
122	2954	Swivel neck bearing
123	2311	Swivel neck support, right
124	2312	Swivel neck support, left
125	0880	Wiring swivel neck switch
126	2928	Axle
127	01021	Screw F 3,9x13
128	2975ER	Brush motor 230/240V (175W)
129	05141S	Pair of carbon brushes
130	01020	Screw F 3,9x21
131	2958ER	Lever
132	05114	Switch 2-pol
133	0881	Wire
134	2686ER	Printed circuit board ET1 (175W)
135	2360SW	Power head cover ET1
136	0176	Screw AM 4x30
137	5402	Wire tie
138	2319	Motor pulley
139	2957	Lens switch
140	2956	Lens right
141	2959ER	Switch, complete