

Model: WF-S3545BN WF-S3545MB WF-S3545BG

Brushed Nickel (BN)
Matte Black (MB)
Brushed Gold (BG)



Luxury Shower System

Pressure Balance Valve 3-Function Shower

- Rainfall shower head
- Valve included
- Hand shower
- Square body jets

Max 2.5 gmp 9.5L/min @ 80psi
Meets ASME A112.18.1



LIMITED LIFETIME WARRANTY

BUILD WITH CONFIDENCE

STANDARDS:

Meets ASME A112.18.1/CSA B125.1-18 and all applicable requirements referenced therein, as well as California Proposition 65.

INSTALLATION:

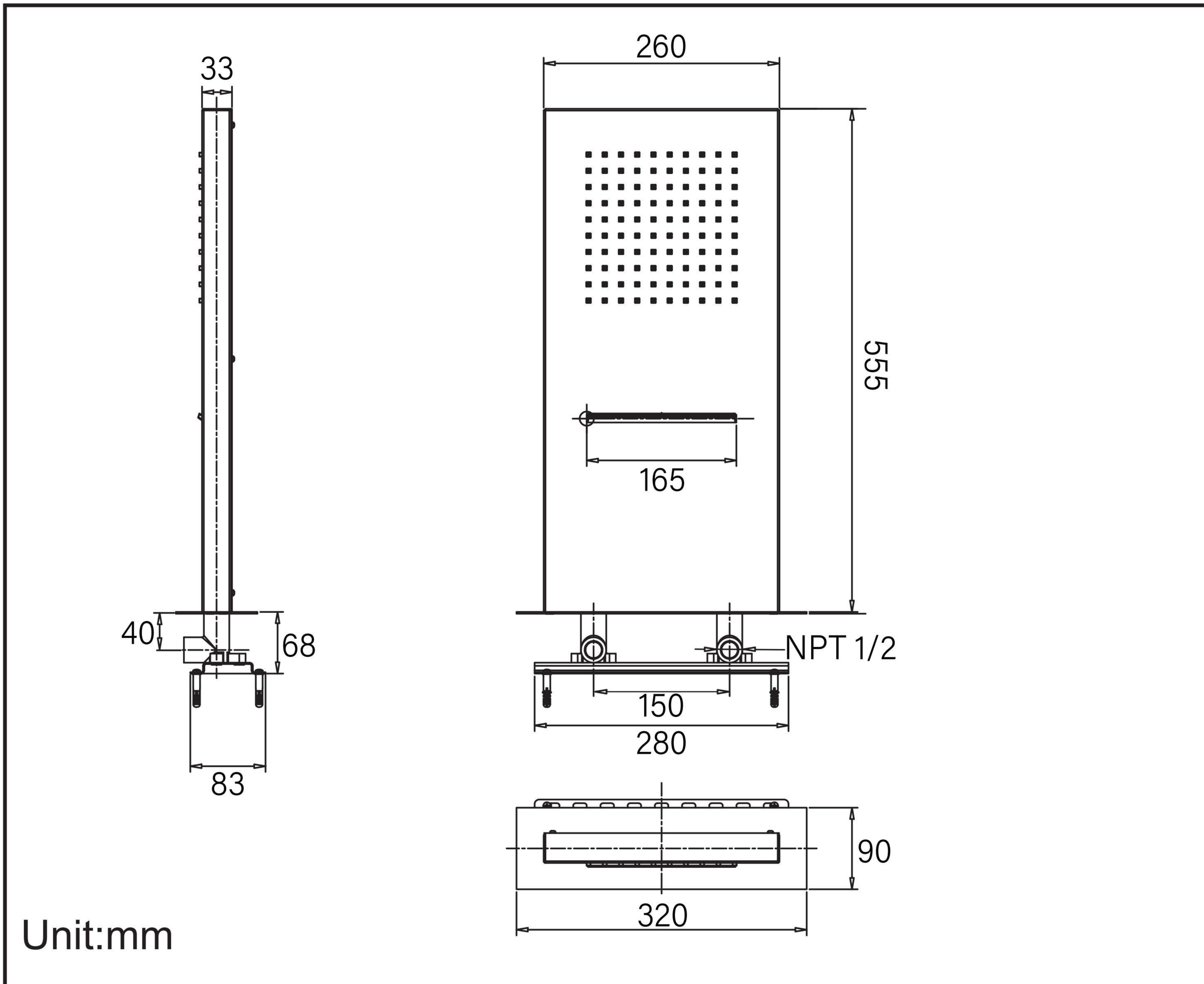
For proper installation and to ensure compliance with applicable standards, this product must be installed by a qualified plumber.

DESCRIPTION:

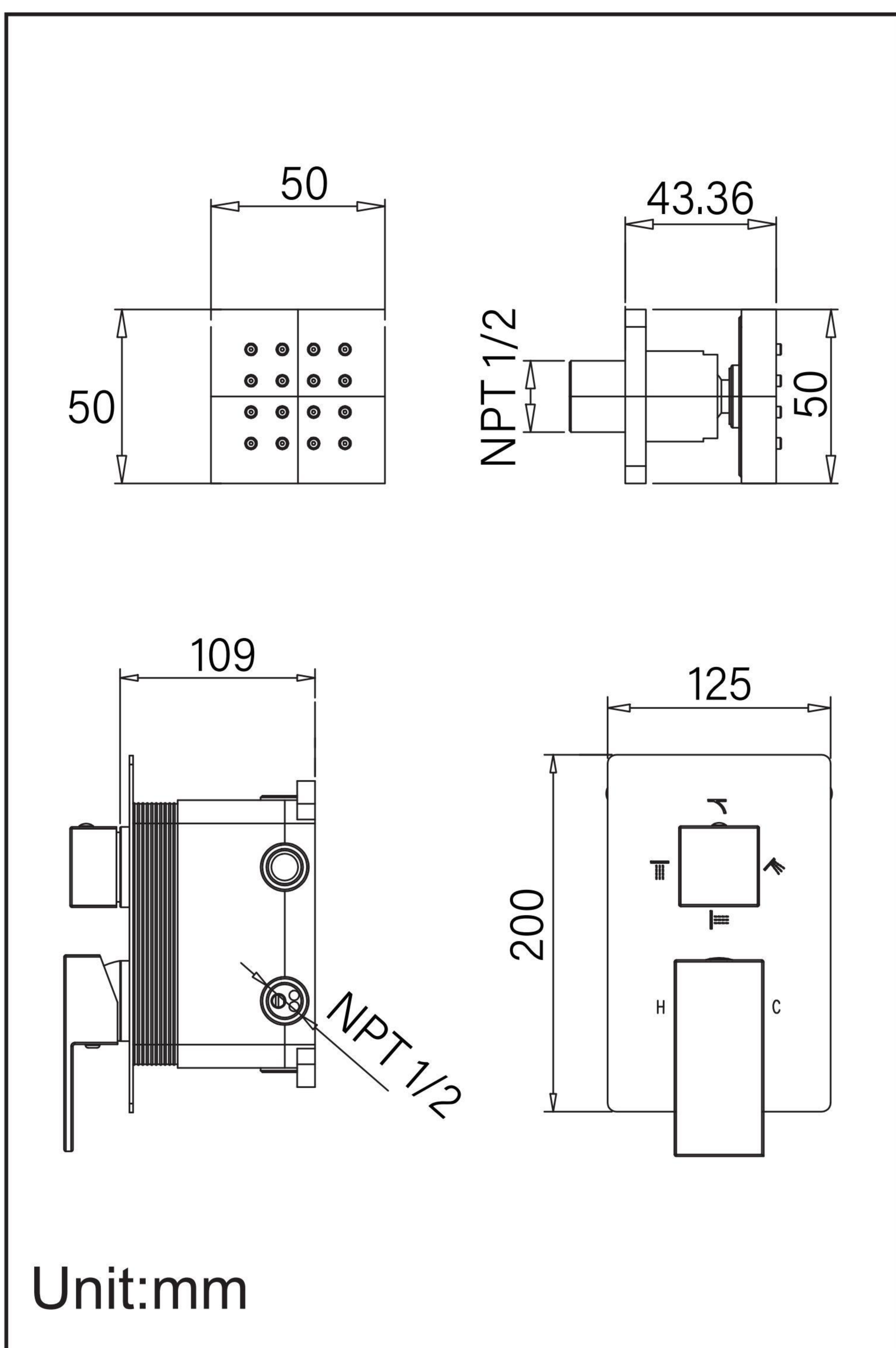
- Rainfall shower head
- Valve included.
- Hand shower.
- Square body jets.

FINISH:

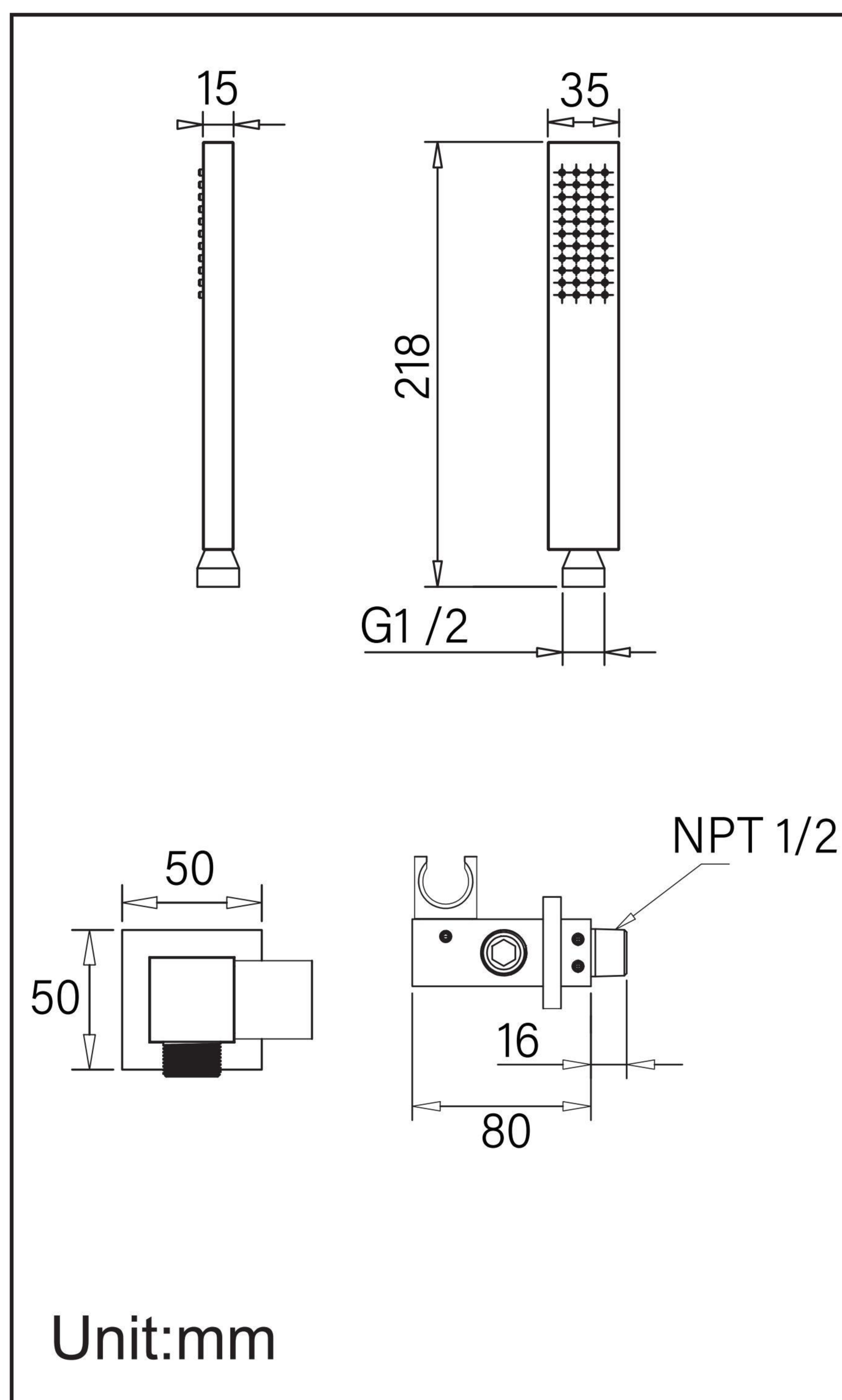
Matte Black. Brushed Nickel. Brushed Gold.



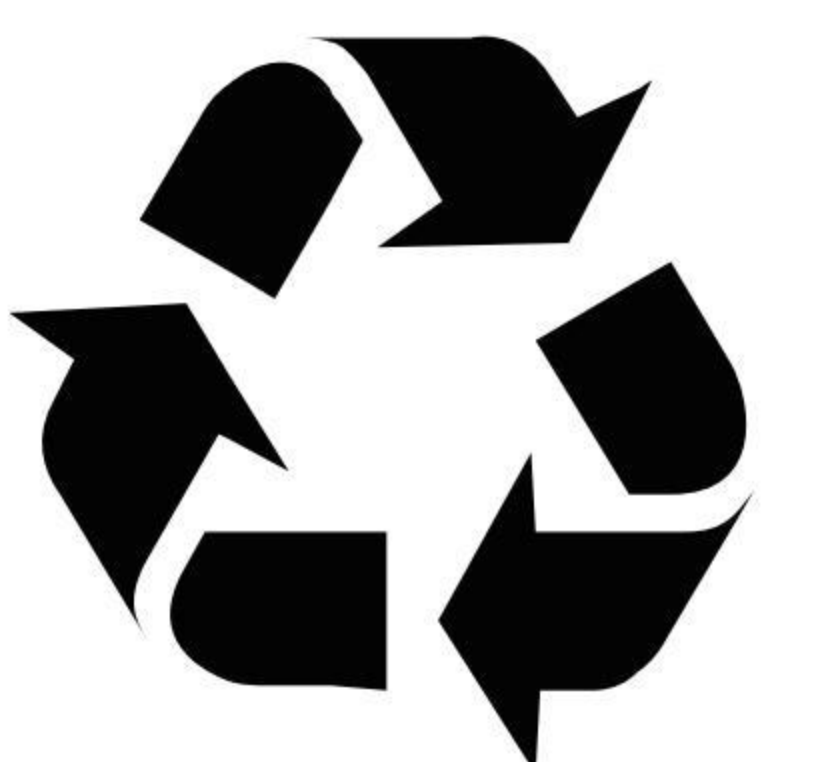
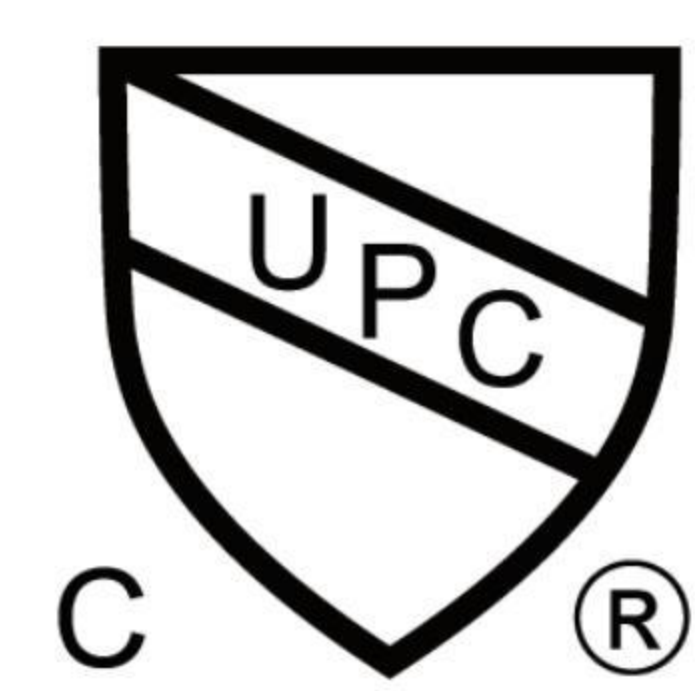
Unit:mm



Unit:mm



Unit:mm



Limited Lifetime Warranty

www.wellfor.com

service@wellfor.com

Product Designed in the USA

MADE IN CHINA

3-FUNCTION SHOWER SYSTEM

BEFORE YOU BEGIN

We recommend consulting a professional if you are unfamiliar with installing plumbing fixtures. Wellfor accepts no liability for any damage to the plumbing, floor, walls, tub, or for personal injury during installation.

Observe all local plumbing and building codes.

Unpack and inspect the item for shipping damage. If any damage is found, contact our Customer Relations team at 206.809.0093.

GETTING STARTED

Ensure that you have gathered all the required materials that are needed for the installation.

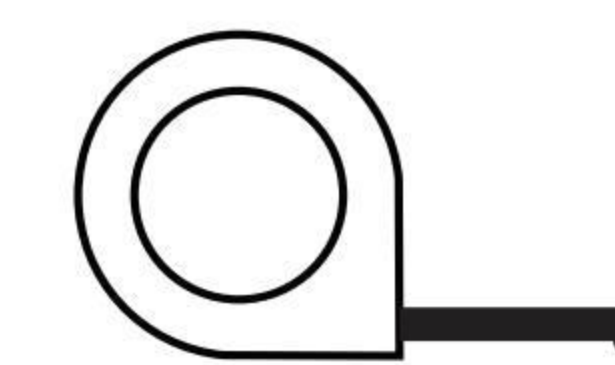
For the following installation instructions, it is assumed that the wall has been opened and that the existing shower set has been removed.

Before you begin, the main water supply to your home should be shut off.

TOOLS AND MATERIALS:



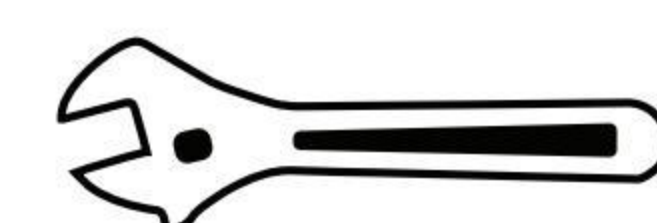
Plumbers Tape



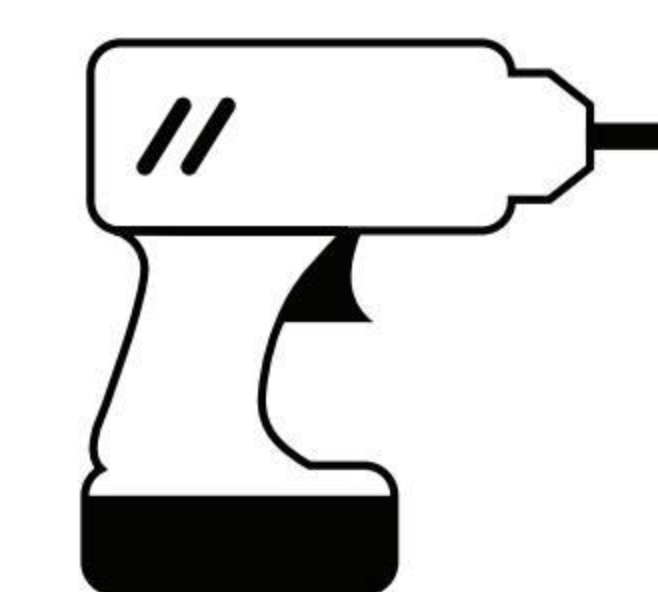
Tape Measure



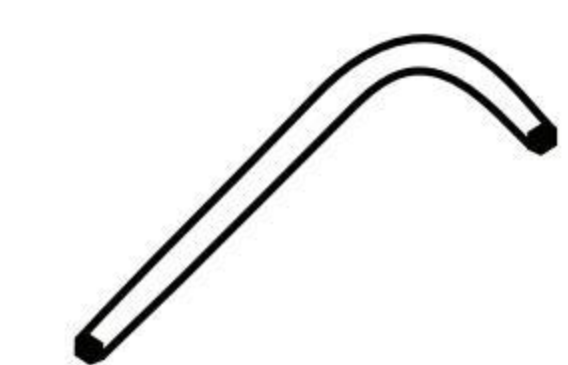
Phillips Screwdriver



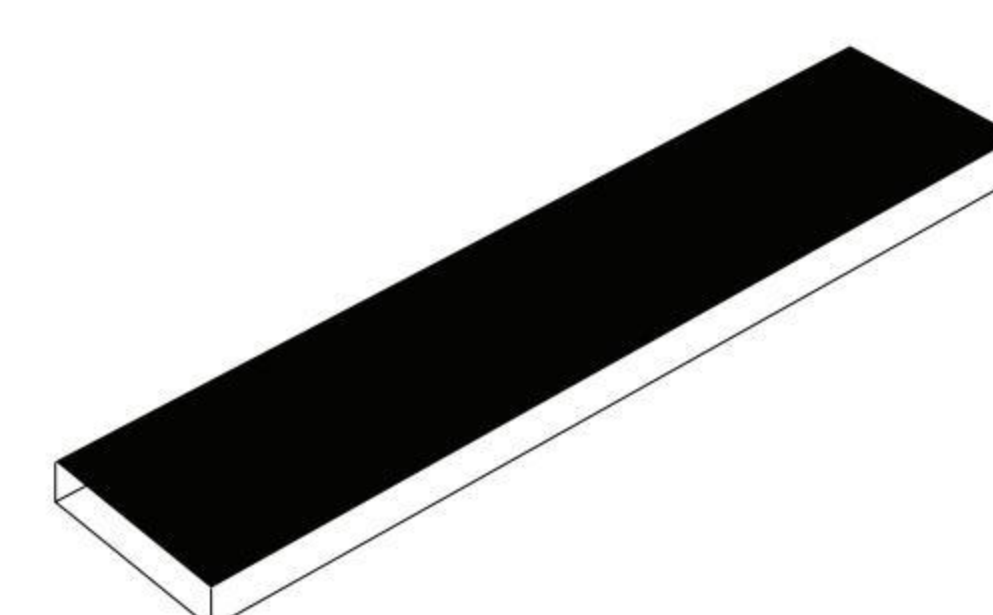
Adjustable Wrench



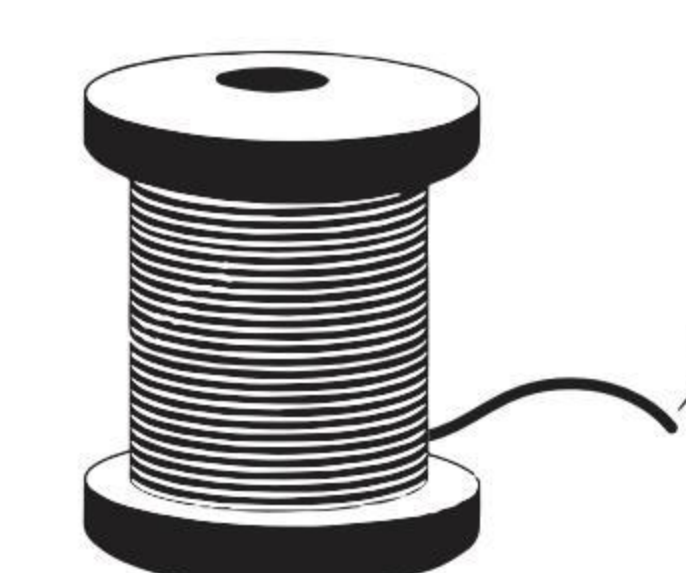
Drill



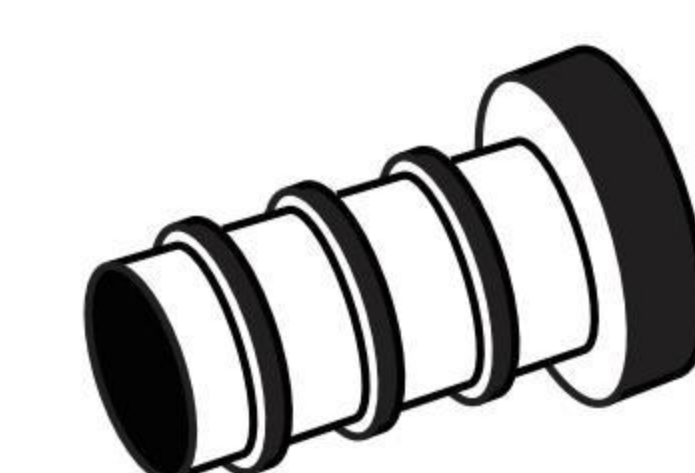
Hex Wrench



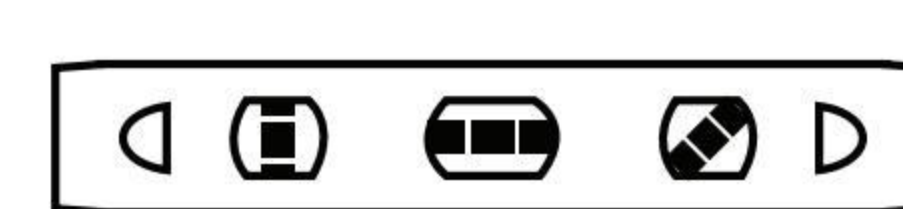
Wood Blocking



Soldering Kit
(for copper pipe)



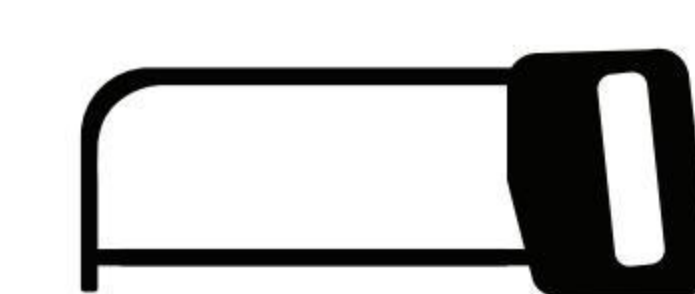
1/2" Test Plug



Level



Pencil or
Marker



Hacksaw



All dimensions and specifications are nominal and may vary. Use actual products for accuracy in critical situations.

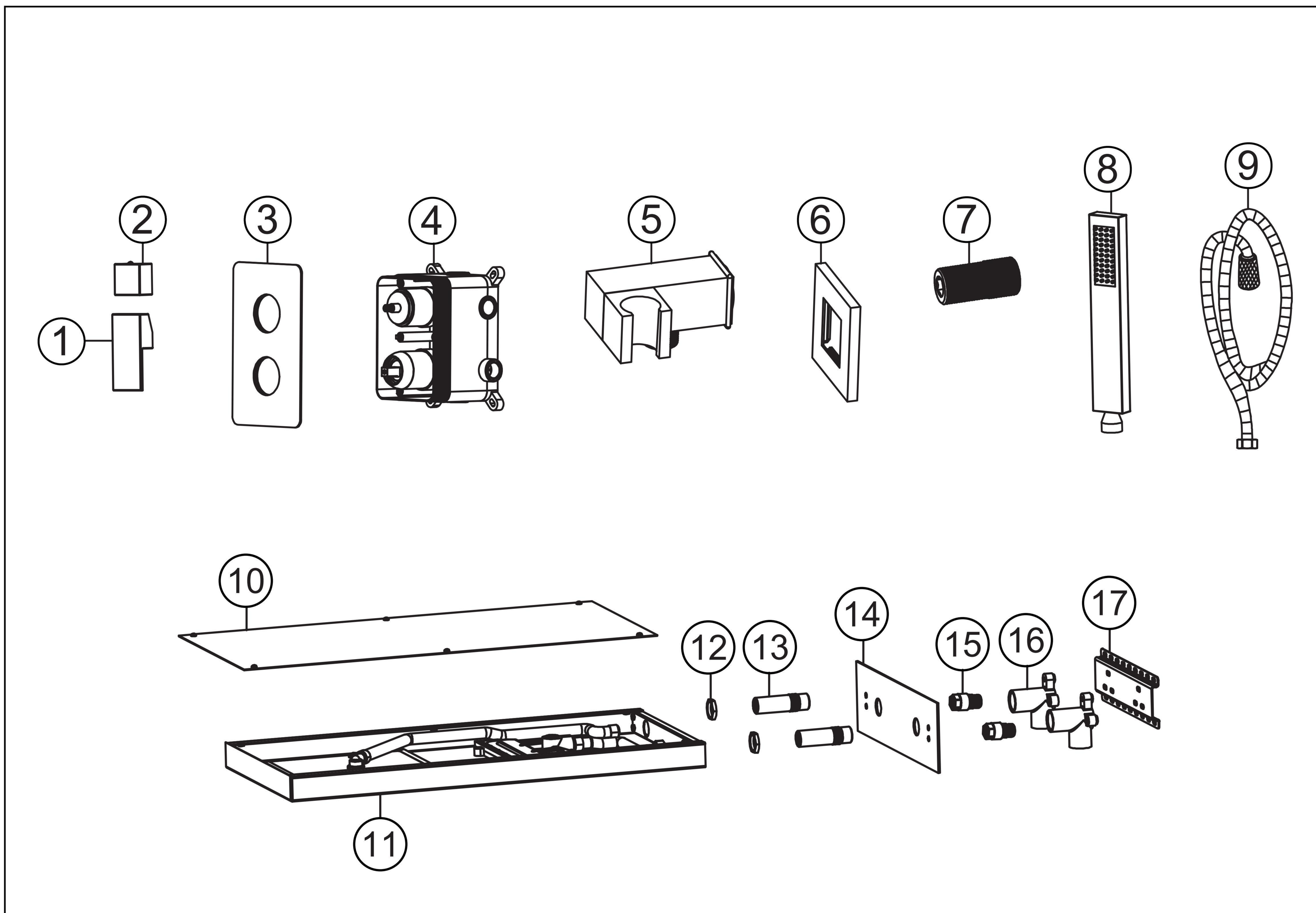


Accessories size, style and shape may vary from the picture above. Instruction purpose only.

3-Function Thermostatic Shower

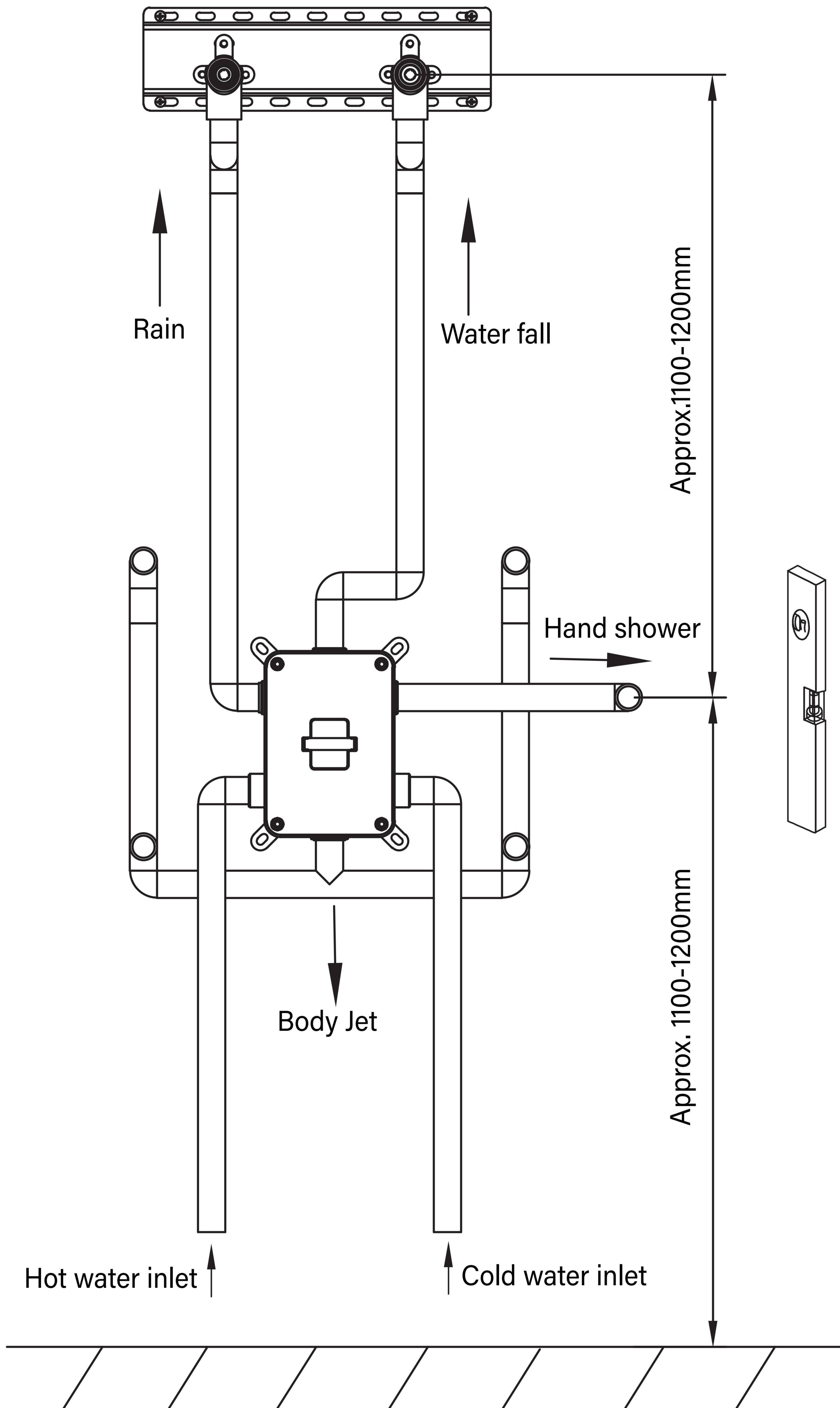
Model:WF-S3545BN /WF-S3545MB/WF-S3545BG

ACCESSORIES LIST

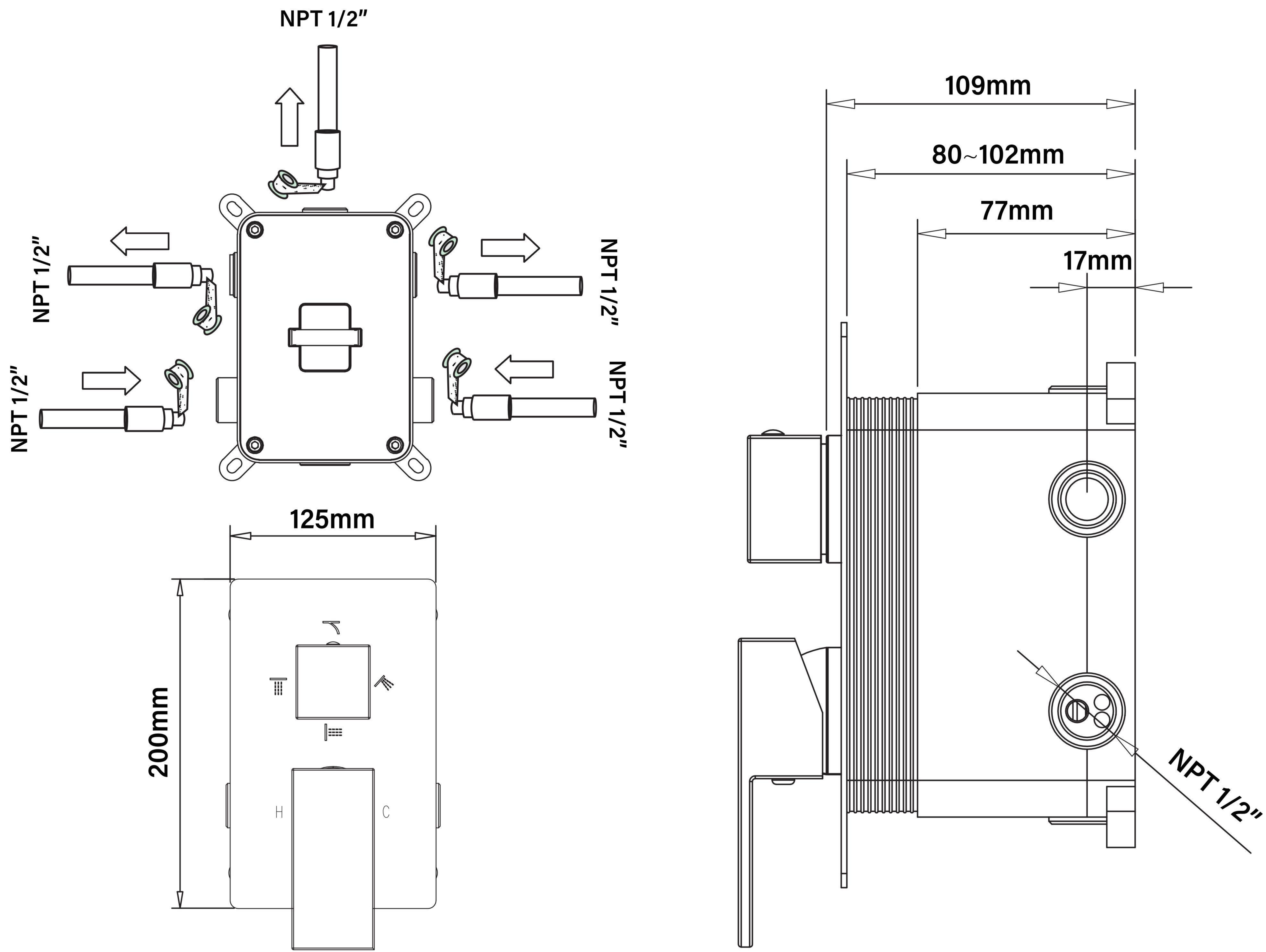


S/N	MODELS	QTY	S/N	MODELS	QTY
1	Handle	1	10	Head shower cover	1
2	Diverter knob	1	11	Head shower body	1
3	Metal Plate	1	12	Lock nuts	2
4	Valve	1	13	Threaded fitting	2
5	Hand shower holder	1	14	Plate cover	1
6	Shower arm flange	1	15	Protective cover	2
7	Thread connector	1	16	Concealed pipe fitting	2
8	Hand shower	1	17	Wall mounting plate	1
9	Shower hose	1			

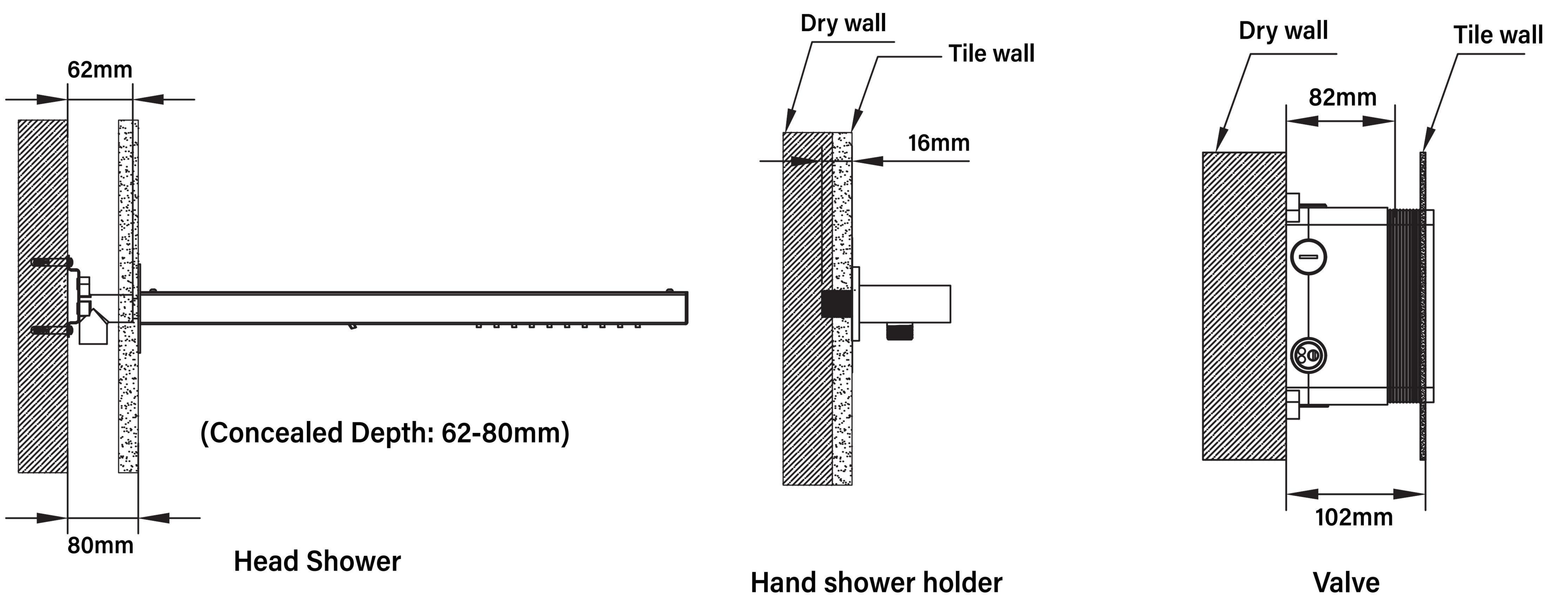
INSTALLATION FEATURE



PRESSURE BALANCE VALVE PIPING

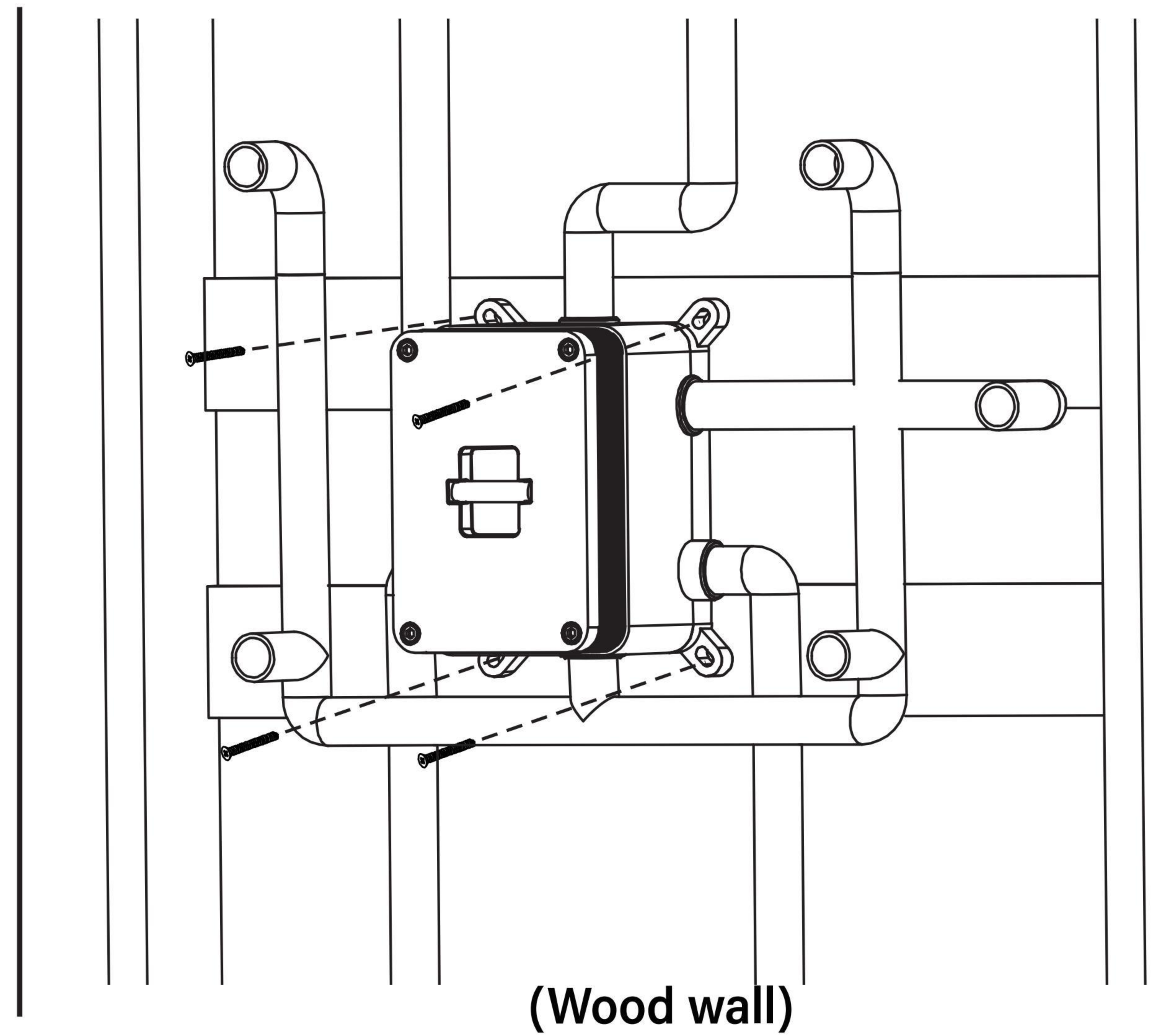
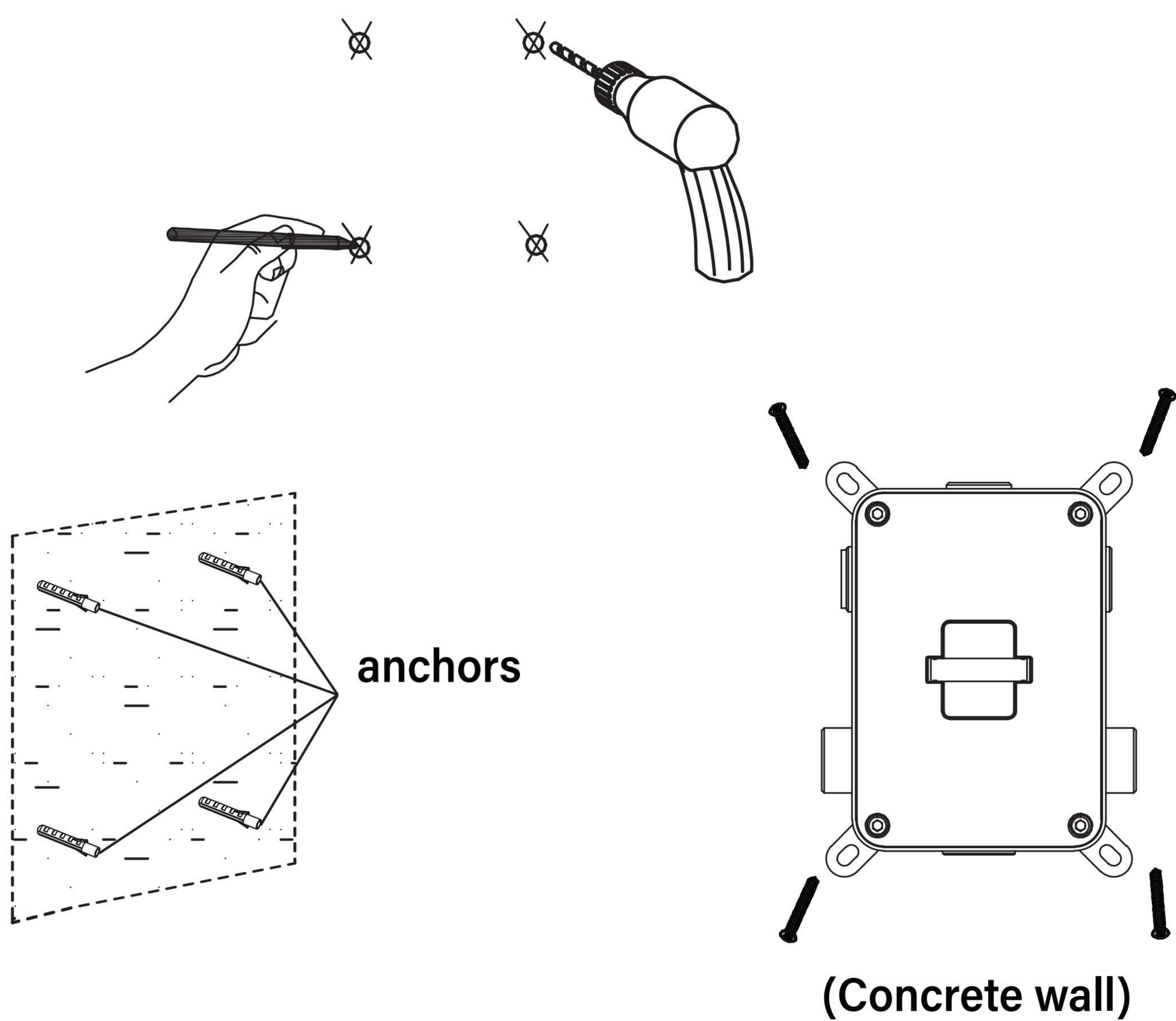


CONCEALED MOUNTING DEPTH



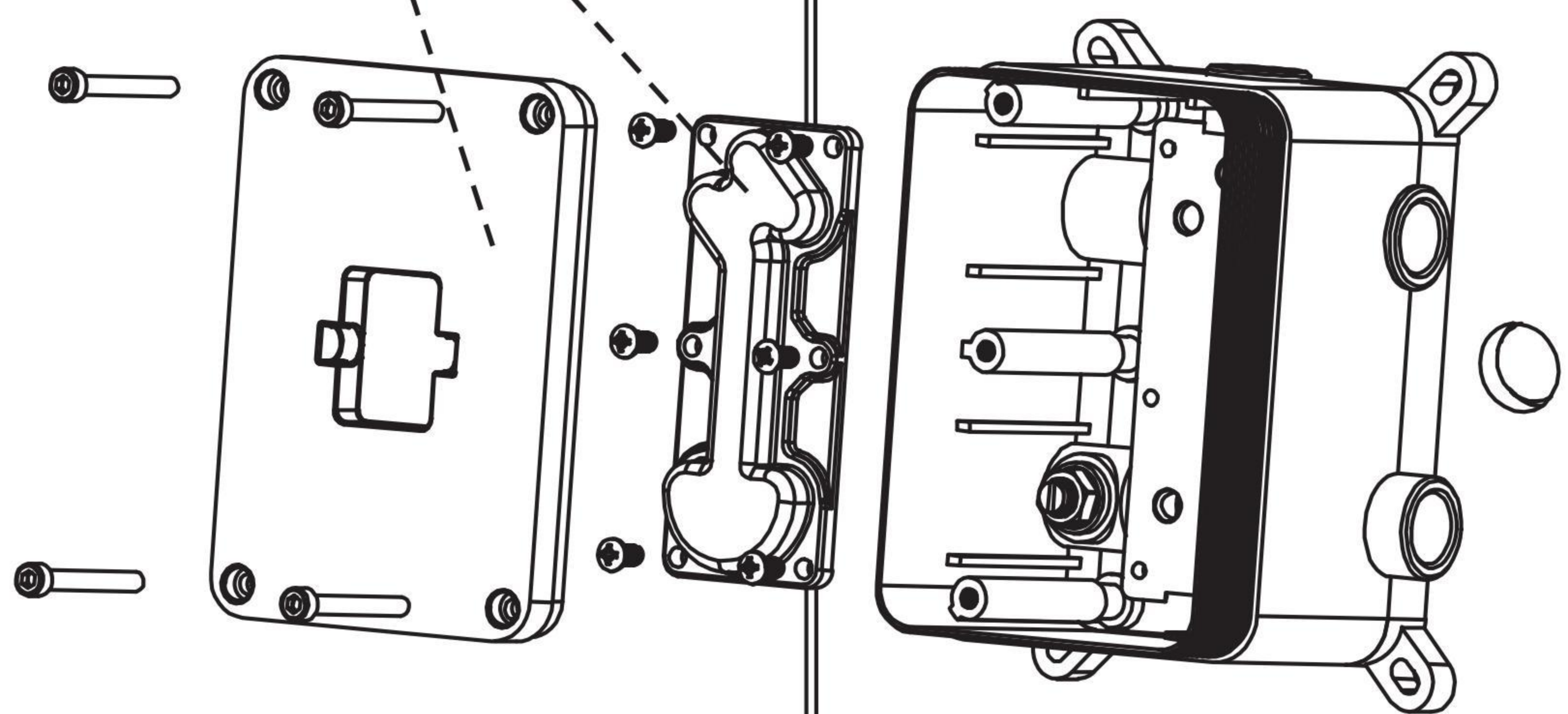
Note: Male thread is 1/2"-14NPT.
 Installation depth for shower valve is between 82--102mm, including the thickness of the tile.
 The shower valve opening size shall be smaller than the trim cover plate.

VALVE INSTALLATION

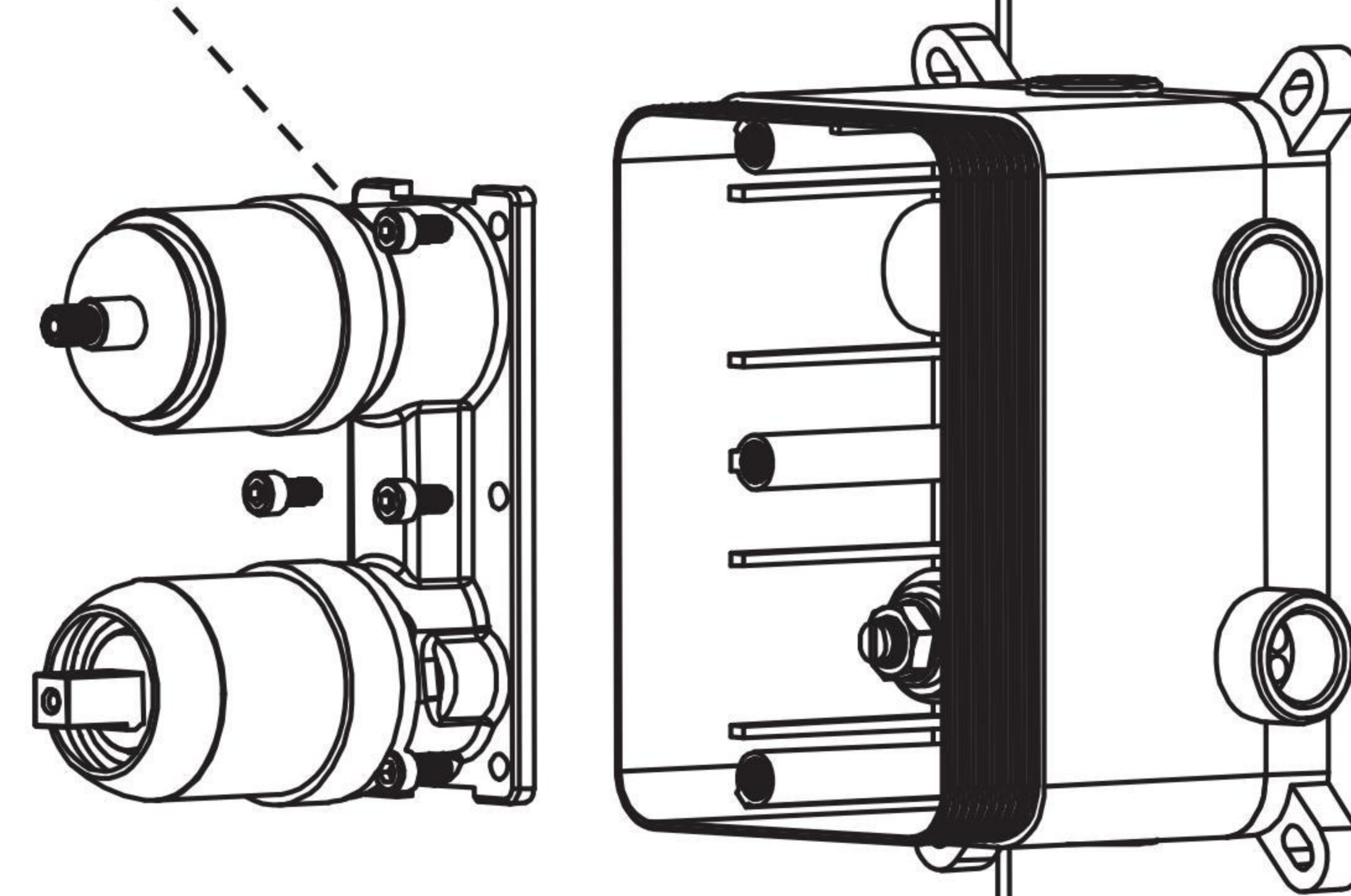


Note: Wood blocking should be installed between the two studs where the valve will mount. Be careful not to set the valve too far back into the wall. Use the sticker on the side of the valve for guidance.

Take off protective covers

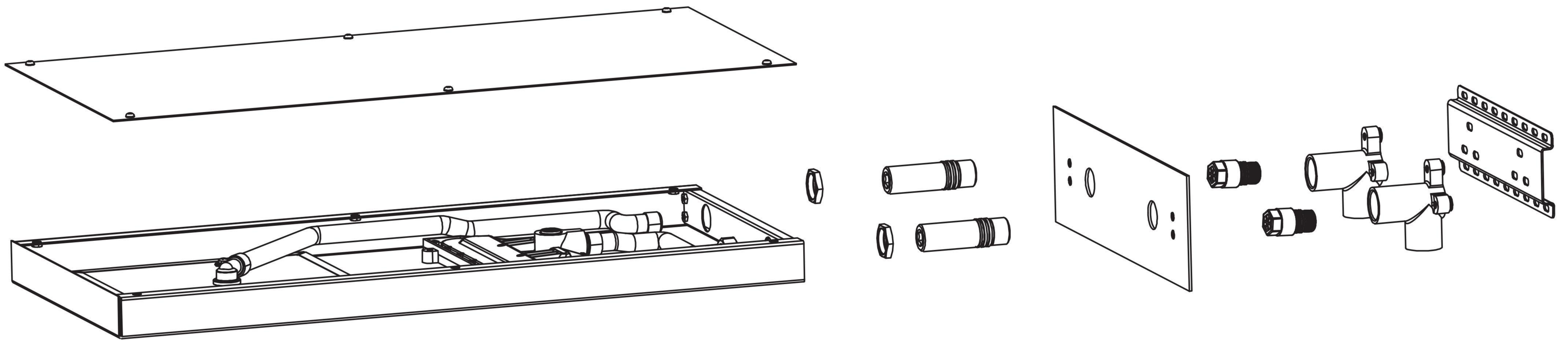


Insert valve body with screws



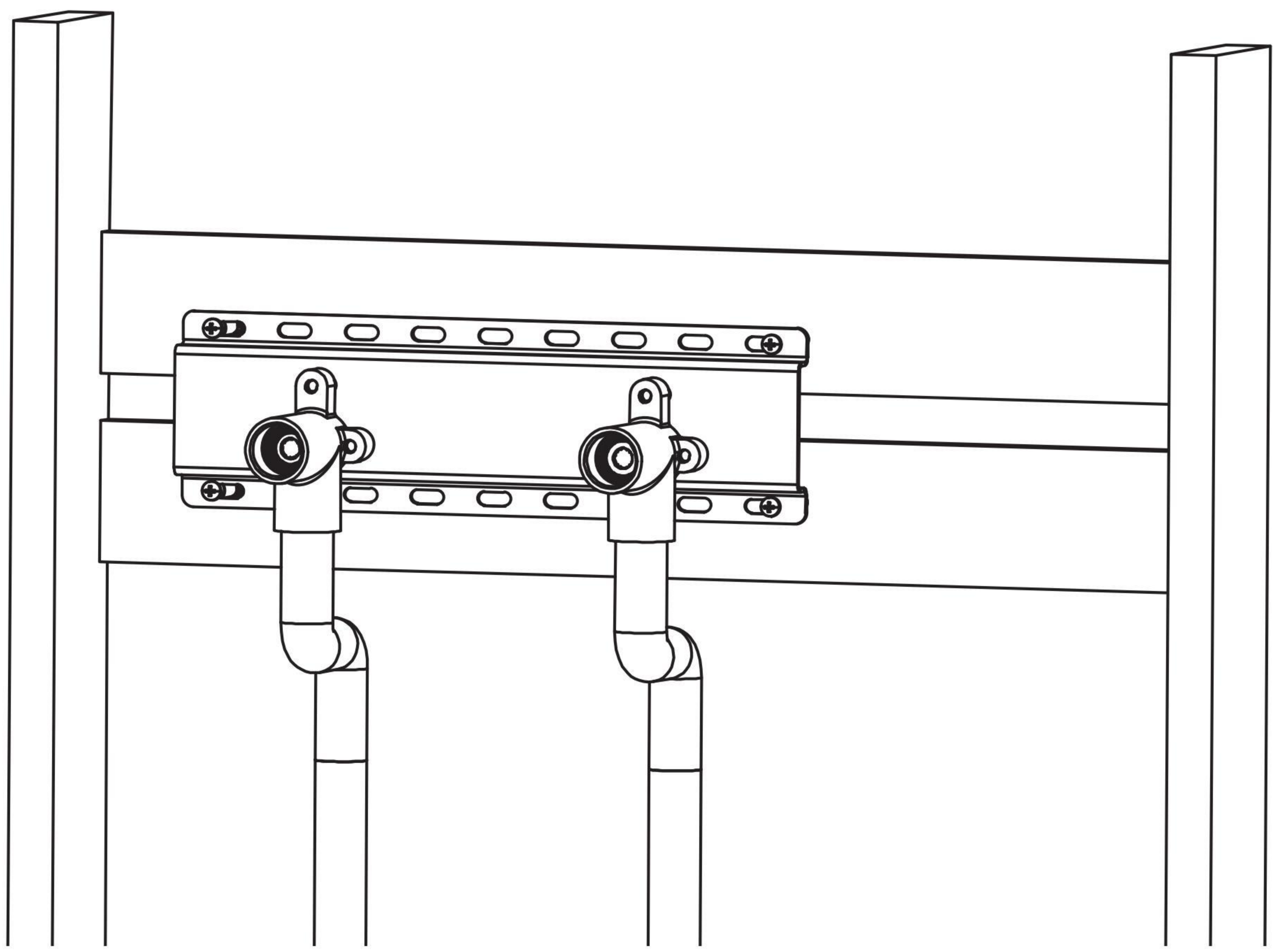
Note: 1.Prior to removing the plastic protective cover, perform a water test to ensure there are no leaks.
2.After confirming that there are no leaks during the water test, promptly remove the valve plastic protective cover.
3.Slowly and carefully insert the copper valve body into the designated area, ensuring it is properly secured and fitted.

SHOWER HEAD INSTALLATION

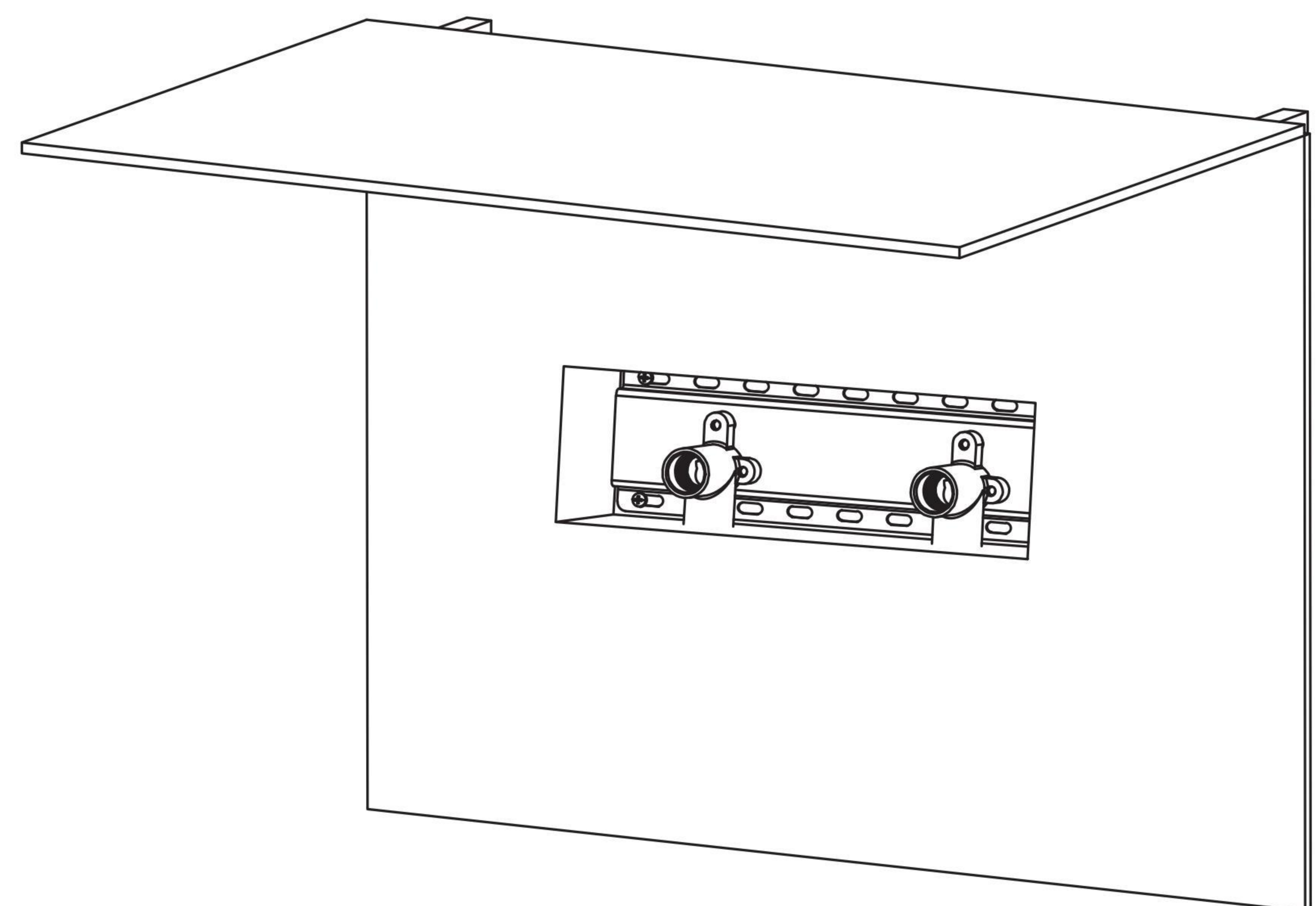


Note: Wrap the threaded pipe of NPT1/2 with Teflon tape and screw it into the wall.
Test the functionality of the head shower. Check for any leaks.

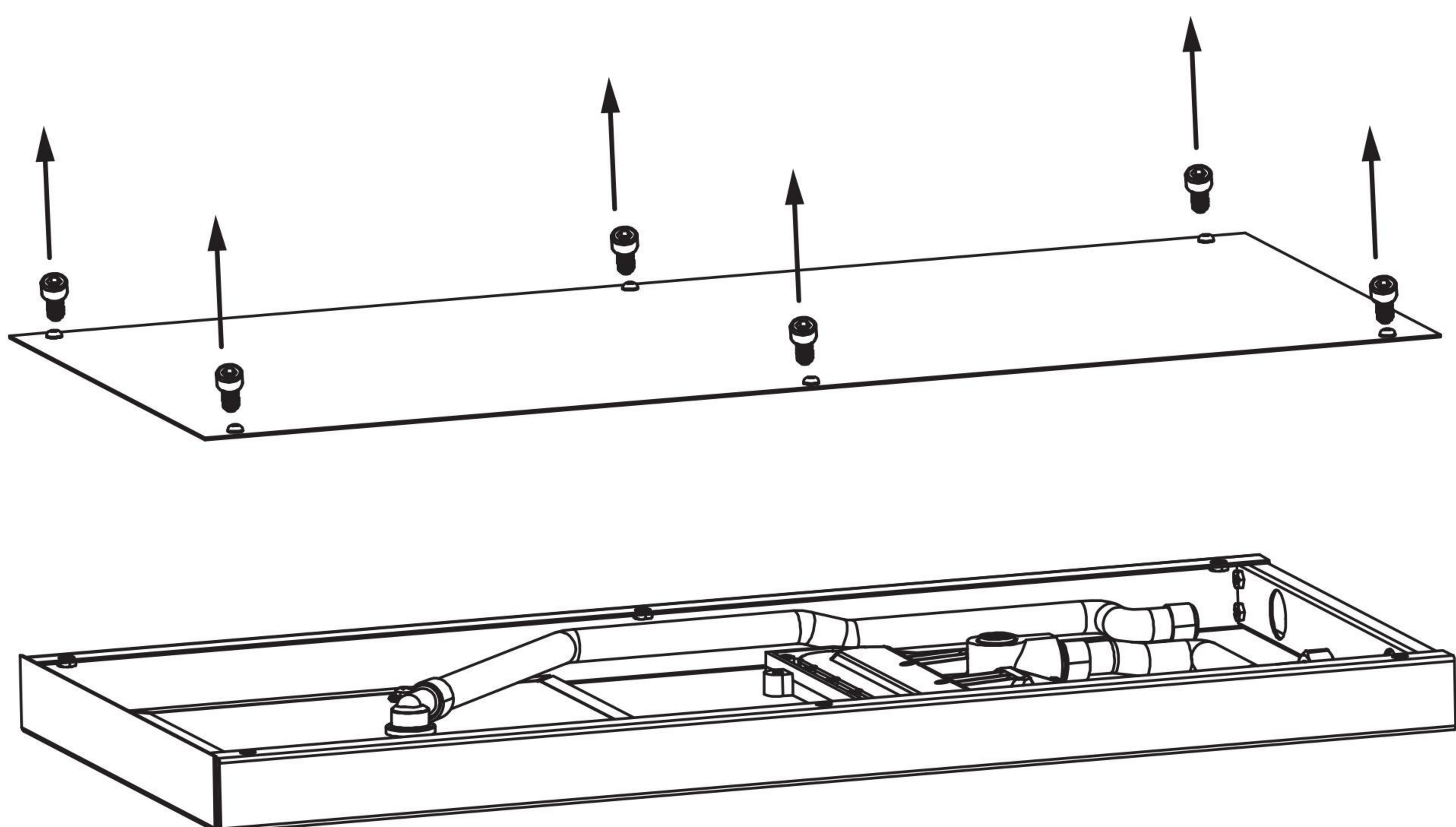
Step1. Install the concealed pipe fitting.



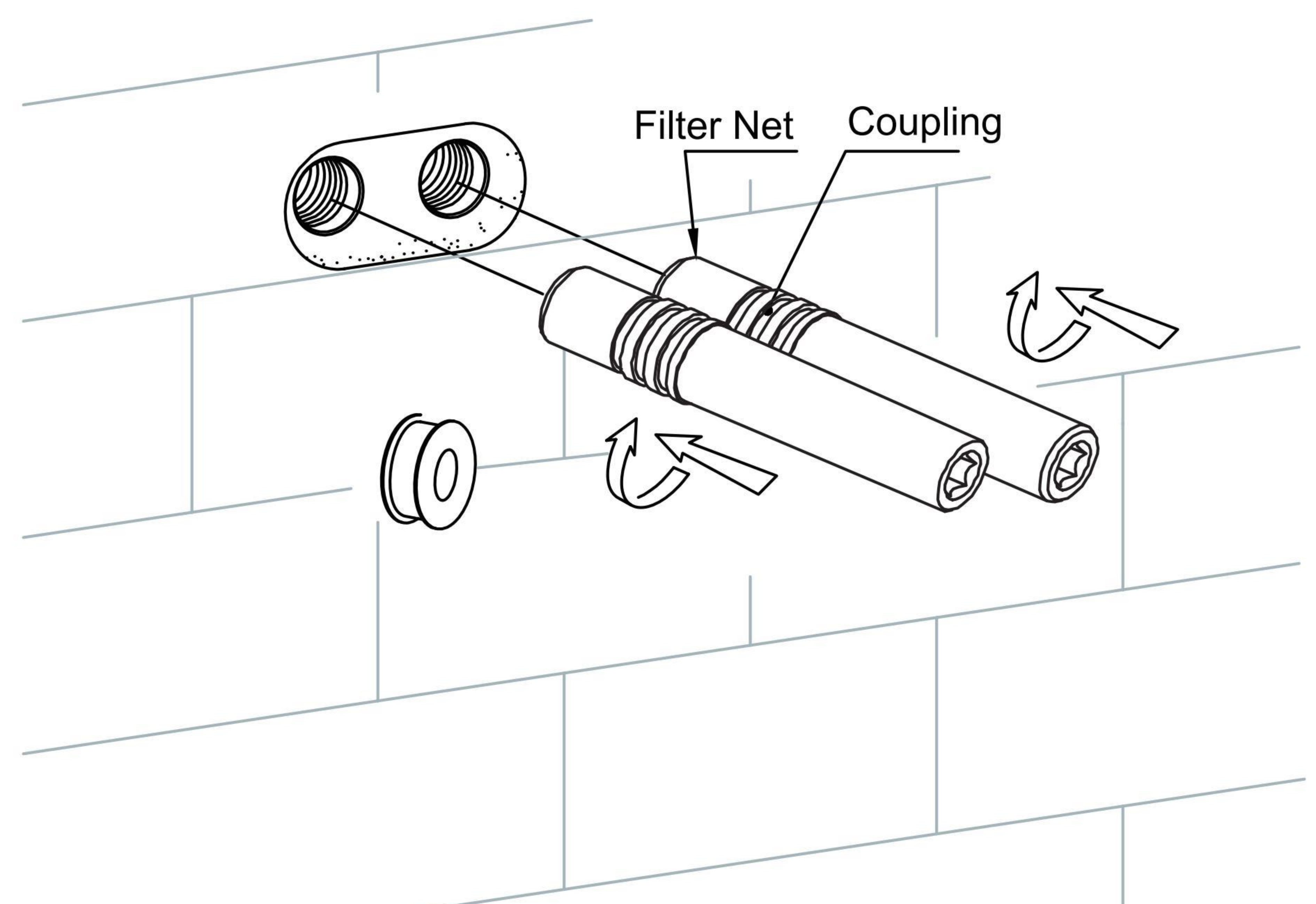
Step2. cut out the stud wall.



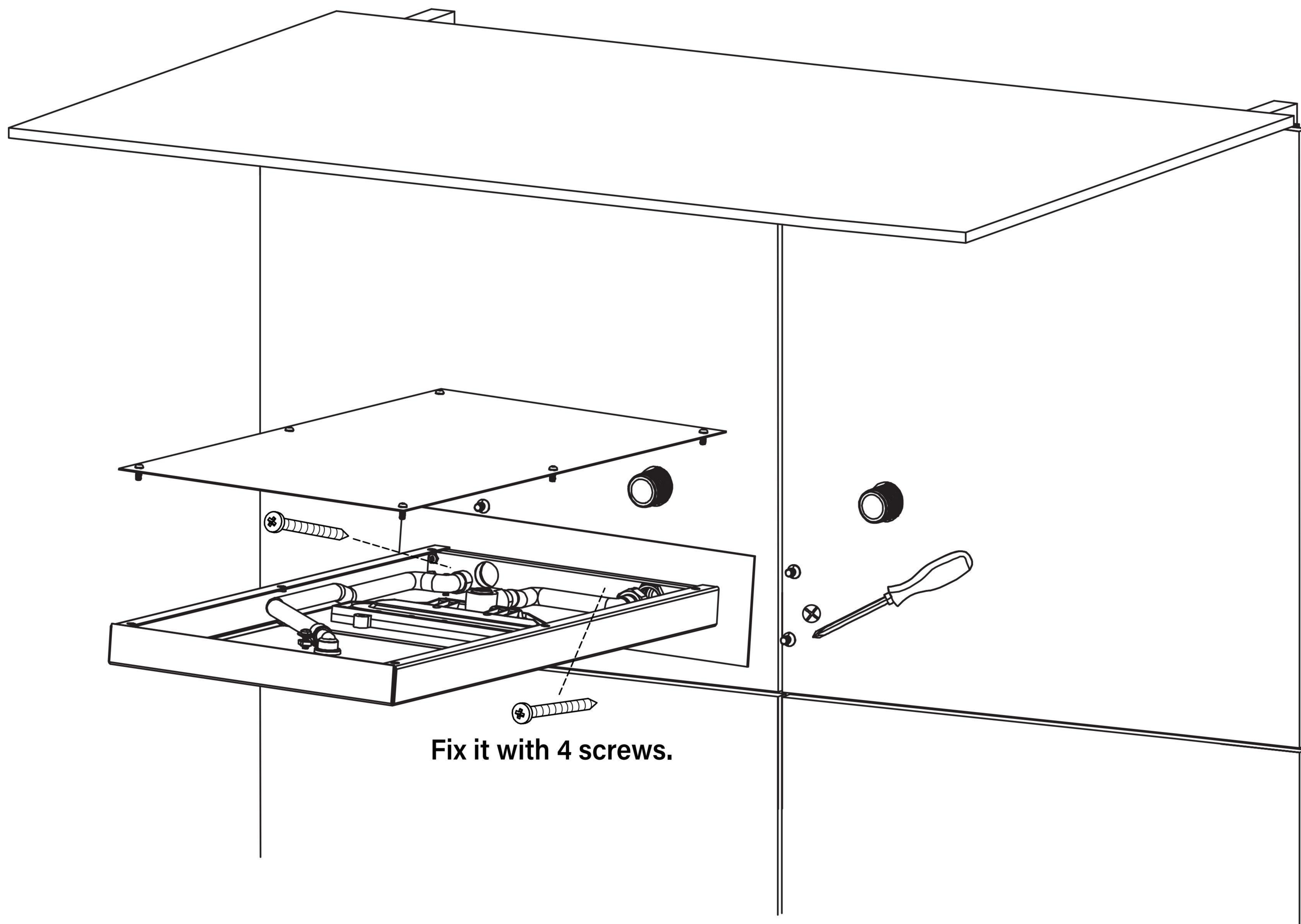
Step3. Open the head shower cover.



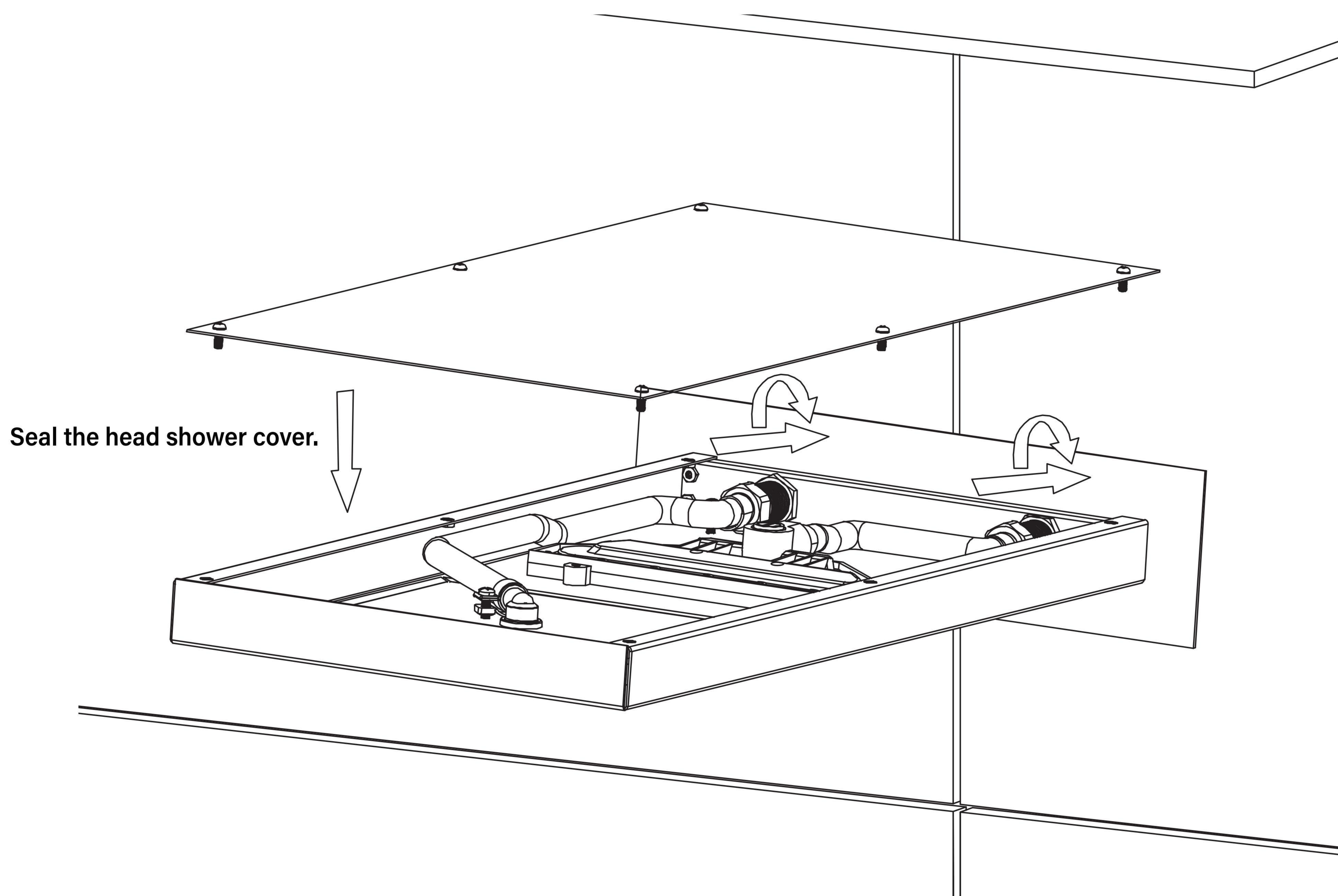
Step4. Wrap plumbers tap around threaded fitting and screw them into concealed pipe fitting.



SHOWER HEAD INSTALLATION

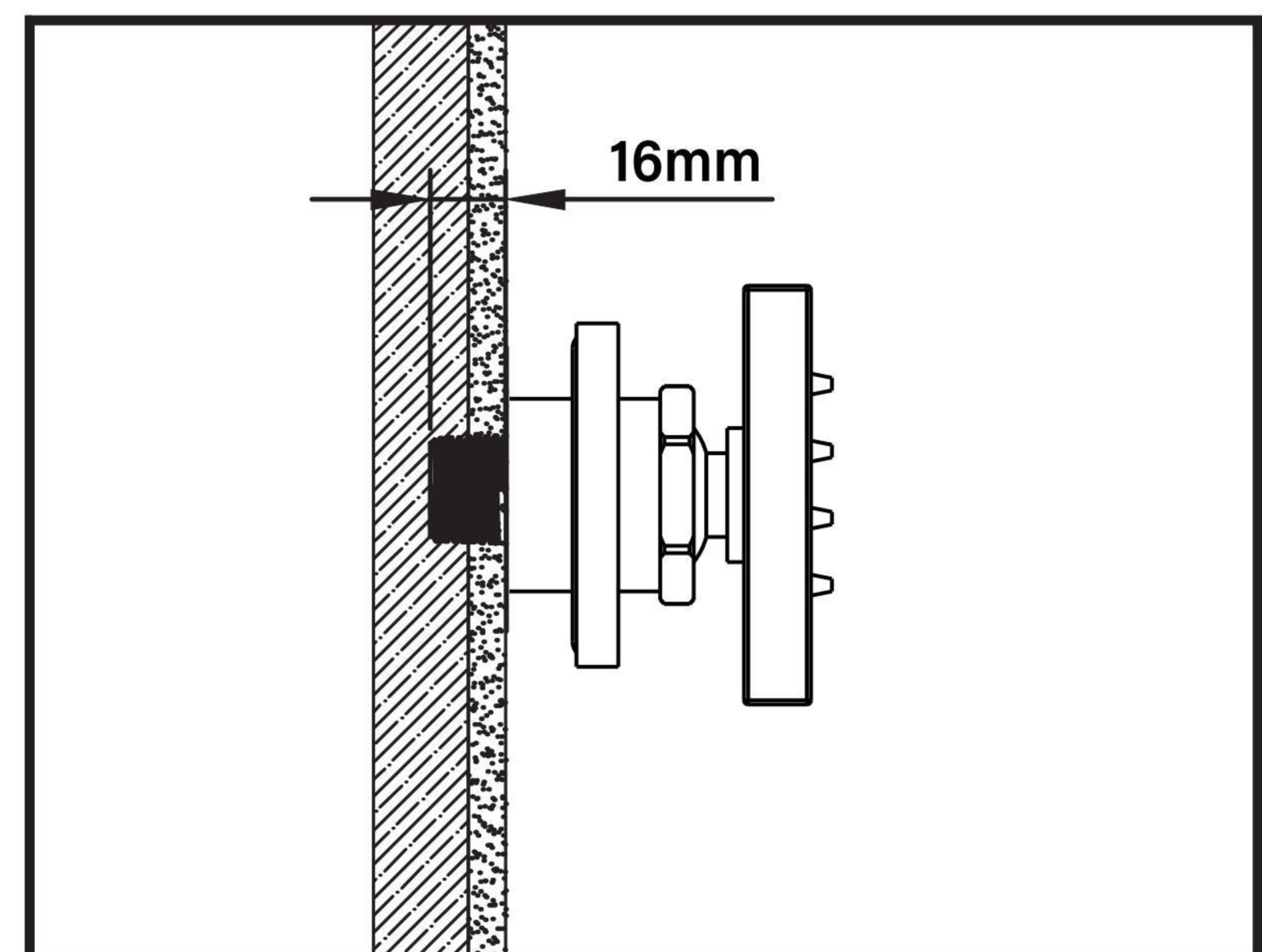
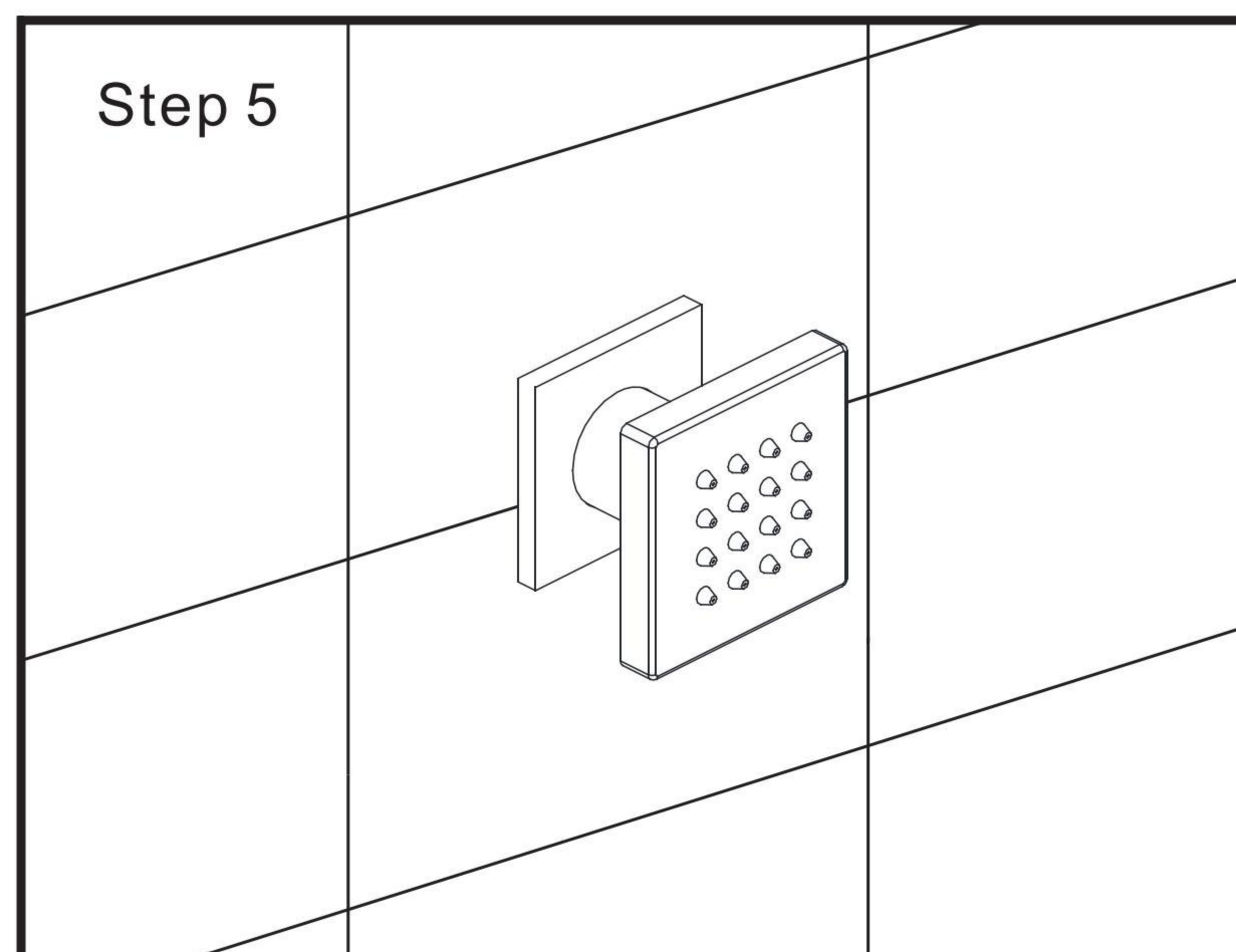
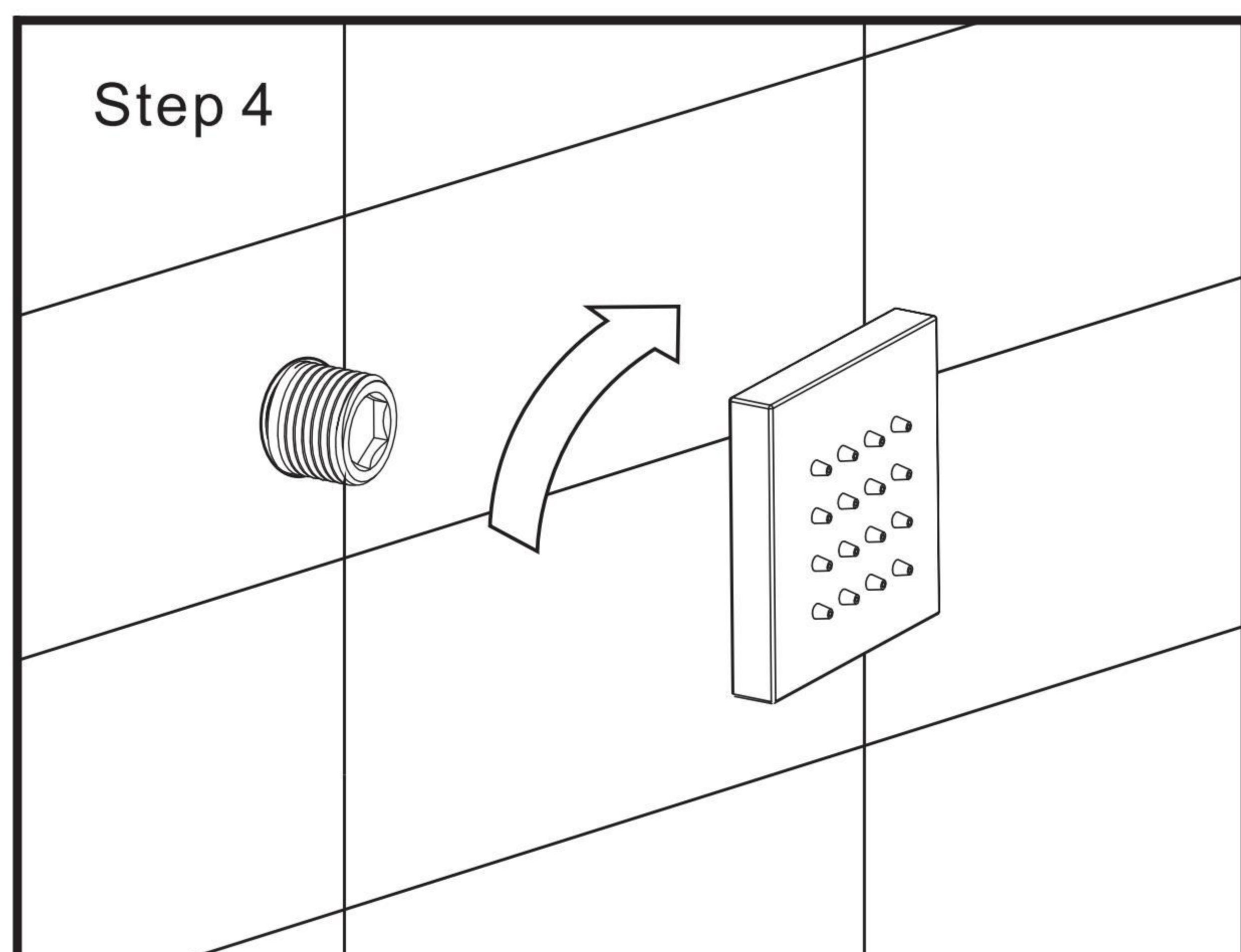
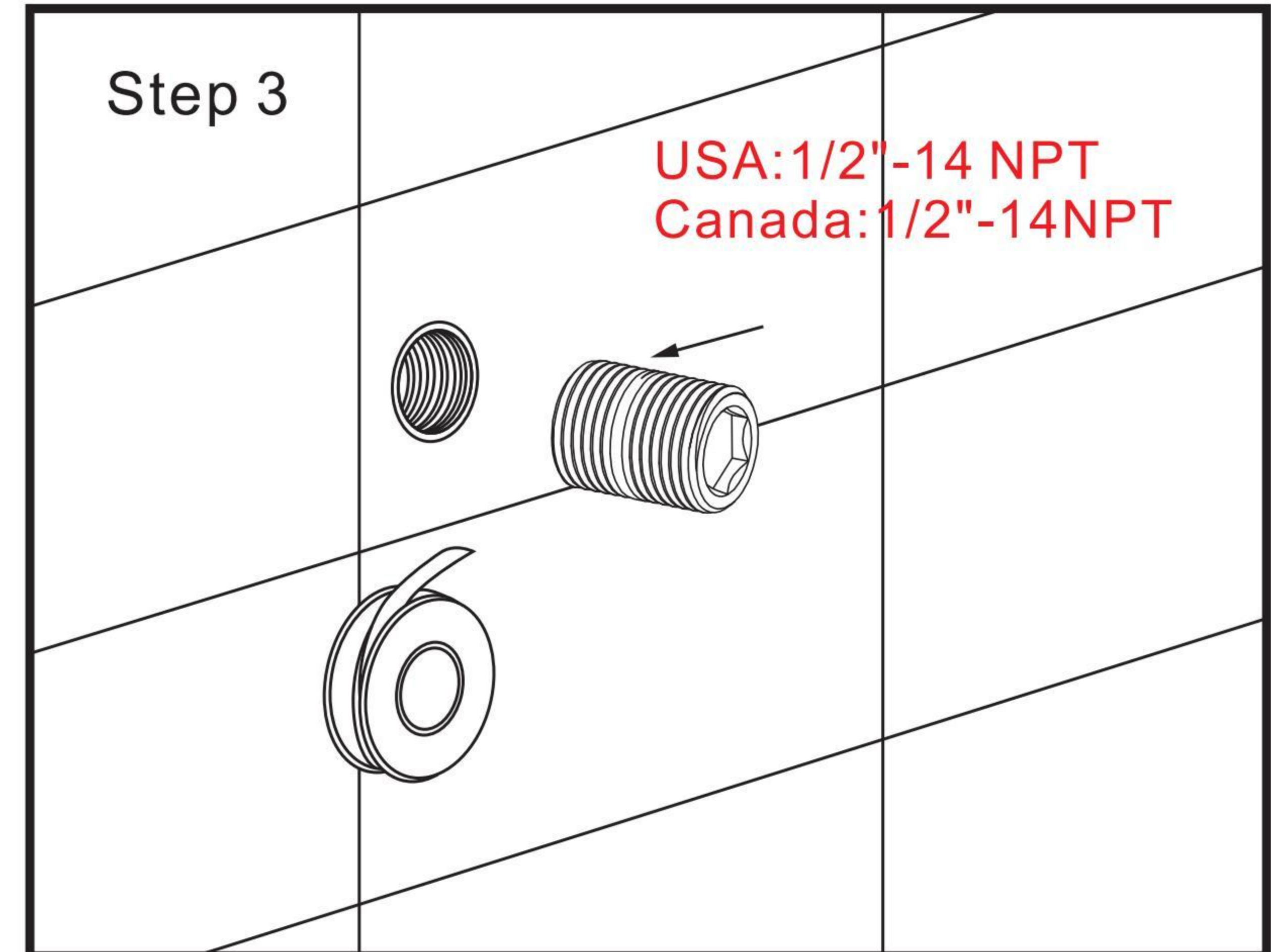
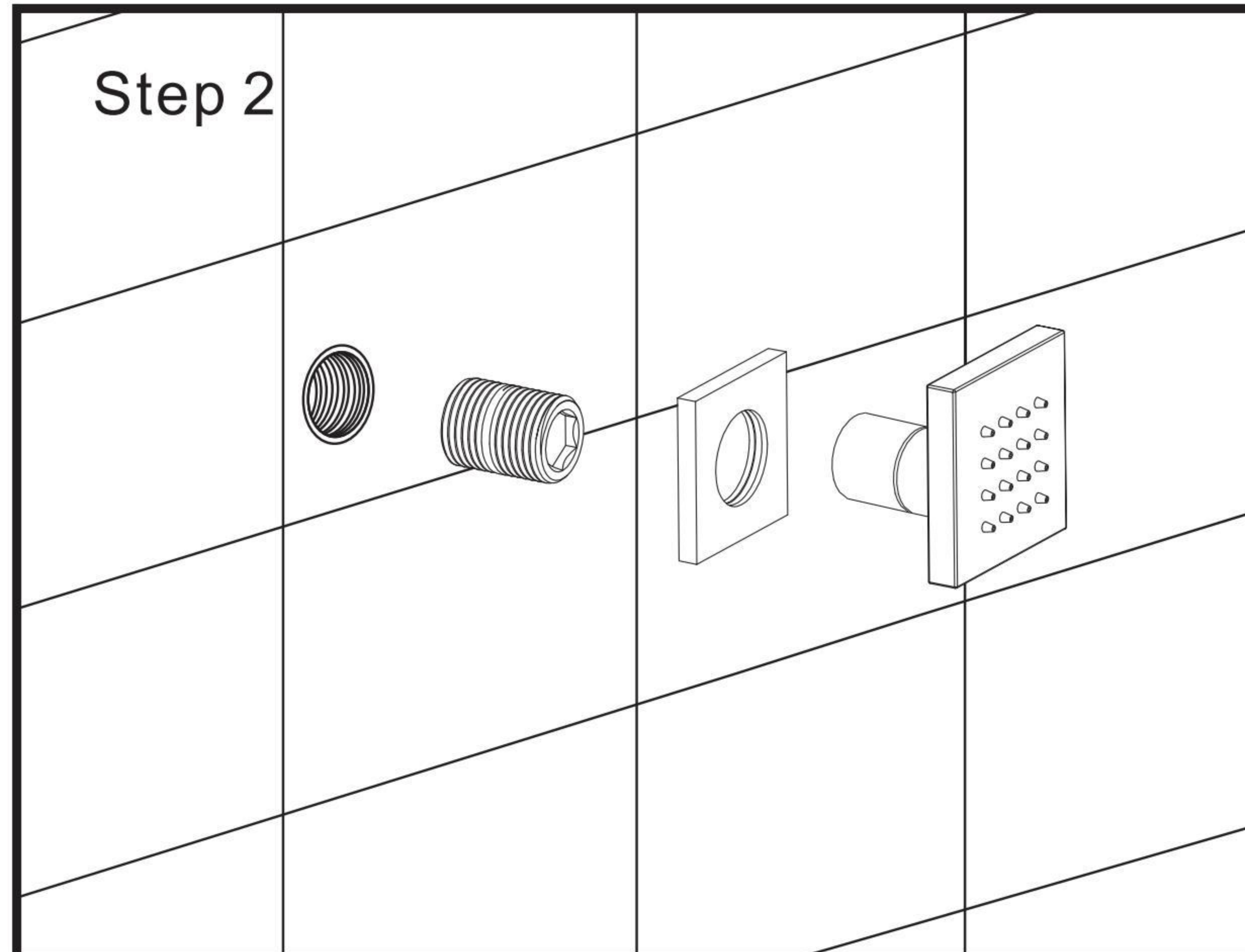
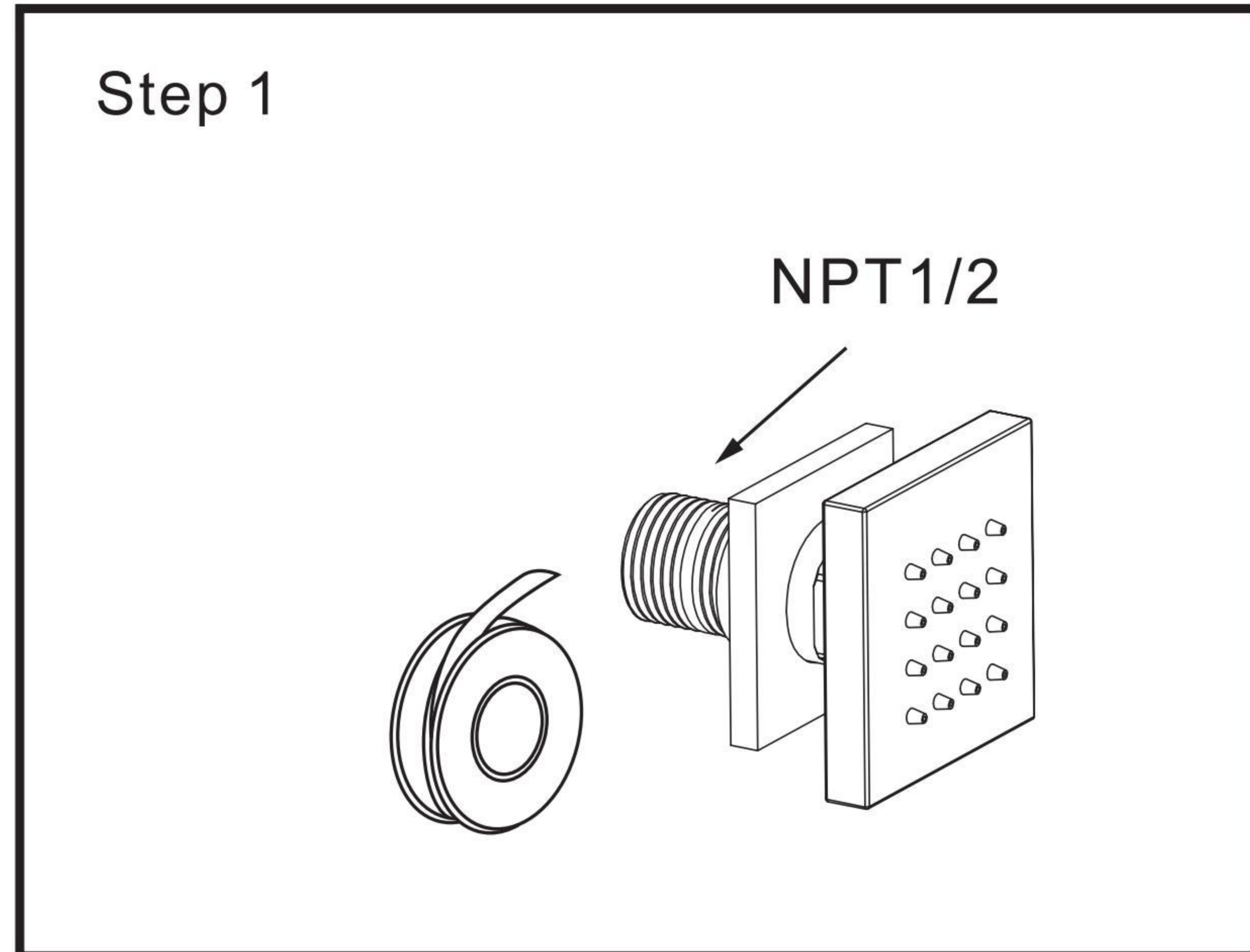


Step5. Install the plate cover for head shower.

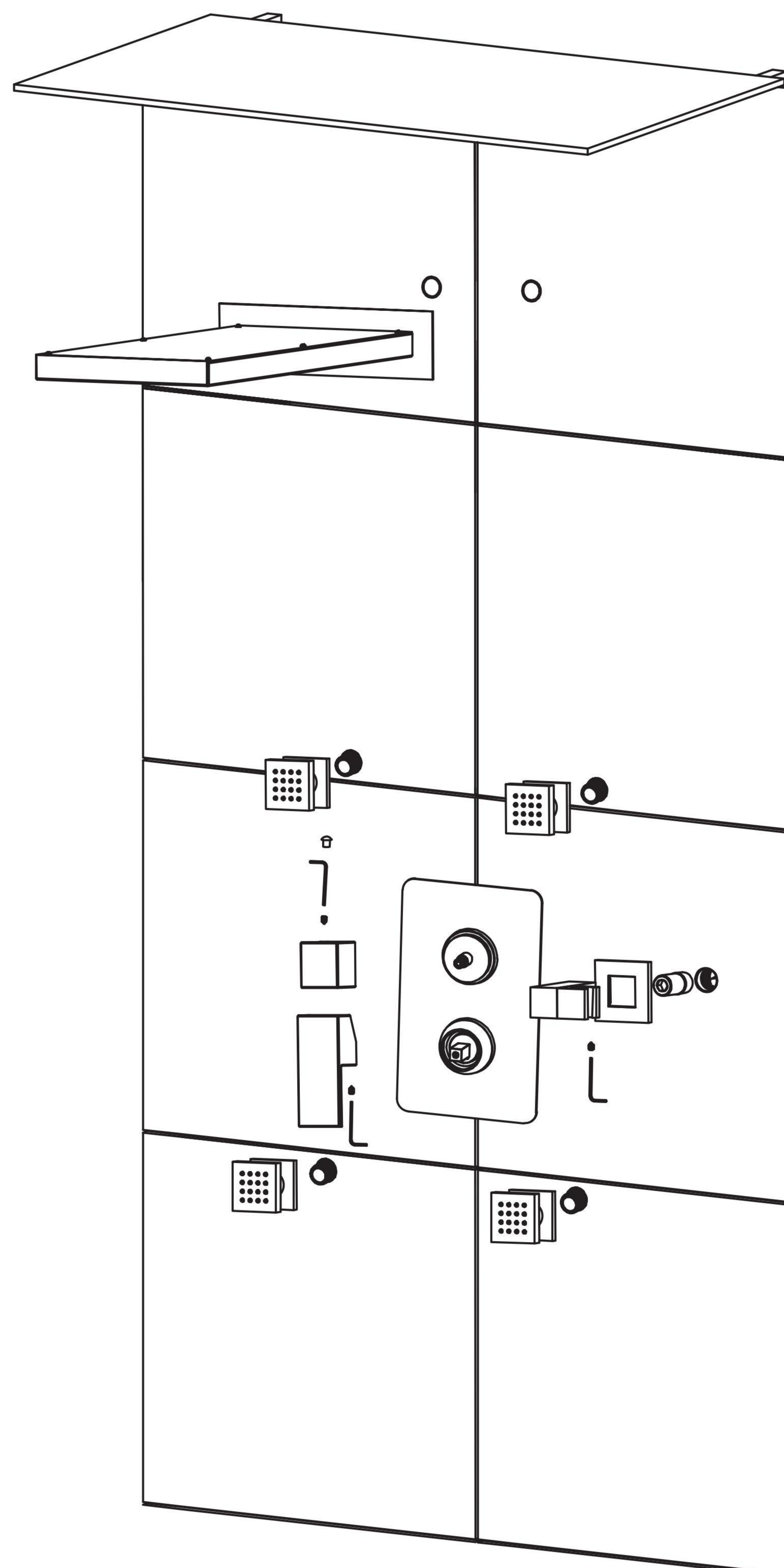


Step 6. Connect the head shower with concealed pipe fitting.

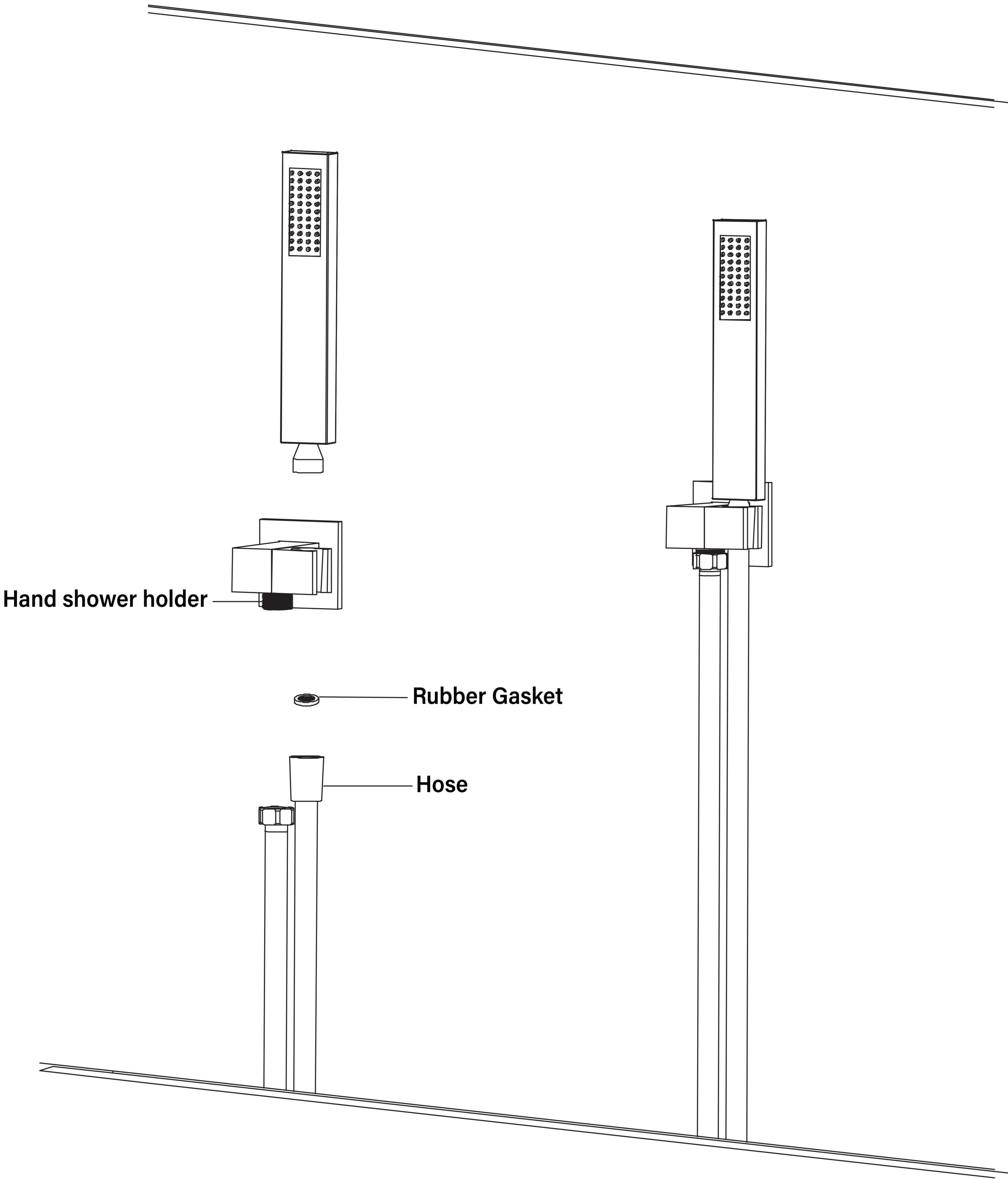
BODY JET INSTALLATION



Note: Wrap the threaded pipe of NPT1/2 with Teflon tape and screw it into the wall.

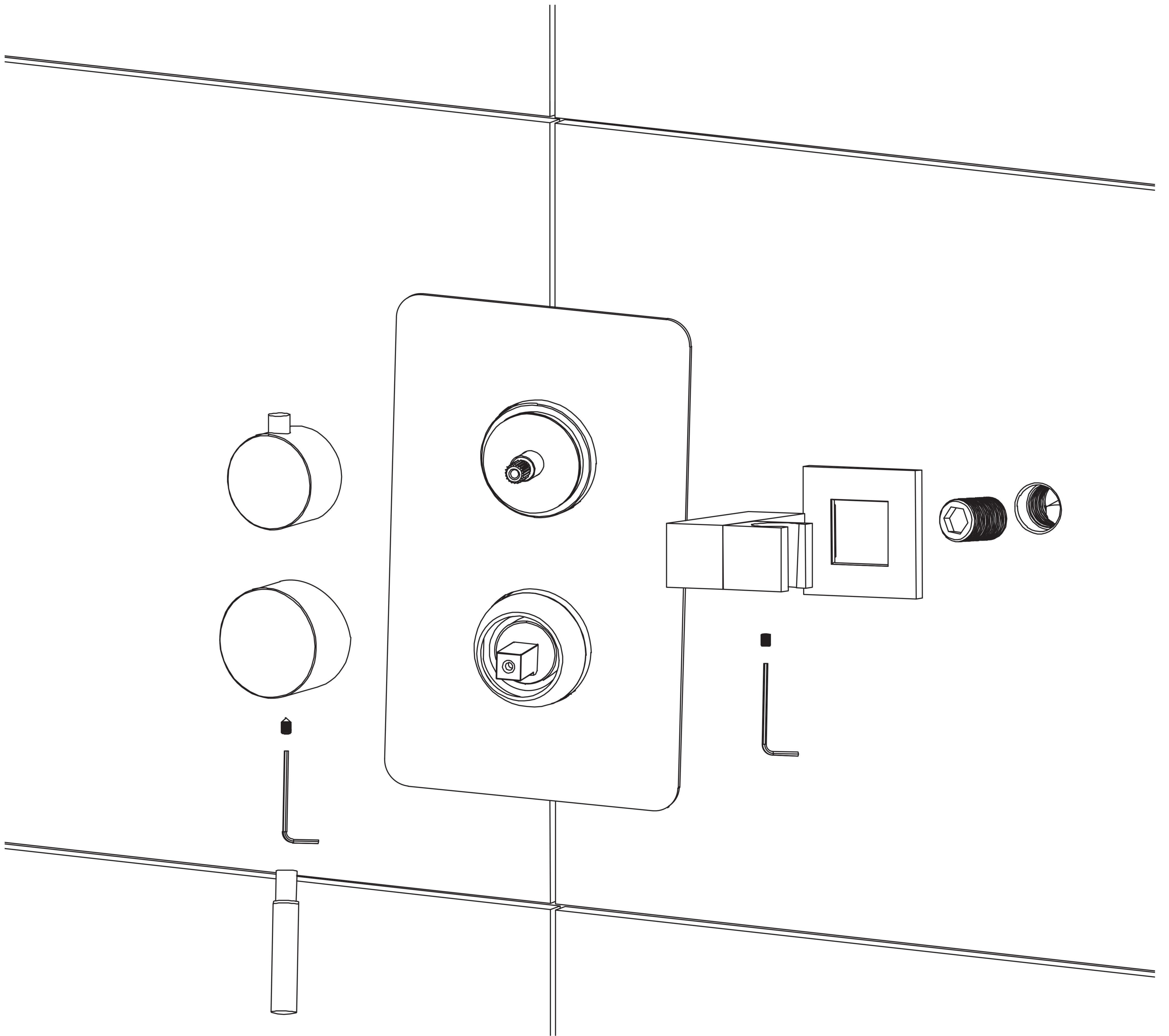


INSTALL THE HAND SHOWER



Note: Test the functionality of the hand shower. Check for any leaks.

DIVERTER KNOB INSTALLATION

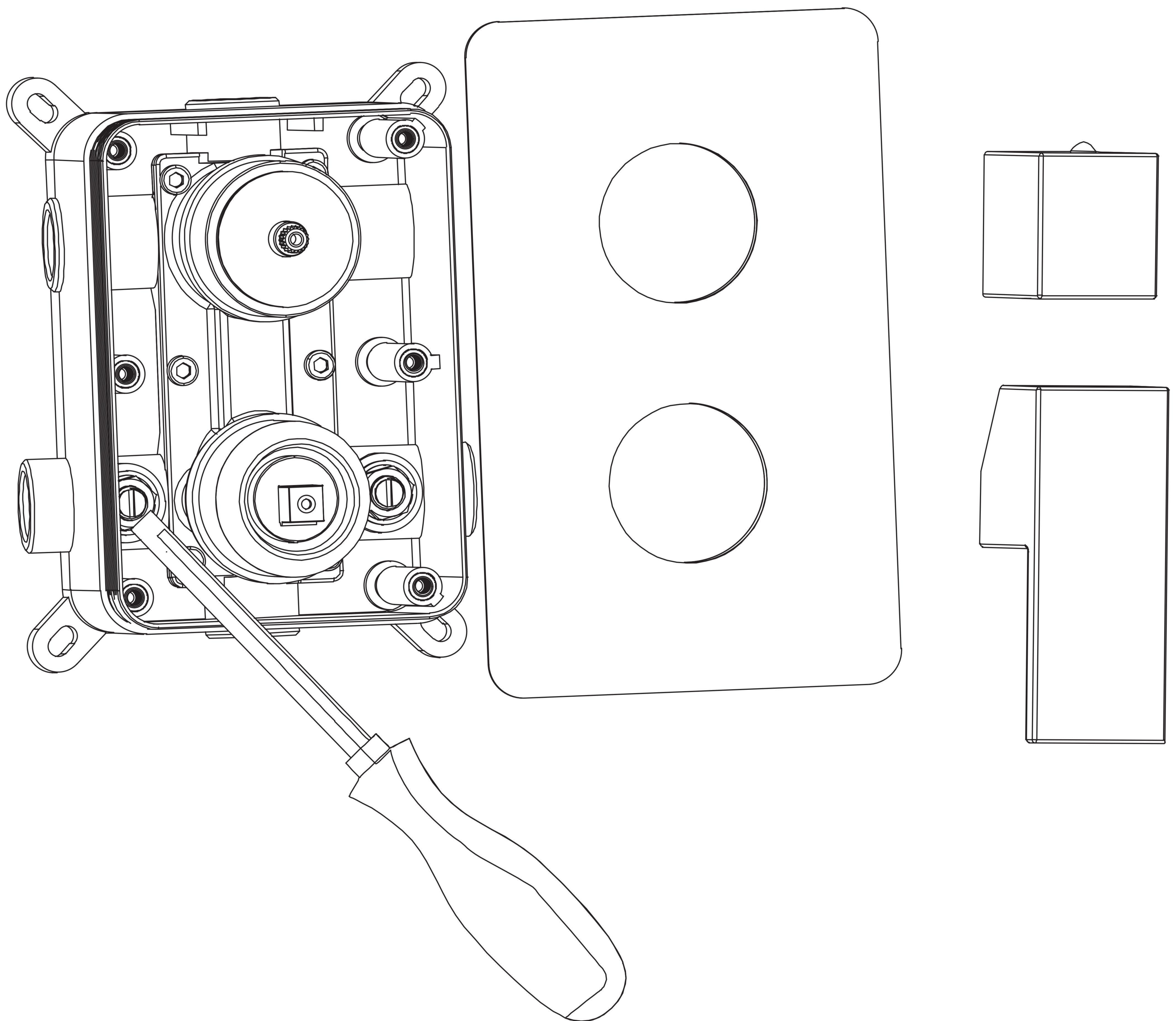


Note:



1. Take off protective cover on the valve, apply bead of quality sealant evenly along the back of metal plate.
2. Install the metal plate and diverter knobs step by step.
3. Install the handle and knobs with screw and screw caps.

SHOWER VALVE MAINTENANCE



Note: There are two flow regulator on the valve, to repair or maintain the valve faucet, first turn off the diverter knob. Then, remove the panel and turn the flow regulating valves until the water line is shut off.