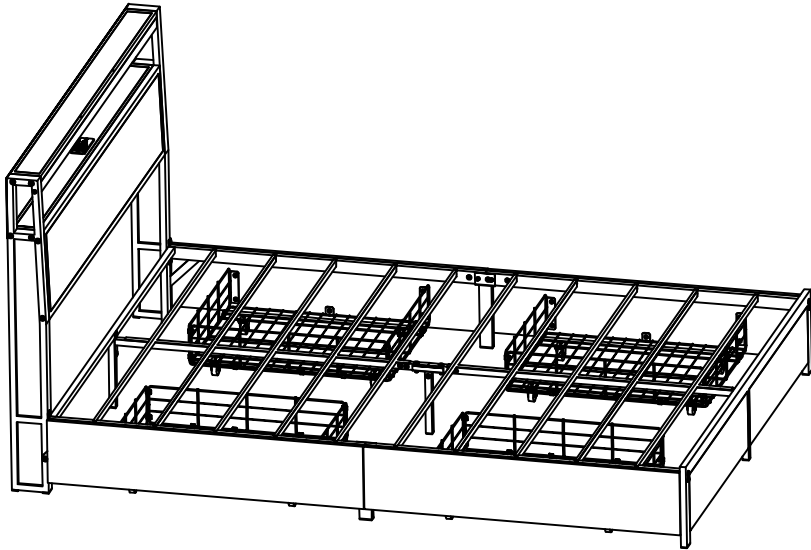


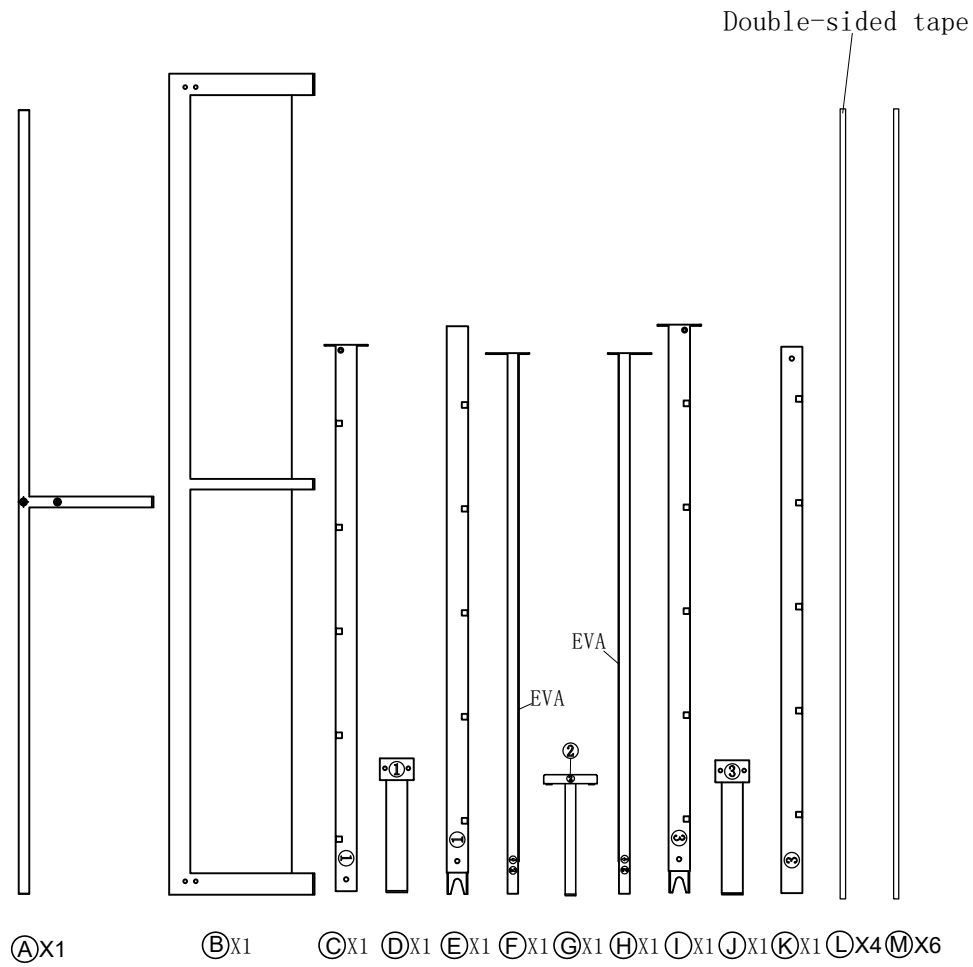
Bed Frame



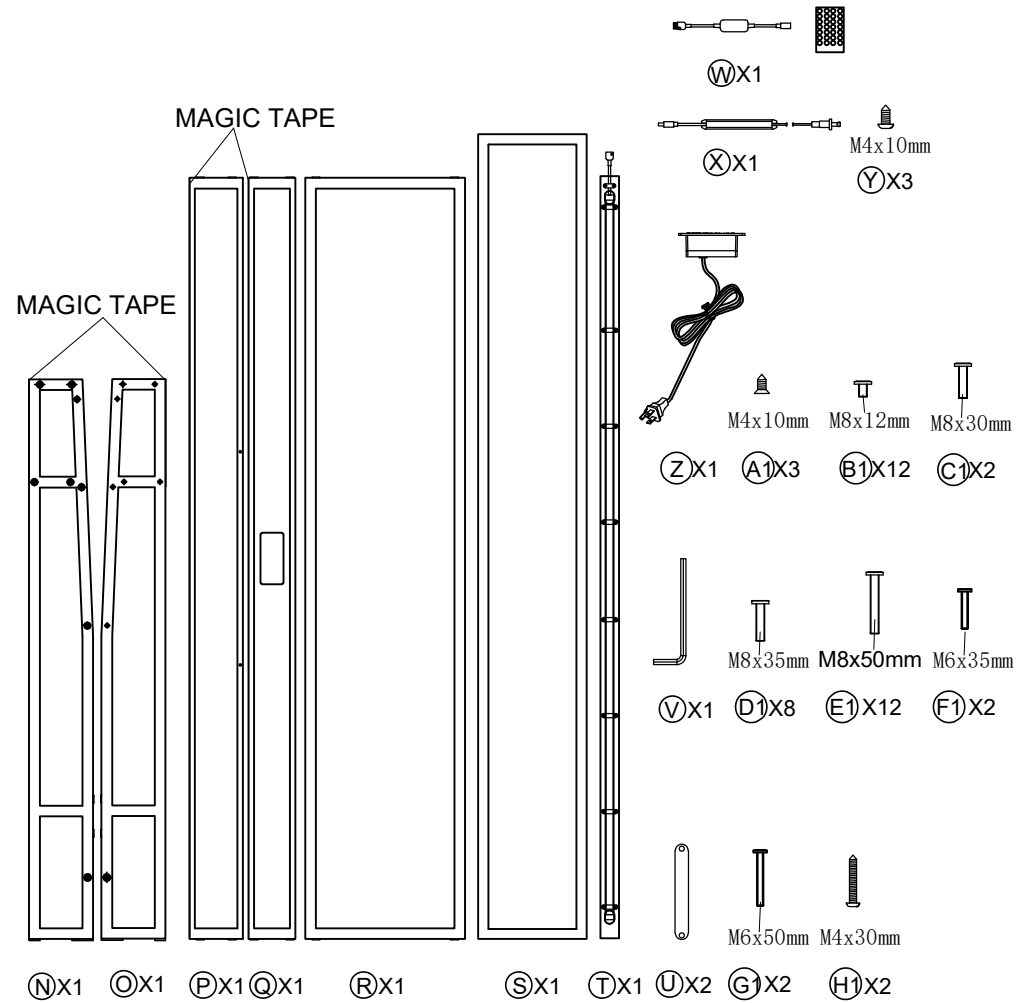
Model:C225-Q-BK+LP

PRODUCT GUIDE AND INSTALLATION MANUAL

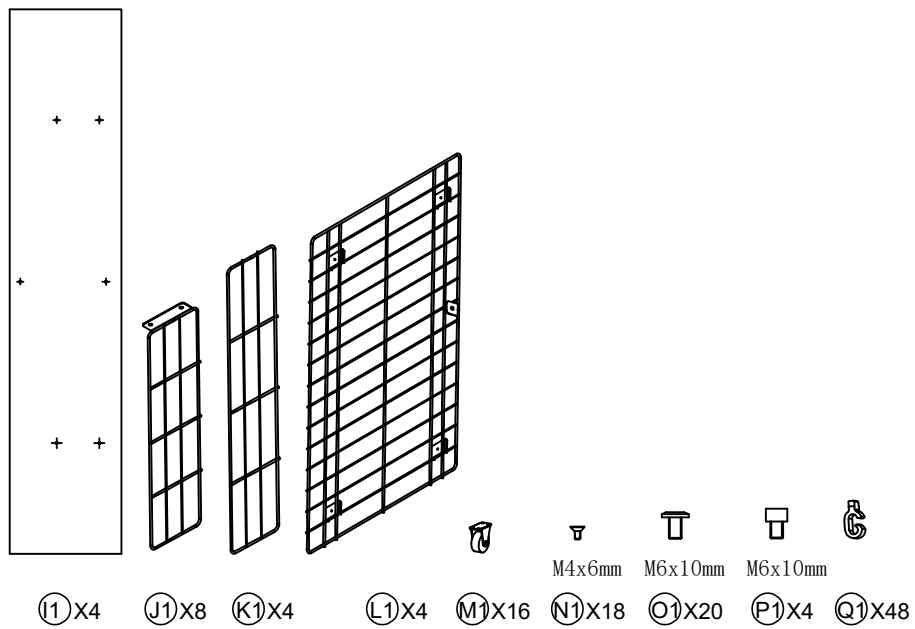
Parts List:



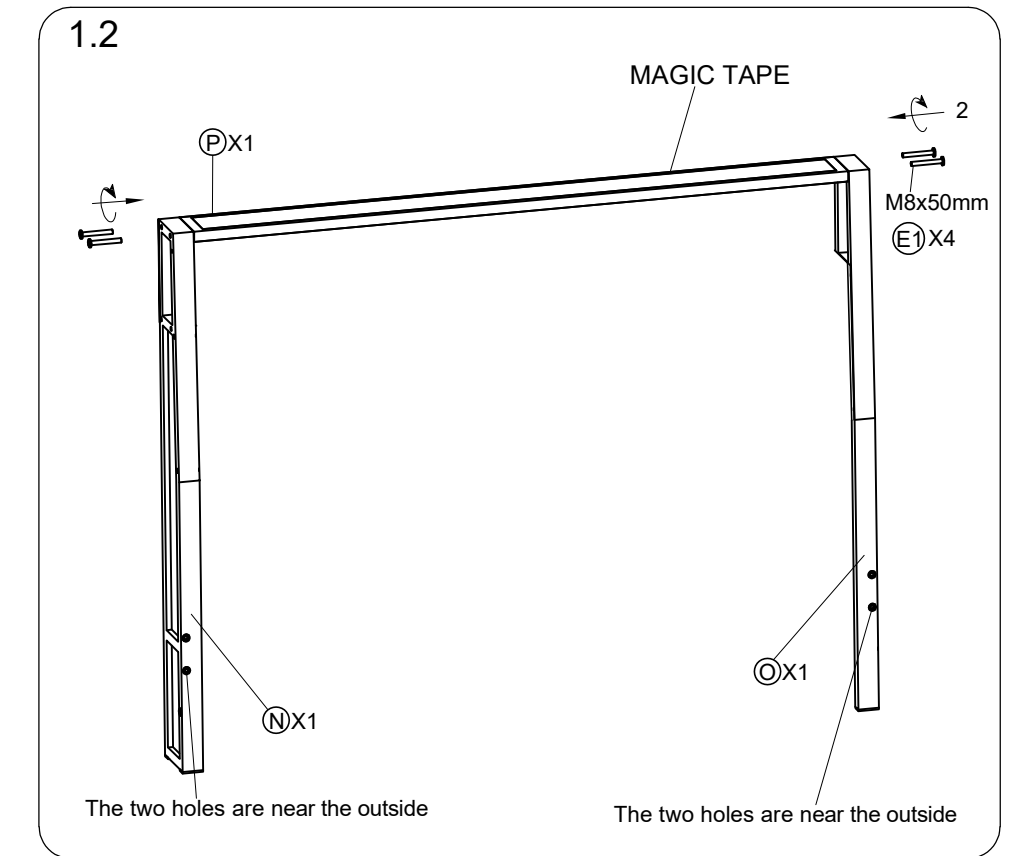
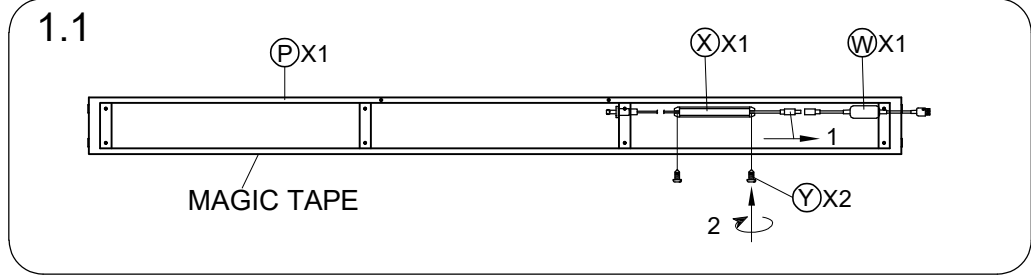
Parts List:



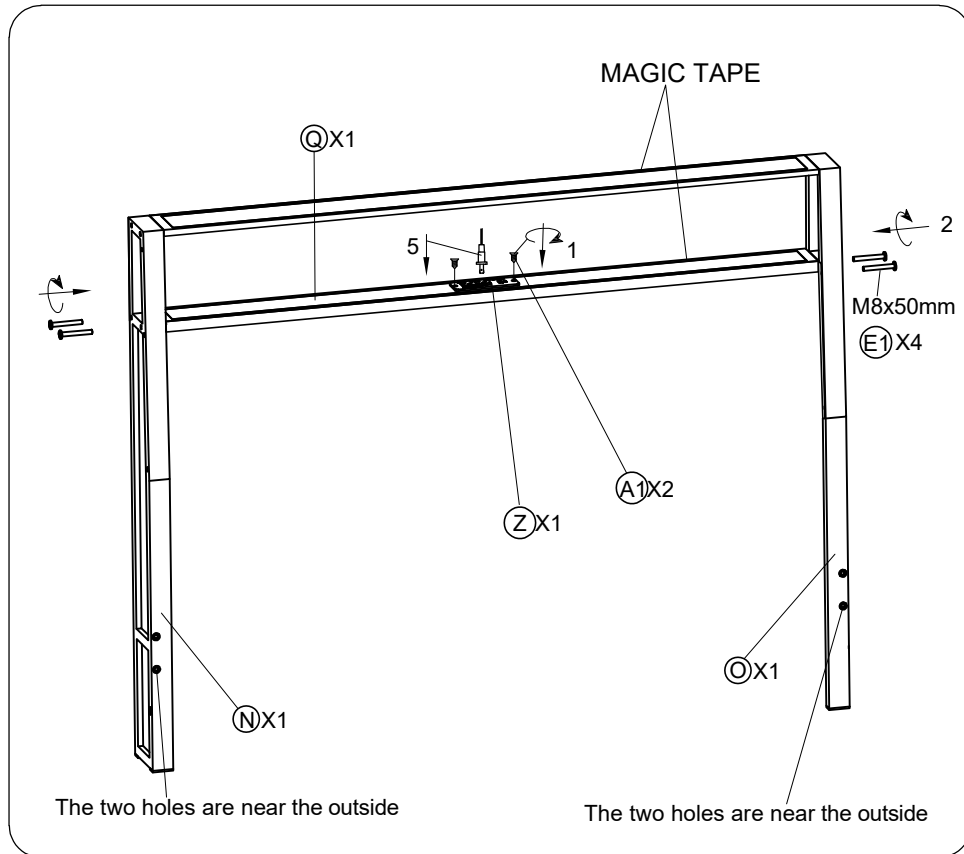
Parts List:



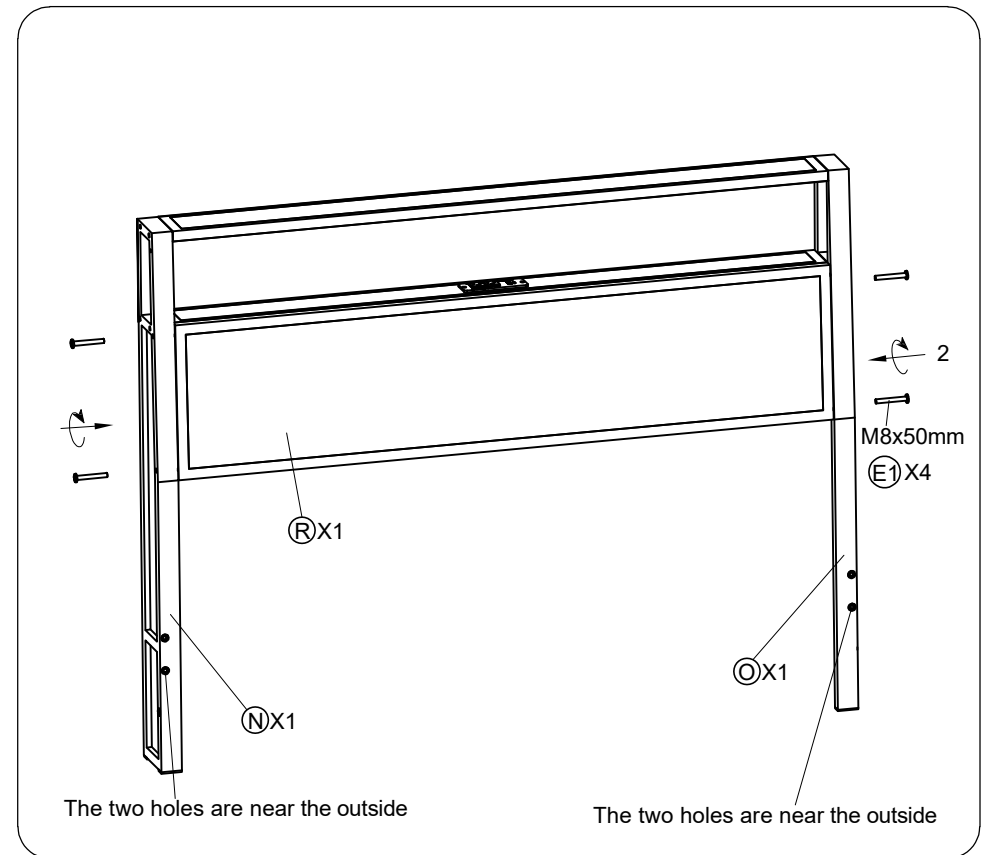
STEP 1



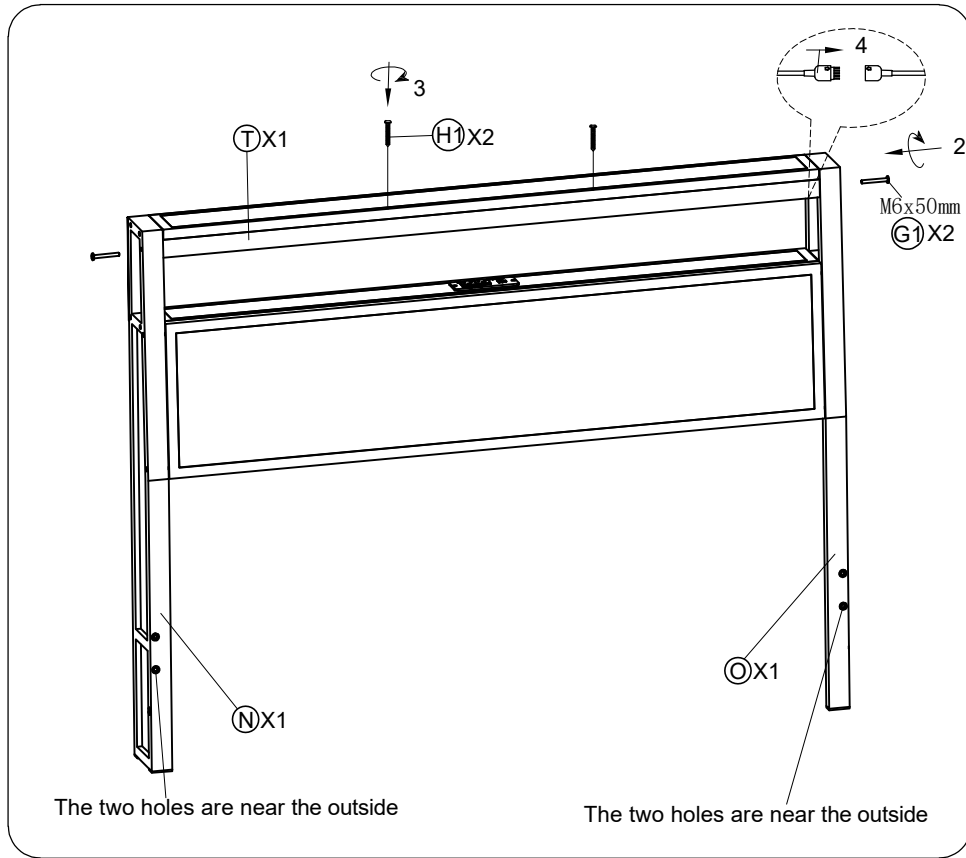
STEP 2



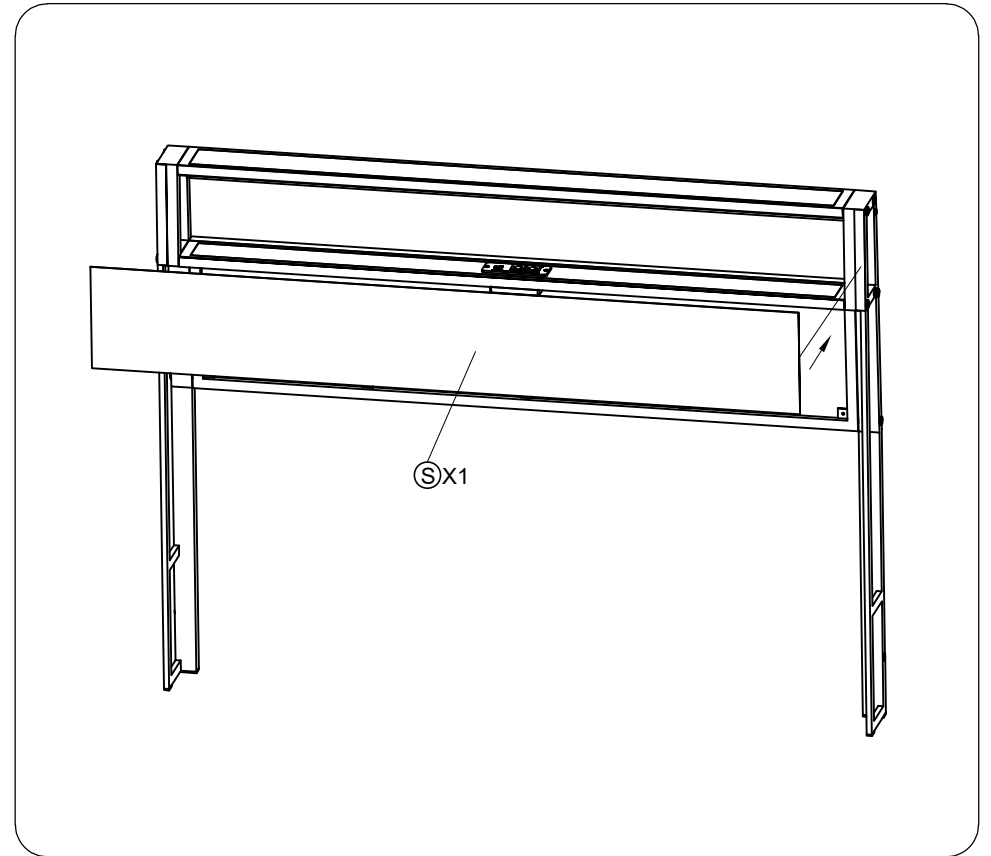
STEP 3



STEP 4



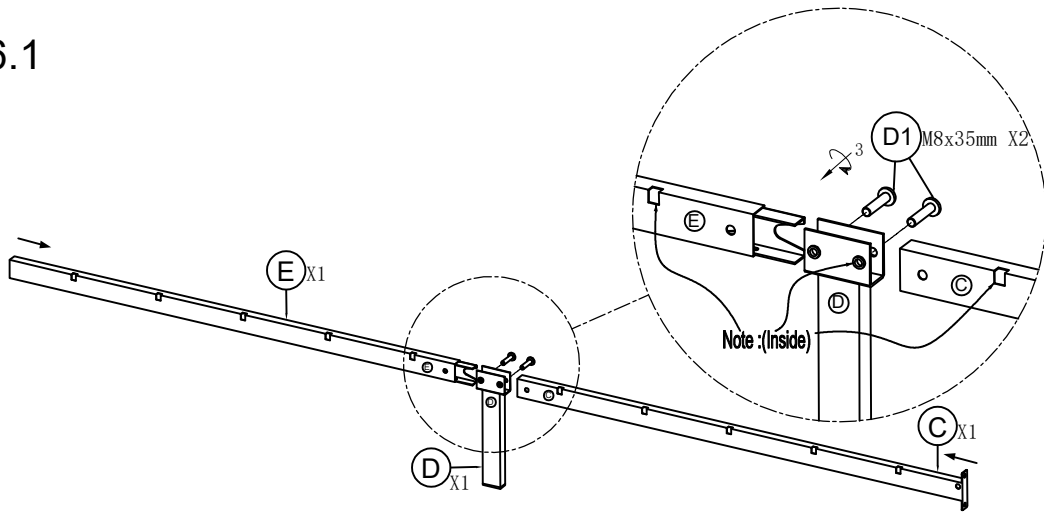
STEP 5



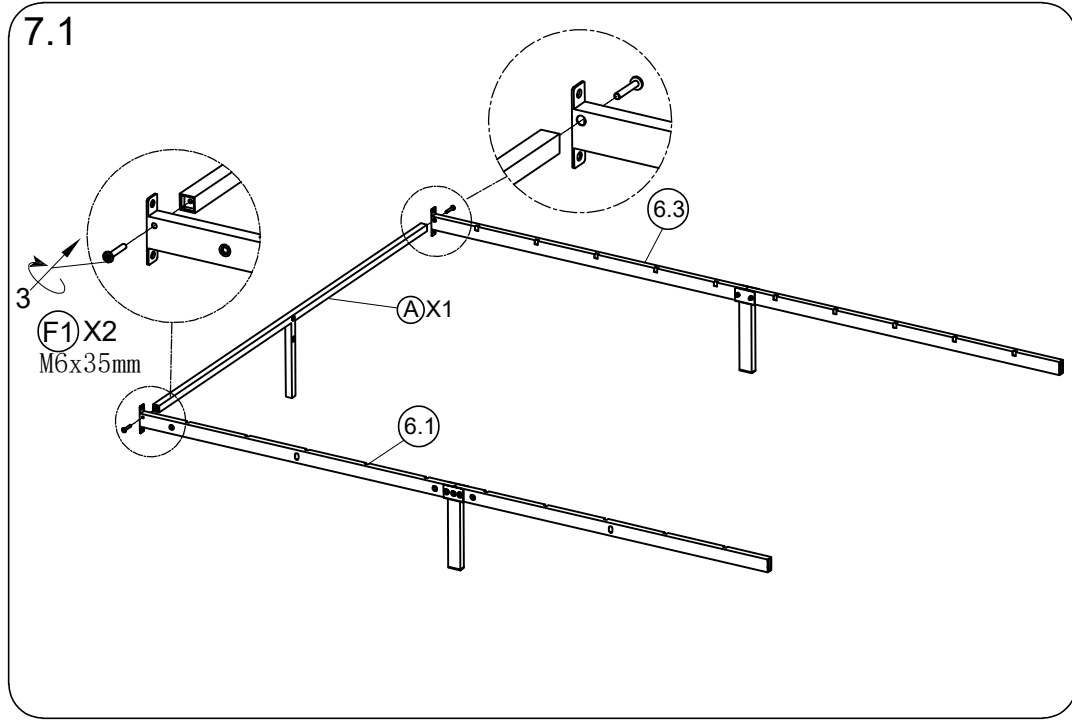
STEP 6

STEP 7

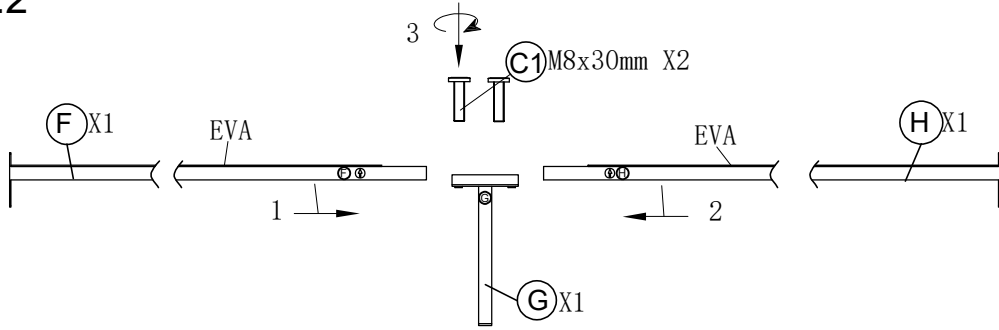
6.1



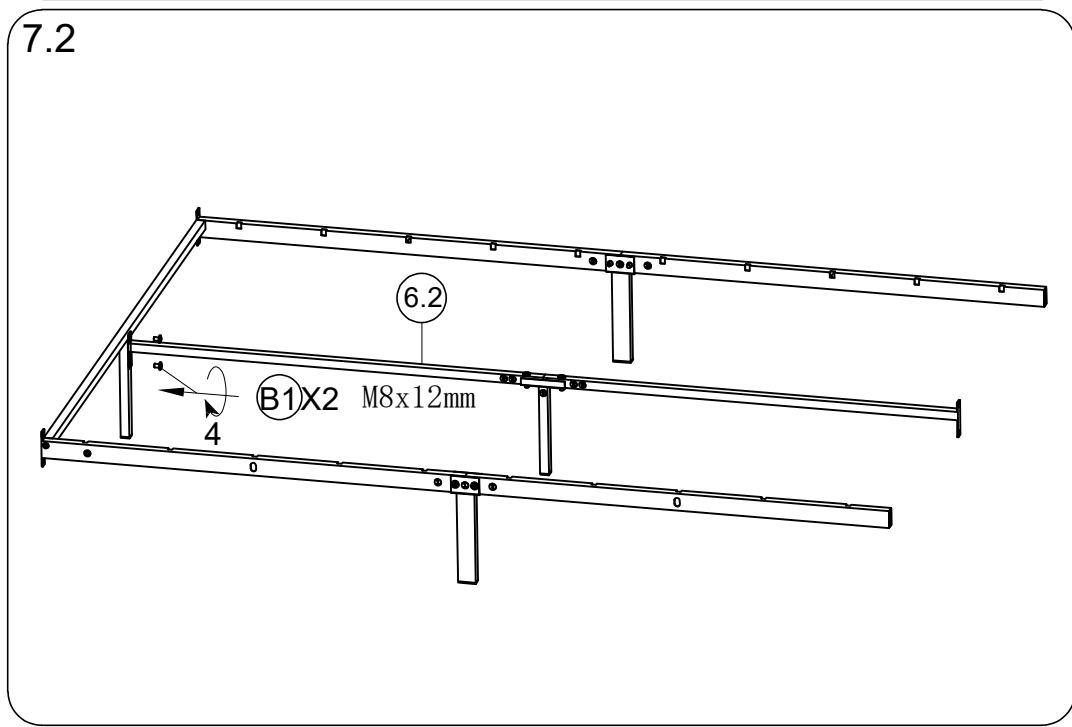
7.1



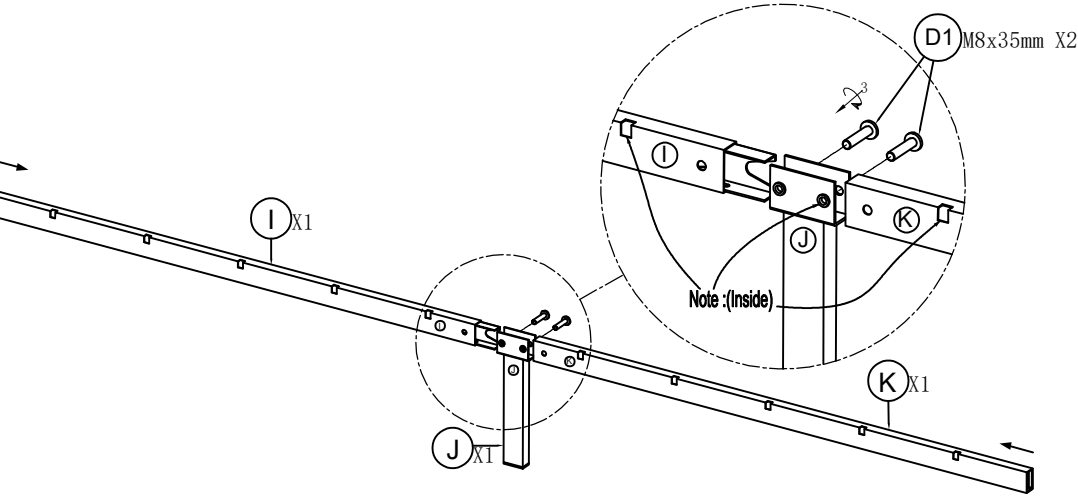
6.2



7.2

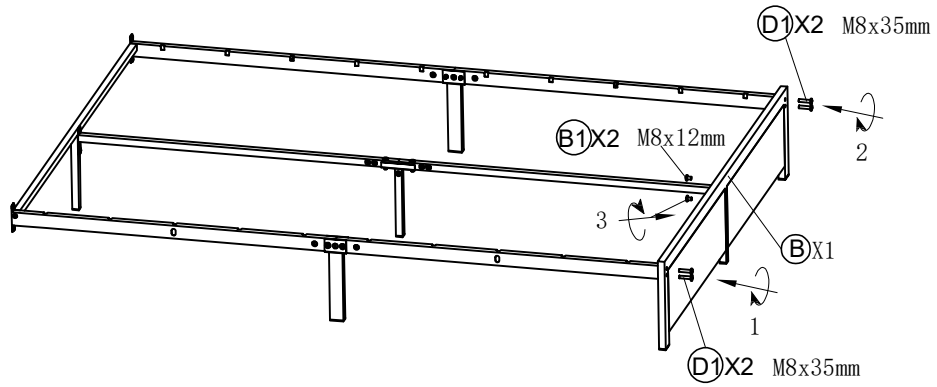


6.3



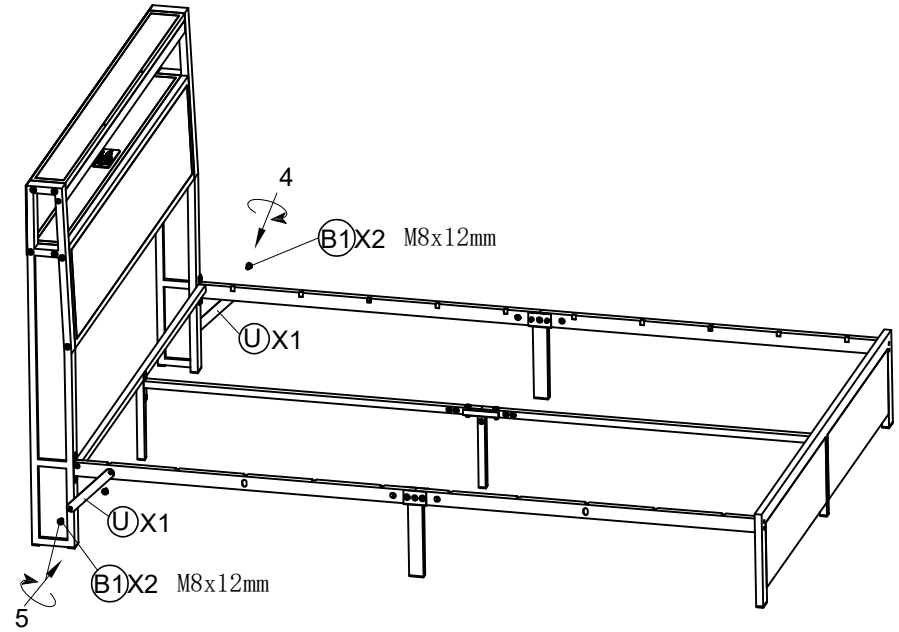
STEP 8

8.1

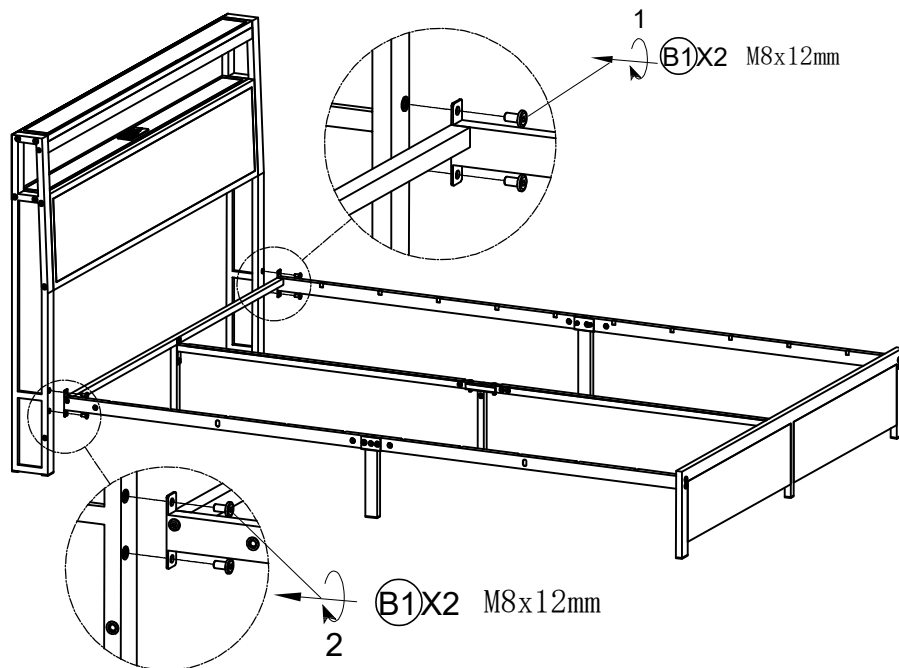


STEP 9

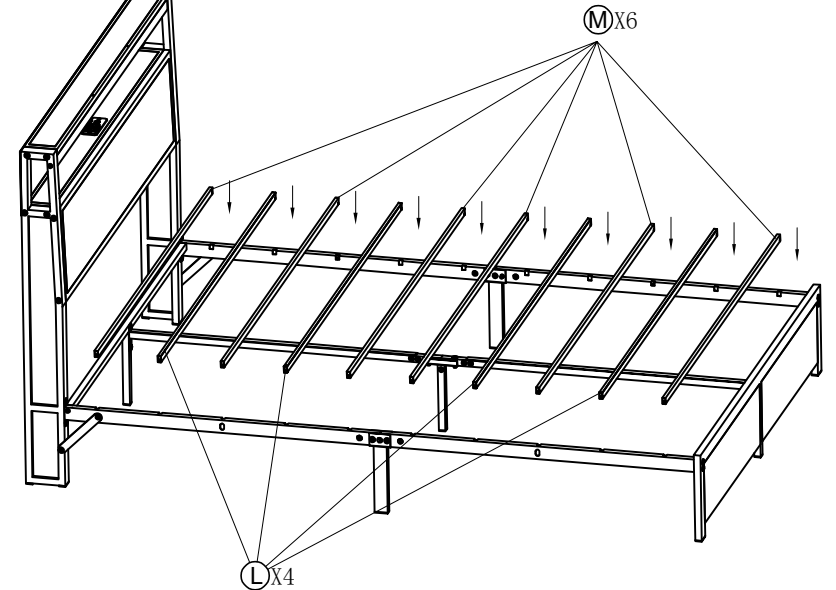
9.1



8.2



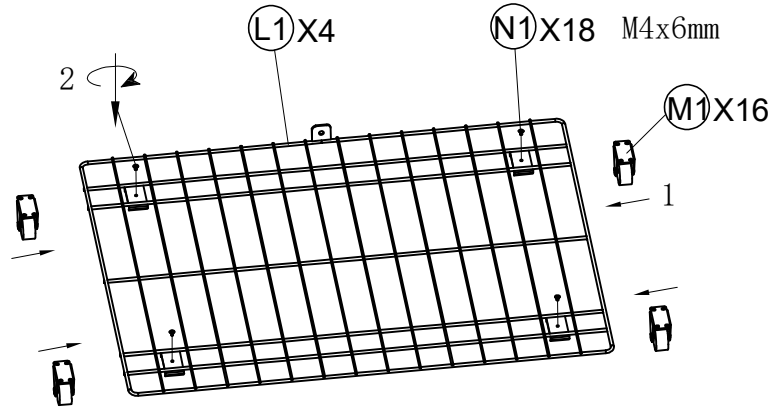
9.2



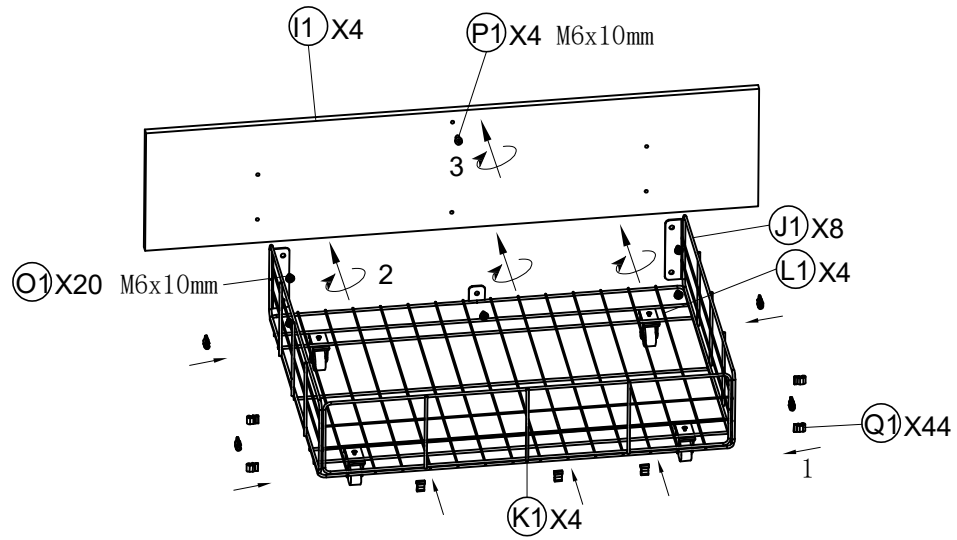
Tear off the double-sided adhesive tape before place the mattress.

STEP 10

10.1

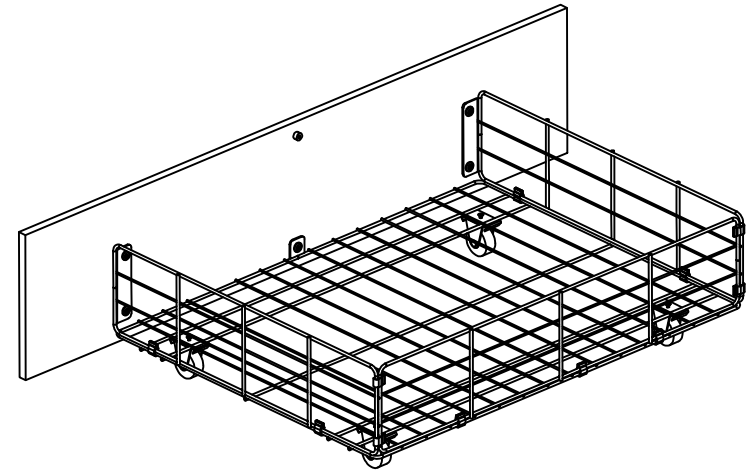


10.2

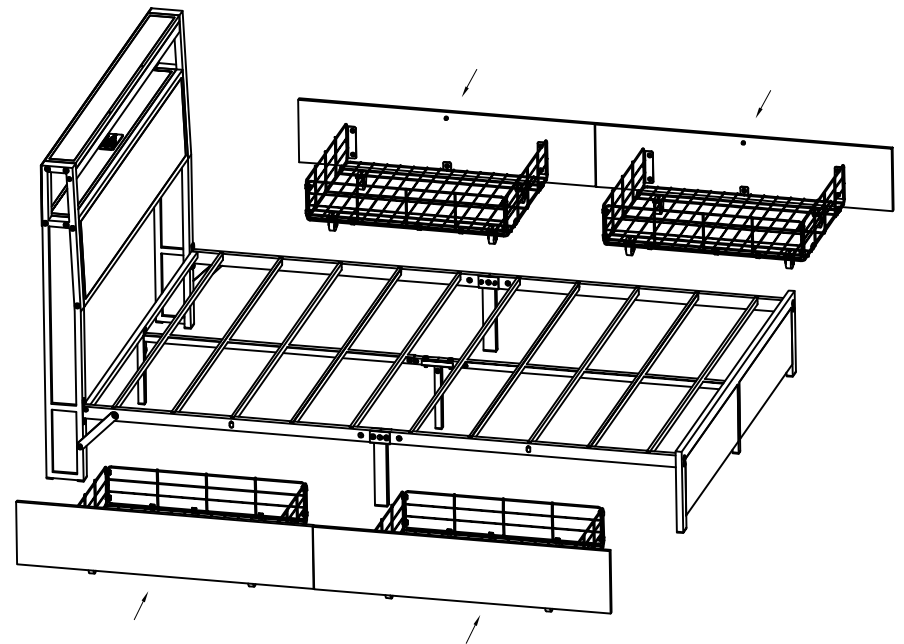


STEP 11

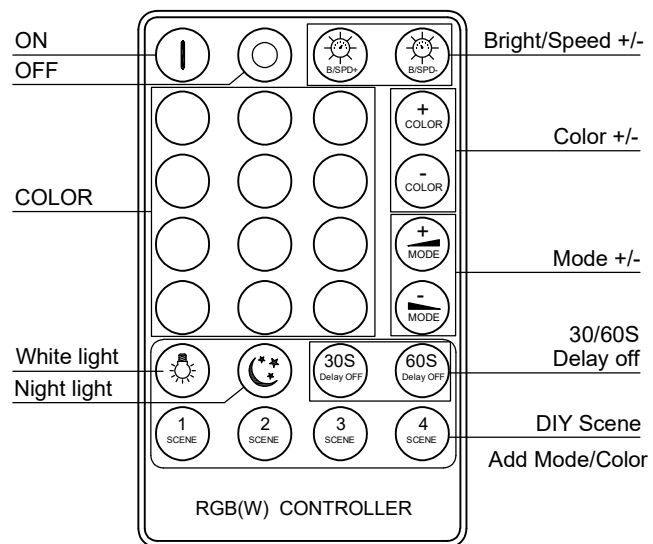
11.1



11.2



RGB(W) CONTROLLER



NO.	Dynamic modes	NO.	Dynamic modes
1	W+Red	7	3 colors jump
2	W+Green	8	3 colors fade
3	W+Blue	9	7 colors jump
4	W+Yellow	10	7 colors fade
5	W+Purple	11	Full colors fade
6	W+Cyan		