

List of Parts (continued)



WARNING: Use extreme caution when handling panels with cut edges. The corners are sharp.

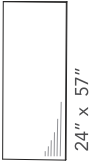
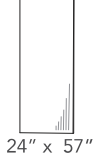
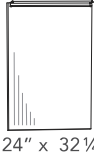
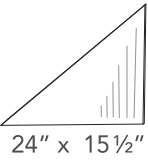
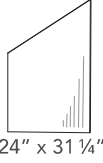
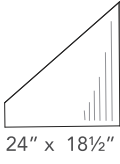
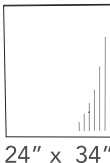
Profile	PT#	QTY	Steps
	F-1	45	2, 3, 4, 8
	F-2	1	6
	F-4	1	5
	F-5	1	5
	F-6	4	5, 6
	F-7	8	2, 3, 4, 5, 6
	F-8	4	5, 6

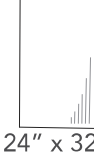
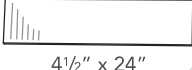
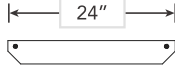
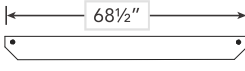
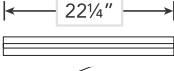
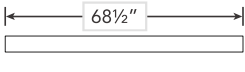
Profile	PT#	QTY	Steps
	F-10	4	3
	G-1	4	2, 4
	G-2	10	2, 4
	P-1A	4	1
	P-1B	4	1
	P-2A	4	1
	P-2B	4	1
	R-1	2	1
	R-1E	4	7

List of Parts (continued)



WARNING: Use extreme caution when handling panels with cut edges. The corners are sharp.

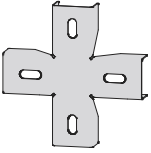
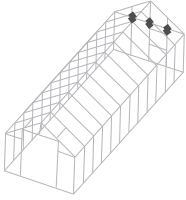
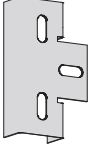
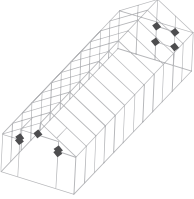
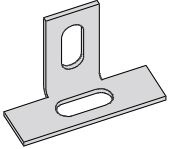
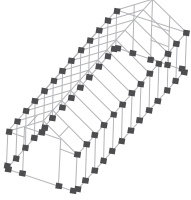
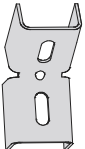
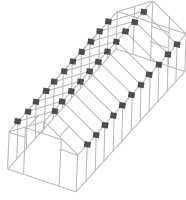
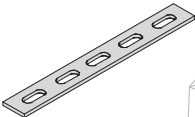
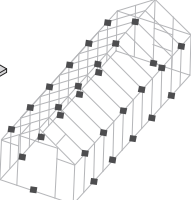

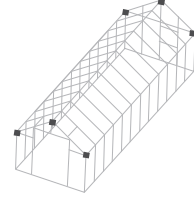
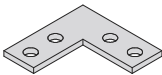
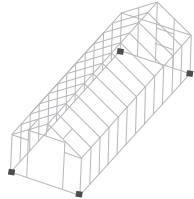
Profile	PT#	QTY	Steps
 24" x 57"	W-1	29	2, 3, 4
 24" x 57"	W-8	22	8
 24" x 32 1/4"	W-10	2	8
 24" x 15 1/2"	W-3	4	4, 5
 24" x 31 1/4"	W-4	2	6
 24" x 18 1/2"	W-5	2	4
 24" x 34"	W-6	4	10


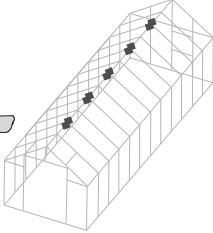
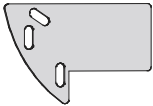
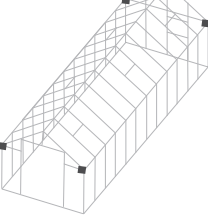
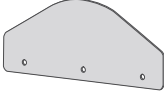
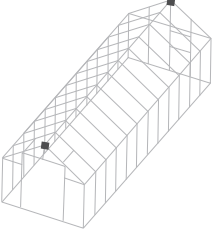
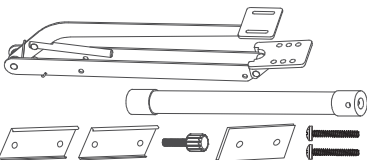
Profile	PT#	QTY	Steps	
 24" x 32 1/2"	W-7	1	3	
 4 1/2" x 24"	W-9	1	3	
Assembled Vents		PT#	QTY	Steps
	V-4	2	9	
Door Profiles		PT#	QTY	Steps
 24"	E-1	4	10	
 68 1/2"	E-2	4	10	
 22 1/4"	E-3	2	10	
 68 1/2"	E-4	1	10	

List of Parts (continued)



WARNING: Use extreme caution when handling panels with cut edges. The corners are sharp.

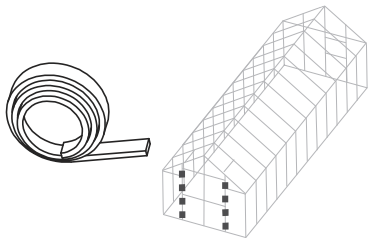
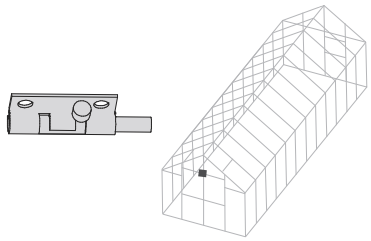
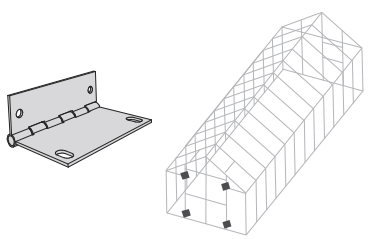
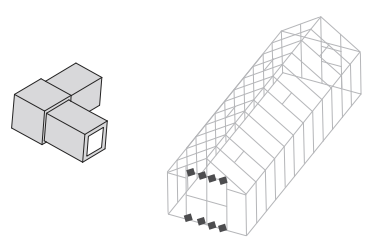
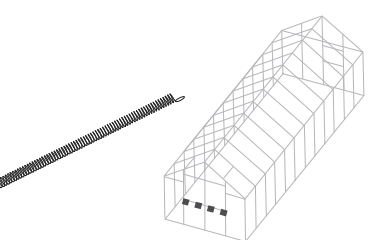
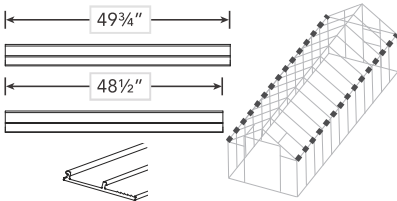

Connectors	PT#	QTY	Steps
 	B-1	6	6
 	B-2	9	3, 5
 	B-3	86	2, 3, 4, 5, 10
 	B-4	33	8
 	B-5	29	1, 2, 4, 7
 	B-7	6	5, 6, 7
 	B-8	4	1


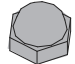

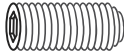

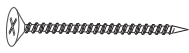
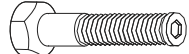



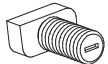

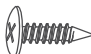


Connectors	PT#	QTY	Steps
 	B-10	10	7
 	C-1	4	5, 6
 	C-2	2	7
Vent Opener	PT#	QTY	Steps
	V-3	2	9

List of Parts (continued)



WARNING: Use extreme caution when handling panels with cut edges. The corners are sharp.

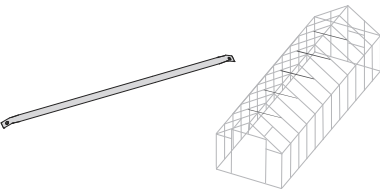
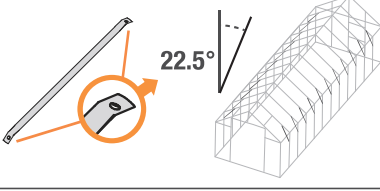
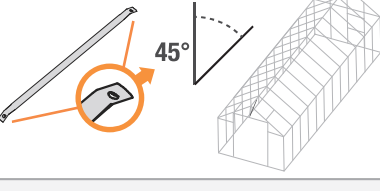
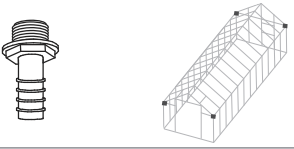
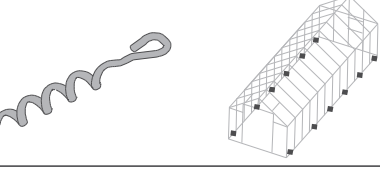
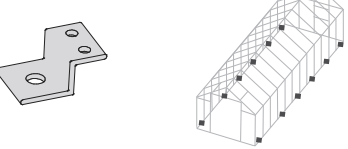
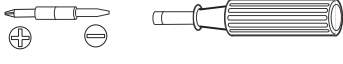


Connectors	PT#	QTY	Steps
	D-4	20'	10
	D-7	1	10
	D-8	4	5
	D-9	8	10
	D-10	2	10
Trim Plates	PT#	QTY	Steps
	G-4	4	8
	G-4E	8	8

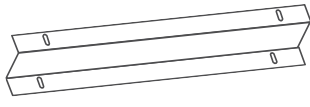
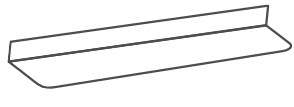
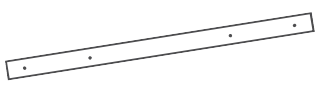
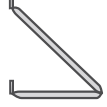



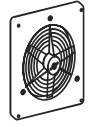
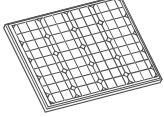


Hardware	PT#	QTY	Steps
	S-1	8	9
	S-2C	525	1-8,10-12
	S-2A	2	5
	S-2B	2	5
	S-2D	2	5
	S-4	110	11
	S-5A	5	7
	S-5B	5	8,12
	S-5D	5	8,12
	S-6	4	9
	S-7	525	1-8, 10, 11
	S-8A	8	5
	S-9	38	10
	S-11	4	12
	S-12	8	12

List of Parts (continued)



WARNING: Use extreme caution when handling panels with cut edges. The corners are sharp.

Brace	PT#	QTY	Steps
	B-9	5	8
	B-11	24	8
	B-12	2	8
Gutter Drain	PT#	QTY	Steps
	G-3	4	8
Ground Anchors	PT#	QTY	Steps
	A-1	12	11
	A-2	12	11
Included Tools	PT#	QTY	Steps
 Phillips/Flat Combination Screwdriver	T-10	1	1-11
 7/16" Wrench	T-2	1	1-10
 23 1/8" Spacer	T-3	1	2, 3, 4

Fan Parts	PT#	QTY	Steps
	H-1	2	12
	H-2	2	12
	H-3	2	12
	H-4	2	12
	H-5	4	12
	H-6	1	12
	H-7	1	12
	H-8	1	12
	H-9	1	12
	H-10	10'	12
	H-11	8'	12