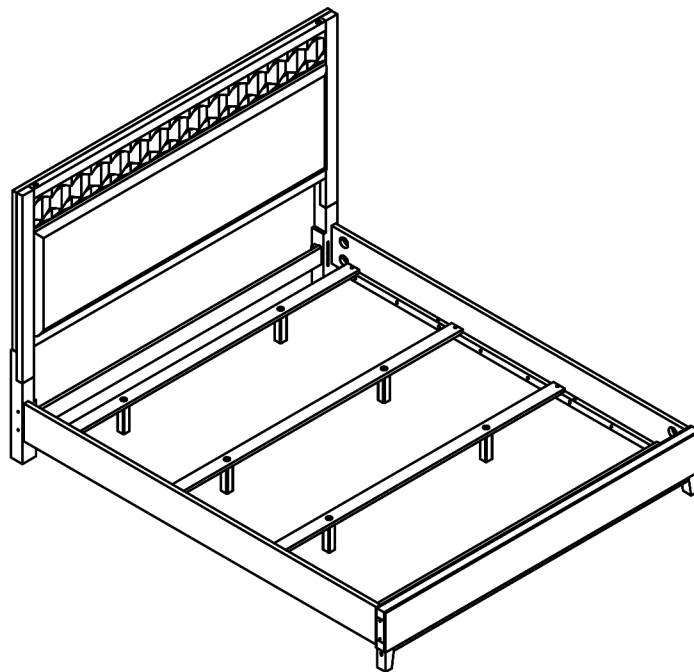


Assembly Instructions

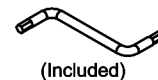


ASSEMBLY RATING

The Assembly Rating is a 5-point system that shows the degree of effort needed in assembling a specific product (with 1 being easy and 5 being difficult). For some products, two persons are recommended.

Tools Required For Assembly:

Allen Wrench



(Included)

Wrench



(Included)

Phillips Screwdriver



(Not Included)

EASY



DIFFICULT

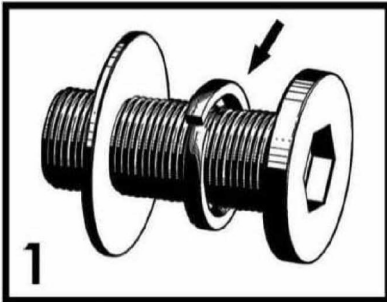


2 PERSONS RECOMMENDED

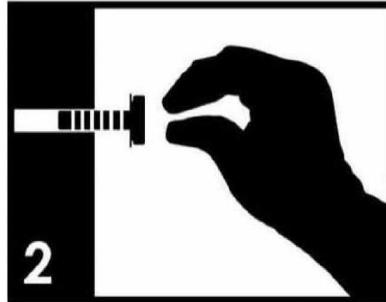
ASSEMBLY & CARE ADVICE

FOR YOUR FURNITURE TO LAST, CORRECT ASSEMBLY AND PROPER MAINTENANCE ARE NECESSARY. PLEASE FOLLOW THE INFORMATION PROVIDED BELOW TO FULLY ENJOY YOUR FURNITURE.

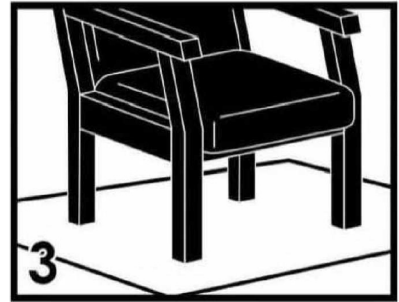
BASIC ASSEMBLY TECHNIQUES



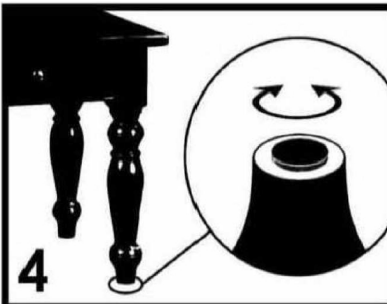
When lock or spring washer is used in an assembly, please make sure the lock or spring washer is placed between the larger flat washer and the head of the screw or bolt.



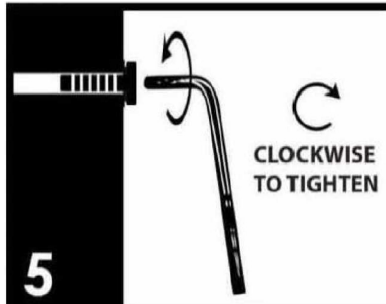
Position each part correctly and insert screws or bolts into their respective holes by hand tighten or using the proper hand tool. Only tighten when step is completed or when instructed to do so.



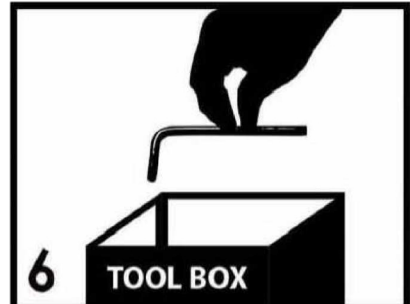
Use cardboard or carpet area when assembling furniture to prevent scratches. Make sure the furniture rests on a flat and level surface with each leg evenly touching the floor.



Some furniture comes with height adjustment knobs underneath each leg. To lower or to raise each leg, you need to turn clockwise or counterclockwise, respectively.



Make sure all parts are properly aligned, then use the appropriate hand tool to completely tighten the bolts or screws. Do not use power tools and do not overtighten.

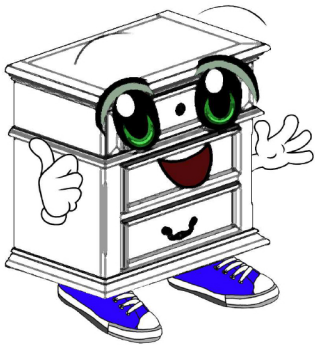


Save the instructions and store the Allen wrench or any supplied tool for later maintenance. After two weeks, check and tighten any loose hardware and repeat again every six months thereafter.

IT IS THE USER'S RESPONSIBILITY TO MAINTAIN THE FURNITURE. THE HARDWARE MAY LOOSEN OVER TIME AND MAY CAUSE THE FURNITURE TO BE WOBBLY AND UNABLE TO SUPPORT ITS INTENDED WEIGHT CAPACITY. THIS MAY LEAD TO COLLAPSE AND MAY CAUSE SERIOUS INJURY.



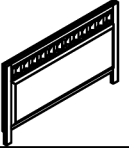


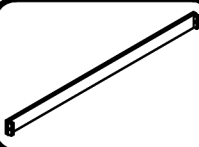
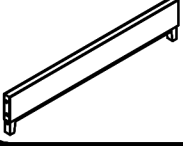

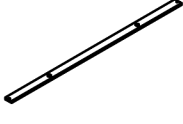
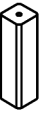
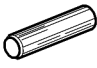
FAILURE TO FOLLOW THE GUIDELINES ABOVE MAY RESULT IN INJURY AND/OR PROPERTY DAMAGE.







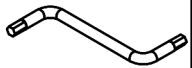




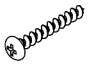
Before you begin, please read Page 2 of "Assembly and Care Advice".

And remember, do not tighten until each step is completed or instructed.

Parts List

-  #1 x 1 pc
Headboard w-Fabric
-  #2R x 1 pc
Right H/Board Leg
-  #2L x 1 pc
Left H/Board Leg
-  #3 x 1 pc
Leg Support
-  #4 x 1 pc
Footboard
-  #5 x 2 pcs
Side Rail
-  #6 x 4 pcs
Slat
-  #7 x 8 pcs
Slat Support Leg 40x40x148mm
-  #K x 4 pcs
Dowel

Hardware List

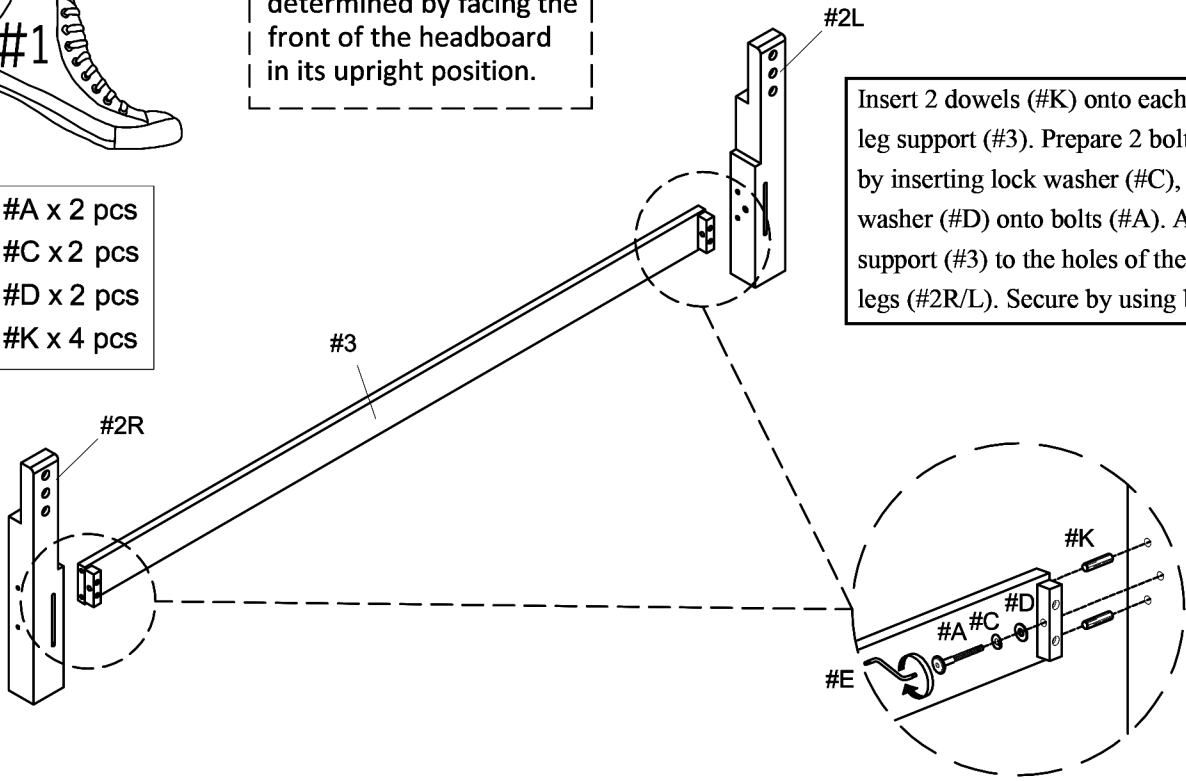
-  #A x 2 pcs
Bolt 1/4" x 1.5"
-  #B x 6 pcs
Bolt 1/4" x 2"
-  #C x 8 pcs
Lock Washer
-  #D x 8 pcs
Flat Washer
-  #E x 1 pc
Allen Wrench
-  #F x 8 pcs
Threaded Stud
-  #G x 8 pcs
Hex Nut
-  #H x 8 pcs
Beveled Washer
-  #I x 1 pc
Wrench
-  #J x 8 pcs
Screw 1-1/4"



Note : Left and right is determined by facing the front of the headboard in its upright position.

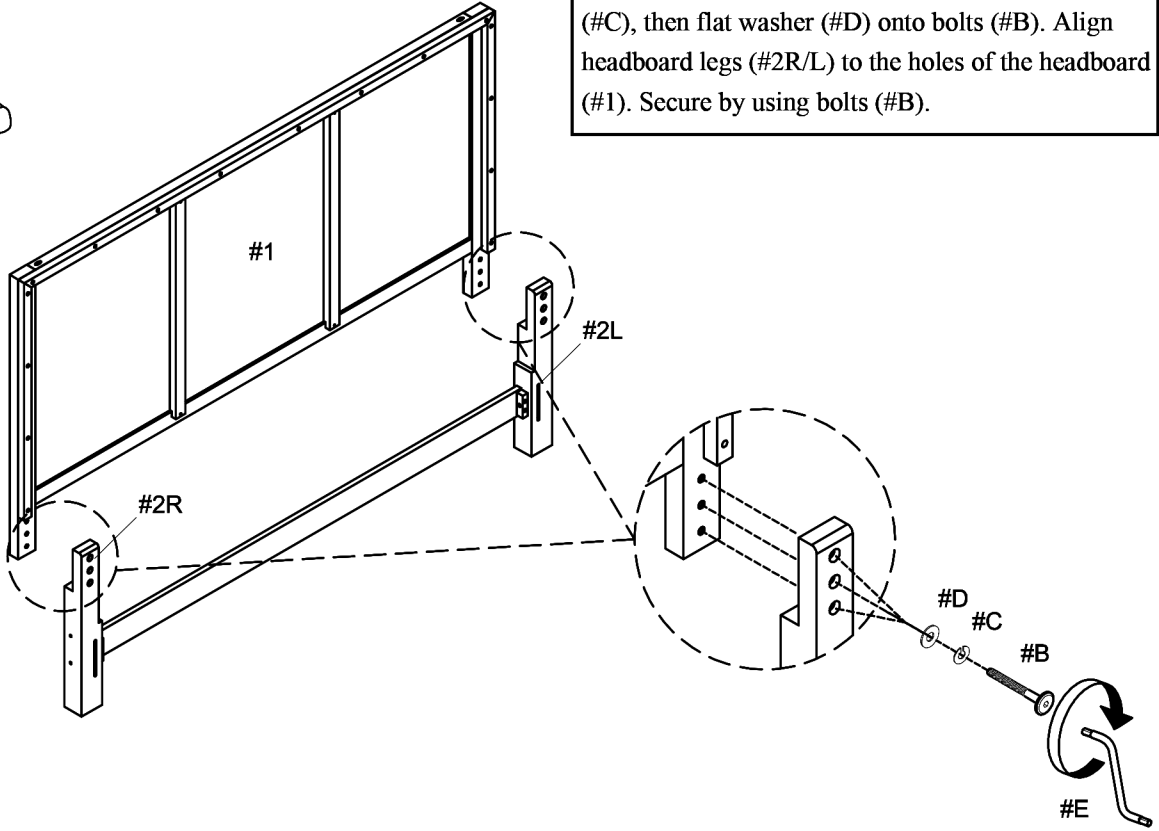
- #A x 2 pcs
- #C x 2 pcs
- #D x 2 pcs
- #K x 4 pcs

Insert 2 dowels (#K) onto each side of the leg support (#3). Prepare 2 bolts assembly by inserting lock washer (#C), then flat washer (#D) onto bolts (#A). Align leg support (#3) to the holes of the headboard legs (#2R/L). Secure by using bolts (#A).



Prepare 6 bolts assembly by inserting lock washer (#C), then flat washer (#D) onto bolts (#B). Align headboard legs (#2R/L) to the holes of the headboard (#1). Secure by using bolts (#B).

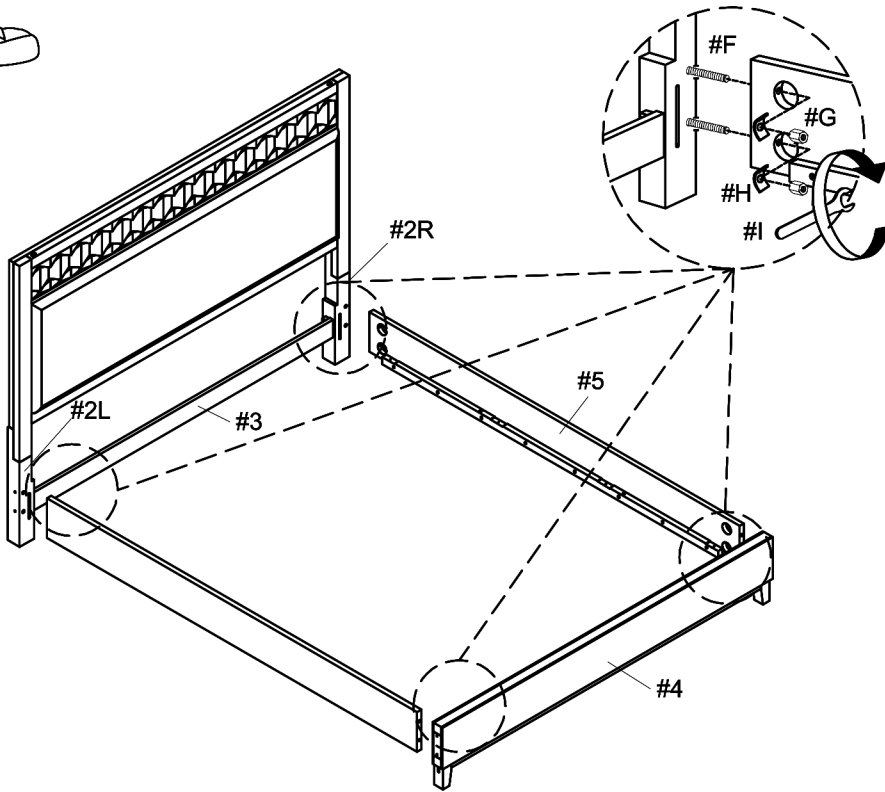
- #B x 6 pcs
- #C x 6 pcs
- #D x 6 pcs



Attach threaded bolts (#F) to the headboard legs (#2R/L) and footboard (#4). Align side rails (#5) to the threaded bolts, then secure by inserting crest washer (#H) and barrel nuts (#G) to the threaded bolts.



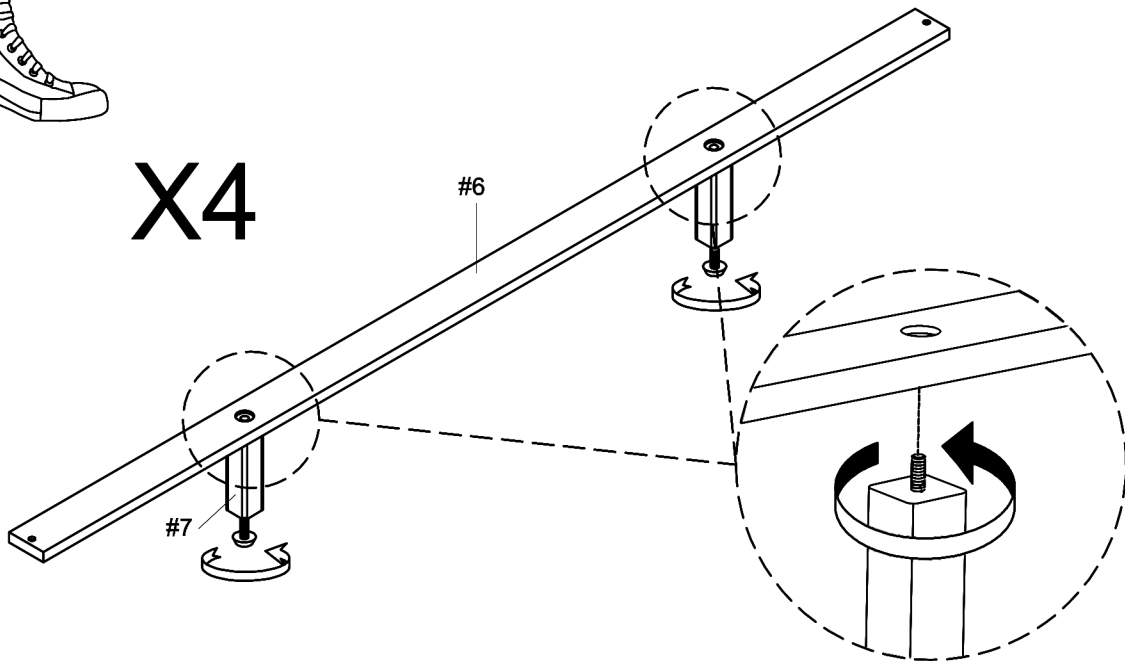
#F x 8 pcs
#G x 8 pcs
#H x 8 pcs



Attach support legs (#7) to all slats (#6). Adjust leveler or support leg (#7) according to ground level.



X4

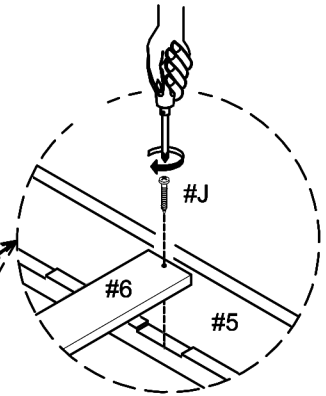
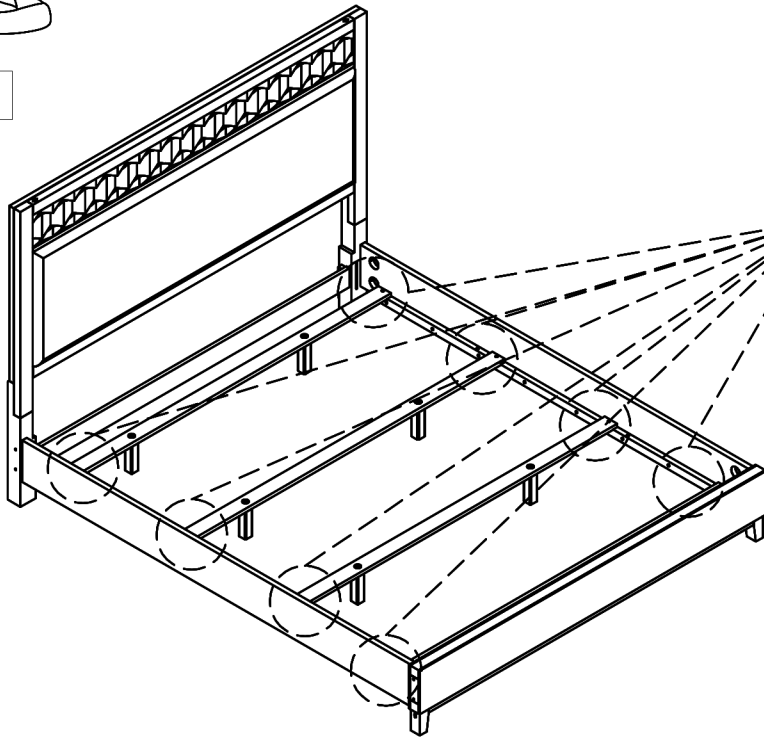




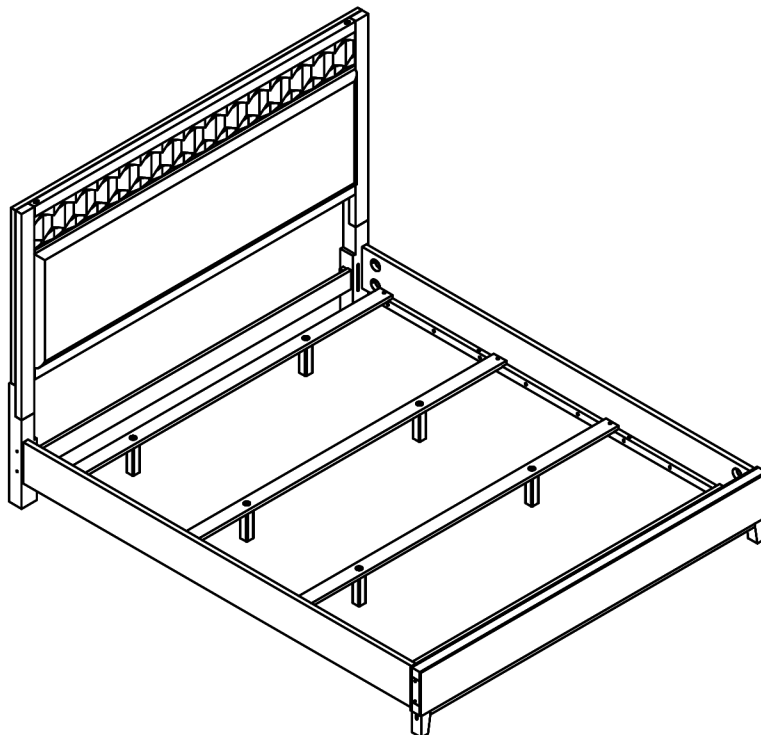
#5

Align slats (#6) to the side rails, then secure by using screws (#J).

#J x 8 pcs



#6



ASSEMBLY IS COMPLETED