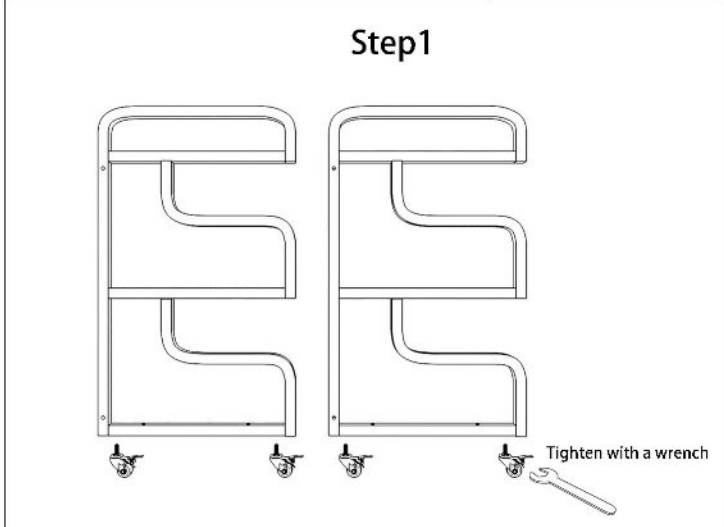
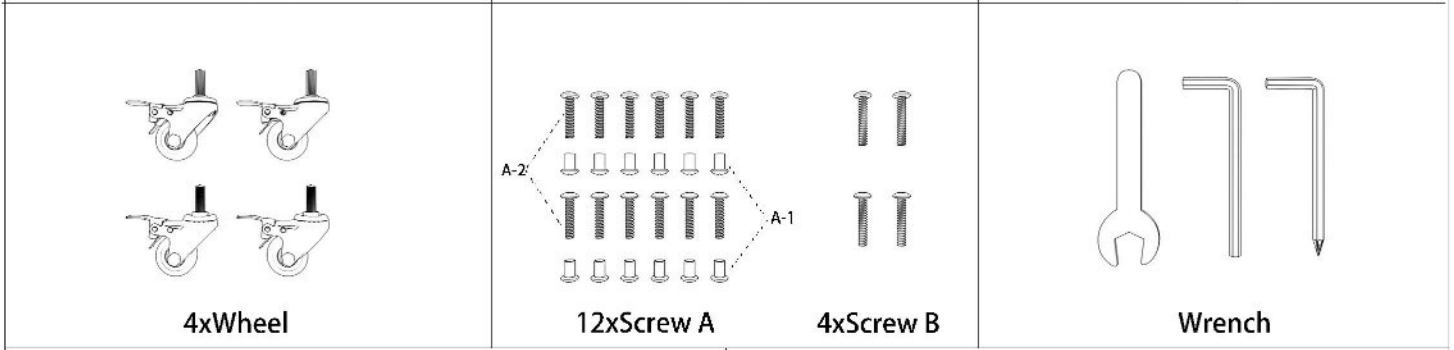
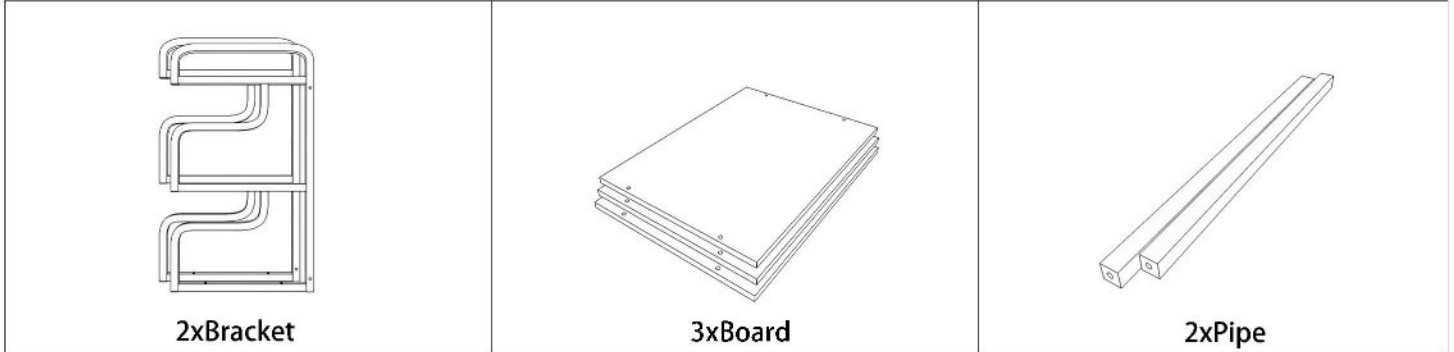
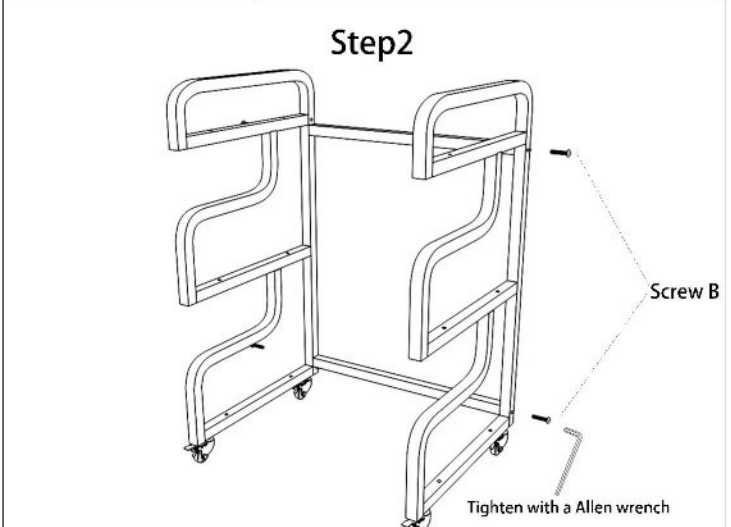


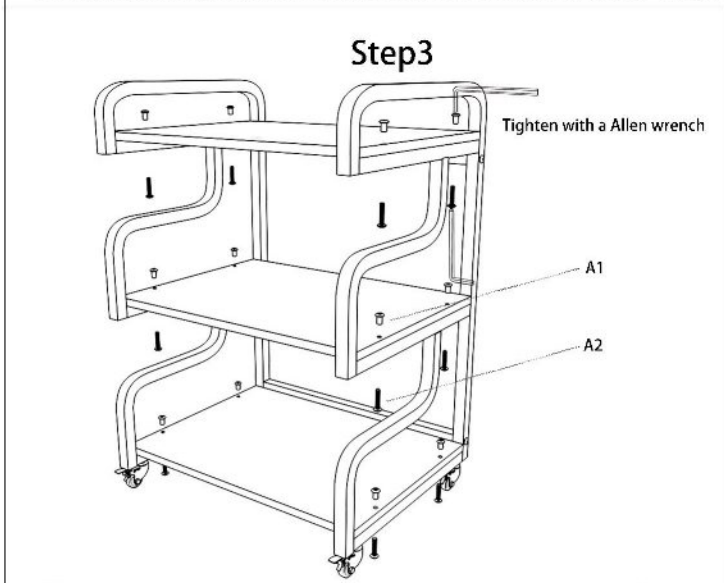
# 3-Tier Printer Stand Installation Manual



Before installing the wheel, keep the wheel in a locked state, then align the wheel with the hole and screw it up.



Use type B screws to connect two connecting rods



Use type A screws to connect the three plates to the iron pipe



Raise the handle of the wheel, keep it unlocked, and move it anywhere