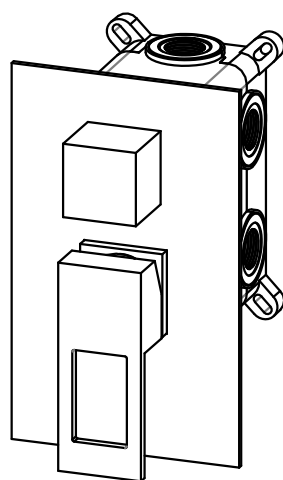
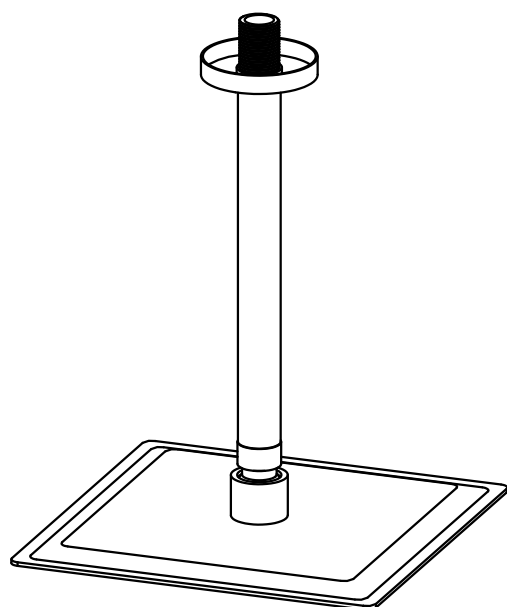


**INSTALLATION GUIDE**



**CEILING SHOWER SYSTEM**

| MODEL      | FINISH         |
|------------|----------------|
| S3220CI-8  | CHROME         |
| S3220NI-8  | BRUSHED NICKEL |
| S3220DI-8  | MATTE BLACK    |
| S3220BGI-8 | BRUSHED GOLD   |

**HOT LINE: +1-866-203-0866**

## THANK YOU

Dear Valued Customer,

Thank you for choosing SUMERAIN products. We would like to take this opportunity to express our sincere gratitude for your recent purchase. We hope you are completely satisfied with your new product. Rest assured, we meticulously engineer all SUMERAIN products and put them through rigorous factory tests to ensure their prolonged, trouble-free use under normal conditions.

Installing this product is as simple as it gets. All you need are some basic tools and our handy step-by-step illustrated guide. We wholeheartedly welcome any questions or feedback you may have. We eagerly anticipate the opportunity to assist you in the future. If you have any inquiries regarding this product, please do not hesitate to contact us at +1-866-203-0866 or email us at [support@sumerain.com](mailto:supports@sumerain.com).

Once again, we extend our gratitude for selecting SUMERAIN products. We remain committed to providing exceptional customer service.

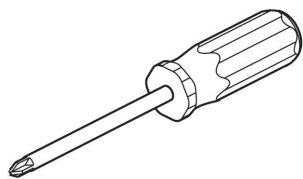
Sincerely,

SUMERAIN Customer Service Department

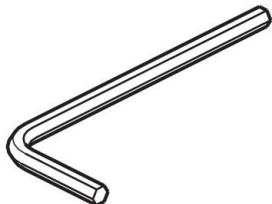
## BEFORE PROCEEDING

1. Unpack your new product and verify that all components are present in the package. Until you're ready to install, it's best to keep the product in its original box.
2. Identify the water supply inlets and turn off the water supply valves. You'll typically find these valves near the water meter. If you're replacing an existing unit, make sure to remove the old one and clean the mounting surface thoroughly.
3. Adhere to all plumbing and building codes applicable in your area.
4. If you're not confident about installing the product yourself, we strongly recommend seeking help from a professional.

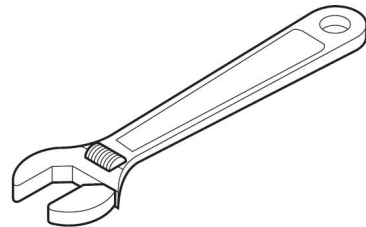
## TOOLS RECOMMENDED



Philips screwdriver



Allen wrench



Adjustable wrench



Channel locks



Thread Sealant

## LIMITED LIFETIME CONSUMER WARRANTY

VERSION: 140320.15.3

This product has been manufactured and tested to the highest quality standards by SUMERAIN sanitary Inc("SUMERAIN").This warranty is limited to SUMERAIN products which are purchased by a consumer in the China after Jan 1,2010 and installed in China or the state which has SUMERAIN technical support department locally.(visit <http://www.sumerain.com/en/supportcenter.asp> for review the state list of SUMERAIN technical support department).If the faucet should leak or drip during normal use,SUMERAIN will, free of charge, mail to the purchaser the cartridge necessary to put the faucet in good working condition. If a defect is found in normal residential use, SUMERAIN will, at its election, repair, provide a replacement part or product, or make appropriate adjustment.

### WHO IS COVERED BY THE WARRANTY

This warranty extends to the original consumer purchaser only (exclusive online retail original customer, online retail original customer cover by the "Online CONSUMER Limited Lifetime WARRANTY & Return policy"), This warranty is not-transferable.

### WHAT IS COVERED BY THE WARRANTY

This warranty covers only your SUMERAIN manufactured product. SUMERAIN warrants this product against defects in material or workmanship as follows: SUMERAIN will repair at no charge for parts only or, at its option, replace any product or part of the product that proves defective because of improper workmanship and/or material, under normal installation, use, service and maintenance. If SUMERAIN unable to provide replacement, SUMERAIN may elect to provide similar model upon close value.

### FINISH WARRANTY

It is the responsibility of the customer to check for any material finish defects before installation. SUMERAIN doesn't warranty these finishes after the fixture has been installed.

### ELECTRONIC FAUCETS WARRANTY

SUMERAIN warrants that its electronic faucets, valves and controls to be free from manufacturing defects in material and workmanship under normal use for three(3) years from the date of purchase and waterflow impeller-dynamo (generate power for LED faucet) for six(6) months from the date of purchase.

### LENGTH OF WARRANTY

Replacement or repaired parts of products will be covered for the term of this warranty as stated in the following two sentences, if you are a consumer who purchased the product for use primarily for personal,family,or household purposes, this warranty extends for 5 years since the product originally installed (Extend max 1 month From the date of purchase).if you purchased the product for use primarily for any other purpose,including,without limitation, a commercial purpose or is installed outside of China, or if the finish is gold, non-Vibrant or a painted or powder coated color finish this warranty extends only for one year, with respect to SUMERAIN and commercial products.

### THIS WARRANTY DOES NOT COVER, AND SUMERAIN WILL NOT PAY FOR:

- A. Conditions, malfunctions or damage not resulting from defects in material or workmanship.
- B. Conditions, malfunctions or damage resulting from normal wear and tear, improper installation, improper maintenance, misuse, abuse,negligence,accident or alteration or the use of abrasive or caustic cleaning agents or "no-rinse" cleaning products, or the use of the product in any manner contrary to the product instructions. Conditions in the home such as excessive water pressure or corrosion.
- C. Labor or other expenses for the disconnection, deinstallation, or return of the product for warranty service, or for installation or reinstallation of the product.
- D. Accessories, connected materials and products (including but not limited in handshower flexible hose, spray flexible hose, handshower), or related products not manufactured by SUMERAIN

### TO OBTAIN WARRANTY PARTS OR INFORMATION

Contact your SUMERAIN retailer or contact technical service at: [supports@sumerain.com](mailto:supports@sumerain.com)

In requesting warranty service, you will need to provide

1. The sales receipt or other evidence of the date and the place of purchase.
2. A description of the problem (Download URL: <http://www.sumerain.com/download/servicerequest/sheet.pdf> and fill out the Service Request Sheet).
3. Delivery of the product or the defective part, postage prepaid and carefully packed and insured to :  
SUMERAIN FACTORY SUPPORT CENTER ,25 Building,Tangkou industrial park,Shuikou Town,Jiangmen Kaiping city,  
Guangdong provice,China 529301

When warranty service is completed, any repaired or replacement product or part will be returned to you postage prepaid.

### EXCLUSIONS AND LIMITATIONS

Repair or replacement (or, in limited circumstances, refund of the purchase price) as provided under this warranty is the exclusive remedy of the purchaser. SUMERAIN neither assumes nor authorizes any person to create for it any obligation or liability in connection with this product.SUMERAIN shall not be liable to purchaser or any person for any incidental, special, or consequential damages, arising out of breach of this warranty or any implied warranty (including merchantability) Some states do not allow the exclusion or limitation of incidental or consequential damages, so the above limitation or exclusion may not apply to you. This warranty gives you specific legal right, and you may have other rights which vary from state to state. You may be required by law to give us a reasonable opportunity to correct or cure any failure to comply before you can bring any action in court against us under the Magnusson-moss warranty Act.

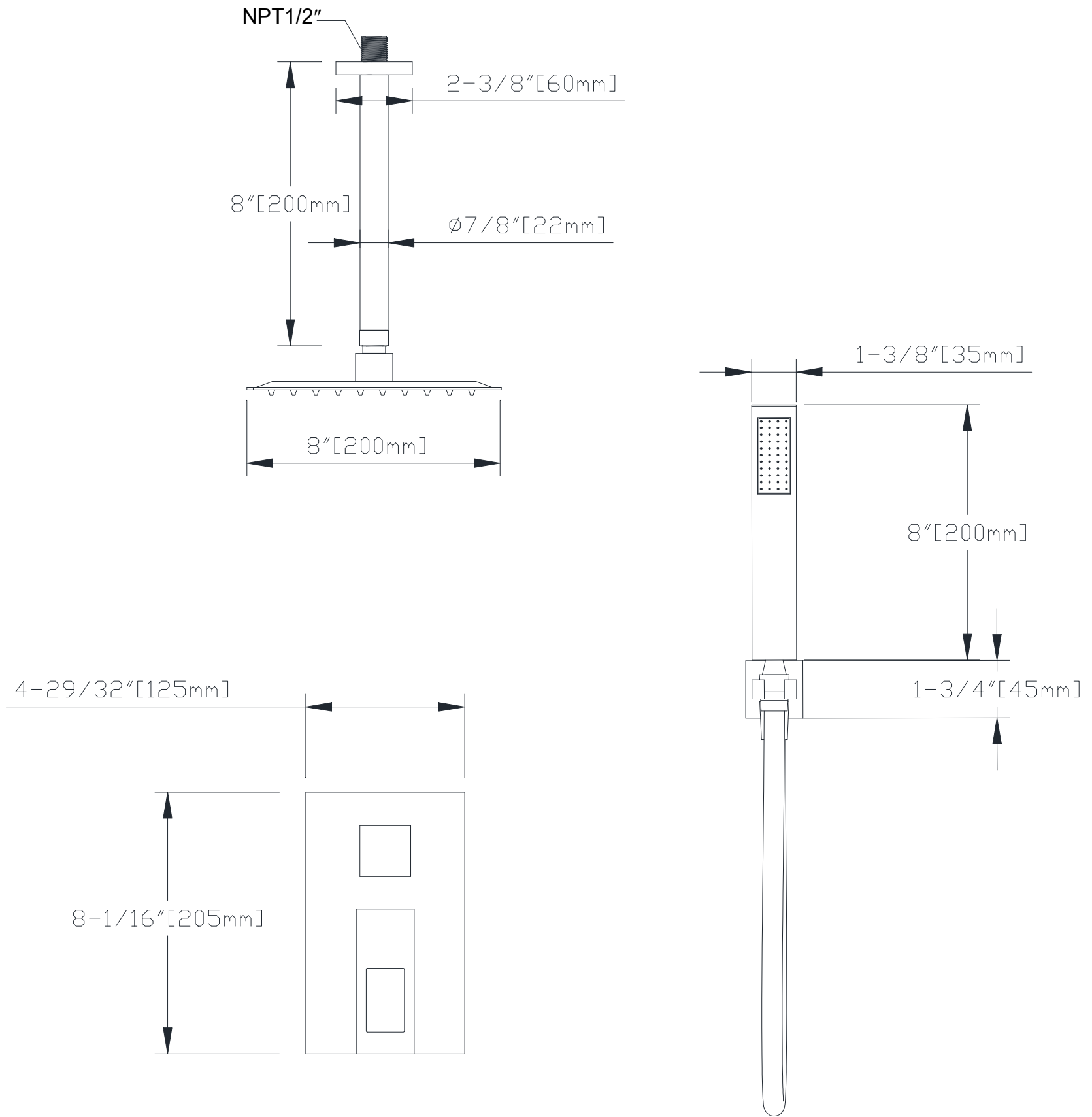
### PRODUCT INSTRUCTIONS AND QUESTIONS

Upon purchase or prior to installation, please carefully inspect your SUMERAIN product for any damage or visible defect. Prior to installing, always carefully study the enclosed instructions on the proper installation and the care and maintenance of the product. if you have questions at any time about the use,installation,or performance of your SUMERAIN product, or this warranty, please call or email us at +86-750-2731579, [supports@sumerain.com](mailto:supports@sumerain.com)

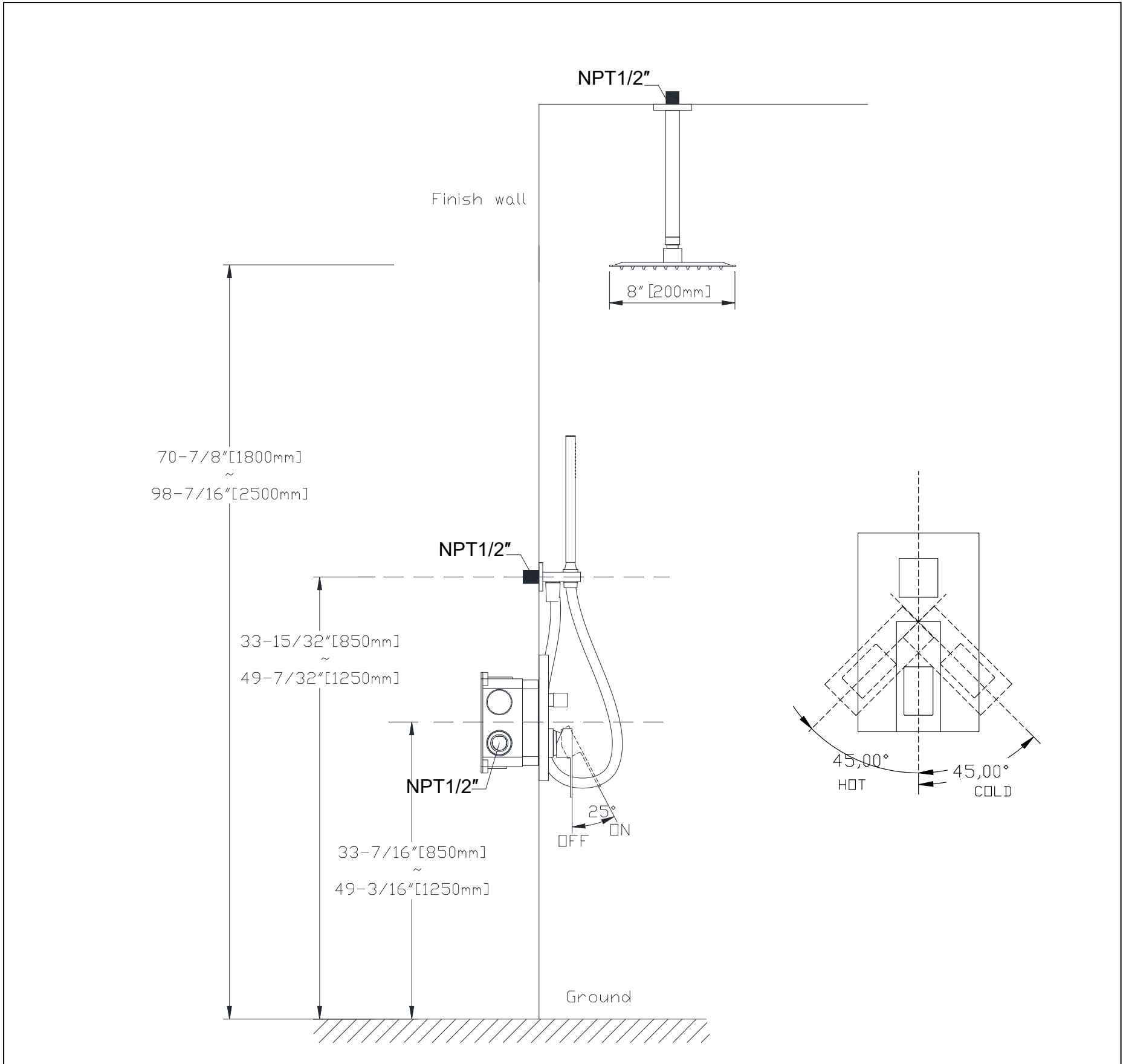
## FUNCTIONS AND SPECIFICATION

|                                    |  |
|------------------------------------|--|
| <b>Faucet type</b>                 | Shower System                                  |
| <b>Feature</b>                     | Ceiling shower faucet                          |
| <b>Theme</b>                       | Modern, Contemporary                           |
| <b>Mounting type</b>               | Wall mount                                     |
| <b>Number of Handles</b>           | One  |
| <b>Handles Material</b>            | Metal  |
| <b>Handle style</b>                | Lever  |
| <b>Shower Arm Reach</b>            | 8"(200mm)                                      |
| <b>Showerhead Width</b>            | 8"(200mm)                                      |
| <b>Showerhead Length</b>           | 8"(200mm)                                      |
| <b>Valve Type</b>                  | Φ 40 Ceramic Cartridge                         |
| <b>Faucet Body Material</b>        | Brass  |
| <b>Escutcheon Material</b>         | Brass  |
| <b>Diverter included</b>           | Yes  |
| <b>Diverter location</b>           | Rough-in Valve                                 |
| <b>Showerhead Type</b>             | Rain shower                                    |
| <b>Showerhead shape</b>            | Ultra-thin Square                              |
| <b>Showerhead function</b>         | Single function                                |
| <b>Showerhead Material</b>         | Stainless steel                                |
| <b>Showerhead Flow rate</b>        | 6.81L/M [ 1.8 GPM ]                            |
| <b>Hand shower Flow rate</b>       | 6.81L/M [ 1.8 GPM ]                            |
| <b>Elbow Material</b>              | Brass  |
| <b>Hand shower holder Material</b> | Brass  |
| <b>Hand shower Material</b>        | Brass  |
| <b>Hand shower Height</b>          | 8"(200mm)                                      |
| <b>Hand shower width</b>           | 1-3/8"(35mm)                                   |
| <b>Net Weight</b>                  | 9,47lbs [4.3KG]                                |
| <b>Gross Weight</b>                | 10,6 lbs [4.8KG]                               |
| <b>Packing box [L x W x H]</b>     | 11-7/32"(285mm)x10-13/16"(275mm)x7-7/8"(200mm) |

**DEMENSION**



**FRONT VIEW OF SHOWER**



**SIDE VIEW OF SHOWER**

# INSTALLATION STEPS

## 1. BEFORE PROCEEDING



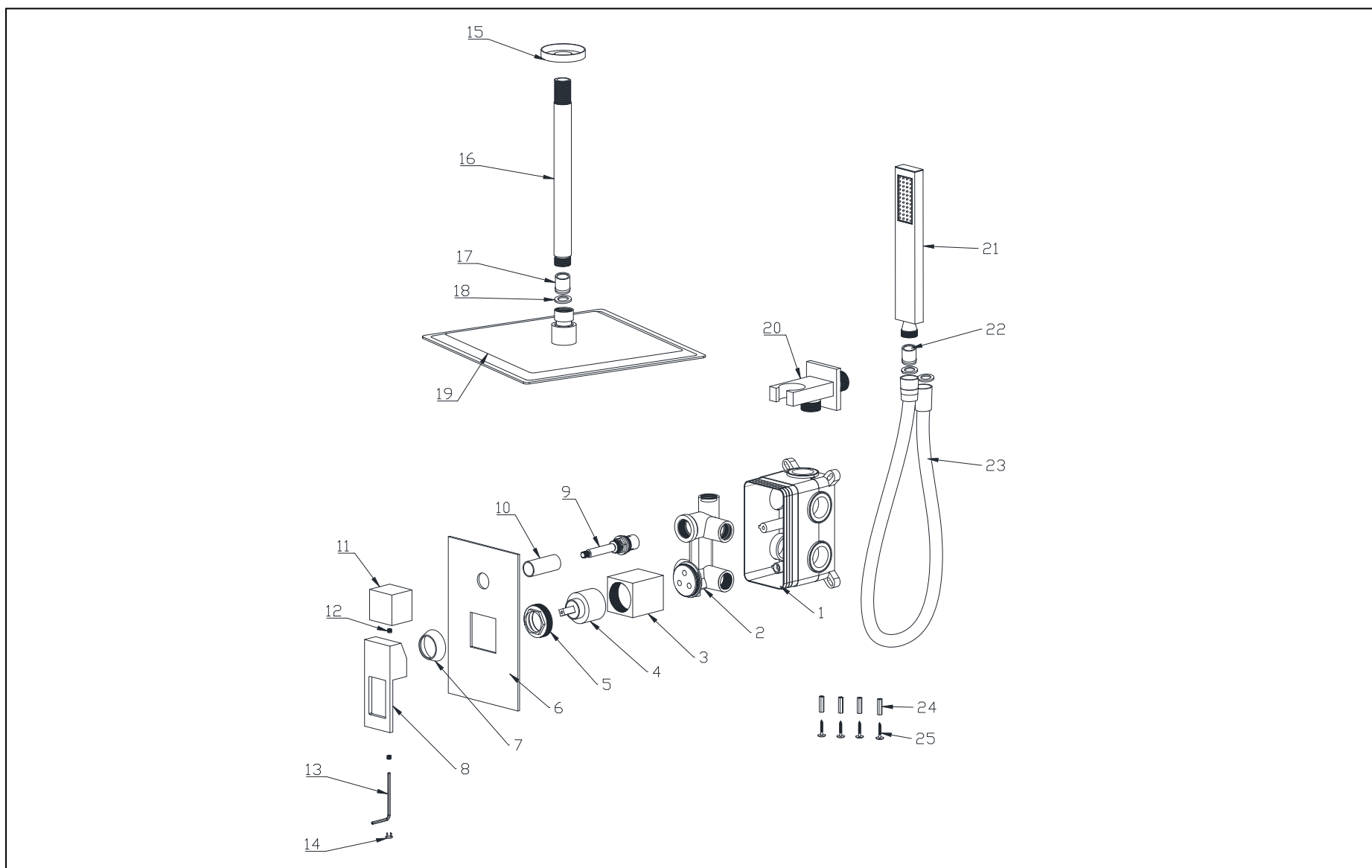
**WARNING:** Read all the instructions completely before proceeding. SUMERAIN recommends calling a professional if you are uncertain about installing this product!, this product should be installed in accordance with all local and state plumbing and building codes.

## 2. SHUT OFF WATER SUPPLY

Locate water supply inlets and shut off the water supply valves. These are usually found near the water meter. if you are replacing an existing unit, remove the old unit and clean the mounting surface thoroughly.

## 3. CHECKING THE CONTENTS OF THE BOX

Upon opening the box, check to ensure that all the following items are included.



| NO | ITEM NAME          | MATERIAL      | QTY | PART NO.   | NO | ITEM NAME         | MATERIAL      | QTY | PART NO.   |
|----|--------------------|---------------|-----|------------|----|-------------------|---------------|-----|------------|
| 1  | Pre-embedded box   | POM           | 1   | PSA00011XX | 14 | Screw cover       | ABS           | 1   | PSA00002XX |
| 2  | Rough-in valve     | HPB59-1       | 1   | PVB32180PB | 15 | Shower arm flange | Zn alloy No.3 | 1   | PFC00001XX |
| 3  | Sleeve             | HPB59-1       | 1   | PSL32180XX | 16 | Shower arm        | SUS304        | 1   | PPI32200XX |
| 4  | 40# Cartridge      | ASSEMBLE      | 1   | PCT40000XX | 17 | Flow restrictor   | ASSEMBLE      | 1   | PAE00044XX |
| 5  | Bonnet             | HPB59-1       | 1   | PSC42125PB | 18 | Rubber washer     | NBR           | 3   | PRW19020XX |
| 6  | Escutcheon         | SUS304        | 1   | PCP32180XX | 19 | Shower head       | ASSEMBLE      | 1   | PTR00001XX |
| 7  | Flange             | HPB59-1       | 1   | PFC42125XX | 20 | Shower Socket     | ASSEMBLE      | 1   | PHH32180XX |
| 8  | Handle(lever)      | Zn alloy No.3 | 1   | PHD32180XX | 21 | Handheld shower   | ASSEMBLE      | 1   | PHS00002XX |
| 9  | Diverter Cartridge | ASSEMBLE      | 1   | PCT00001XX | 22 | Flow restrictor   | ASSEMBLE      | 1   | PAE00043XX |
| 10 | Diverter Sleeve    | HPB59-1       | 1   | PSL32181XX | 23 | Shower hose       | ASSEMBLE      | 1   | PFH00015XX |
| 11 | Diverter knob      | Zn alloy No.3 | 1   | PHD31285XX | 24 | Anchor            | ABS           | 4   | PSA00010XX |
| 12 | Set screw          | SUS304        | 2   | PSC05050XX | 25 | Mounting screw    | SUS304        | 4   | PSC00002XX |
| 13 | Allen wrench 2.5mm | Fe45#         | 1   | PSA00003XX |    |                   |               |     |            |

If any of these items are missing, please contact SUMERAIN consumer service by email to: [supports@sumerain.com](mailto:supports@sumerain.com)

## 4. PLANNING AND INSTALLATION INSTRUCTIONS



**Attentions:** The shower has to be installed, rinsed and checked in compliance with the applicable regulations in order to guarantee proper shower function!

The dimensions of the shower set-up must be individually.

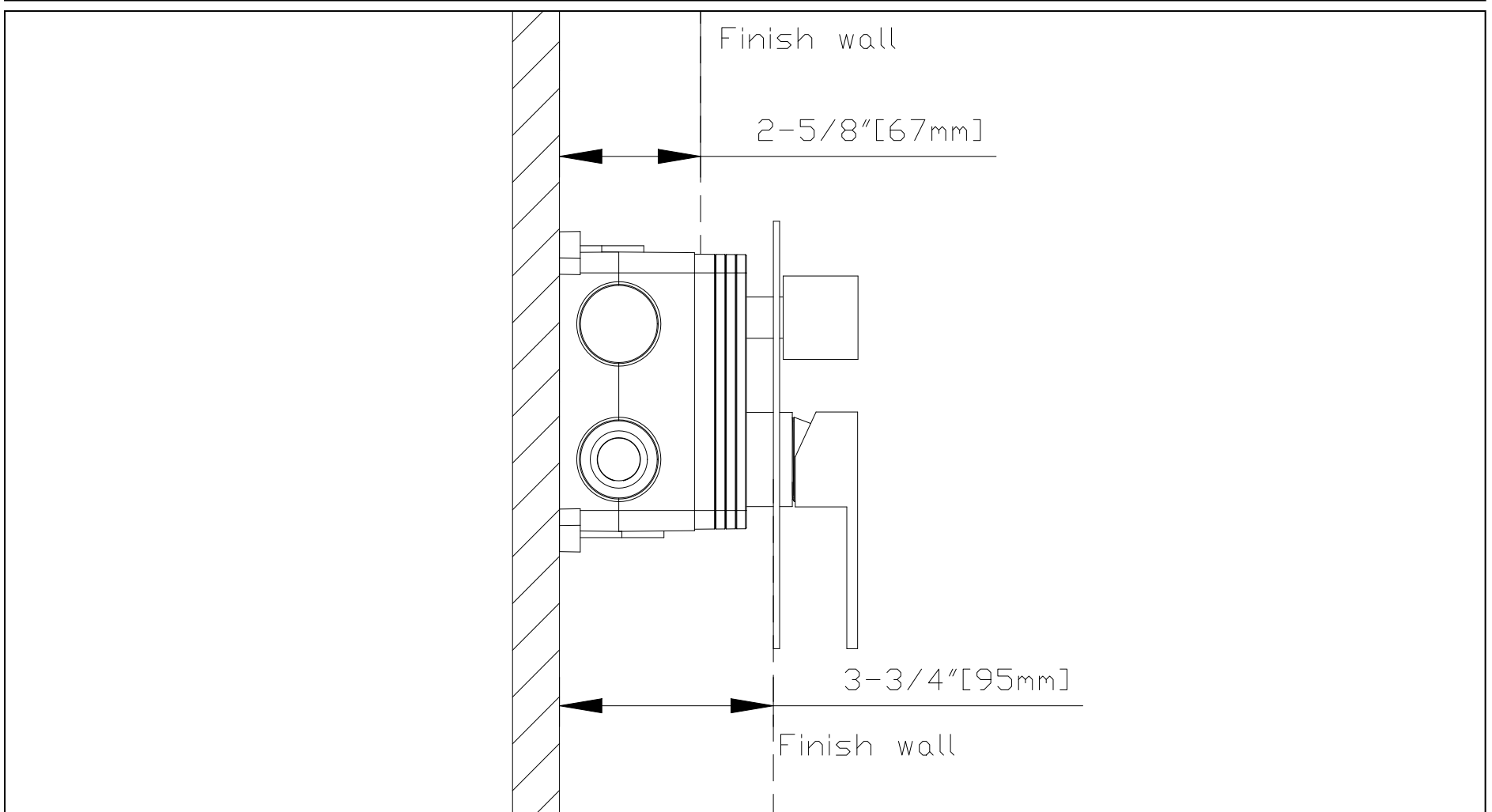
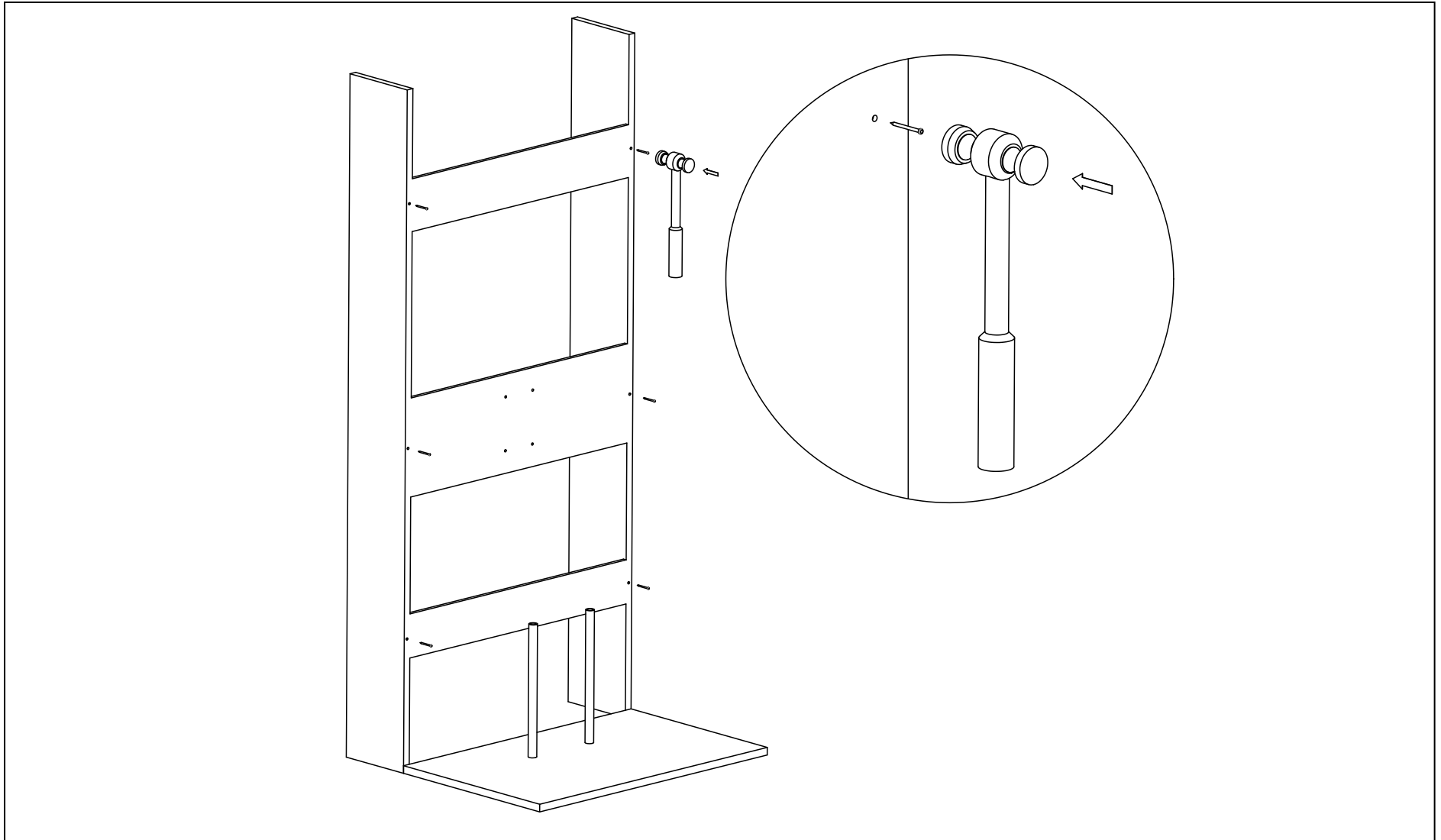
Operating pressure at the control valve:

Max. 1Mpa. Recommended operating pressure: 3 bar pressure.

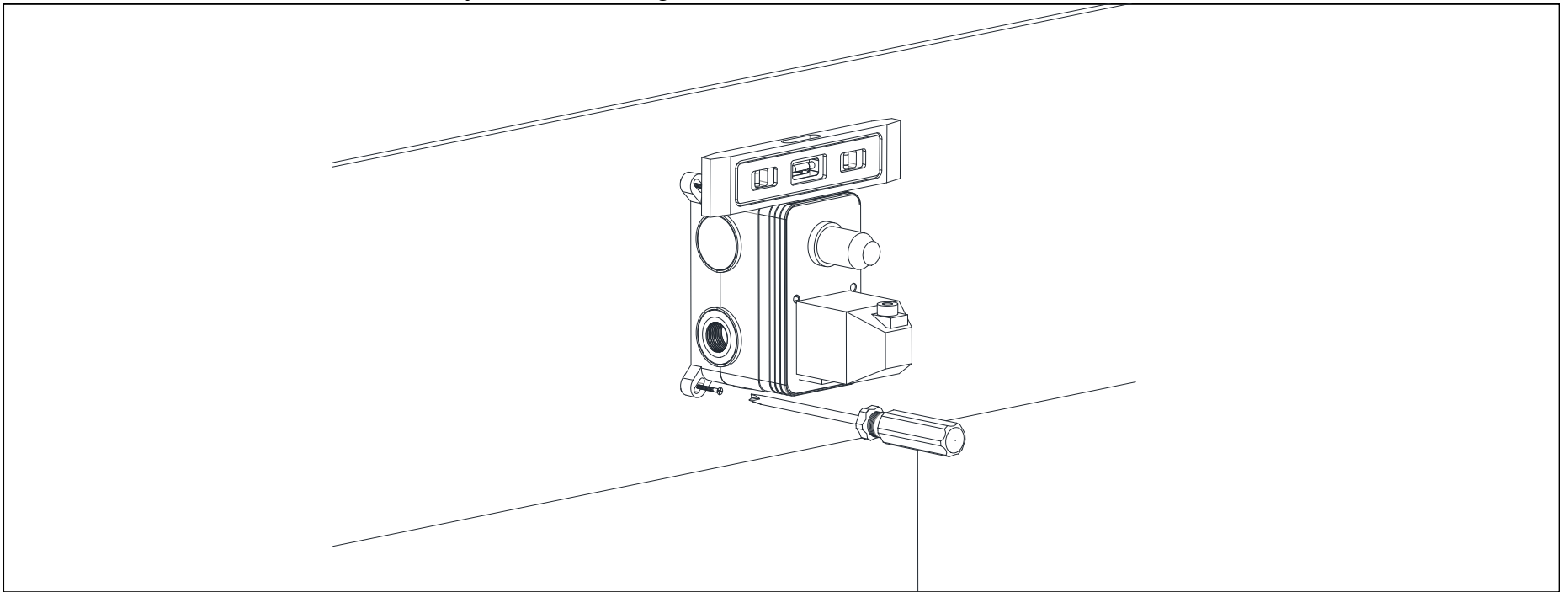
Hot water temperature: Max 60 degree centigrade (140 Fahrenheit).

## 5. CONCEALED BOX ASSEMBLY INSTALLATION

**5.1** Make a mounting rack (normally use woods as materials) for preparing install the concealed box assembly .the mounting board's face should be Min 55mm [2-5/32"] and Max 70mm [2-3/4"] behind the finish wall surface.

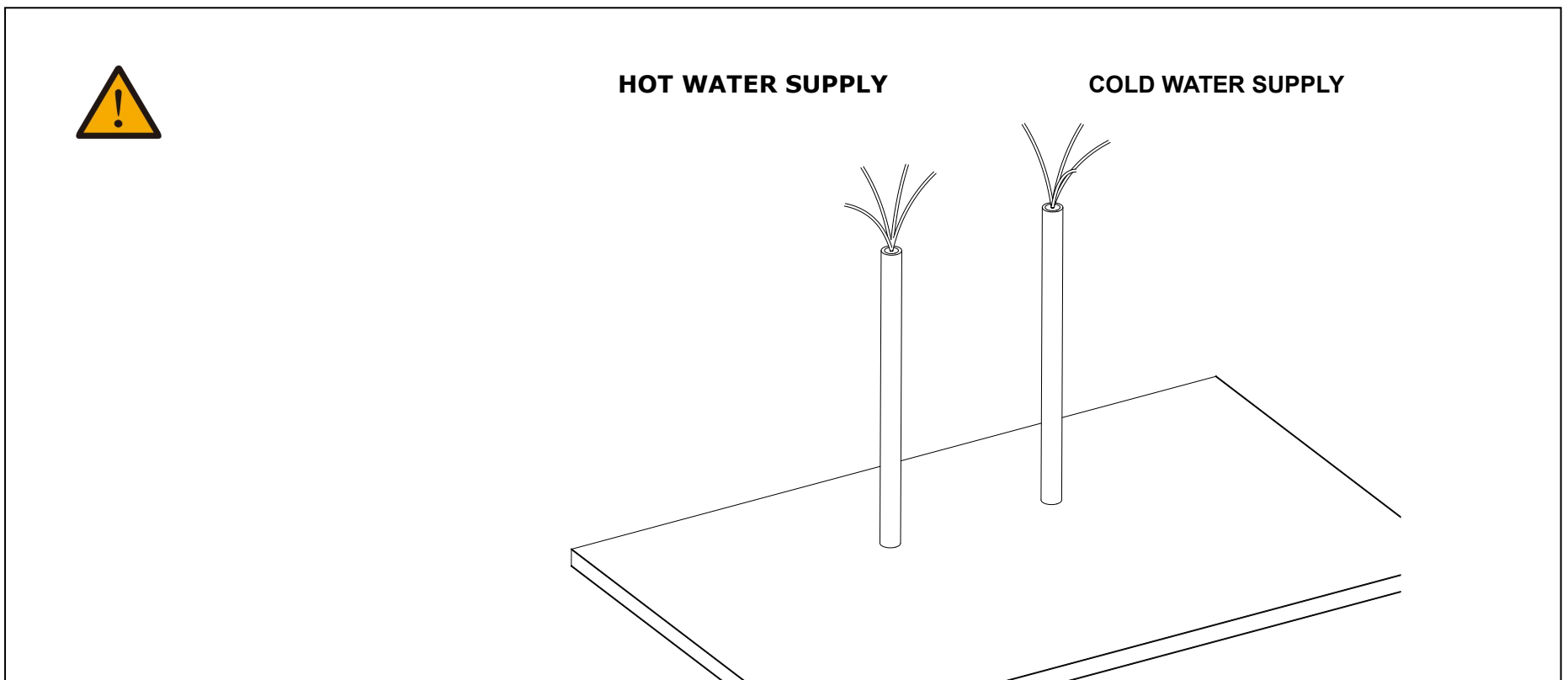


5.2 Secure the concealed box assembly to the mounting rack with screws and anchor.

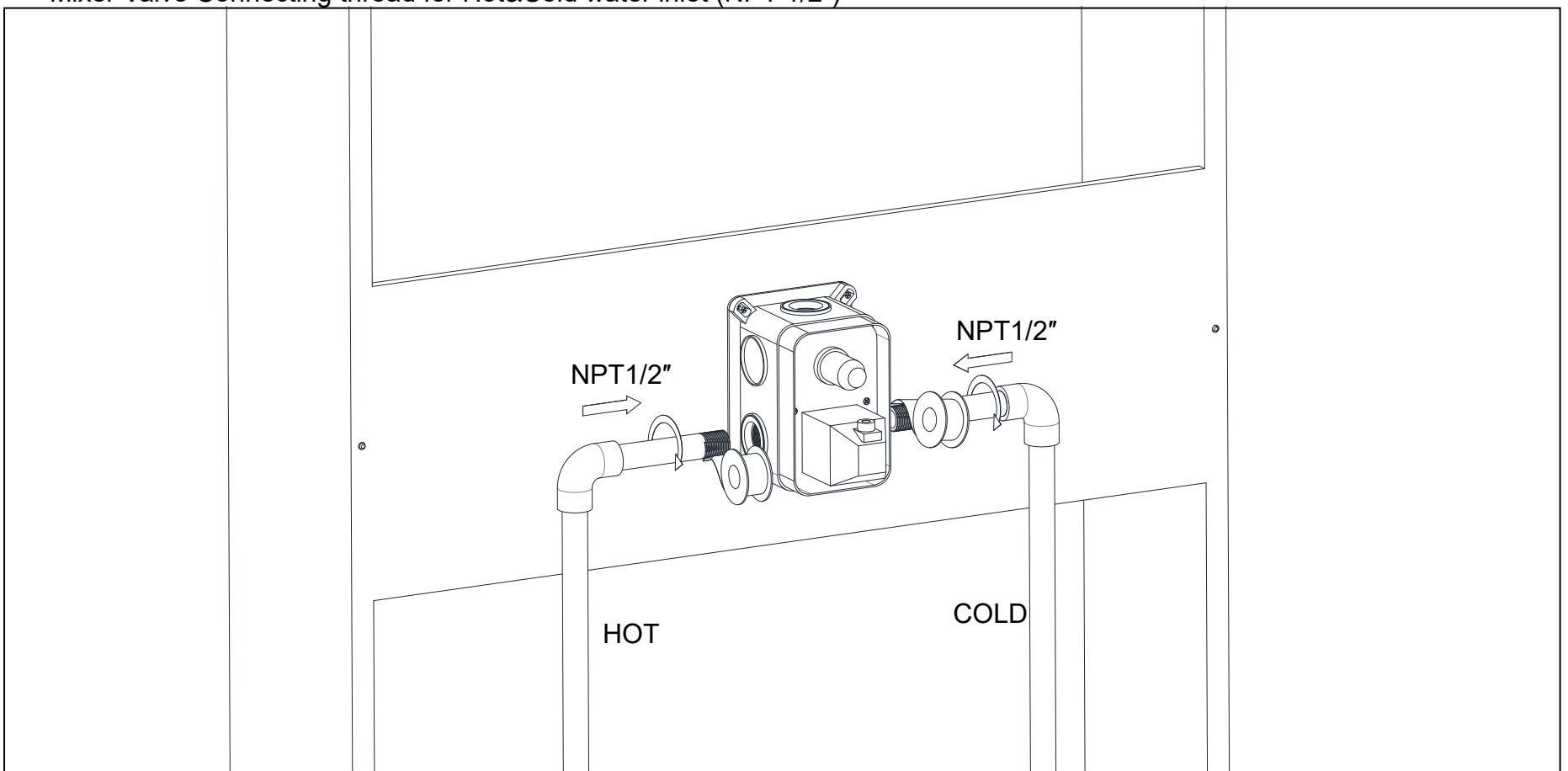


## 6. VALVE TRIM INSTALLATION

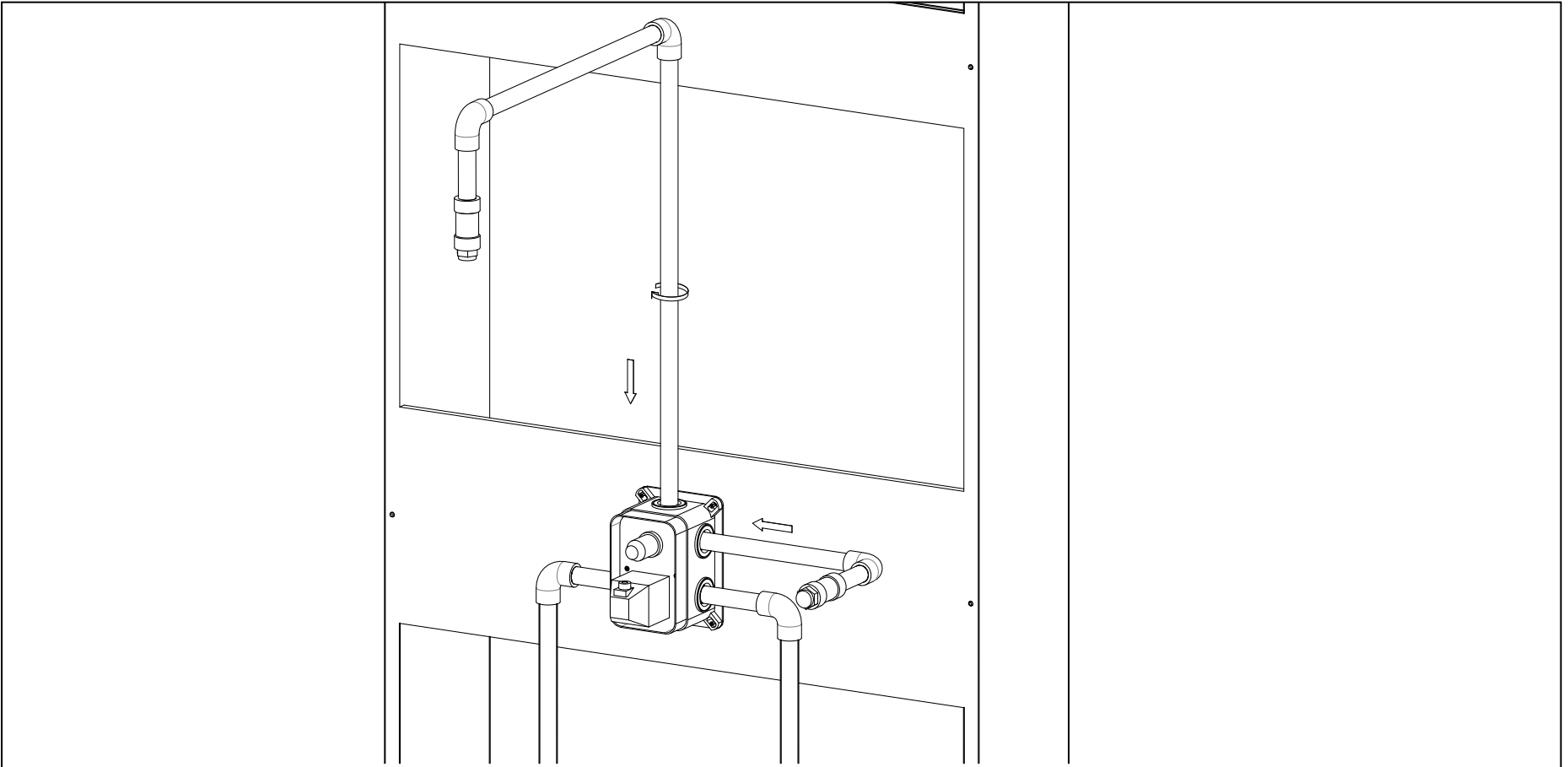
6.1 Turn on your shut-off valve for cleaning the hot and cold water supply pipe before connect to the valve body, allow the water flush 3~5 minutes to flush out dirt and debris. Shut off the water supply again after finish.



6.2 Apply Teflon tape on the thread of pipe inlet and then connect to valve inlet with elbow [hot left, cold right].  
Mixer Valve Connecting thread for Hot&Cold water inlet (NPT 1/2")



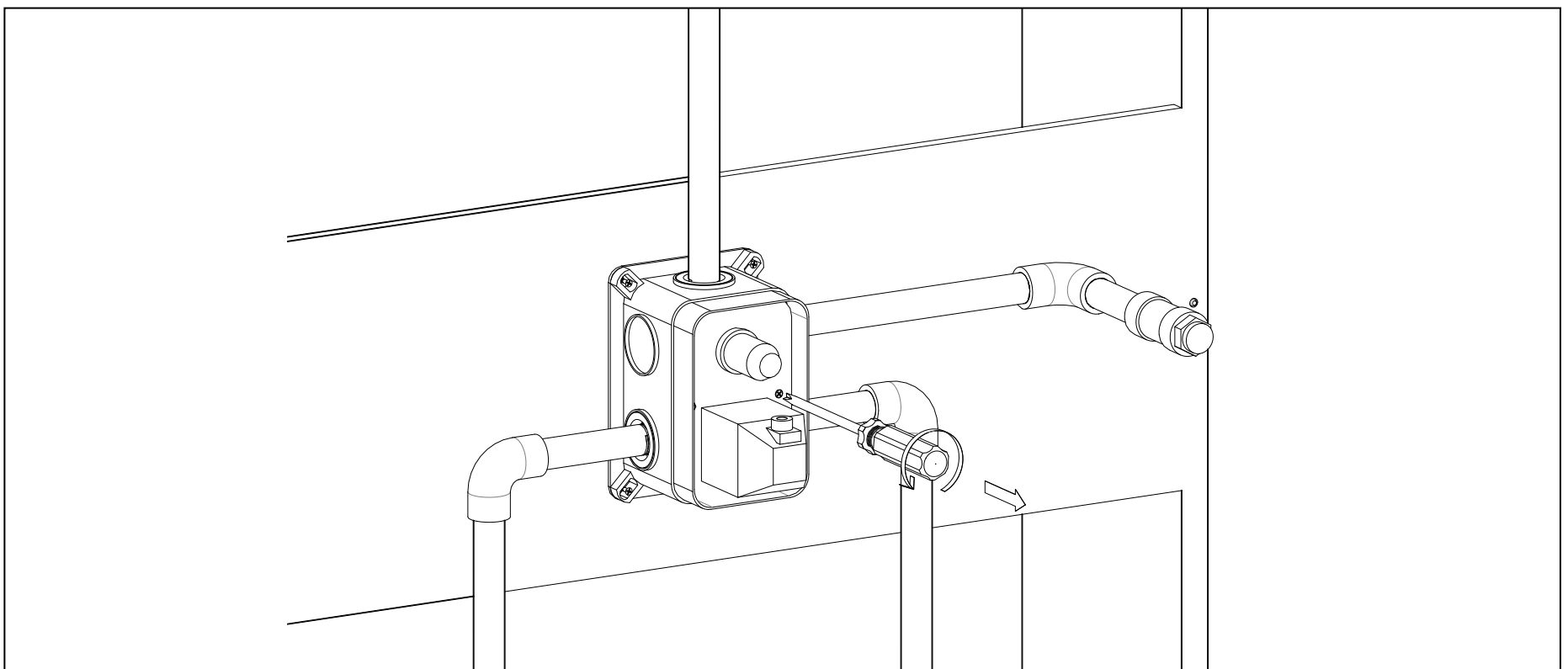
Connect to valve outlet with elbow:



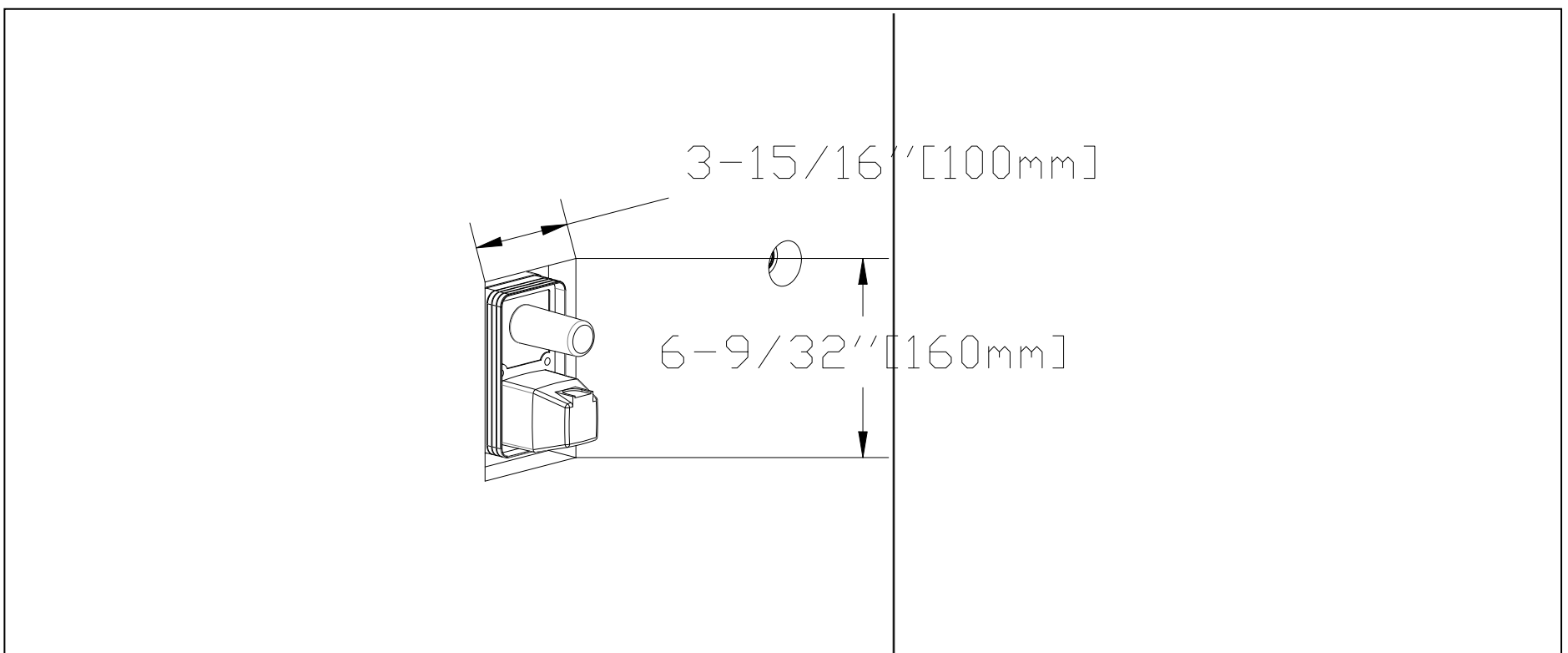
6.3 Remove the valve sleeve by Phillips screwdriver. Turn on hold and cold water supply and check all connection for leaks



Please shut off your hot and cold water supply again if no leaking.



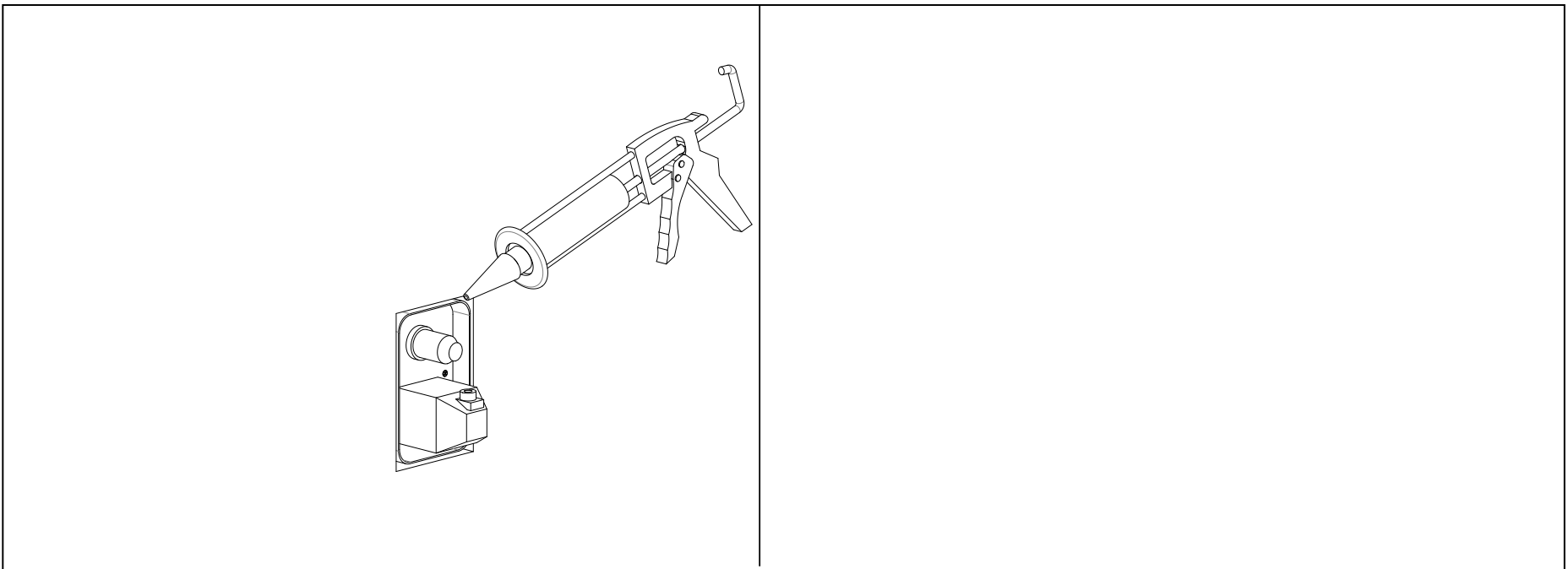
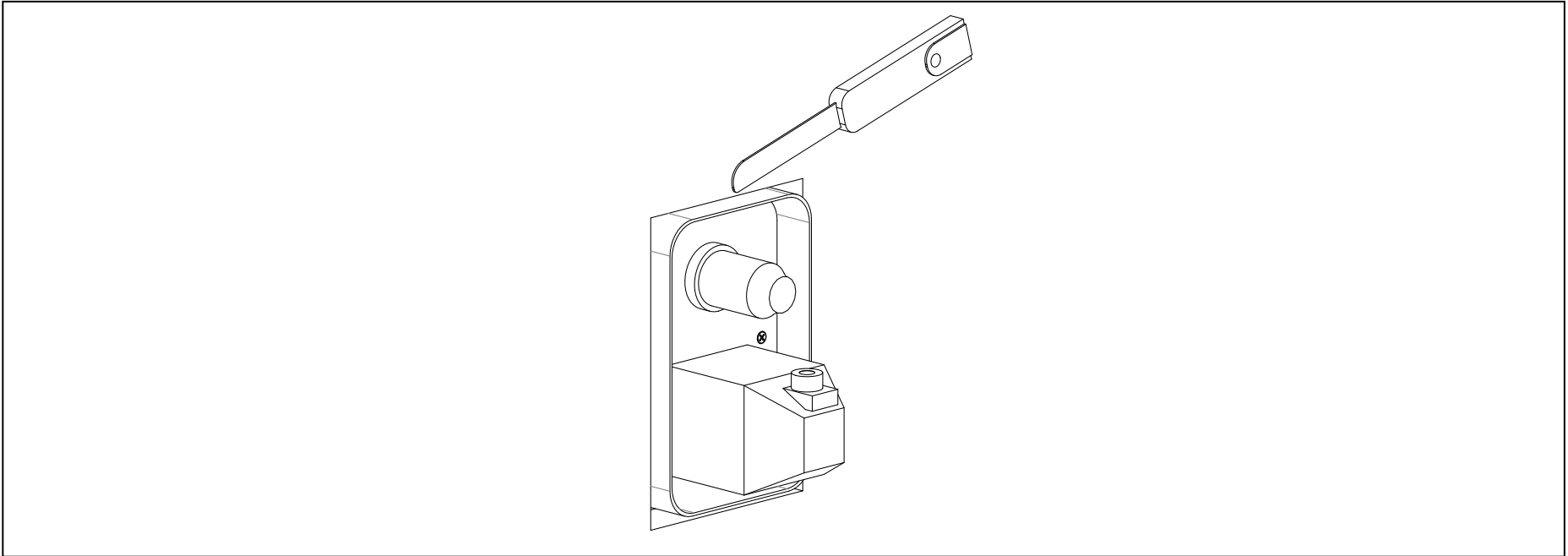
6.4 Done the finish wall and drill proper window for maintain if needs in the future.



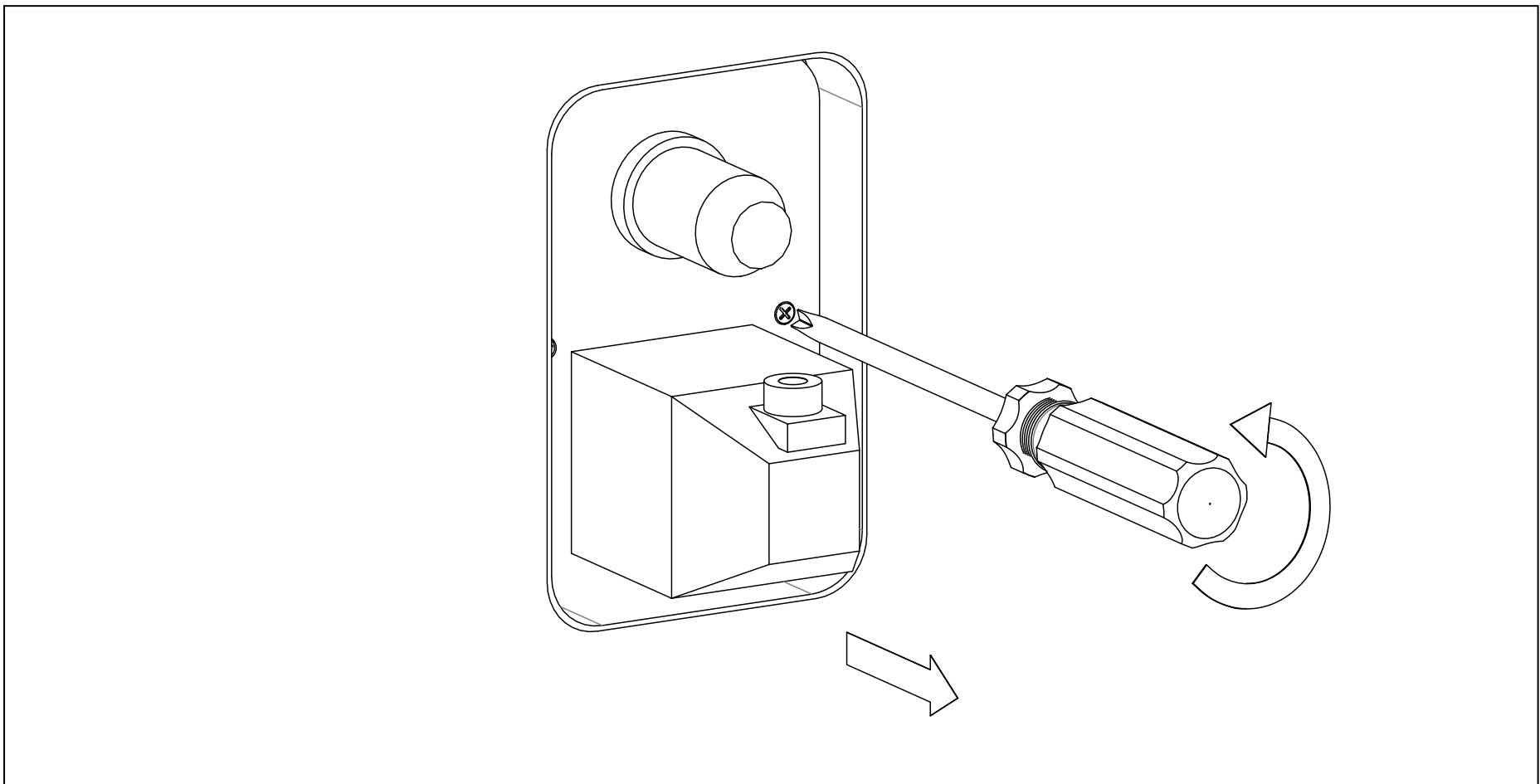
**6.5** Drill the mounting holes exactly according to mixer valve and elbow position, done the finish wall.  
Cut the plaster shield around the finish wall surface and seal the wall around the plaster shield with waterproof sealant



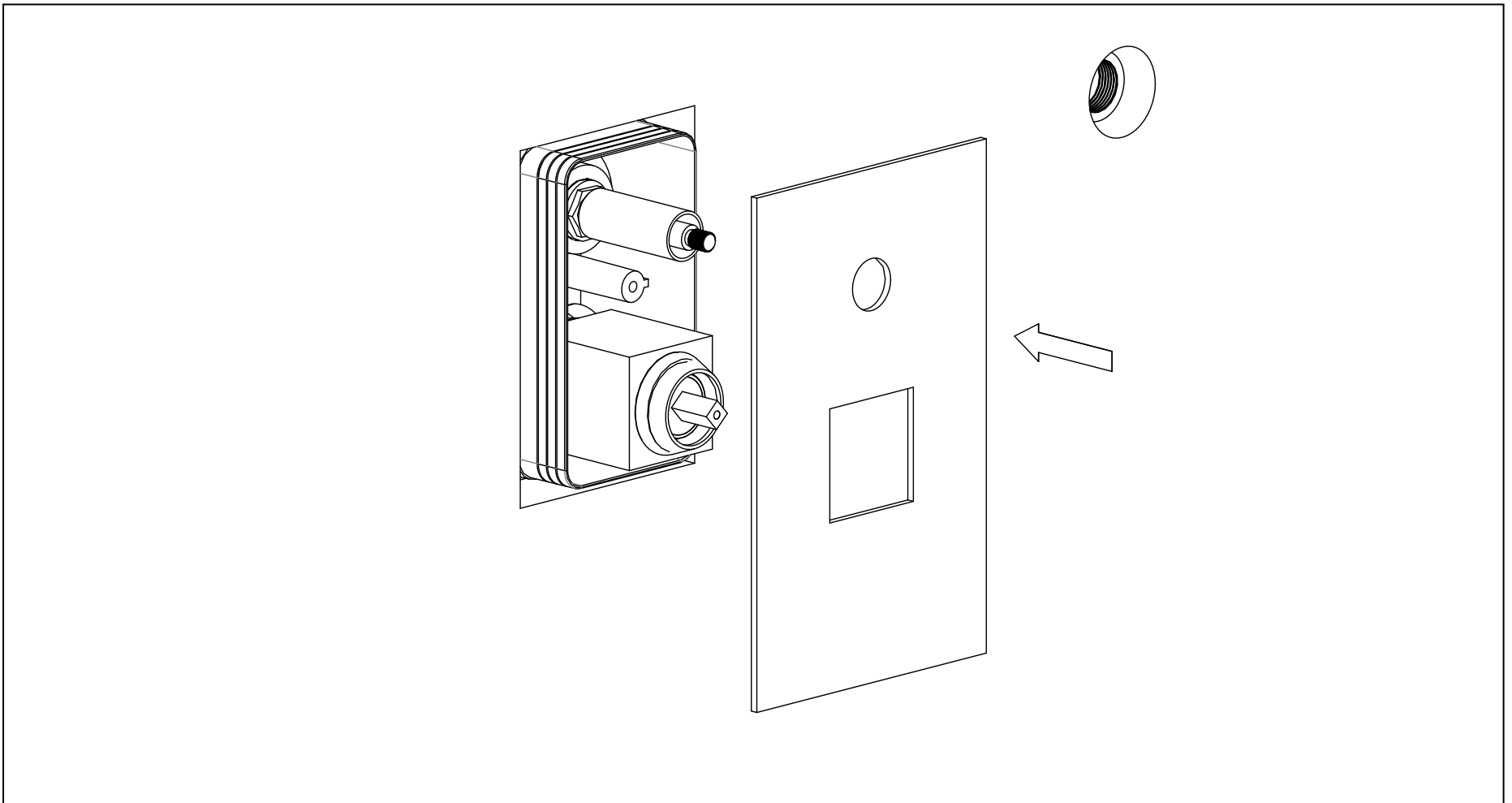
**WARNING:** Failure to seal the wall can lead to possible water damage.



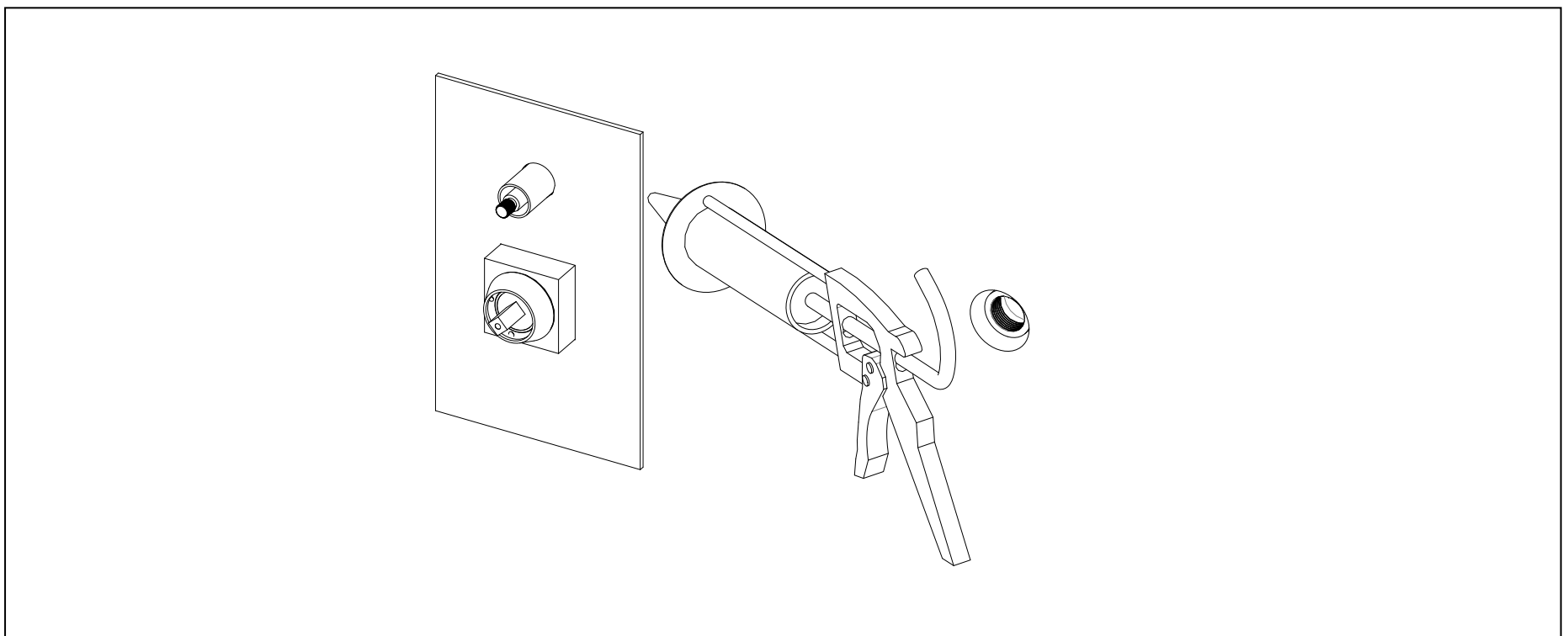
**6.6** Remove the valve sleeve by Phillips screwdriver and hold the screw for next step (fastening battery box).



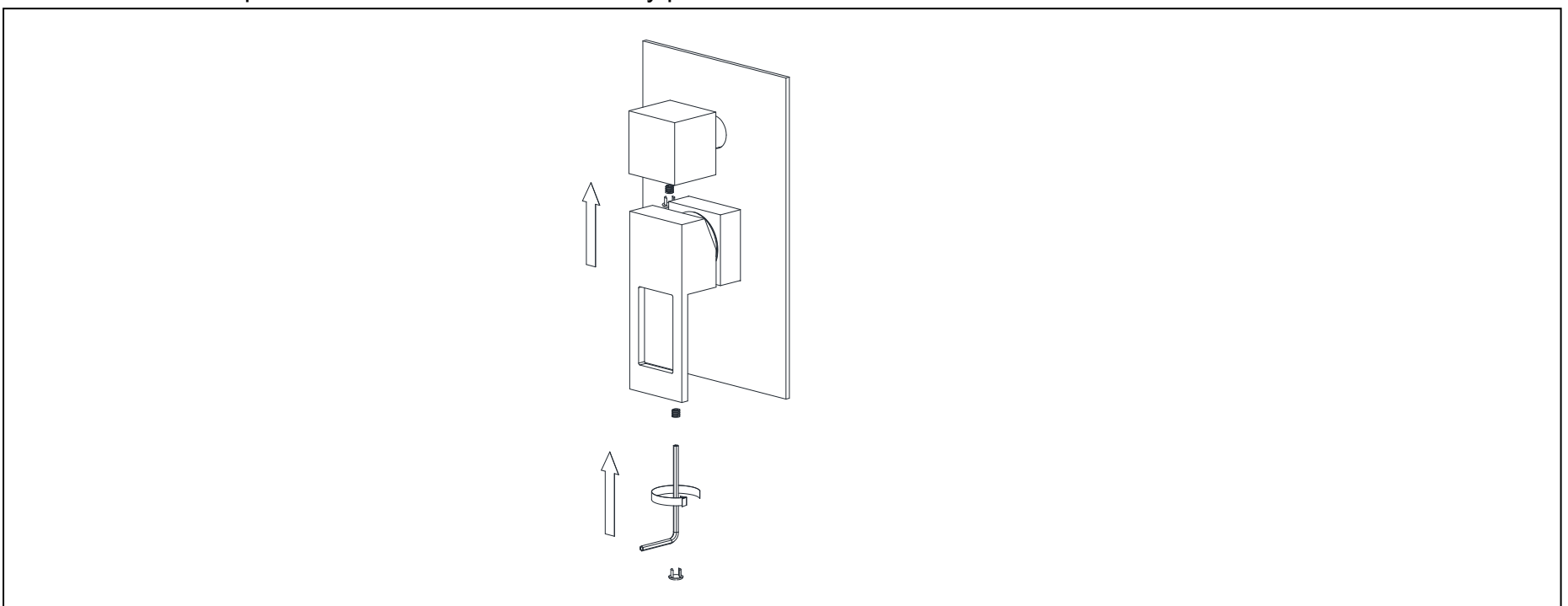
**6.8** Attach the escutcheon over the valve body.

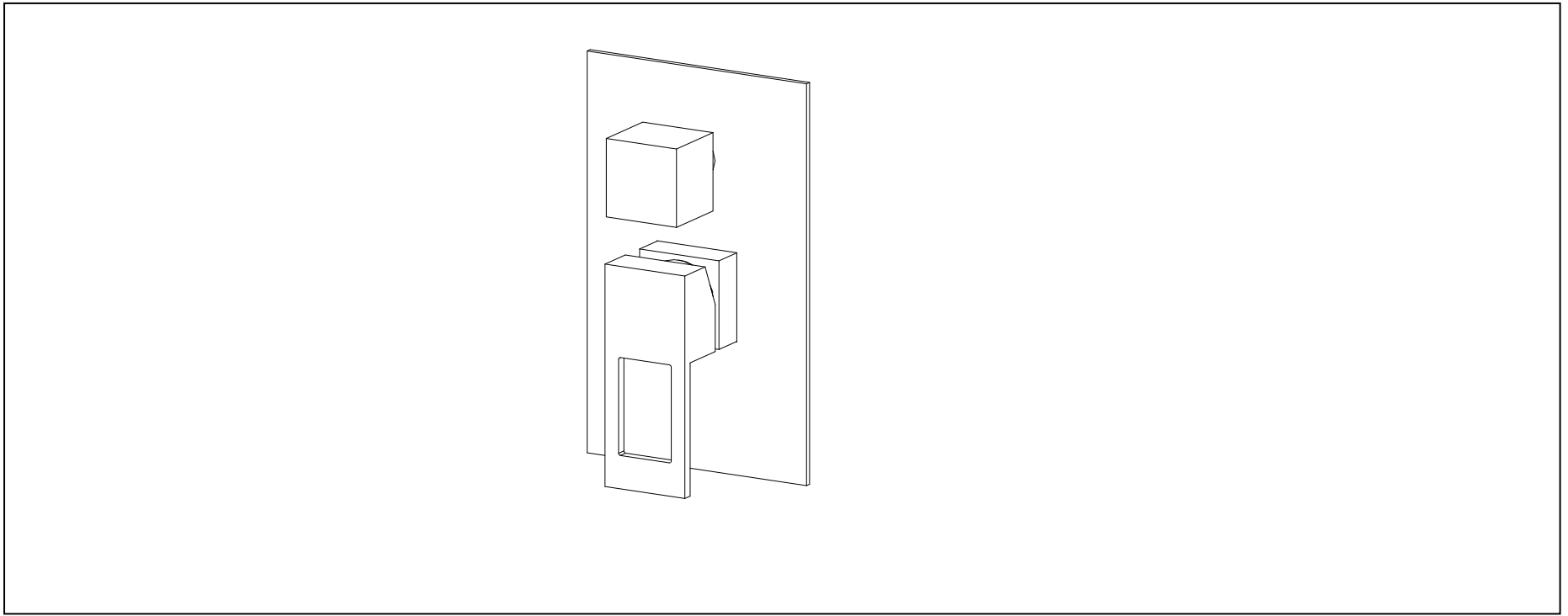


**6.9** Seal the wall around the plaster shield with waterproof sealant

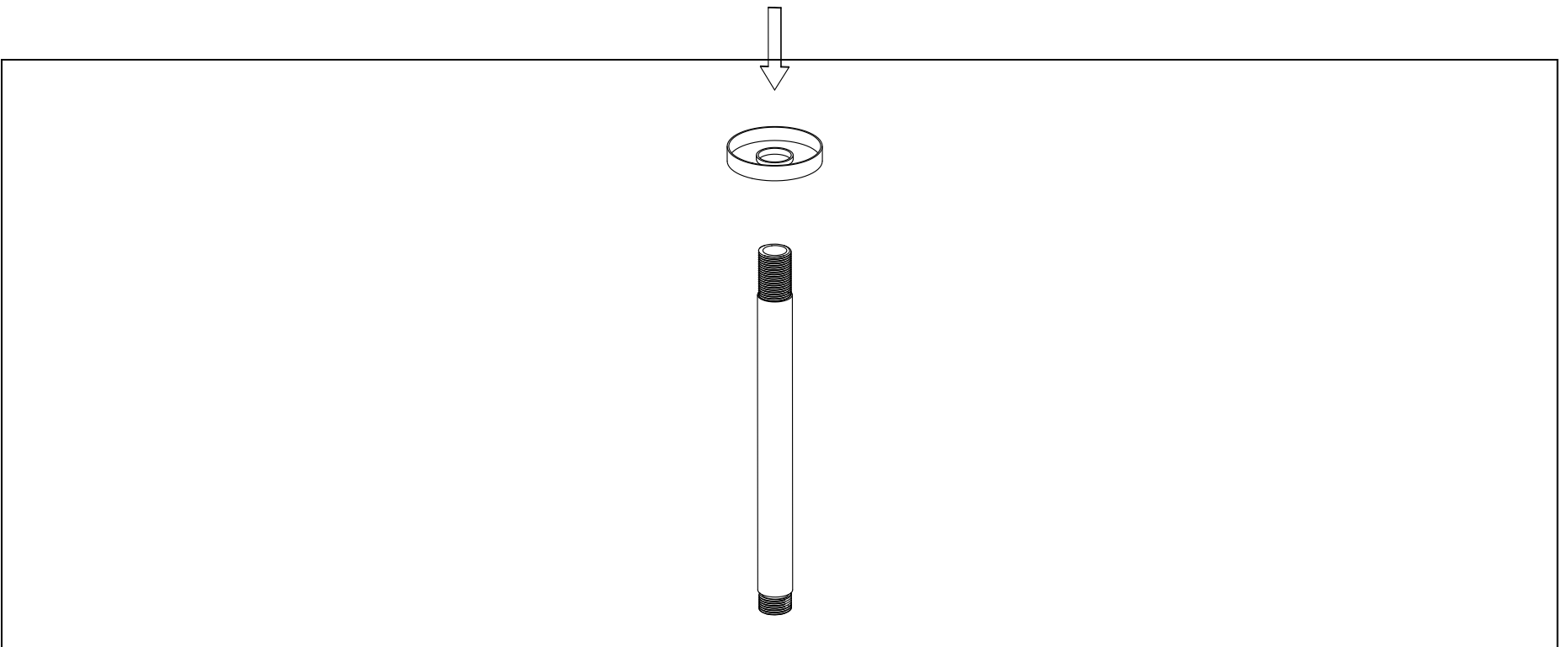


**6.10** Attach handle onto the valve stem and tighten set screws by the Allen wrench that is provided. Please don't over tighten. Done the same procedure on diverter knob. Finally press-in the screw cover.



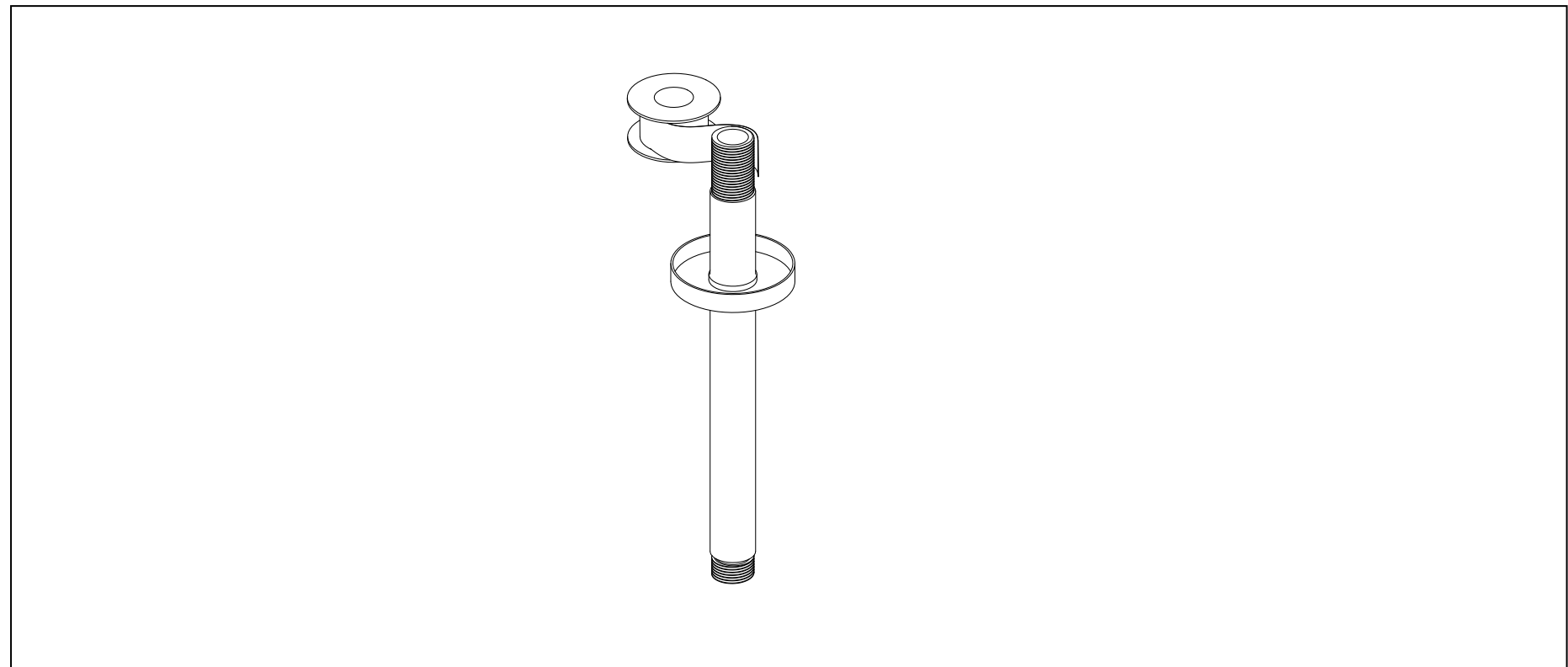


**6.11** Valve trim install finish.

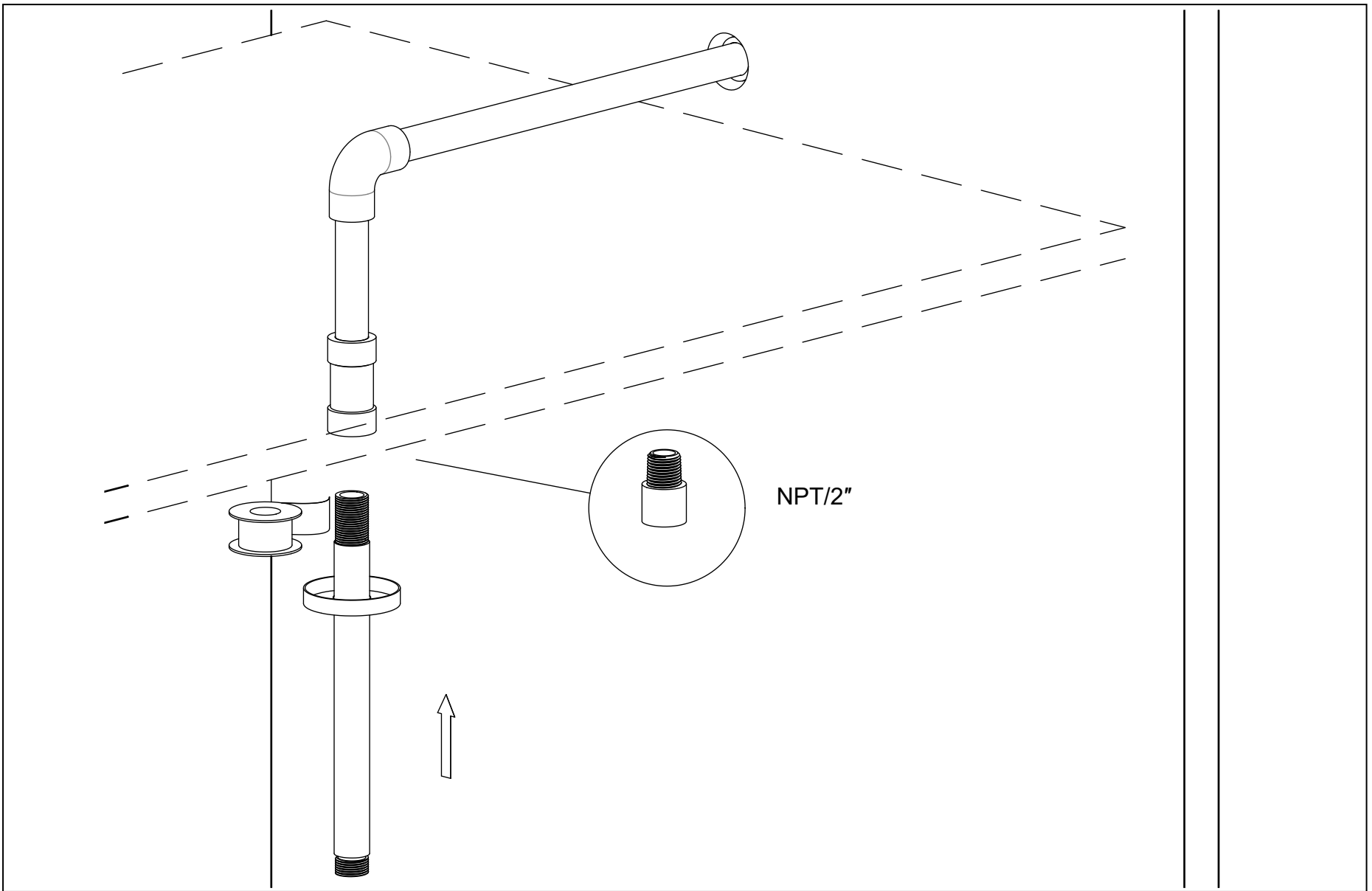


## **7. SHOWERHEAD INSTALLATION**

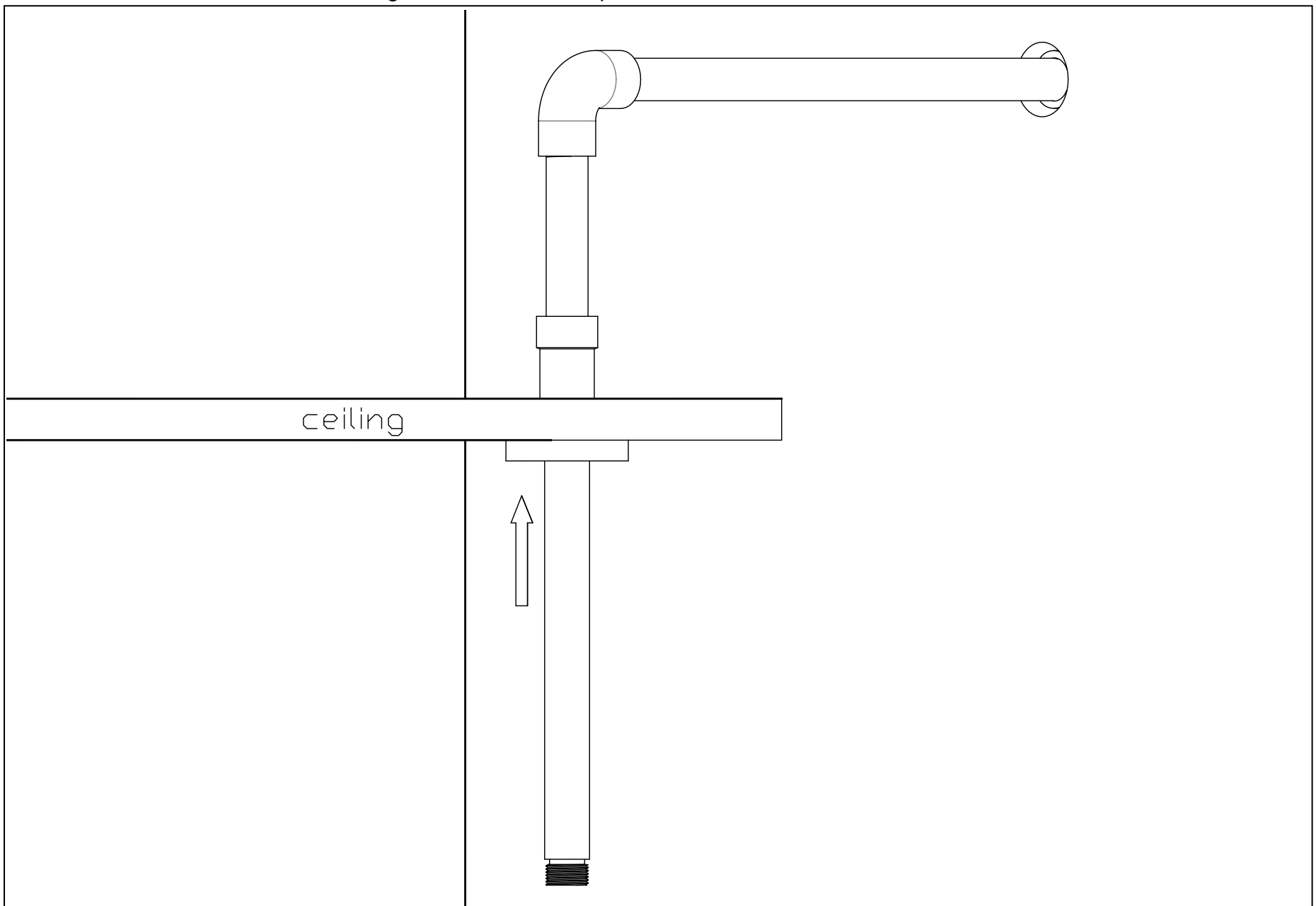
**7.1** Attach Shower arm escutcheon to the shower arm and apply Teflon tape on the thread of shower arm




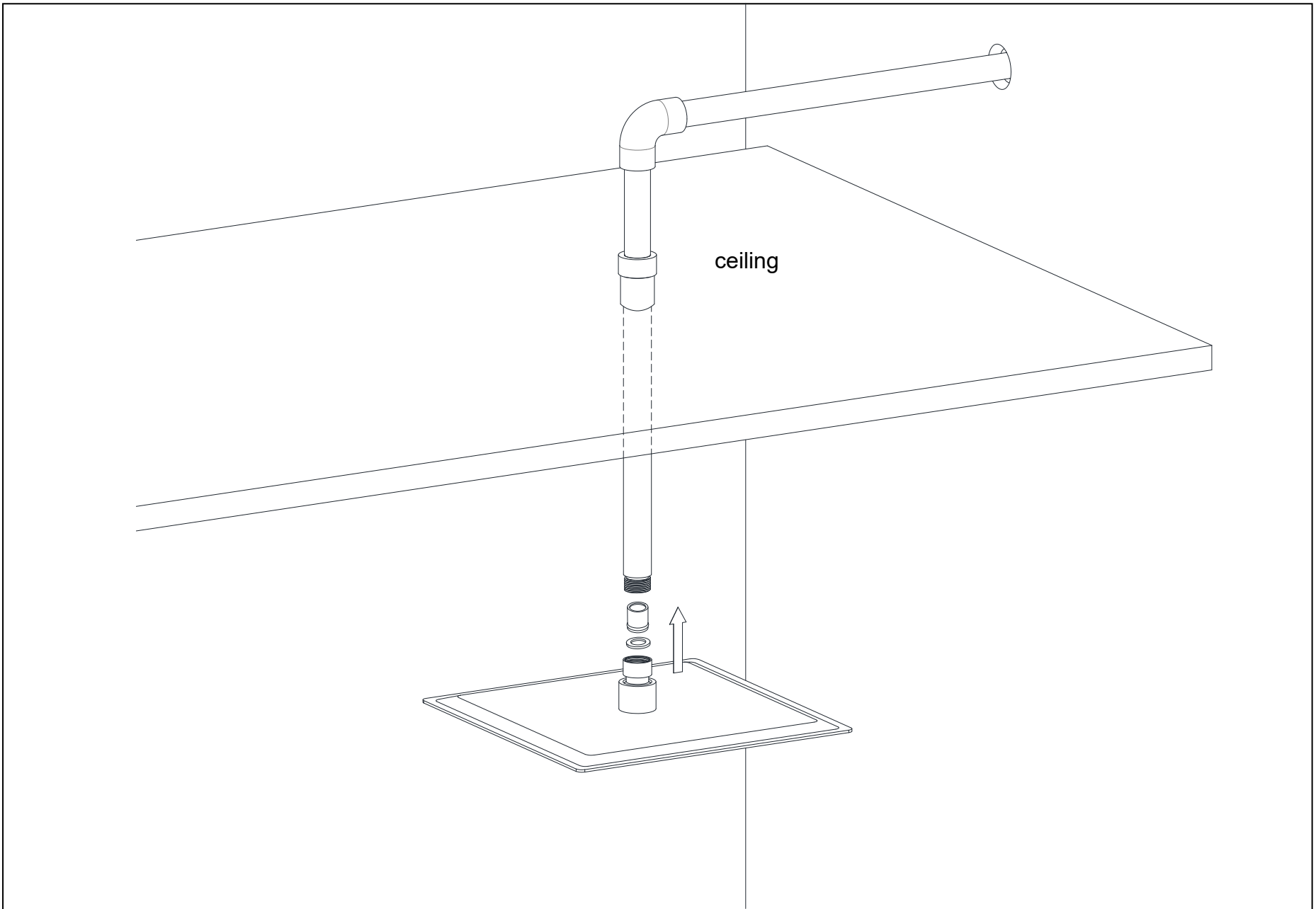
**7.2** Secure the shower arm into the pipe fitting inside the ceiling by rotating clockwise.  
Standard thread of Shower arm inlet: NPT1/2 (US, CA)



**7.3** Attach the escutcheon to the ceiling and seal with waterproof sealant

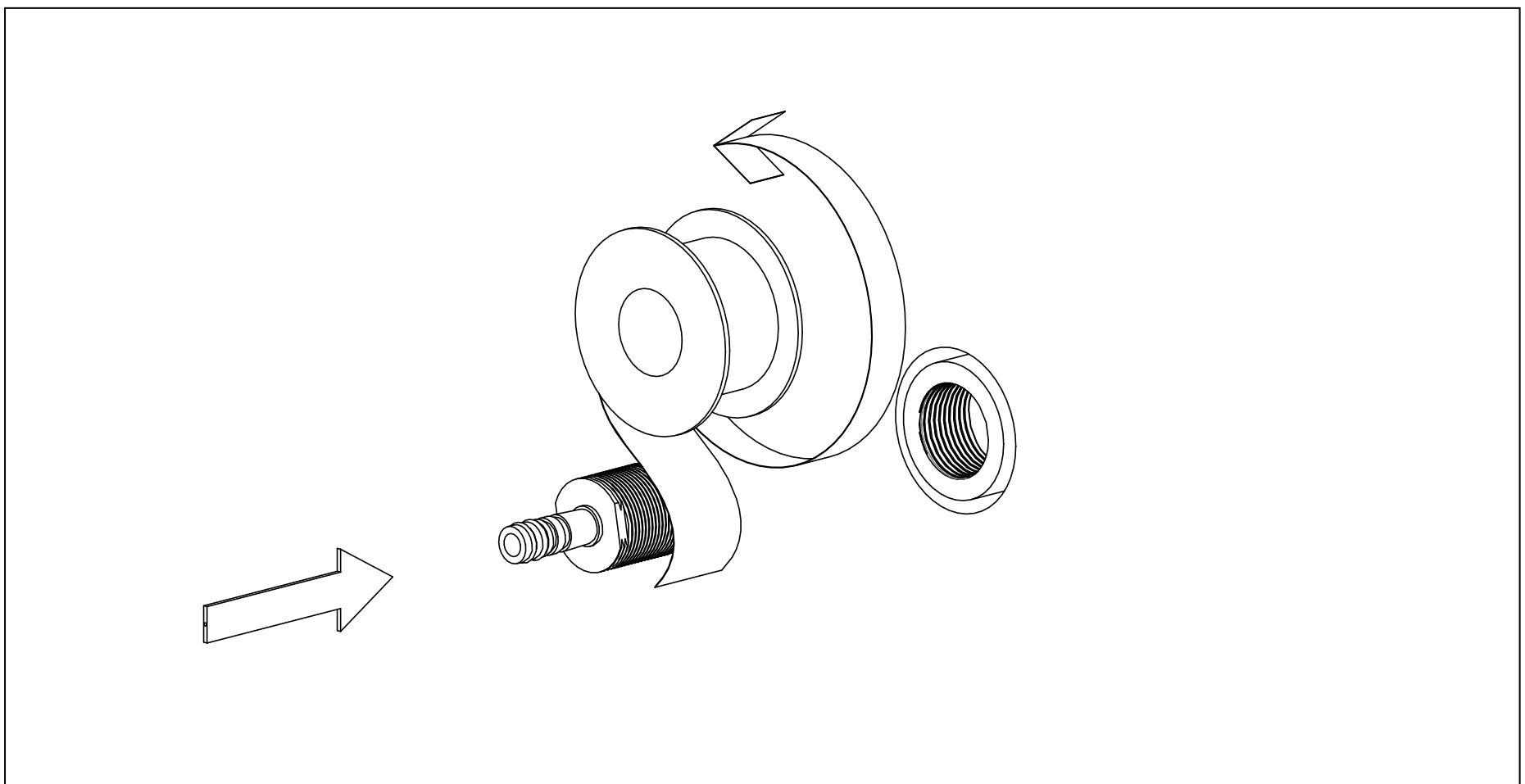


**7.3** Put the washer into the connector of showerhead and secure the showerhead on the shower arm by hand rotating clockwise.  
 Missing the screen washer might lead to LED lighting shower invalid when installation LED showerhead.

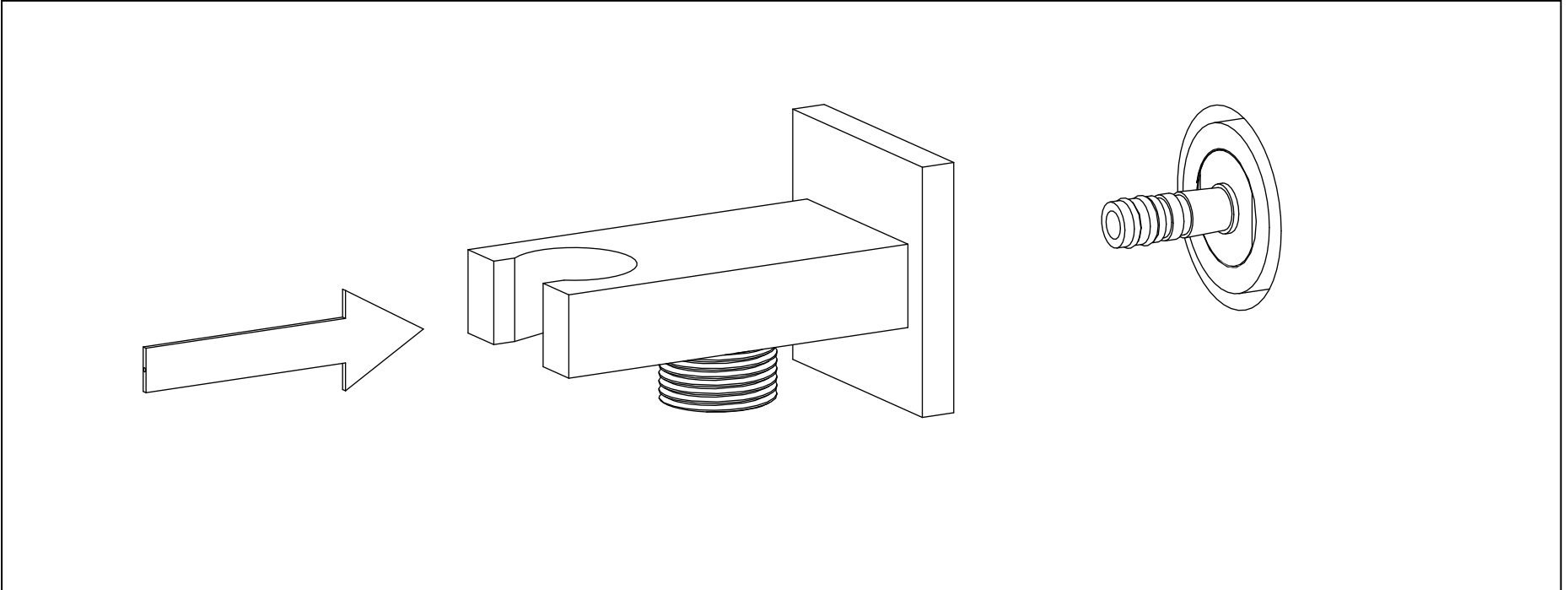


## **8. HAND SHOWER INSTALLATION**

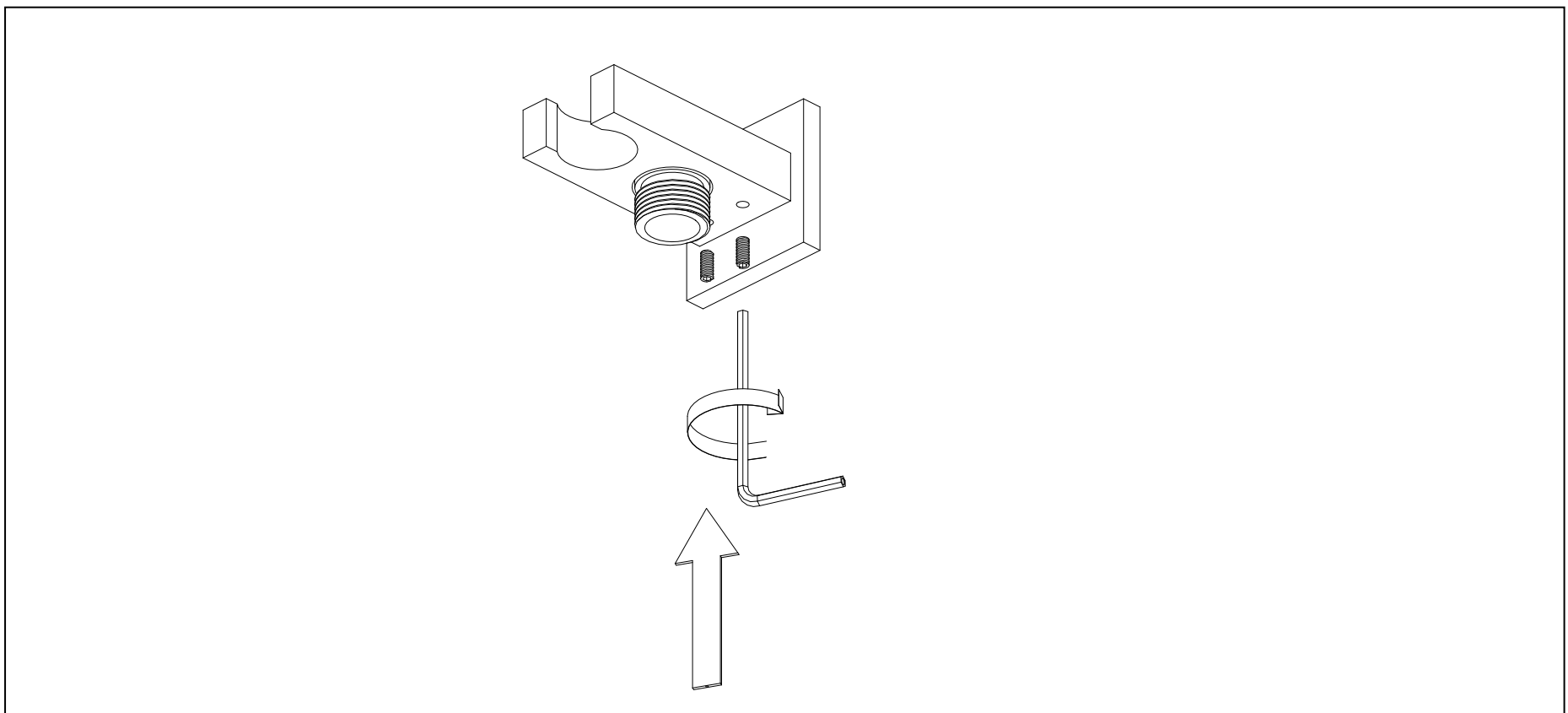
**8.1** Apply Teflon tape on the thread of nipple and screw the thread into the pipe elbow inside the wall.



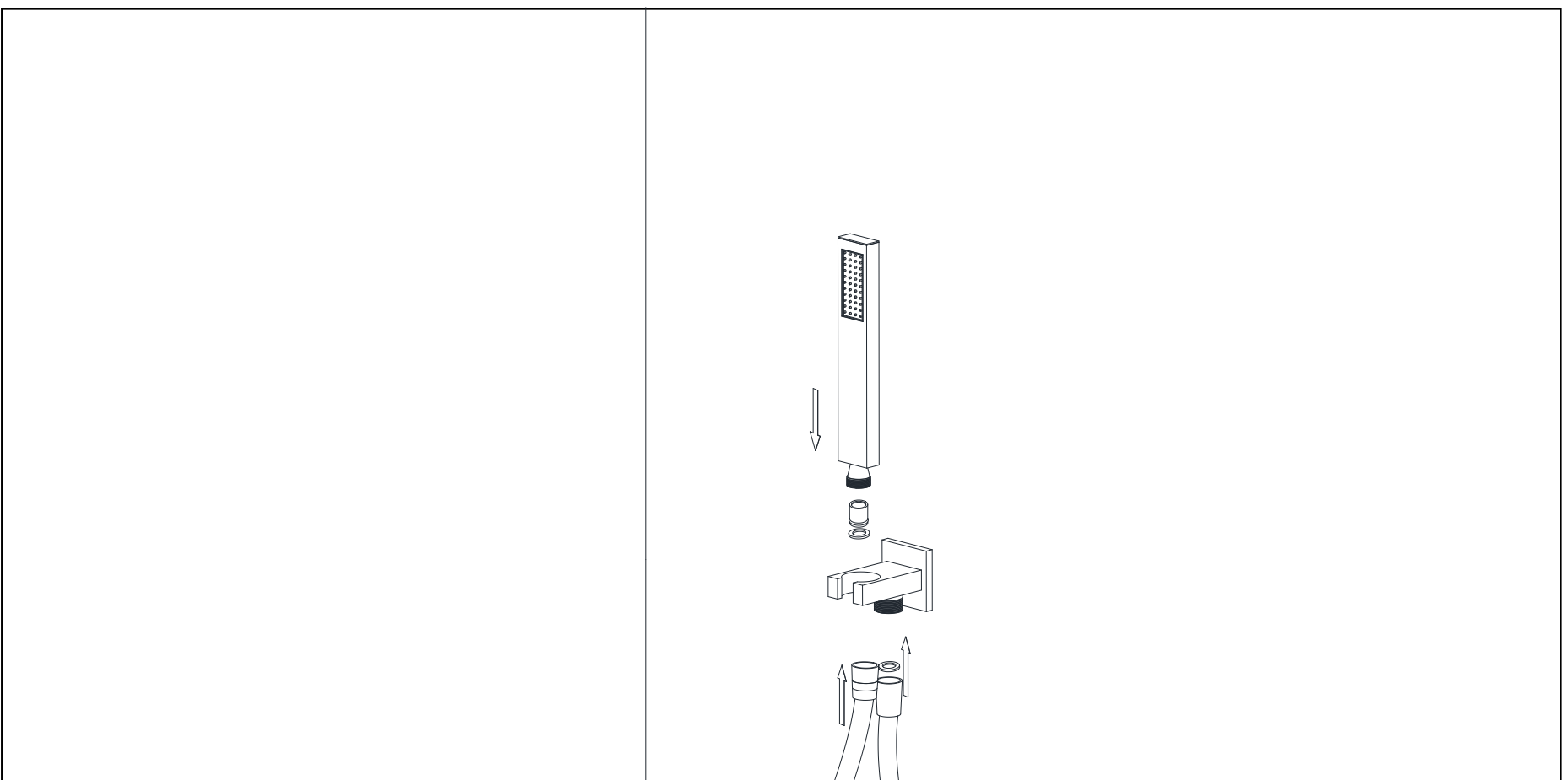
**8.2** Dock the shower holder assembly to nipple.

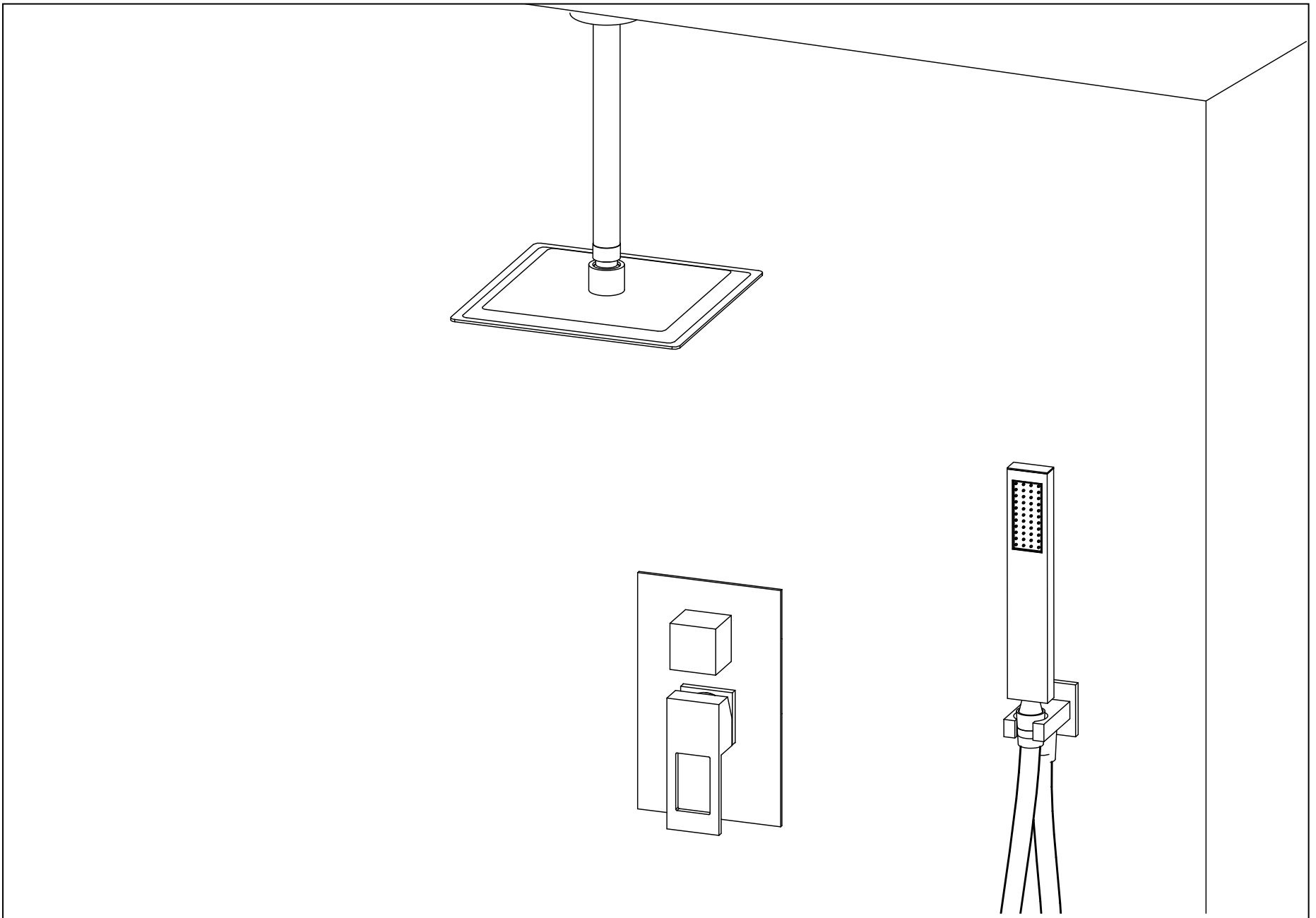


**8.3** Secure shower holder to nipple with set screw by Allen Key.



**8.4.** Connect the hand shower to the elbow with flexible hose.





## **9. INSPECTION**

9.1 Turn on hot and cold water supply and check all connection for ensuring no leaking anywhere.

## **10. FUNCTION INSPECTION**

10.1 Turn on the handle, the water outflow from the showerhead.

10.2 Switch the diverter Knob, the water will rush from the hand shower.

## **INSTALL FINISH**

## CLEARNING RECOMMENDATION FOR SUMERAIN PRODUCTS

Modern lavatory faucets, kitchen faucets, and showers consist of very different materials to comply with the needs of the market with regard to design and functionality. To avoid damage and returns, it is necessary to consider certain criteria when cleaning.

### Cleaning Materials for faucets and showers

Acids are a necessary ingredient of cleaning materials for removing lime, however please pay attention to the following points when cleaning faucets and showers:

- Only use cleaning materials which are explicitly intended for this type of application.
- Never use cleaning materials which contain hydrochloric, formic, phosphoric, or acetic acid, as they cause considerable damage.
- Never mix one cleaning material with another.
- Never use cleaning materials or appliances with an abrasive effect, such as unsuitable cleaning powders, sponge pads, or micro fiber cloths.

### Cleaning instructions for faucets and showers

Please follow the cleaning material manufacturer's instructions. In addition, pay attention to the following points:

- Clean the faucets and showers as and when required.
- Use the amount of cleaning product and the amount of time recommended by the manufacturer. Do not leave the cleaner on the fixture longer than necessary.
- Regular cleaning can prevent calcification, if scale deposits are noticed on the faucet surface or the spout, you can clean it by a commercial limescale remover, such as Lime-Away® or CLR®. Dilute the remover according to the label instructions.
- The faucets might have some rusty if your faucet under hard water condition, please rub it with aluminum foil dipped in water until the surface is nice and smooth, and wipe it use a small amount of chrome polish or maybe something like car wax (such as Meguiar®, Turtle Wax®) or polish.
- For stainless steel faucet and spout both made of solid stainless, normally this finish has not protective coating on it (in particular waterfall spout inside), stainless steel is by its material nature very tarnish resistant, but by no means tarnish or stain proof. This finish might oxidize naturally over time and react to its environment. Keep your stainless fixture wiped clean and dry and use only a cleaner specifically made for stainless steel (such as Weiman®, CLR®).
- When using spray cleaners, spray first onto a soft cloth or sponge, never spray directly onto the faucet as droplets can enter openings and gaps and cause damage.
- After cleaning, rinse thoroughly with clean water to remove any cleaner residue.

### Important

Residues of liquid soaps, shampoos, and shower foams can also cause damage, so rinse with clean water after using.



**Please note:** if the surface is already damaged, the effect of cleaning materials will cause further damage.

**Components with damaged surfaces must be replaced or injury could result.  
Damage caused by improper treatment is not covered under the warranty.**

# SUMERAIN®

### SUMERAIN INTERNATIONAL GROUP INC

**Address:** 1226 NORTH KING ST NUM 522  
WILMINGTON, DE 19801  
United States

**Tel:** +1(866)203-0866

**Web:** <http://www.sumerain.com>

**E-mail:** [supports@sumerain.us](mailto:supports@sumerain.us)

### HONGKONG SUMERAIN SANITARY INDUSTRY CO., LIMITED

**Address:** FLAT/RM 3B 3/F BANK TOWER  
NOS.351&353 KING'S ROAD  
NORTH POINT  
HK

**Tel:** +86-750-2731579

**E-mail:** [supports@sumerain.com](mailto:supports@sumerain.com)

### SUMERAIN EUROPE SUPPORT

**Address:** Flottwellstr. 15  
10785 Berlin,  
Deutschland

**Tel:** +49 (0)30/23975898

**E-mail:** [de@sumerain.com](mailto:de@sumerain.com)