

NOTICE

- * Please make sure that you have all parts indicated and they are in good condition before you begin assembly of this item. Refer to part list and hardware list below for guidance.
- * This item should be assembled on a soft surface to prevent scratching the finish during assembly.
- * This item may require periodic tightening.
- * If you are having difficulty, our friendly Customer Care team is always here to help. Please email

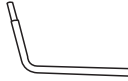
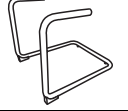
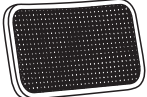


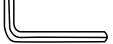
PREPARATION

- * Before beginning assembly of product, make sure all parts are present. Compare parts with part contents list and hardware contents list.
- * If any part is missing or damaged, do not attempt to assemble the product.
- * Estimated Assembly Time: 10 minutes.
- * Tools Required for Assembly (included): Allen Key

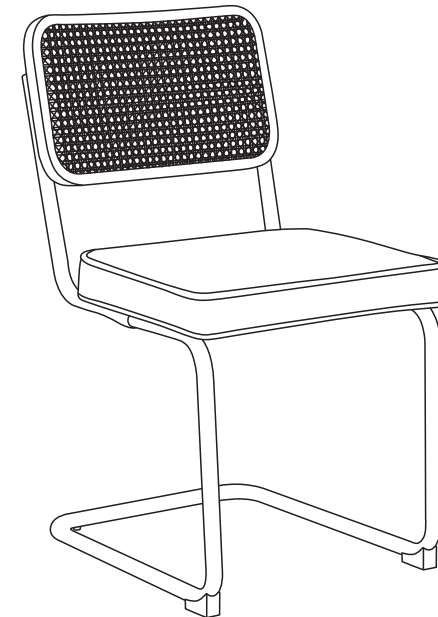
CARE AND MAINTENANCE

To prevent overall soiling, frequent vacuuming or light brushing is recommended. Cushions and pillows should be turned on a weekly basis. Down-filled cushions should be brushed rather than vacuumed. Spot clean, using a mild water-free solvent or dry cleaning product. Only a professional cleaner should undertake a complete overall cleaning. The use of steam or water-based cleaners may cause excessive shrinking or staining.

Part List and Hardware List

PIECE	DESCRIPTION	PICTURE	QUANTITY
A	Backrest frame		2X
B	Seat frame		1X
C	Rattan backrest		1X
D	Seat pad		1X
HW1	Socket screw 6x0.5x40 MM		8X
HW2	Allen key		1X

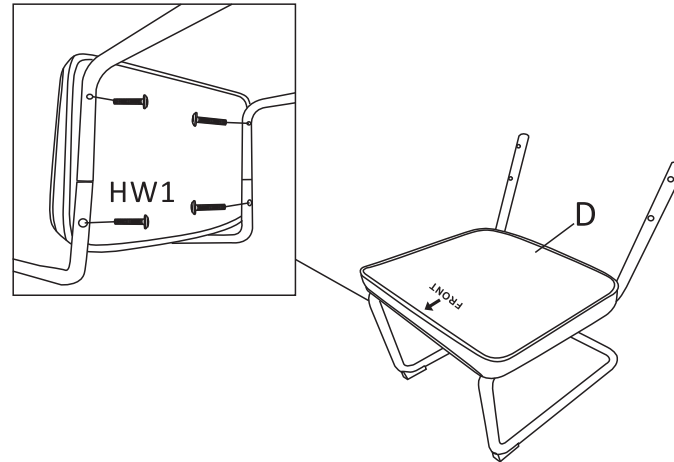
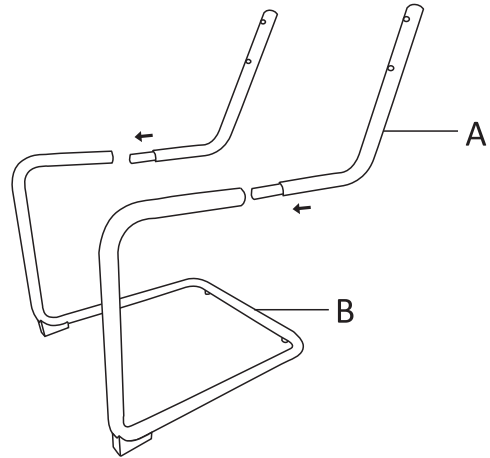
Product Dimensions: 18.5"Wx22.6"Dx32.7"H



Weight Capacity - 275 LBS
Warning: Do not stand on Chair
Warning: Do not over torque bolts.

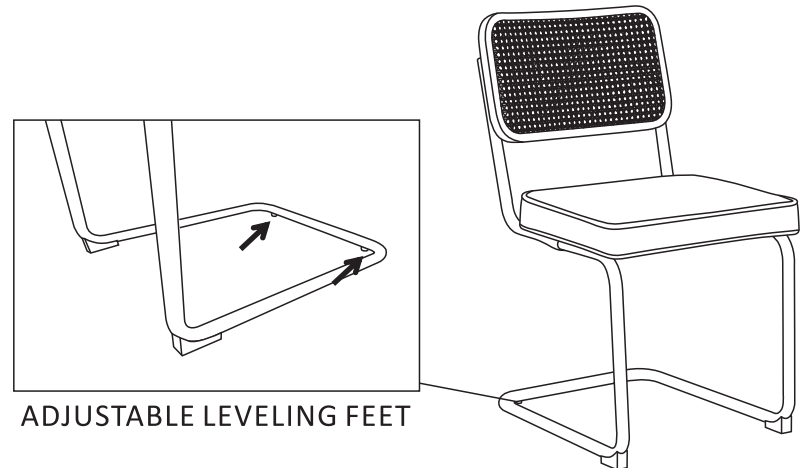
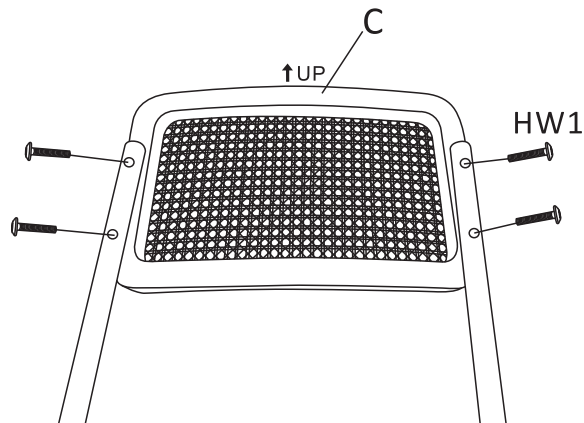
PREPARATION

- * Before beginning assembly of product, make sure all parts are present. Compare parts with part contents list and hardware contents list.
- * If any part is missing or damaged, do not attempt to assemble the product.
- * Estimated Assembly Time: 10 minutes.
- * Tools Required for Assembly (included): Allen Key
- * If you are having difficulty, our friendly Customer Care team is always here to help. Please email



Step 1: INSERT THE BACKREST FRAME TO THE SEAT FRAME

Step 2: SCREW IN THE BOLTS TO ASSEMBLE SEAT PAD(D) AND SEAT FRAME(B). BUT DO NOT TIGHTEN COMPLETELY UNTIL THERE IS NO GAP BETWEEN BACKREST FRAME(A) AND SEAT FRAME(B). ATTENTION TO THE DIRECTION OF FRONT.



Step 3: SCREW IN THE BOLTS TO ASSEMBLE RATTAN BACKREST(C) AND BACKREST FRAME(A). BUT DO NOT TIGHTEN COMPLETELY. ATTENTION TO THE DIRECTION OF UP AND DOWN

Step 4: PUT THE CHAIR UPRIGHT AND MAKE SURE IT IS LEVEL. THEN TIGHTEN ALL BOLTS. THE ADJUSTABLE LEVELING FEET CAN BE USED TO GET CHAIR IN LEVEL.