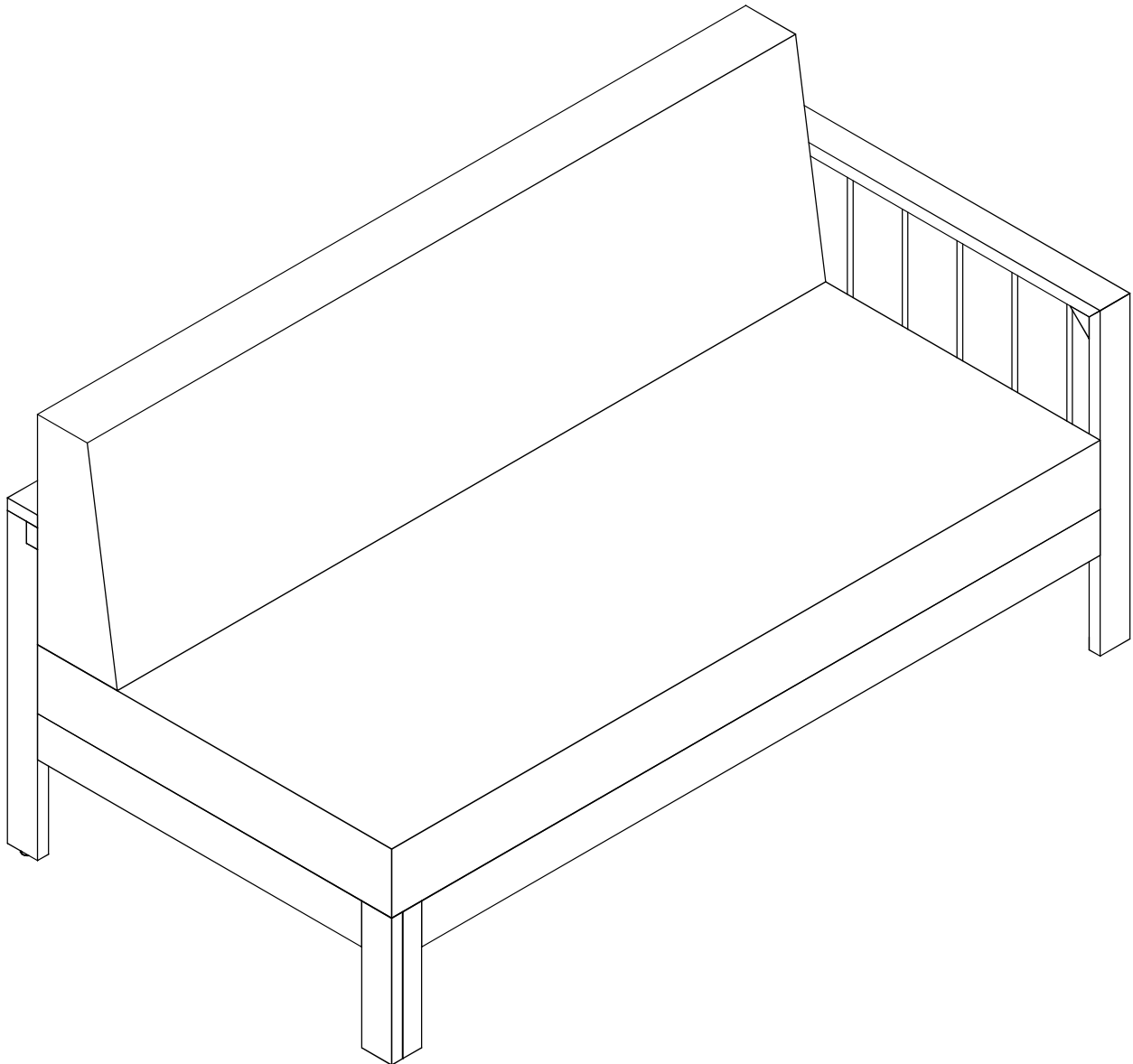


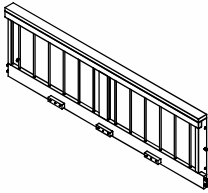
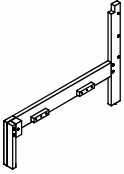
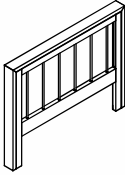
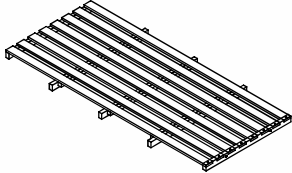
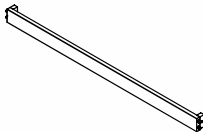
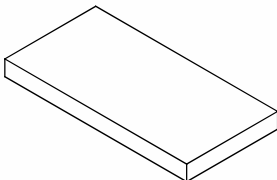
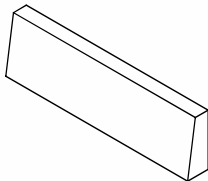
# Assembly Instructions


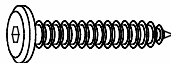

## Chair

**CAUTION:** You must read this before you proceed



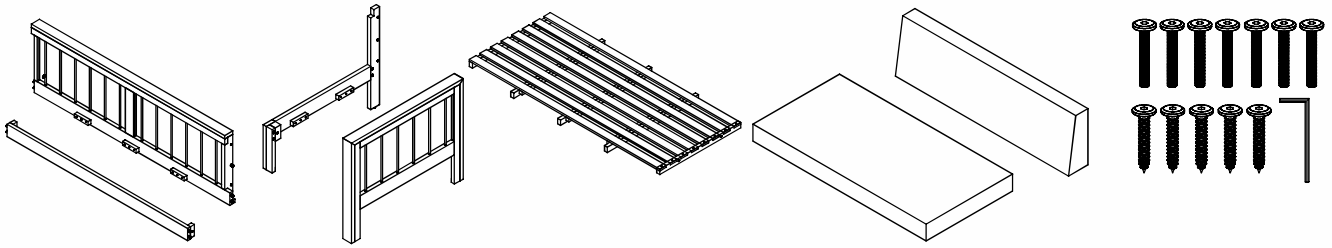
**CAUTION:** This Chair is NOT a Toy.  
Keep your child / children at bay in the process of assembly.  
For turning the Chair and to prevent damage to the Chair, 02 persons may be needed to execute this action.

<b>Parts List</b>			
<b>No.</b>	<b>Picture</b>	<b>Description</b>	<b>Qty</b>
<b>A</b>		Backrest Panel	1
<b>B</b>		Left Arm Panel	1
<b>C</b>		Right Arm Panel	1
<b>D</b>		Seat Panel	1
<b>E</b>		Support Bar	1
<b>F</b>		Seat Cushion	1
<b>G</b>		Back Cushion	1

<b>Hardware</b>			
<b>No.</b>	<b>Picture</b>	<b>Description</b>	<b>Qty</b>
①		Bolts (M6x35mm)	7
②		Screws (M6x40mm)	5
③		Allen Key	2

## Assembly Preparation

### Before Beginning Assembly



☒ Read instruction, cover to cover.



☒ Have 2 adults on hand for assembly.



☒ Do not assemble on flooring or carpet.

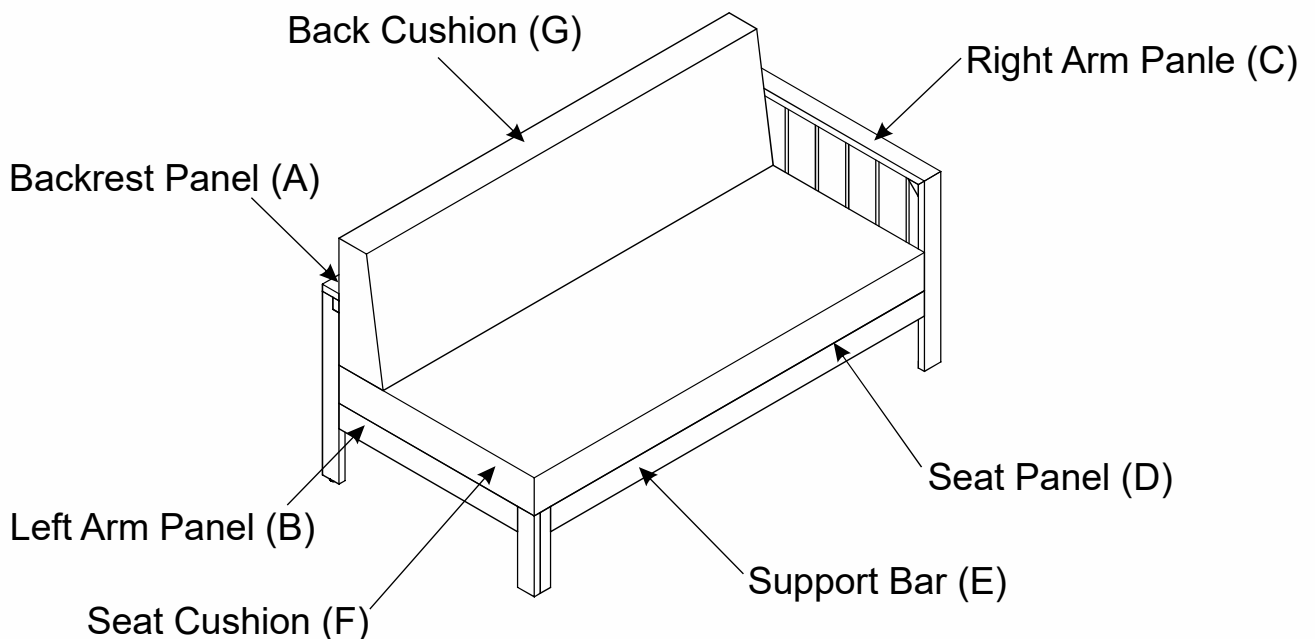


☒ Assemble on a clean non-marring surface (packing foam).



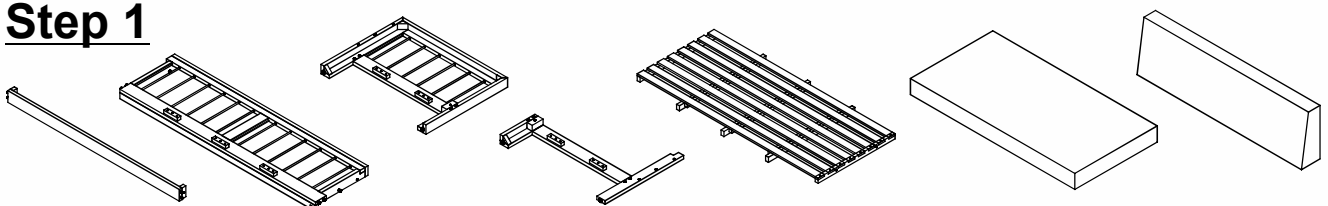
☒ Save all packaging until finished

## Assembly Steps



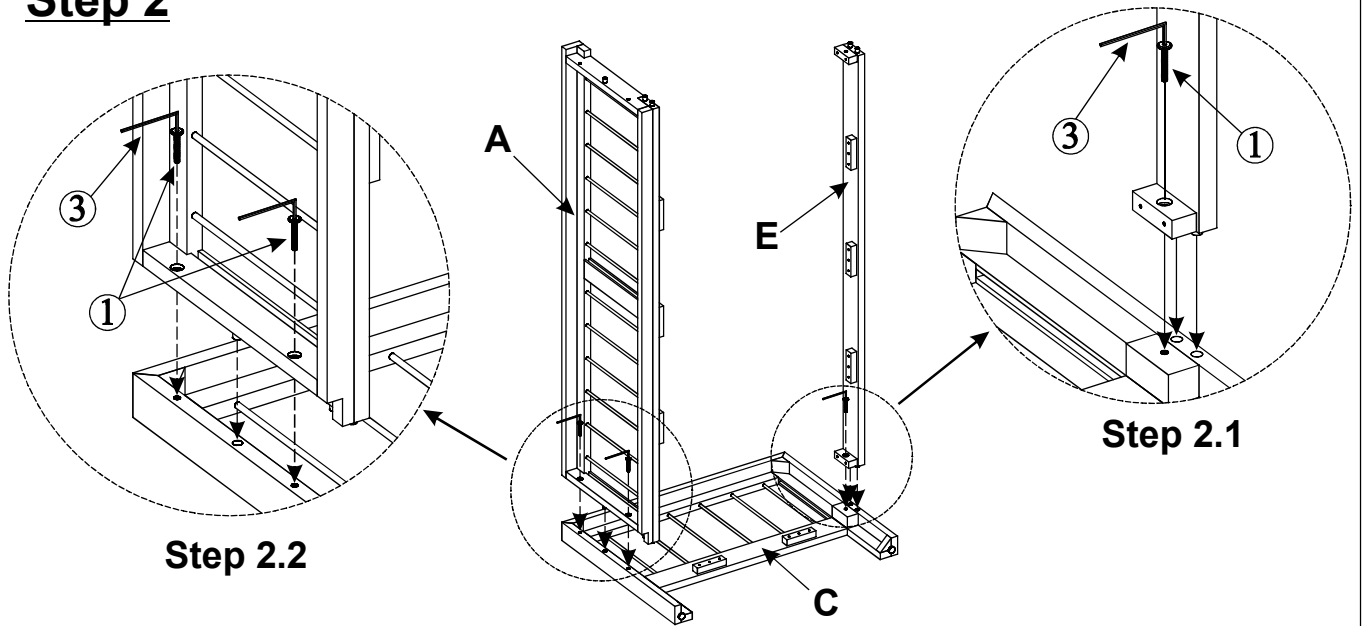
This Chair has multiple parts and may require up to 30 minutes to assemble. To give you an overview of the Chair parts, the above picture is to help you put various parts into perspective. Please read through the instructions herebelow to familiarise the parts and steps before assembly.

### Step 1



Unpack and place all parts on a clean, non-marring surface

## Step 2



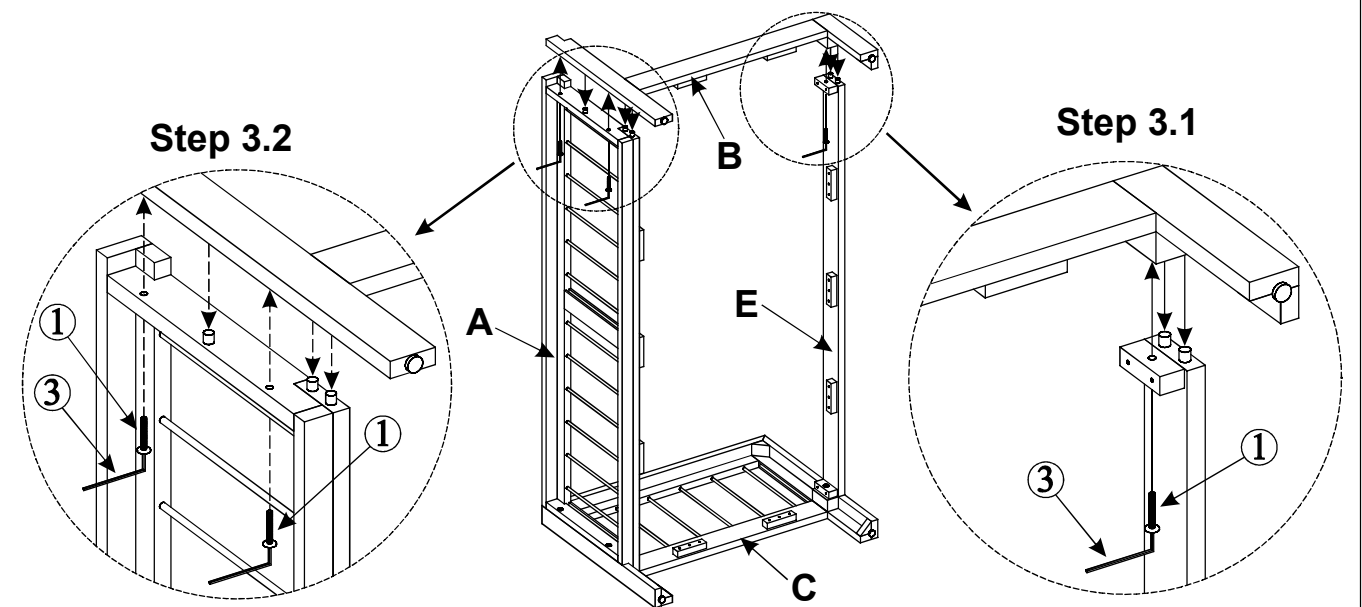
Place the Right Arm Panel (C) with inside face skywards onto a clean, soft surface to void any scratches or damages to the product.

**2.1):** Align the dowels of Support Bar (E) into the positions in the Right Arm Panel (C), secure by using Bolt (1) and Allen Key (3) as show above.

**2.2):** Attach the Backrest Panel (A) onto Right Arm Panel (C) secure by using Bolts (1) and Allen Key (3) as show above.

**DO NOT FULLY TIGHTHEN BOLTS.**

## Step 3



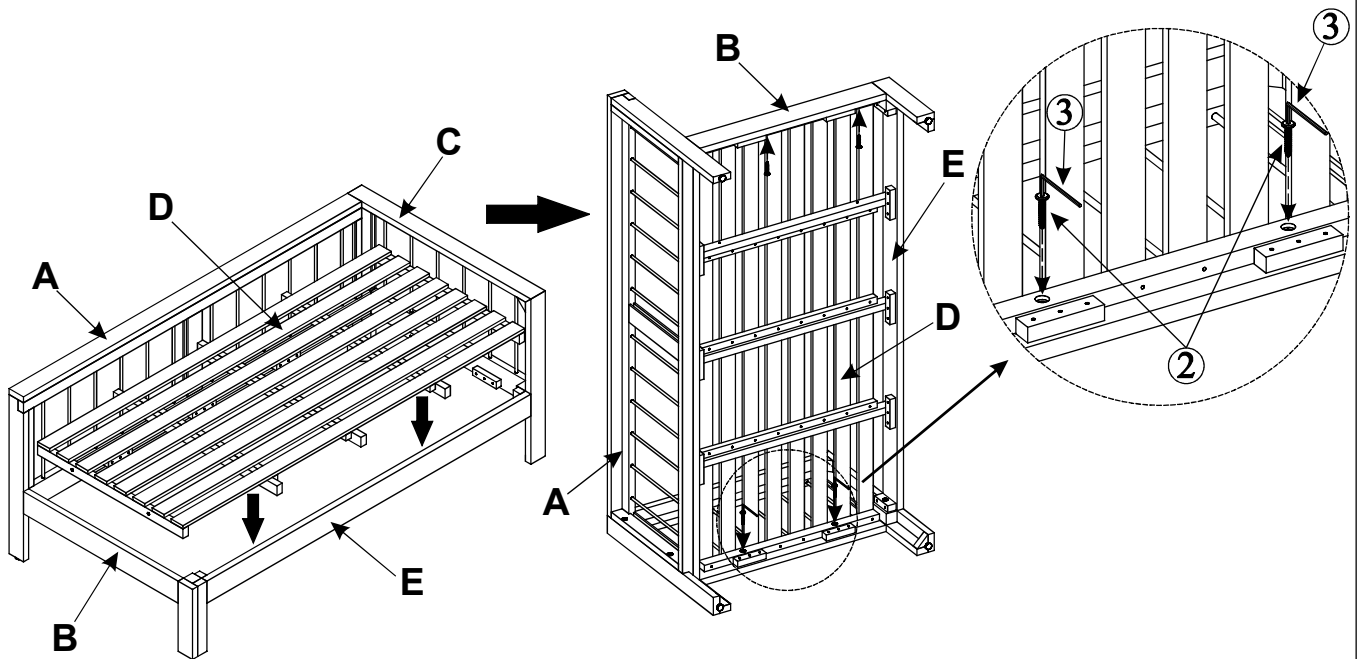
Place Left Arm Panel (B) onto the assembled frame from step 2, then:

**3.1)** Align the dowels of Support Bar (E) into the positions in the Left Arm Panel (B). Then, affix Support Bar (E) with Left Arm Panel (B) by using Bolt (1) and Allen Key (3).

**3.2)** Attach the Left Arm Panel (B) onto Backrest Panel (A) by using Bolts (1) and Allen Key (3).

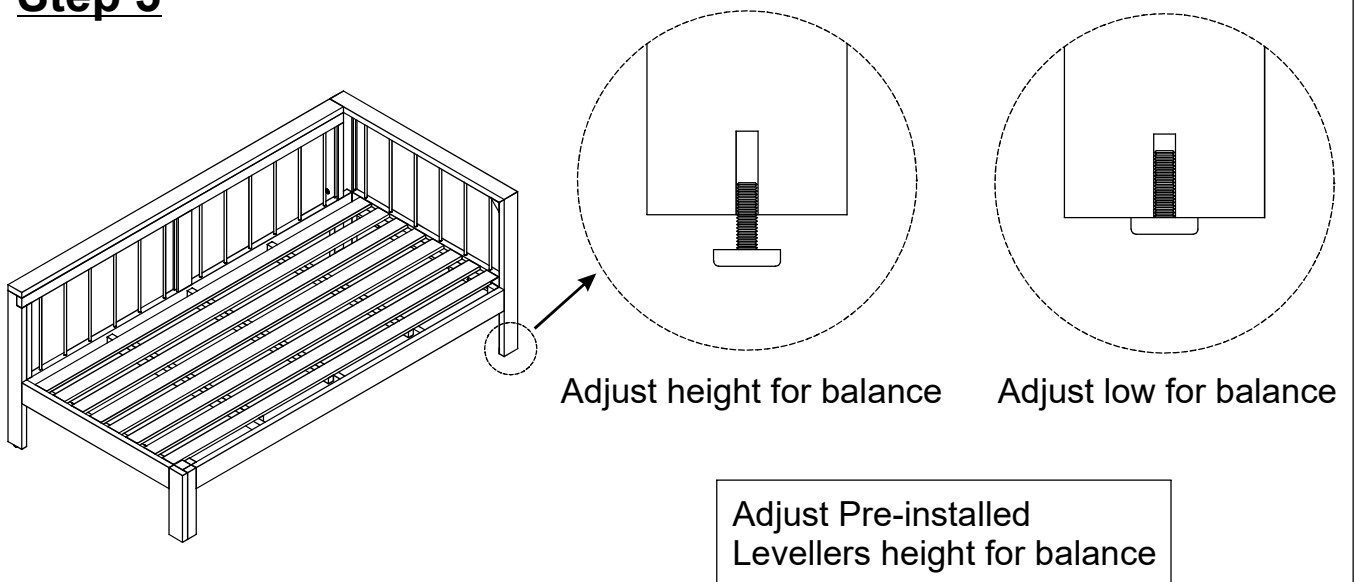
**DO NOT FULLY TIGHTHEN BOLTS.**

## Step 4



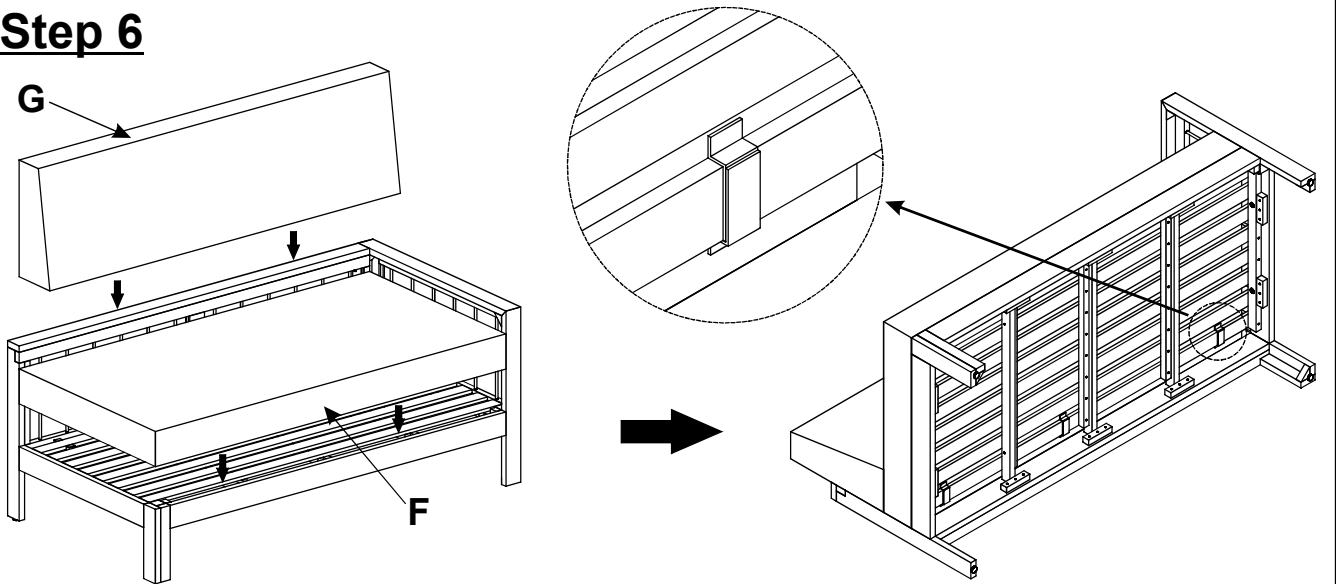
Attach the Seat Panel (D) into the Chair as show in picture above.  
Affix Seat Panel (D) with Chair by using Screws (②) and Allen Key (③).  
**Note: Using Screws (②) from inside to outside of Seat Panel (D)  
DO NOT FULLY TIGHTEN SCREWS.**

## Step 5



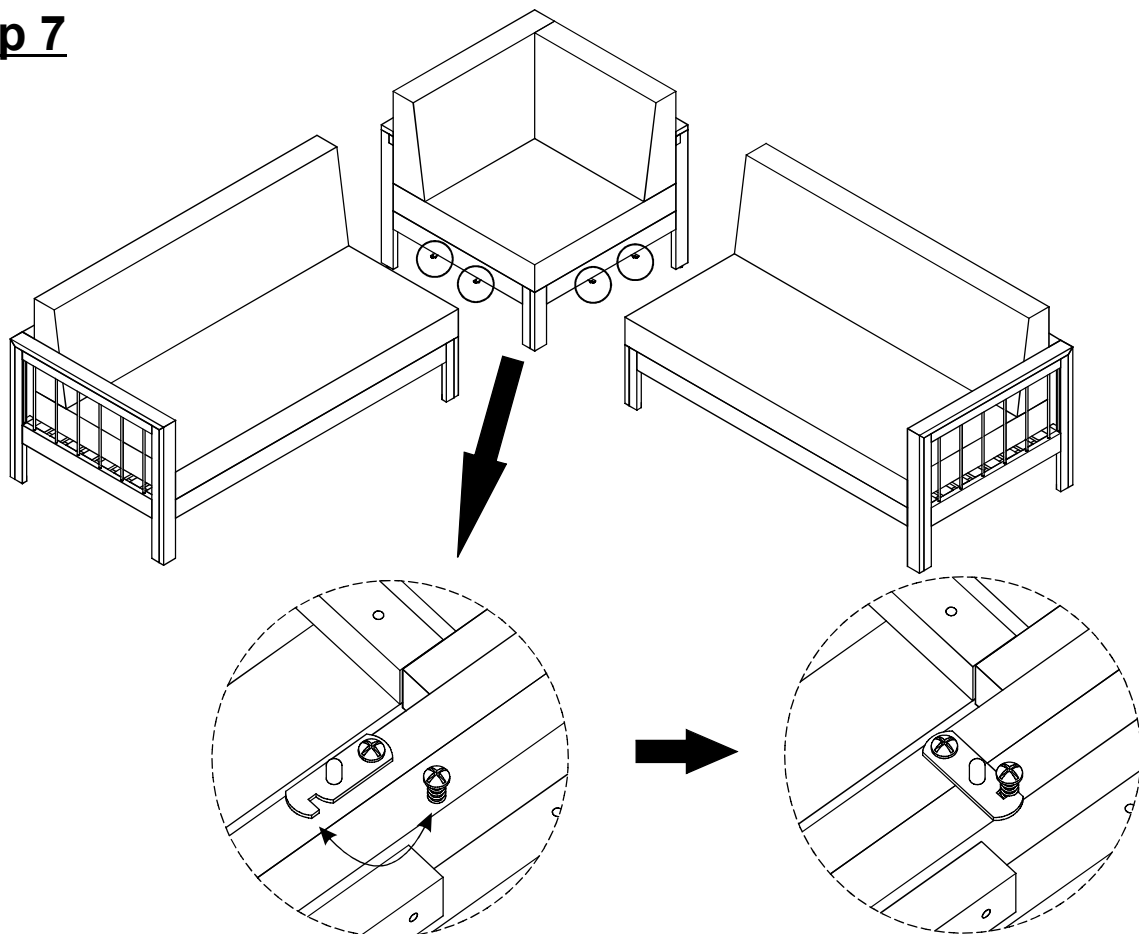
Place the Chair onto a flat, level surface.  
Then EXERT pressure, floorward onto the Chair with both hands.  
This pressure will help the Chair reach full alignment at all joints.  
In a sequential manner, gradually tighten all Bolts at all joints until evenly secured.  
Inspect the Chair and make sure all parts are adequately connected.  
Adjust the Levellers until the Chair is level with the ground.  
To adjust the Levellers, get assistance from an adult partner to lift/lean and hold the Chair while you are working.

## Step 6























With the help of your adult partner, turn the Chair right side up. Place Seat Cushion (F) and Back Cushion (G) to Seat Panel (D). Tie the velcro straps on the Seat Cushion(F) to the Seat Panel(D) as show above Inspect it and make sure all parts are adequately connected. Ensure all screws, bolts are fully locked into position and secured. **The Chair is ready to be used.**  
**Caution: This Chair can only be used on a flat, level surface.**

## Step 7



**Note: This is on optional step in case you want to connect all chairs in a set together and should be done before placing cushion.** With assistance from your adult partners, up side down the chair and using pre-fixed clip to connect the chair together.

## Care & Maintenance

-   ● Do not put hot items directly on furniture surface
  -   ● Do not clean furniture with harsh cleansers or polish.
  -   ● To obtain the longest lifespan of your outdoor products, minimizing exposure to direct sunlight is recommended.
  -   ● Children should not climb or jump on the furniture.
  -   ● Do not write on furniture without a padded barrier to protect the surface.
  -   ● To obtain the longest lifespan of your outdoor products, avoid extended and lengthy exposure to rain, snow, and direct sunshine. Whenever possible cover the product and /or place under patio or awnings.
  -   ● Not for commercial use. For residential use only .
  -   ● Stains may be removed with mild soap solution and damp cloth.
  -   ● Keep away from sources of ignition.
- 
-   ● Dust and pick-up spills using a clean, non-colored, lint-free cloth.