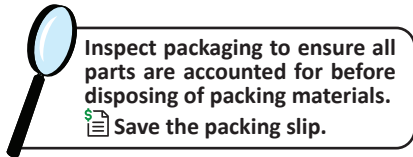


Thank you. We stand behind our brand and the quality of the items we sell. Replacement parts or products can be requested with the 1-year warranty period. Proof of purchase must be provided. This includes the date of the purchase as well as photos of the product defect. Photos are used to determine the cause of the defect and to provide future quality control. The request will be reviewed, and replacement pieces will be sent at our discretion.

CAMPFIRE RING WITH COOKING GRATE

Review all assembly and care information before using this product. Save this manual for future reference.

Assemble components on a soft, clean surface to avoid damaging the finish.

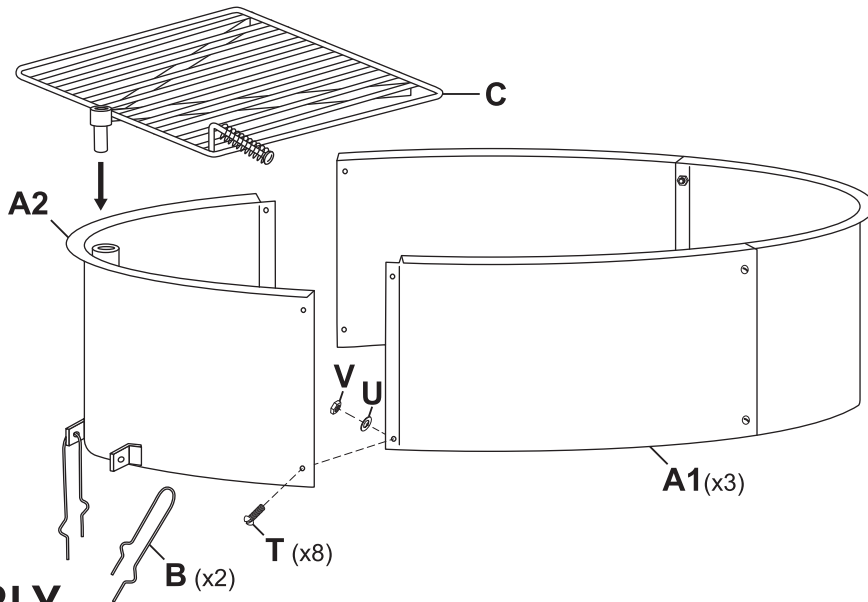


RECOMMENDED TOOLS (not included)	
	Regular Screwdriver

⚠ WARNING ⚠

CHOKING HAZARD — This item contains small parts that can be swallowed. Keep children and pets away during assembly.

No.	PARTS	QTY.
A1	Panel	3
A2	Grate Panel	1
B	Ground Anchor	2
C	Cooking Grate	1
T	1/4" x 5/8" Bolt	8
U	Washer	8
V	Nut	8
Y	Spanner	1
Z	Poker	1



ASSEMBLY

◀ DO NOT FULLY TIGHTEN HARDWARE UNTIL ALL PANELS HAVE BEEN LOOSELY FASTENED. ▶

1. Align Grate Panel (A2) and three Panels (A1). Then, loosely secure all panels by hand-tightening Bolts (T), Washers (U), and Nuts (V). After all panels are loosely connected, finish tightening hardware using Spanner (Y) and a regular screwdriver.
2. Place Cooking Grate (C) into the holder on the grate panel.
3. Install Ground Anchors (B) to the tabs on the bottom of the grate panel. **IMPORTANT:** Ensure the ground anchors are firmly installed into the ground before using the cooking grate.

CARE & MAINTENANCE

SAFE USE: Always use fire rings on a flat, non-combustible surface such as concrete or dirt. Do not use this fire ring on a wood deck, asphalt, or any other combustible surfaces like dry grass, leaves, mulch, etc. Never use in an area with an overhead structure or near any unprotected combustible constructions like vinyl or wood siding. Avoid using near or under overhanging trees and shrubs. Surround the outside of the unit with a fire resistant structure like cement, brick, or stone.

The fire ring will become extremely hot while in use. Always use the poker and heat-resistant gloves when maintaining a fire.

NO ACCELERANTS, NO PLASTICS: Never use an accelerant, i.e. gasoline or kerosene, to start a fire; this is dangerous and can damage your fire pit.

Never use any plastic materials in or nearby a fire pit. The emissions from burning plastic are toxic. Additionally, plastic residue is very difficult to remove.

EXTINGUISH: Let fires gradually die down and go out on its own. DO NOT use water to put out a fire as the sudden drop in temperature may damage the metal and/or cause serious injury.

EXPOSURE & MAINTENANCE: Long-term exposure to high-intensity heat can cause the high-temperature paint to flake or burn off the steel. If the paint burns off and the steel is exposed to moisture, it will rust. As with any outdoor steel product, periodic maintenance is required to maintain integrity and appearance. Remove rust and refinish with a suitable high-temperature paint; carefully follow the paint manufacturer instructions and ensure the paint is completely dry before using the unit again. **WARNING:** The one-year warranty does not cover damages or defects caused by painting and/or repairs.

A rain cover is recommend to protect the unit from weather elements when not in use. Cover not included.

Storing the unit indoors during off-season will help maintain product integrity and appearance.

CLEANING: Ensure the unit and ashes are completely cool before cleaning. Ashes can remain hot long after a fire dies down. If you feel heat when your hand is close to the metal or the ashes, the fire pit is too hot to clean.

Remove ashes and debris from the fire pit before every use. Wipe with a damp cloth. DO NOT use a metal brush.

SAFETY STATEMENTS & WARNINGS

- For outdoor use only. Never use this product in an enclosed area.
- Always follow local laws and regulations when using a fire pit.
- Exercise the same care and precautions as you would with an open fire.
- Always supervise children and pets when they are in proximity of this product, whether it is in use or not in use.
- Ensure the ring is properly anchored before using the cooking grate. Do not exceed the weight capacity of the cooking grate.
- Never use any fire pit during dry or windy conditions.
- Keep unit a safe distance away from buildings, balconies, or overhangs when in use.
- Do not use on or near combustible surfaces or structures such as wood decks, dry leaves or grass, mulch, vinyl or wood siding, etc.
- Only use this fire pit on a level, non-combustible surface.
- Keep away from all combustible materials including gasoline and other flammable liquids and vapors.
- Never use accelerants such as, but not limited to, gasoline, alcohol, paint thinners, kerosene, as this may cause serious injury or product damage.
- Do not overfill or use this unit or use it to burn leaves or trash.
- The fire pit becomes very hot when in use. Let the unit completely cool before cleaning or moving.
- Never leave unit unattended while hot or in use.
- Extinguish the fire properly before leaving it unattended. If necessary, use a fire extinguisher or sand to smother the fire. NEVER use water to extinguish hot fires or embers as doing so may cause serious injury and/or permanently damage the product.
- Ashes can remain hot for a long time after fire is extinguished. Dispose of cold ashes properly.
- Ensure the unit is completely cool before covering, failure to do so will damage the cover and the unit.
- DO NOT USE CHEMICAL-BASED CLEANERS as this may damage the product and/or ignite a flame during the next use.

Contact the local authorities regarding possible burn restrictions before using this product.

Any modification to the product or failure to follow recommended care will void the product warranty.

If you experience issues with assembly or the product was damaged during shipping, please contact our customer service team through one of the methods mentioned at the top of page 1.

Please have the item number and order information ready to expedite response time.

WARNING:

Manufacturer and seller expressly disclaim any and all liability from personal injury, property damage or loss, whether direct or indirect, or incidental, resulting from the incorrect attachment, improper use, inadequate maintenance, or neglect of this product.