

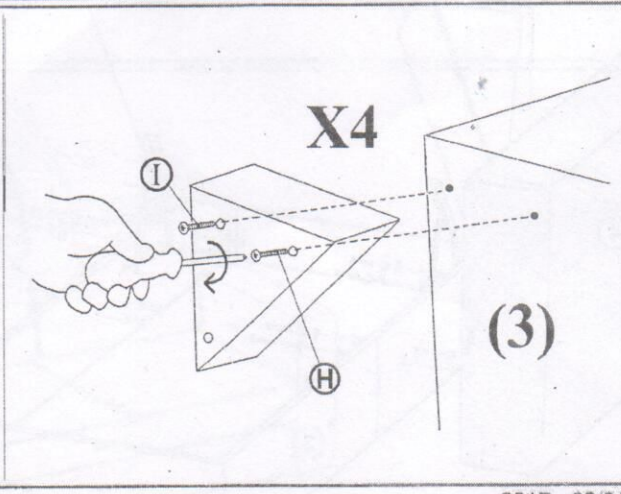
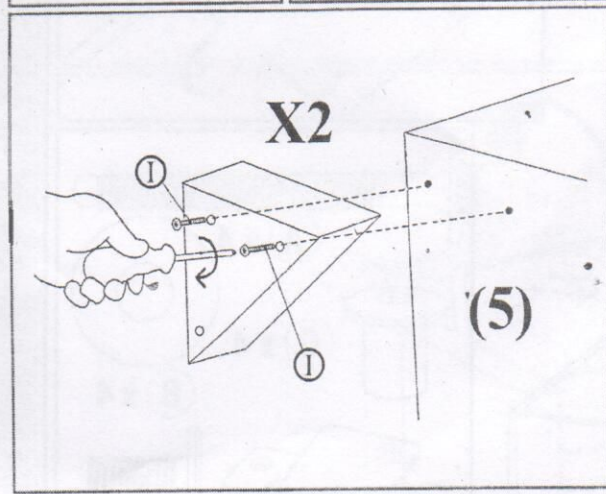
OUTILLAGE  
 TOOLS  
 WERKZEUG  
 HERRAMIENTA  
 ATTREZZATURA

QUINCAILLERIE - HARDWARE - BESCHLÄGE - FERRETERIA - CHINGABLERIA

**X 6**

**L=45mm**  
**H X 4**

**I X 8**   
**L=55mm**



NOTICE DE MONTAGE - ASSEMBLY INSTRUCTIONS - MONTAGEANLEITUNG - MANUAL DE MONTAJE - ISTRUZIONI PER IL MONTAGGIO