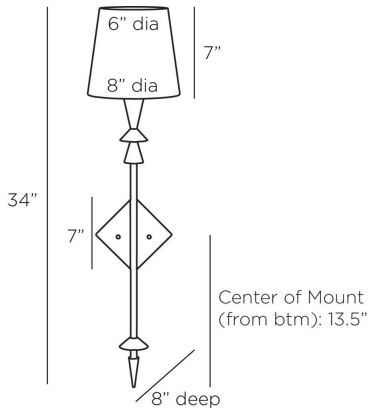


ARTERIOS

ANTON SCONCE



DW112
H: 34 IN, W: 8 IN, D: 8 IN,
Black Gesso

An Iron Age spear is the unlikely inspiration for our diamond-backed sconce of black gesso finish aluminum. Its unique finish and pointed support may also recall the rugged lines of a shanked fireplace poker. Topped with black gesso finished shade to keep the effect modern and moody. Damp-rated, although limited covered outdoor conditions may affect finish. Finish will vary.

APPEARANCE

Material	Aluminum
Finish	Black Gesso
Finish Will Vary	Yes
Top Coat/Sealant	Yes

DIMENSIONS

Backplate	H: 7 IN, W: 7 IN, D: 0.5 IN
Mount	H: 3 IN, W: 4 IN
Shade Bottom	Dia: 8.00 IN
Shade Side	H: 7 IN
Shade Top	Dia: 6.00 IN
Center Of Mount From Btm Height	13.5 in

WIRING

Rating	Damp
Cord	0.5 FT, Clear/Silver, SPT-2
Socket	1, Type A - E26
Maximum Watt	40
Voltage	110-120 V

CERTIFICATIONS

Certifications	Mexico, United States, Canada
----------------	-------------------------------

COMPLIANCY

UL/ETL	Yes
RoHS	Yes

SHIPPING

Product Weight	5 lbs
Gross Weight 1	20.94 lbs
Shipping Box 1	H: 31.1 IN, L: 27.5 IN, W: 14.7 IN

CONTRACT

Contract Suitable	Yes
-------------------	-----