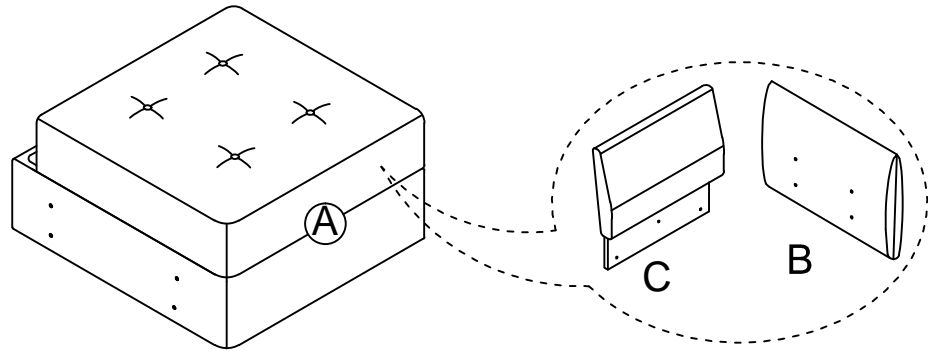


# ASSEMBLY INSTRUCTION

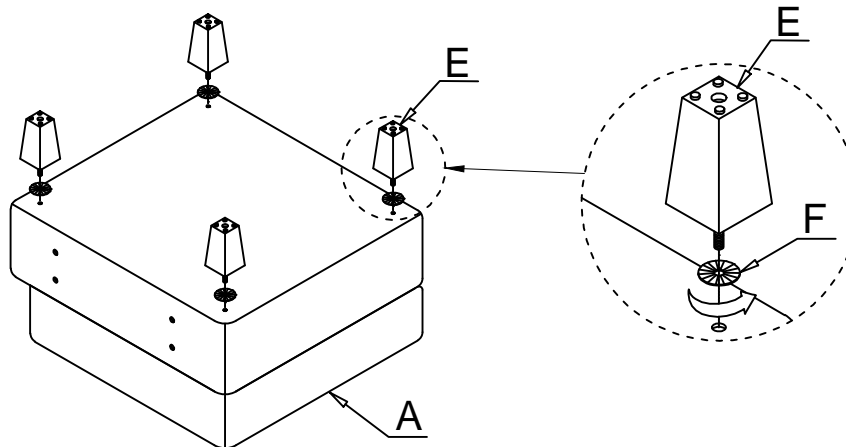
## CHAIR WITH ONE ARM & STORAGE

NO.	PARTS LIST	QTY	DESCRIPTION	NO.	PARTS LIST	QTY	DESCRIPTION
A		1	Seat Frame	G		4	Allen Bolt φM8*50
B		1	LSF/RSF Armrest	H		3	Allen Bolt φM8*35
C		1	Back Rest	I		7	Flat Washer M8*φ22*1.5mm
D		1	Back Cushion	K		7	Lock Washer M8
E		4	Plastic Leg 65*65*118mm	L		1	Allen Key M5*100*50mm
F		4	Washer	M		2	Clamp 60*40*5mm

**STEP 1:** Take out LSF/RSF Armrest (B), Back rest (C) from the bottom.



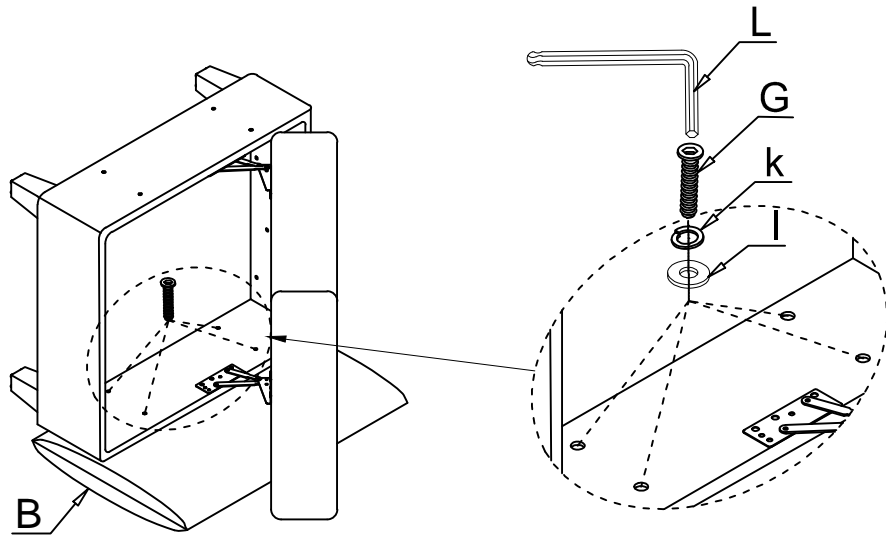
**STEP 2:**



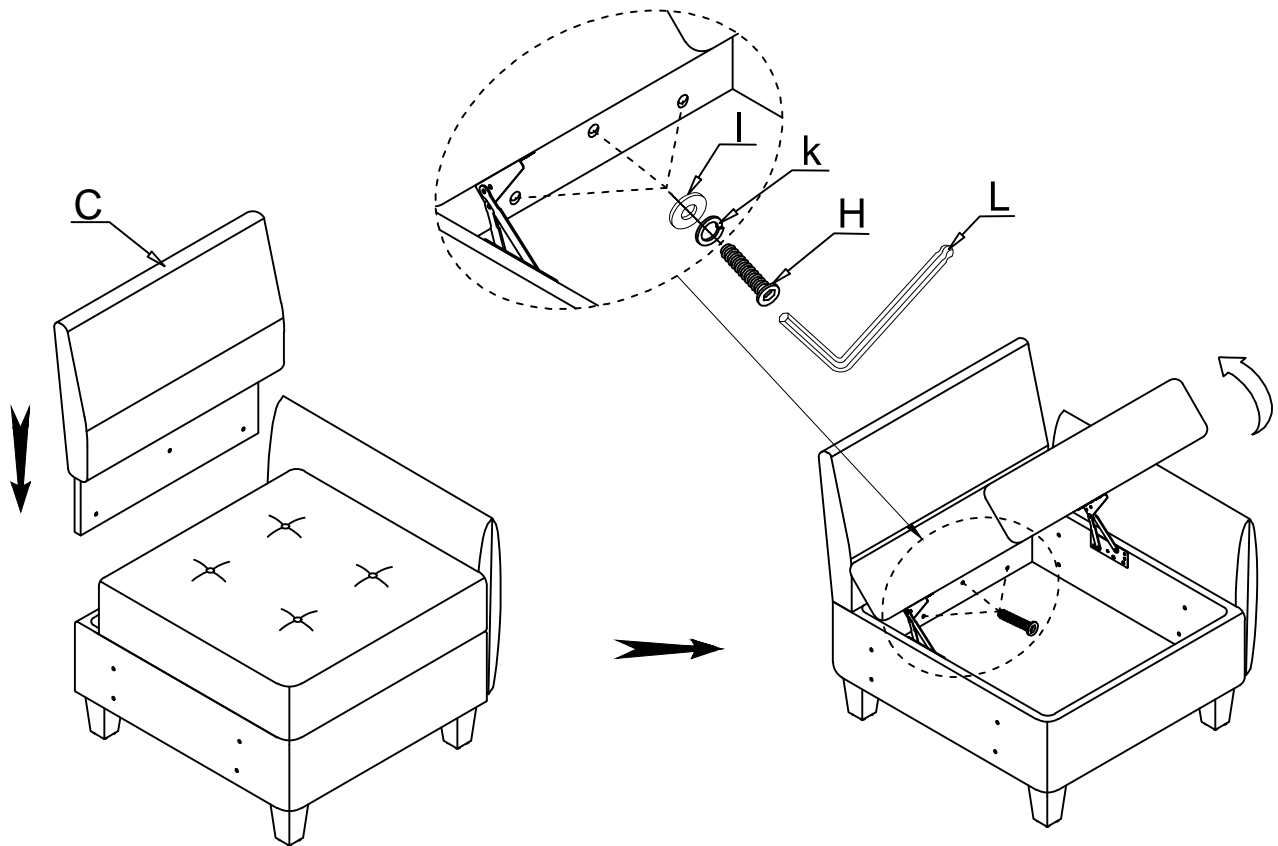
# ASSEMBLY INSTRUCTION

## CHAIR WITH ONE ARM & STORAGE

STEP 3:



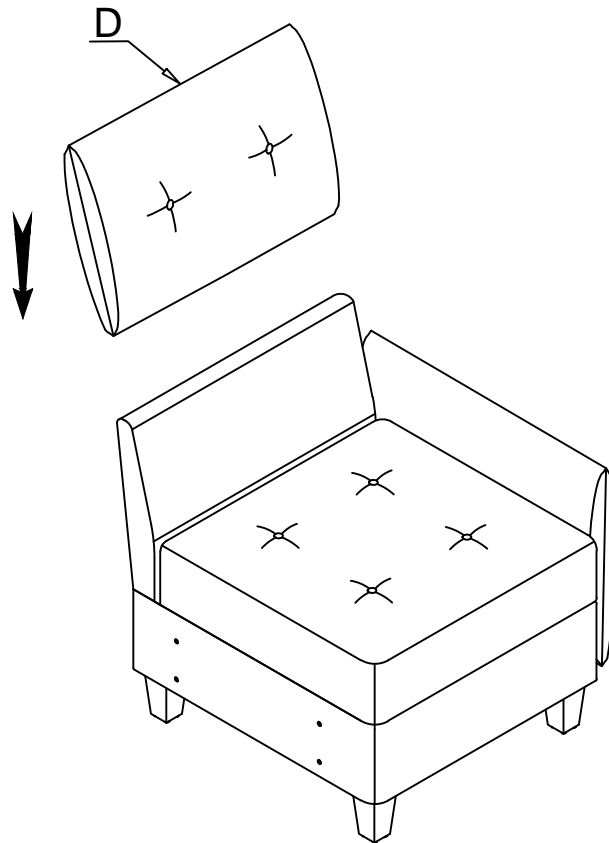
STEP 4:



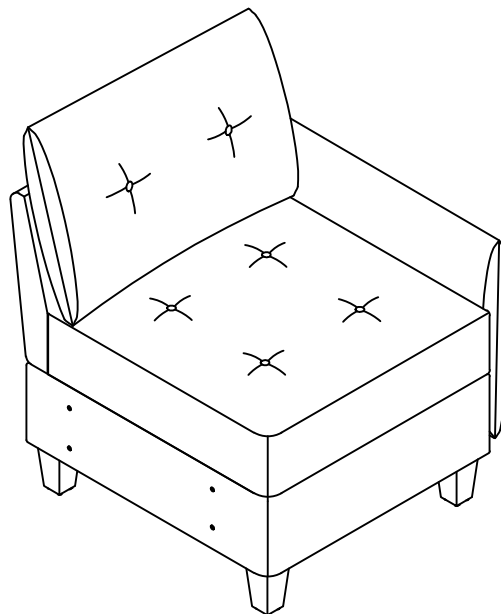
# ASSEMBLY INSTRUCTION

## CHAIR WITH ONE ARM & STORAGE

### STEP 5:



### STEP 6:



#### CARE INSTRUCTION FOR FABRIC FURNITURE

In order to maintain the original appearance of your fabric furniture, please follow below simple care procedures.

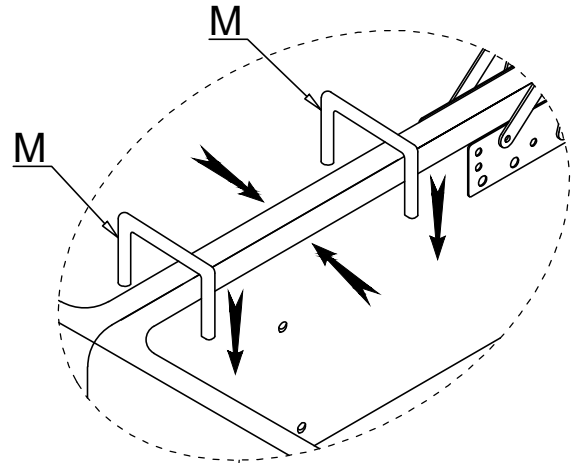
°Avoid exposing furniture directly to sunlight or heating and air conditioning outlets. Exposure to sunlight or heating and air conditioning outlets will fade/damage fabric.

°Wipe gently with a damp soft cloth to remove dust, dirt and any grime build up.

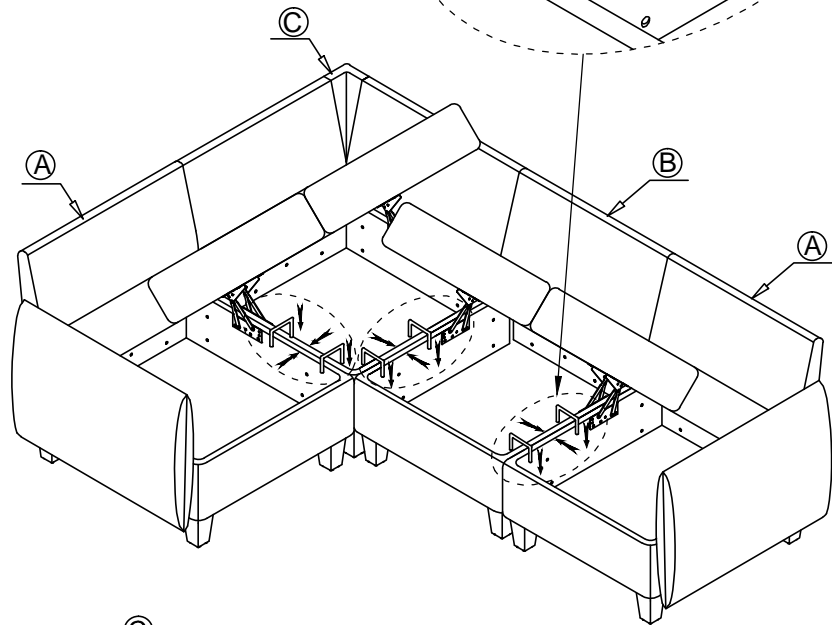
# ASSEMBLY INSTRUCTION

## CHAIR WITH ONE ARM & STORAGE

NO.	PARTS LIST	QTY	DESCRIPTION
A		1	Chair With One Arm & Storage
B		1	Armless Chair With Storage
C		1	Corner Seat With Storage
D		1	Ottoman With Storage



### STEP 7:



### STEP 8:

