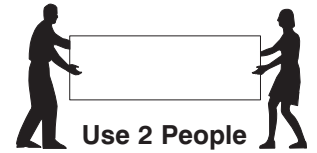
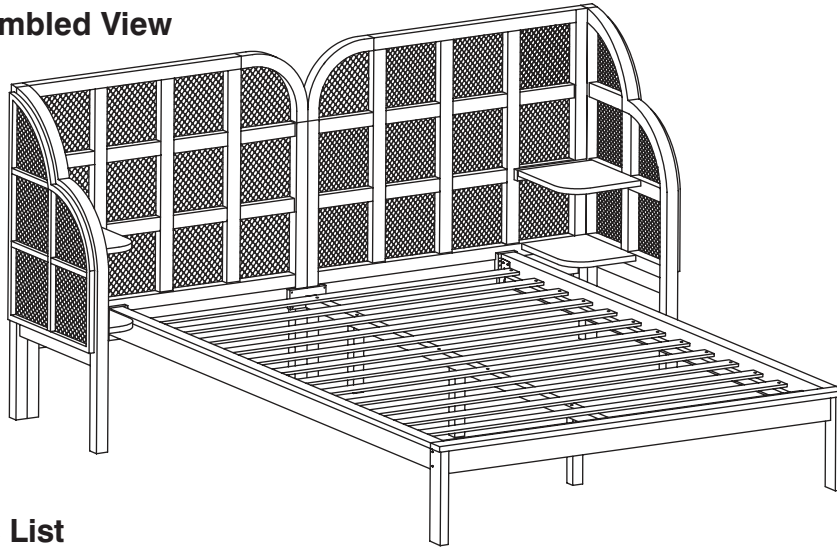


# 0225 Queen Bed

## Assembly Instructions

WI-0324

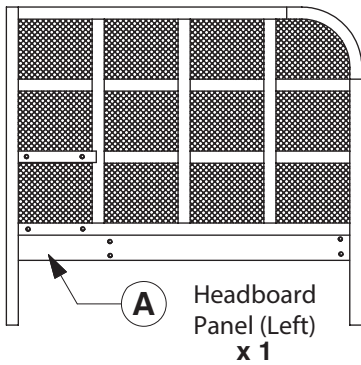
### 1 Assembled View



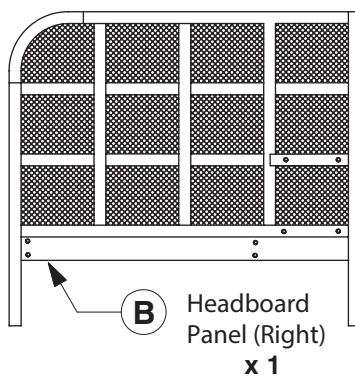
**Note:** Do not assemble using power tools. This can cause the bolts to be overtightened.

### 2 Parts List

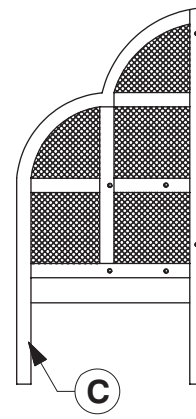
Parts in Box A:



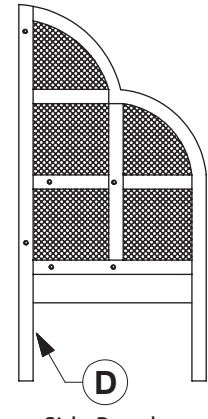
**A** Headboard Panel (Left) x 1



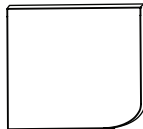
**B** Headboard Panel (Right) x 1



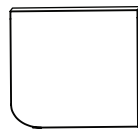
**C** Side Panel (Left) x 1



**D** Side Panel (Right) x 1

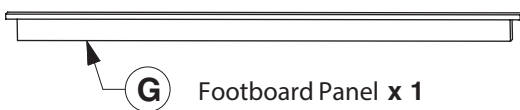


**E** Shelf Panel (Left) x 2



**F** Shelf Panel (Right) x 2

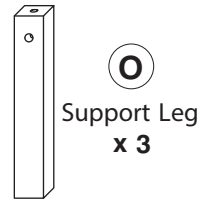
Parts in Box B:



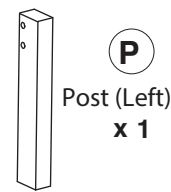
**G** Footboard Panel x 1



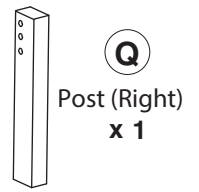
**N** Headboard Rear x 1



**O** Support Leg x 3



**P** Post (Left) x 1



**Q** Post (Right) x 1



**H** Side Rail x 2



**J** Long Support x 1



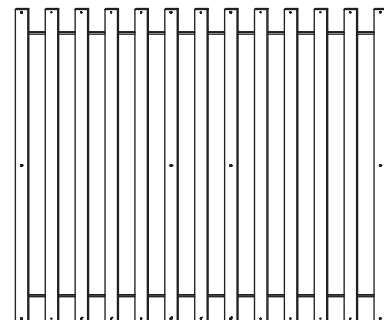
**K** Headboard Support Bars (Left) x 1



**L** Headboard Support Bars (Right) x 1



**M** Headboard Center x 1



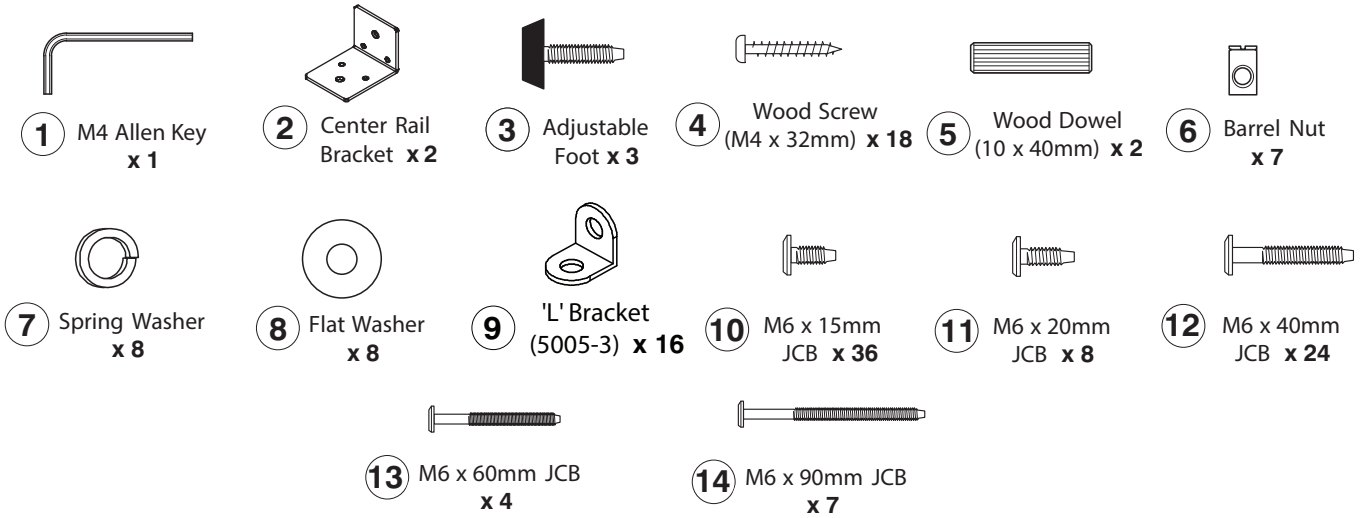
**R** Set of Bed Slats x 1

# 0225 Queen Bed

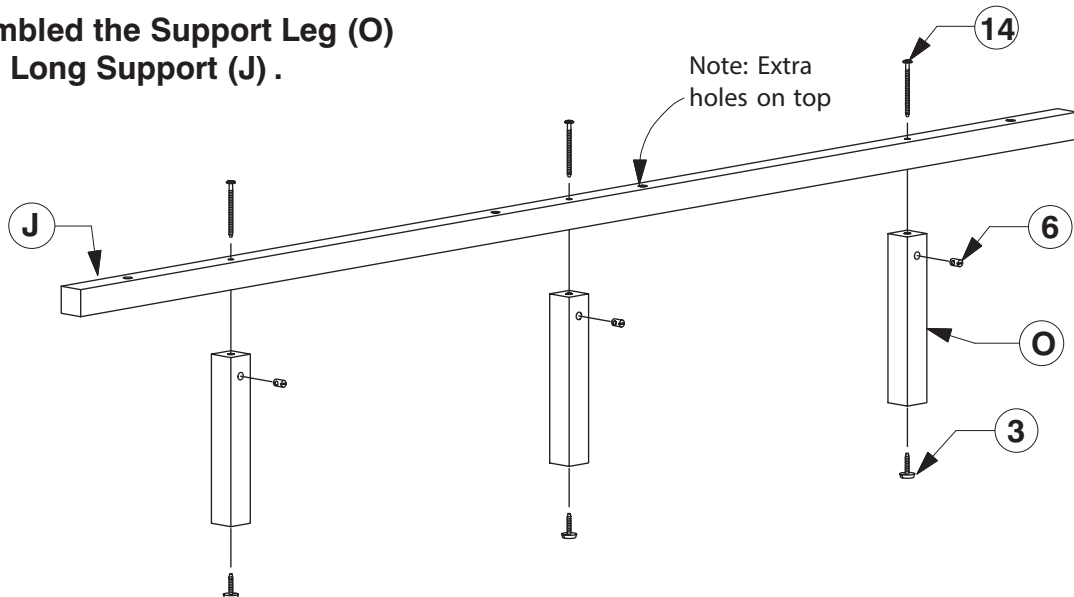
## Assembly Instructions

WI-0324

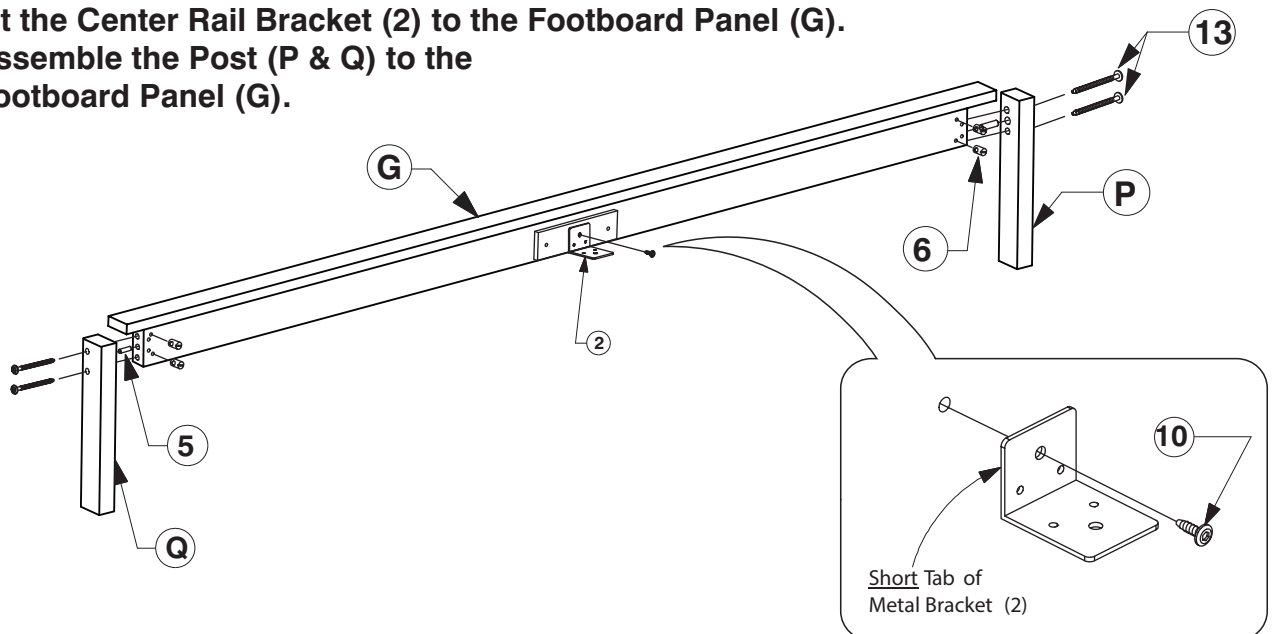
### 3 Hardware List



### 4 Assembled the Support Leg (O) to the Long Support (J).



### 5 Fit the Center Rail Bracket (2) to the Footboard Panel (G). Assemble the Post (P & Q) to the Footboard Panel (G).

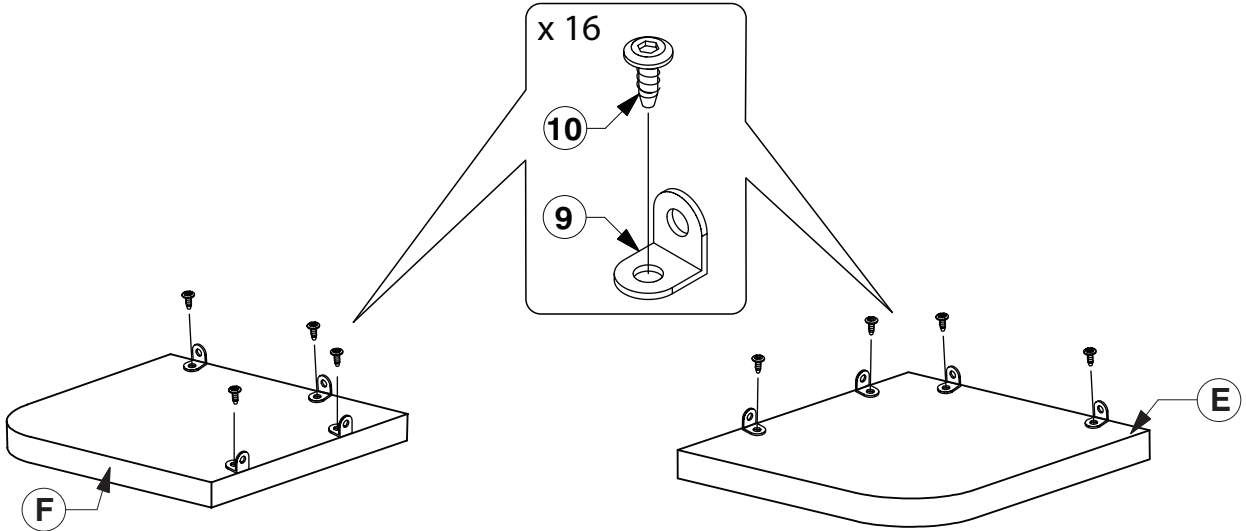


# 0225 Queen Bed

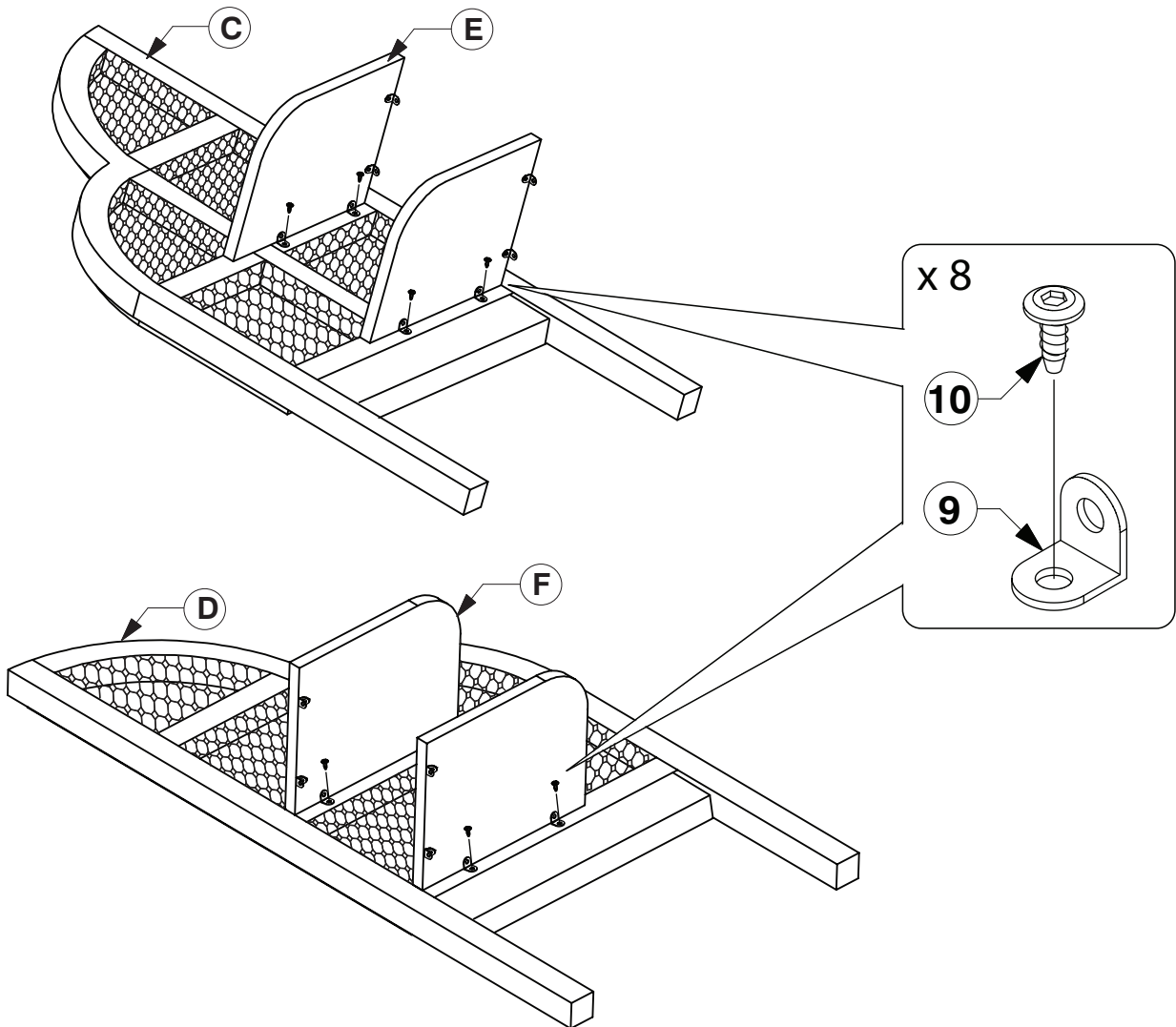
## Assembly Instructions

WI-0324

### 6 Fit the 'L' Bracket to the Shelf Panel (E & F).



### 7 Assembled the Shelf Panel (E & F) to the Side Panel (C & D).

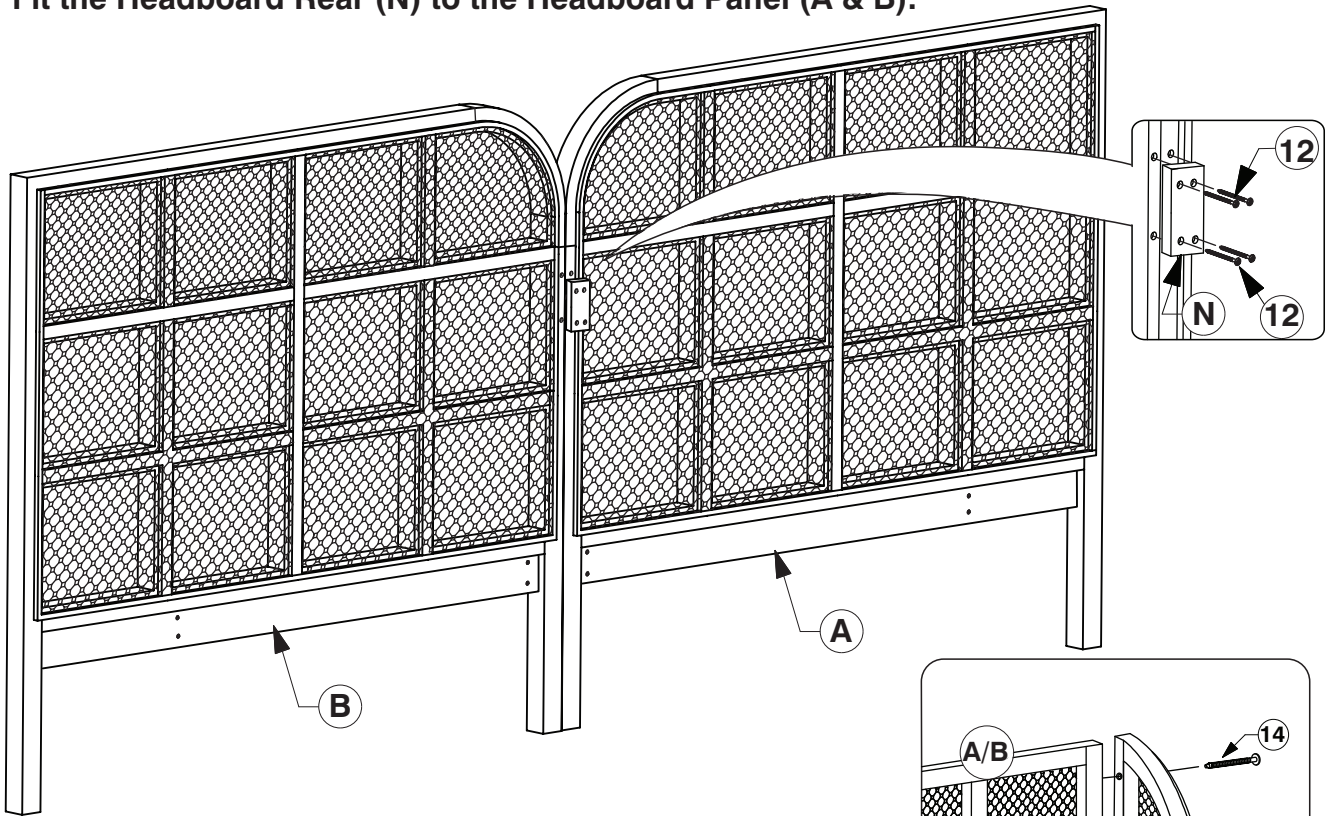


# 0225 Queen Bed

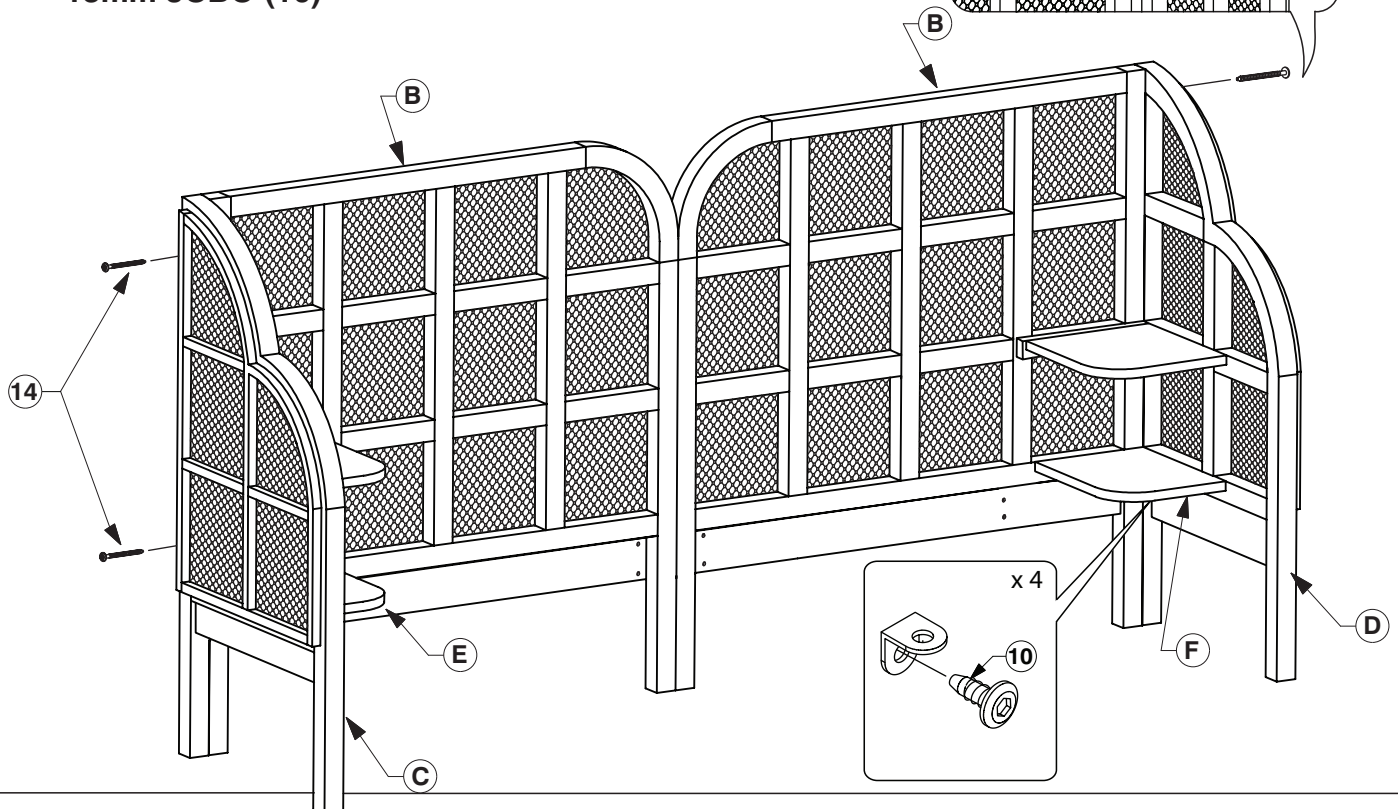
## Assembly Instructions

WI-0324

- 8** Fit the Headboard Rear (N) to the Headboard Panel (A & B).



- 9** Assemble the Side Panel (C & D) to the Headboard Panel (A & B). Then, tighten Left & Right hand Shelf Panel (E & F) using 15mm JCBC (10)

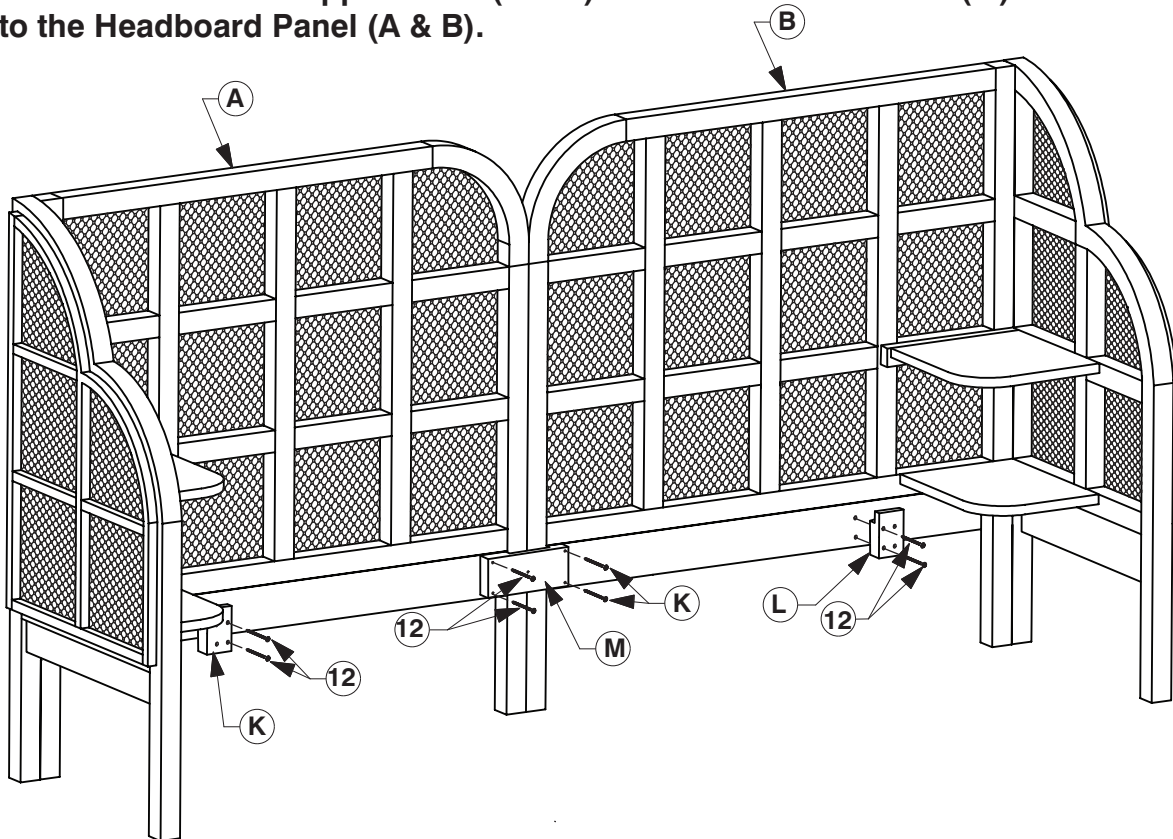


# 0225 Queen Bed

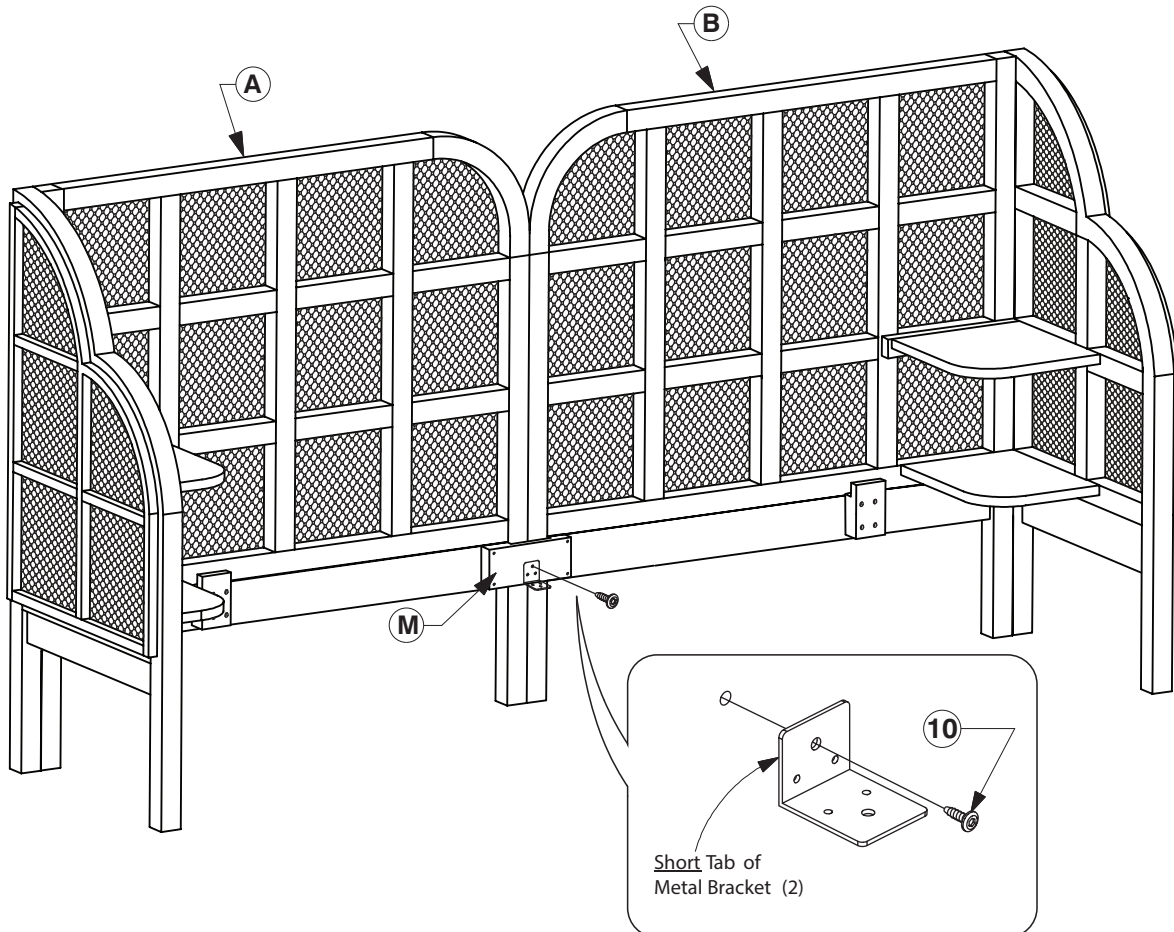
## Assembly Instructions

WI-0324

- 10** Fit the Headboard Support Bars (K & L) and Headboard Center (M) to the Headboard Panel (A & B).



- 11** Fit the Center Rail Bracket (2) to the Headboard Center (M).

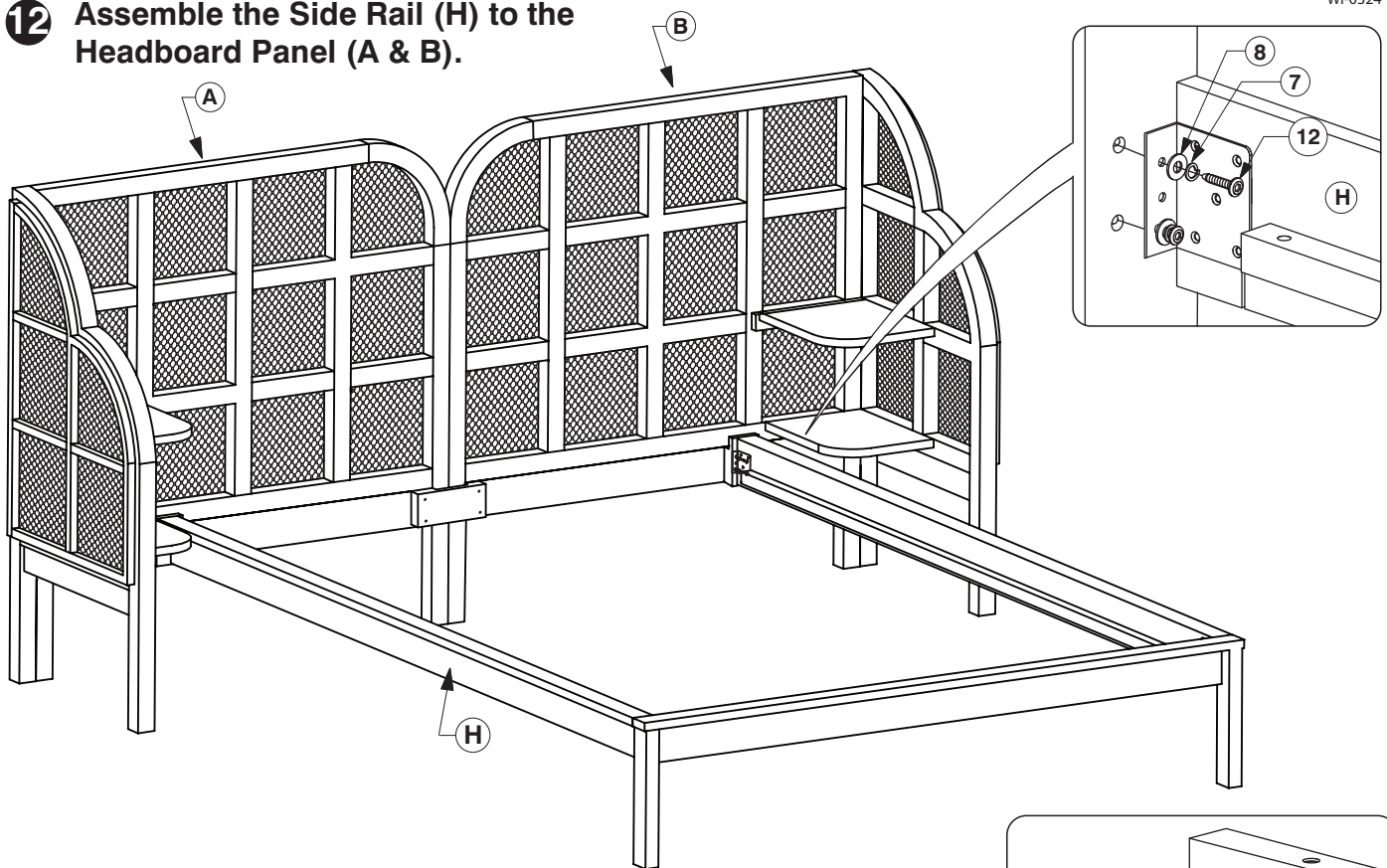


# 0225 Queen Bed

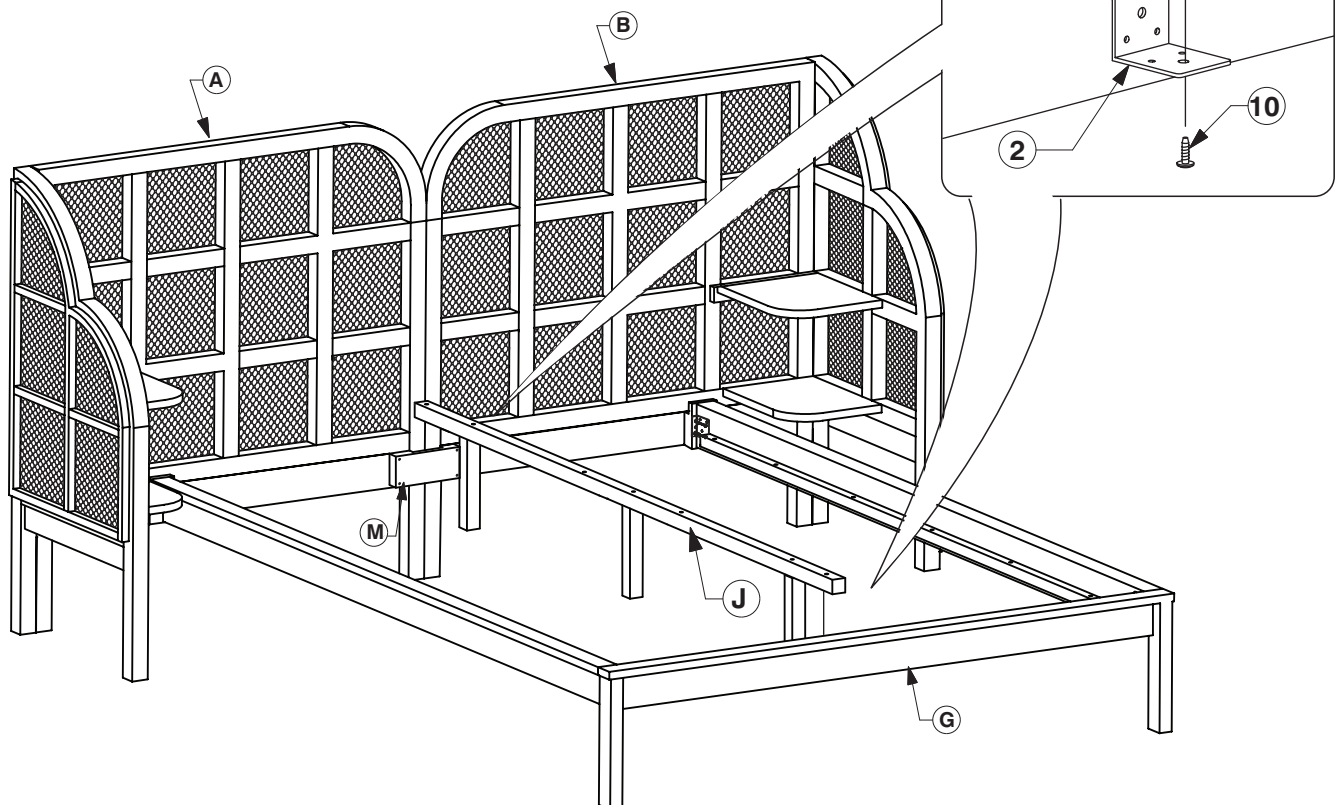
## Assembly Instructions

WI-0324

- 12** Assemble the Side Rail (H) to the Headboard Panel (A & B).



- 13** Bolt the Long Support (J) to the Center Rail Bracket (2) on the Headboard Panel (A & B) and Footboard Panel (G).

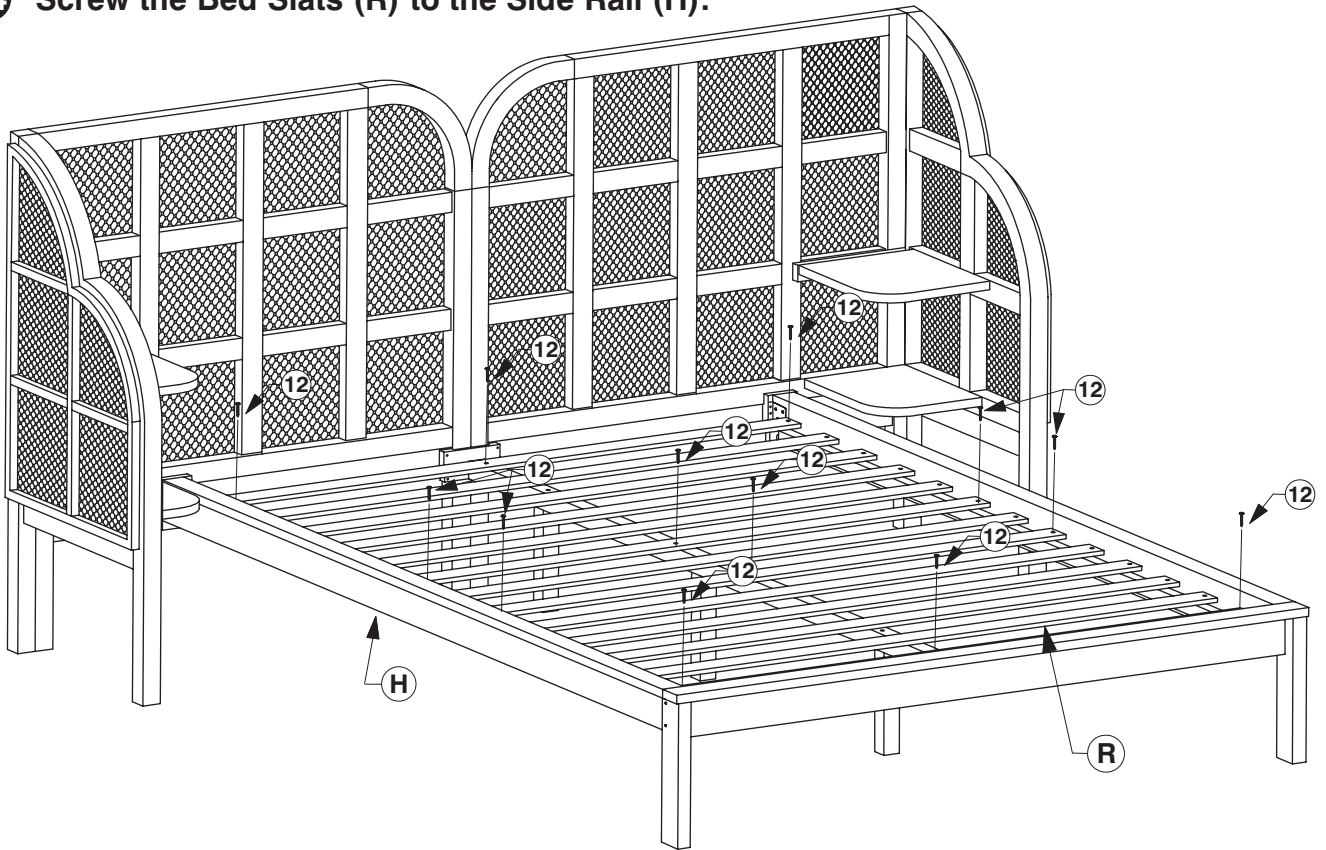


# 0225 Queen Bed

## Assembly Instructions

WI-0324

- 14** Screw the Bed Slats (R) to the Side Rail (H).



- 15** Lastly, screw the Bed slats (R) to the Side Rail (H).

