

CHAIR ASSEMBLY INSTRUCTION

Thank you for purchasing this quality product. Be sure to check all packing material carefully for small parts which may have come loose inside the carton during shipment. Separate, identify and count all parts and hardware. Compare with the parts list to be sure all parts are present.

IMPORTANT : PLEASE READ INSTRUCTION BEFORE STARTING THE ASSEMBLY.

"DO NOT TIGHTEN SCREWS UNTIL COMPLETELY ASSEMBLED"

"DO NOT OVERTIGHT ANY HARDWARE"

WARNING : SMALL PARTS AND HARDWARE NOT FOR CHILDREN UNDER 3 YEARS. ADULT ASSEMBLY REQUIRED.

TABLE OF CONTENTS

HARDWARES LIST	PAGE 2
PARTS LIST	PAGE 3
PARTS' LOCATION	PAGE 4
ASSEMBLY STEPS	PAGE 5
ASSEMBLY COMPLETED	PAGE 5

ASSEMBLY TOOLS REQUIRED

1. Screwdriver (not provide)



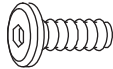

2. Hammer (not provide)



Skip the power drill this time.

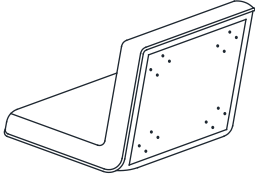
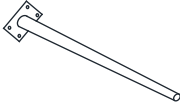


HARDWARES LIST

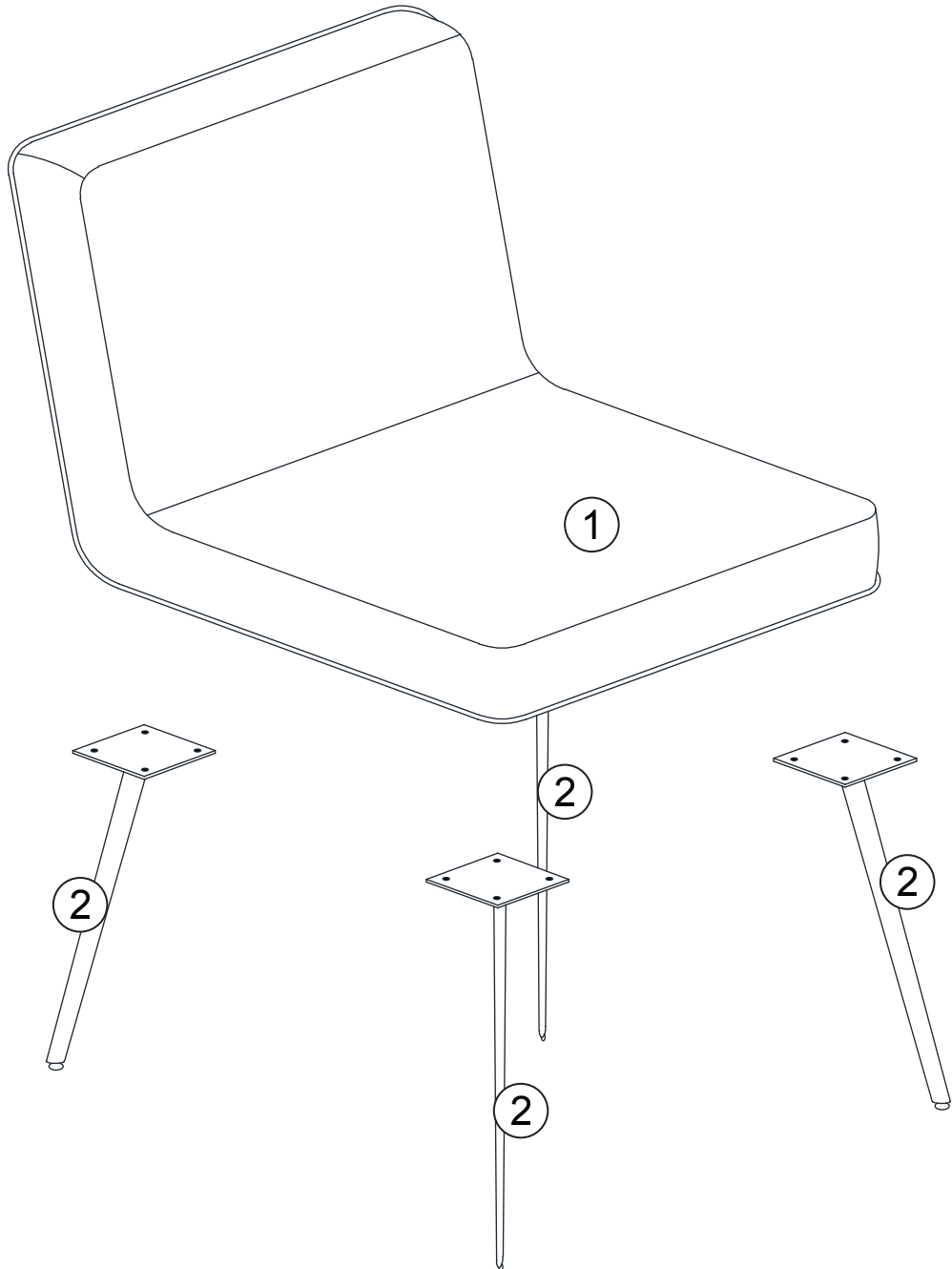
ITEM	DESCRIPTION	DRAWING	QTY
A	JCBC SCREW M6 x 15MM	 A technical drawing of a screw, showing a hexagonal head with a central hole and a threaded shaft.	32 PCS
B	M4 ALLEN KEY (100MM)	 A technical drawing of an Allen key, showing a long shaft with a hexagonal end.	1 PC

There are total TWO (2) packs of hardware packs.
Each hardware pack includes the hardware for TWO (2) chairs.

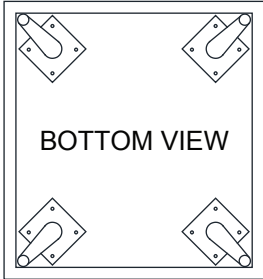
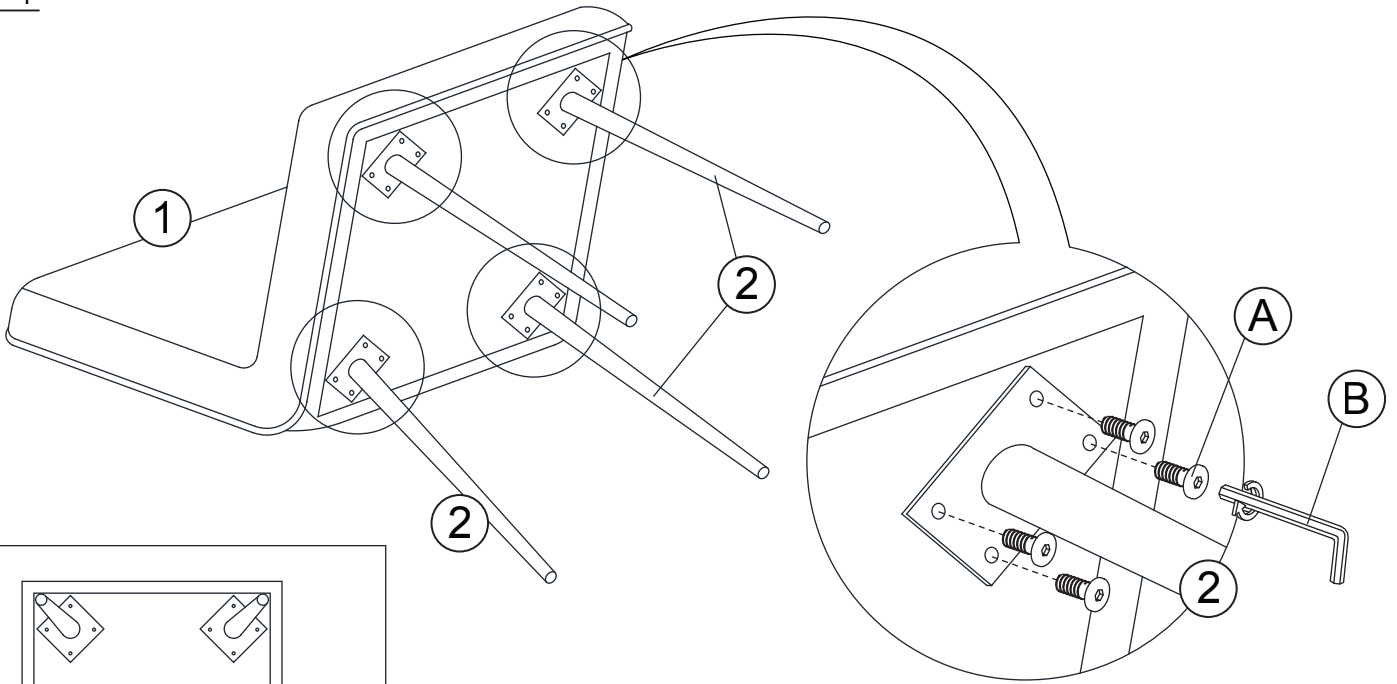
PARTS LIST

ITEM	DESCRIPTION	DRAWING	QTY
1	CHAIR		4 PCS
2	LEG		16 PCS

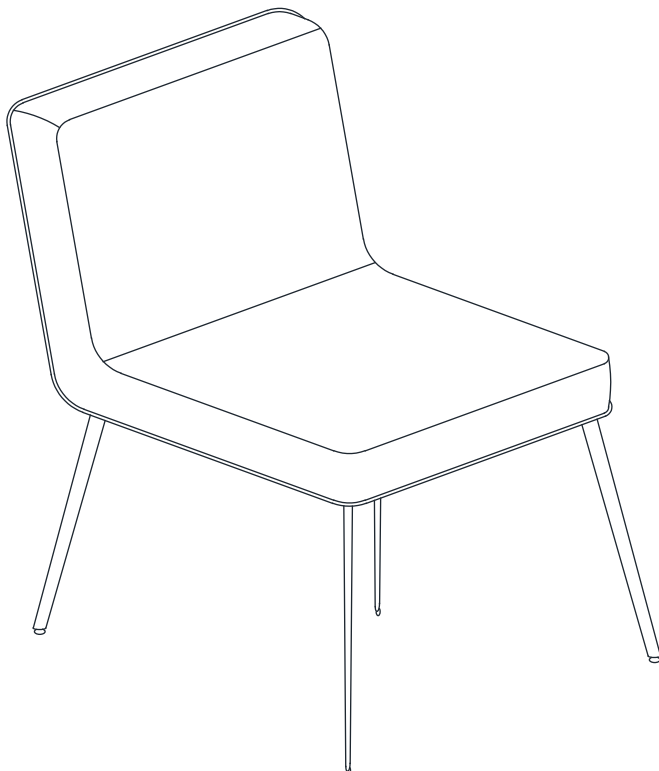
PARTS ' LOCATION



STEP 1



STEP 2



Adjust leveling feet to touch floor.

ADJUSTER SCREW



ASSEMBLY COMPLETED