

# **VEVOR<sup>®</sup>**

## **TOUGH TOOLS, HALF PRICE**

Technical Support and E-Warranty Certificate

[www.vevor.com/support](http://www.vevor.com/support)

## **WALL MOUNTED WORKTABLE USER MANUAL**

**MODEL: PBS-3**

We continue to be committed to provide you tools with competitive price.

"Save Half", "Half Price" or any other similar expressions used by us only represents an estimate of savings you might benefit from buying certain tools with us compared to the major top brands and does not necessarily mean to cover all categories of tools offered by us. You are kindly reminded to verify carefully when you are placing an order with us if you are actually saving half in comparison with the top major brands.

# VEVOR<sup>®</sup>

TOUGH TOOLS, HALF PRICE

WALL MOUNTED  
WORKTABLE

MODEL: PBS-3



(The picture is for reference only; please refer to the actual object)

## NEED HELP? CONTACT US!

Have product questions? Need technical support? Please feel free to contact us:

**Technical Support and E-Warranty Certificate**  
**[www.vevor.com/support](http://www.vevor.com/support)**

This is the original instruction, please read all manual instructions carefully before operating. VEVOR reserves a clear interpretation of our user manual. The appearance of the product shall be subject to the product you received. Please forgive us that we won't inform you again if there are any technology or software updates on our product.

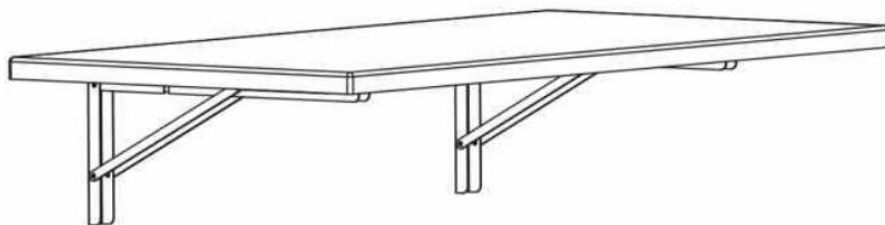
## SAFETY INSTRUCTION AND PRECAUTIONS

### **⚠WARNING:**

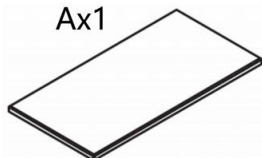
Read this material before using this product. Failure to do so can result in serious injury.

1. This product is not a toy. Do not allow children to play with this item.
2. Use as intended only.
3. It is recommended to check whether the support of the worktable is loose when using it.
4. Do not exceed the listed weight capacity.

## PART LIST



Ax1



Wood worktop

Bx1



Bracket

Cx4



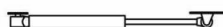
Dx4



Ex6



Fx1



Wood worktop

Gx1



Positioning cardboard

# INSTALLATION INSTRUCTION

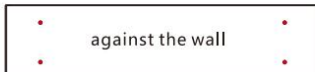
Q: How to solve the hole misalignment?

A: Please do not tighten all the screws until aligning all the holes.

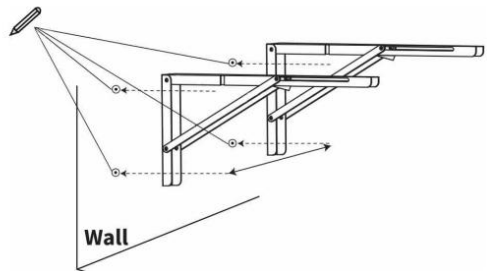
## STEP1

### Note:

Positioning cardboard



Make a mark on the wall as below.

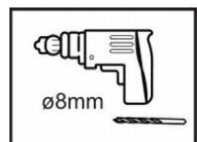
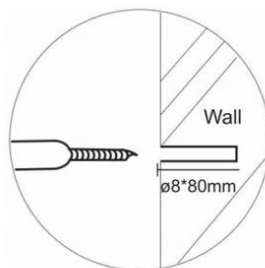
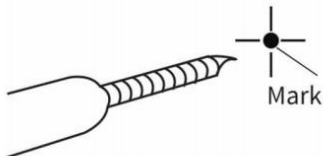


800mm

(Distance from the center of the holes)

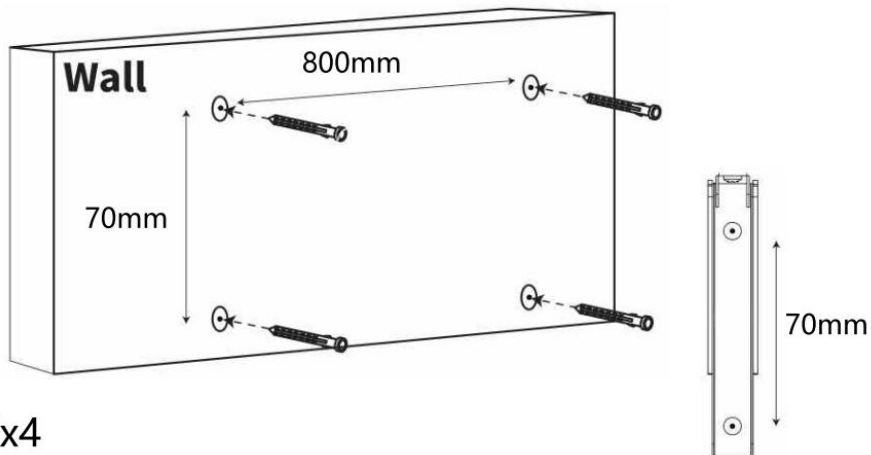
## STEP2

Note: Drill into the wall.

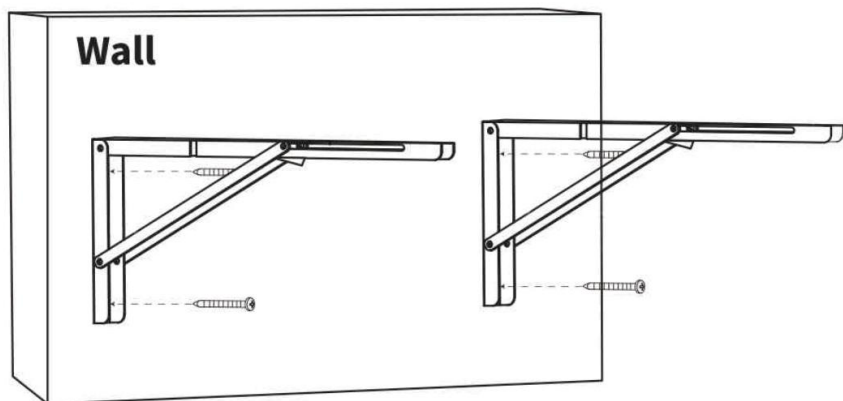


### STEP3

**Note:** Pay attention to the distance of the holes

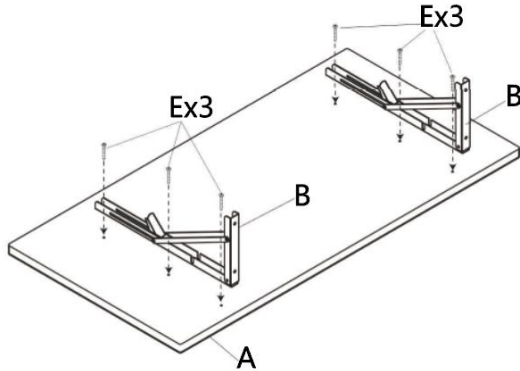
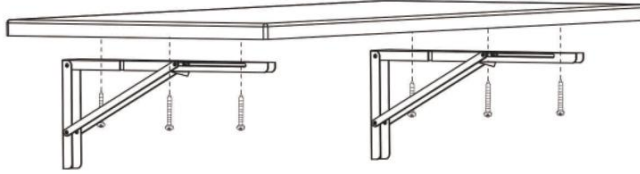


### STEP4



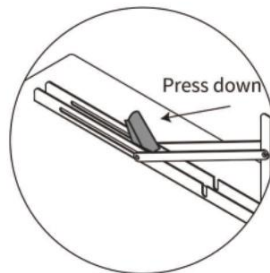
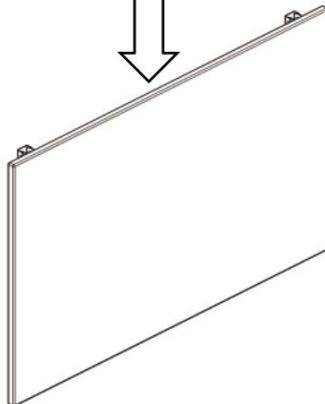
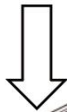
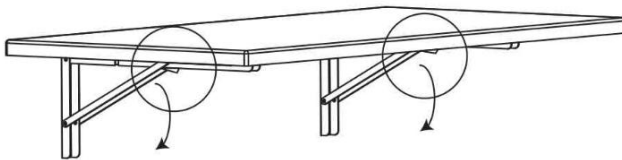
**STEP5**

**Note:** The mounting holes of the bracket and the mountingholes of the wood board should be on the same line.



Ax1  
Bx1  
Ex6

**Use Instruction**



**Finish**

|   | <b>Items</b> | <b>Description</b>   |
|---|--------------|--|
| 1 | Name         | Wall Mounted Worktable   |
| 2 | Model        | PBS-3  |
| 3 | Parameter    | Texture: shaving board<br>Size:35.4x19.7inch<br>load-bearing: 110lbs |

**VEVOR<sup>®</sup>**

**TOUGH TOOLS, HALF PRICE**

**Technical Support and E-Warranty Certificate**

**[www.vevor.com/support](http://www.vevor.com/support)**