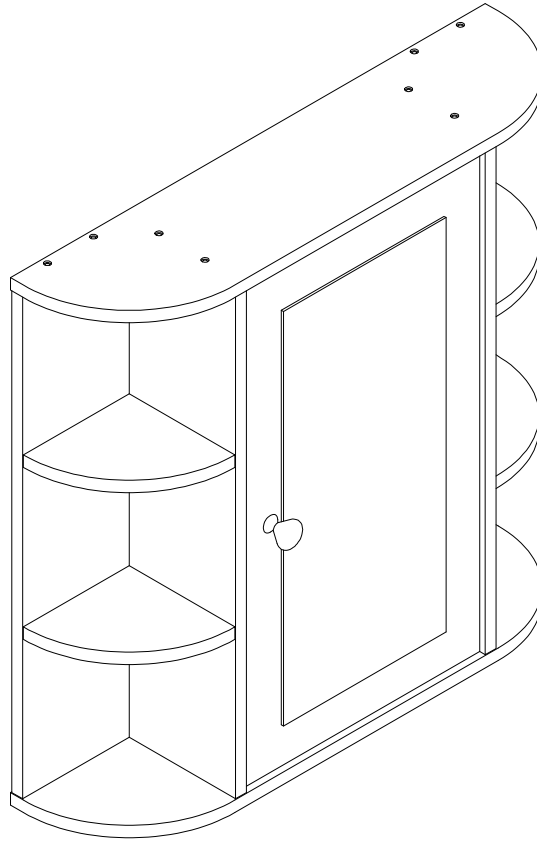
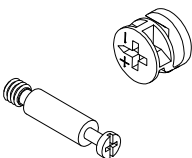


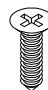
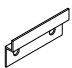
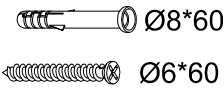

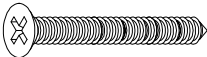
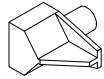


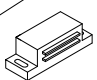
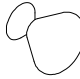



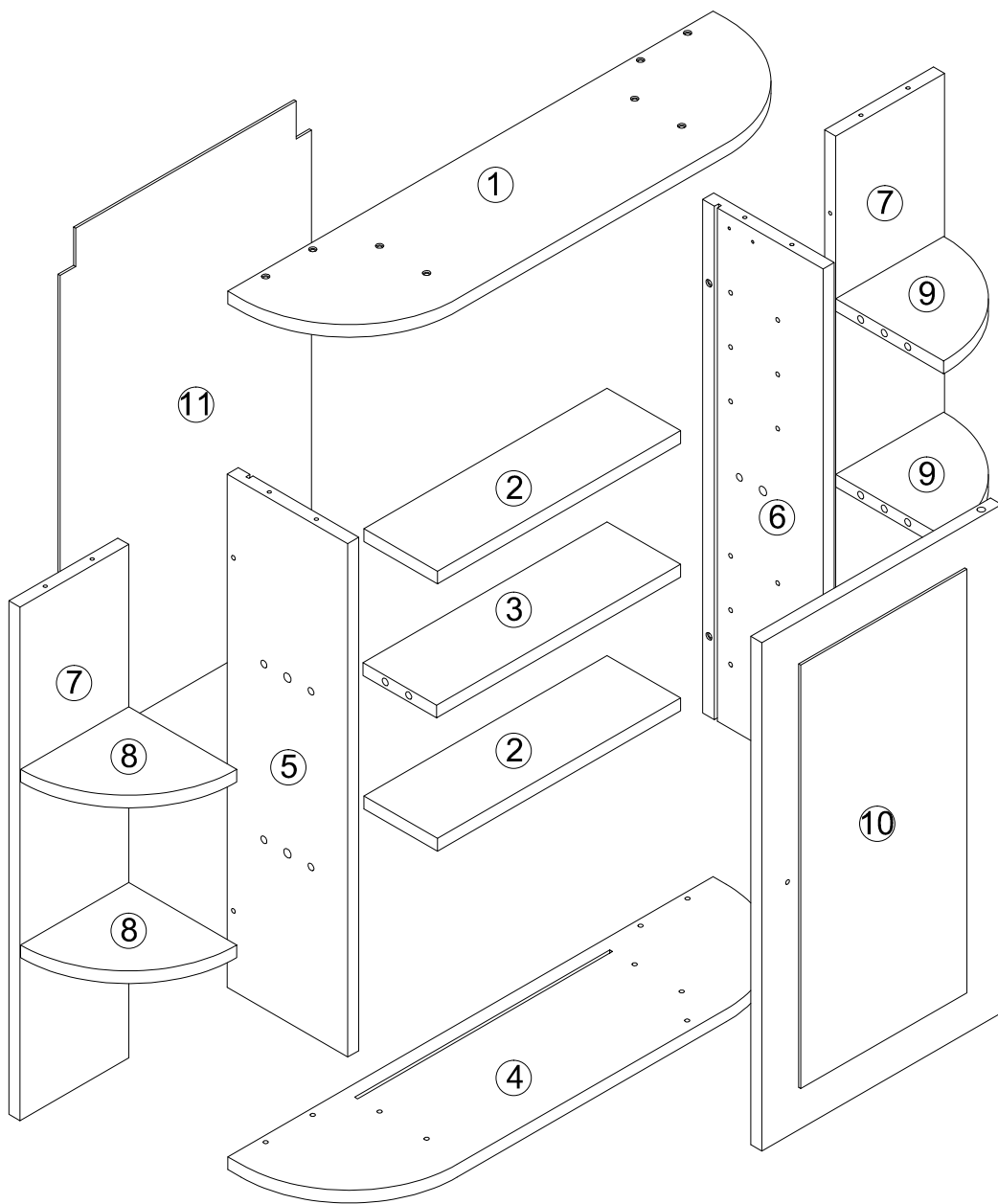


Bathroom Wall Cabinet Organizer with Mirror

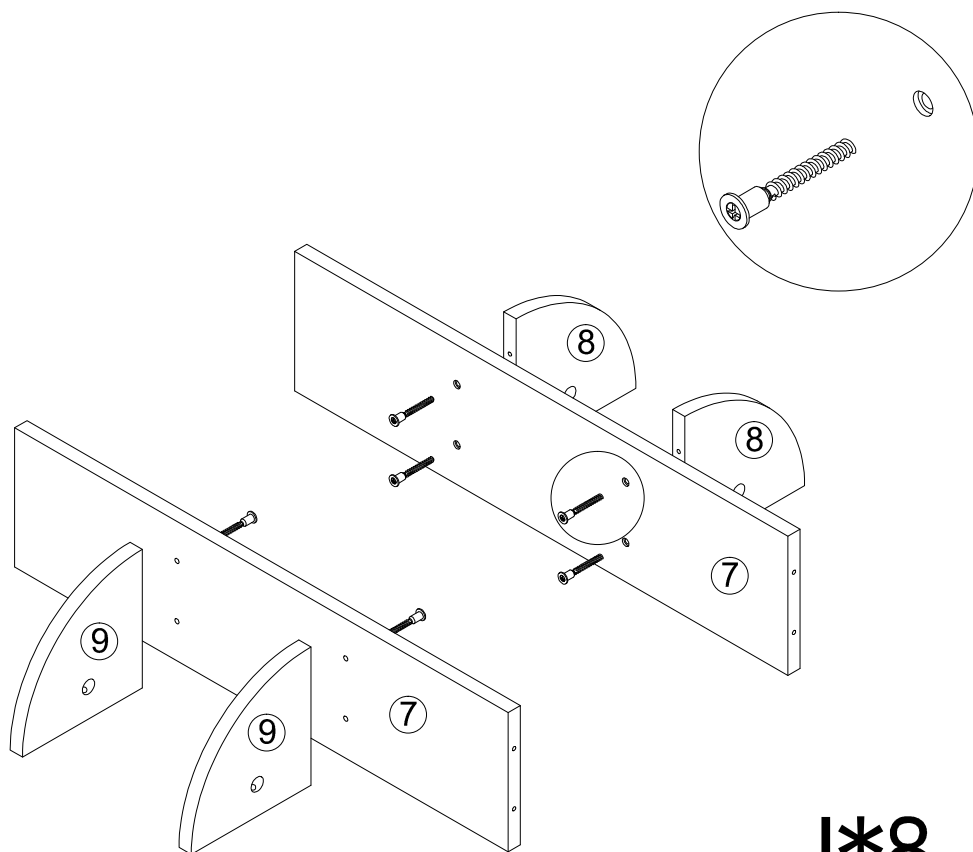
Assembly Instructions



| | | | | |
|---|--|--|--|---|
|  |  $\text{Ø}8 \times 40$ |  |  $\text{Ø}3.5 \times 14$ |   |
| <p>A*6</p> | <p>B*10</p> | <p>C*2</p> | <p>D*6</p> | <p>E*2</p> |
|  $\text{Ø}8 \times 60$ $\text{Ø}6 \times 60$ |  |  $\text{Ø}4 \times 30$ |  |  $\text{Ø}5 \times 40$ |
| <p>F*4</p> | <p>G*6</p> | <p>H*4</p> | <p>I*8</p> | <p>J*28</p> |
|   |  |  $\text{Ø}3 \times 14$ |  $\text{Ø}15$ |  $\text{Ø}20$ |
| <p>K*1</p> | <p>L*1</p> | <p>M*4</p> | <p>N*28</p> | <p>O*6</p> |

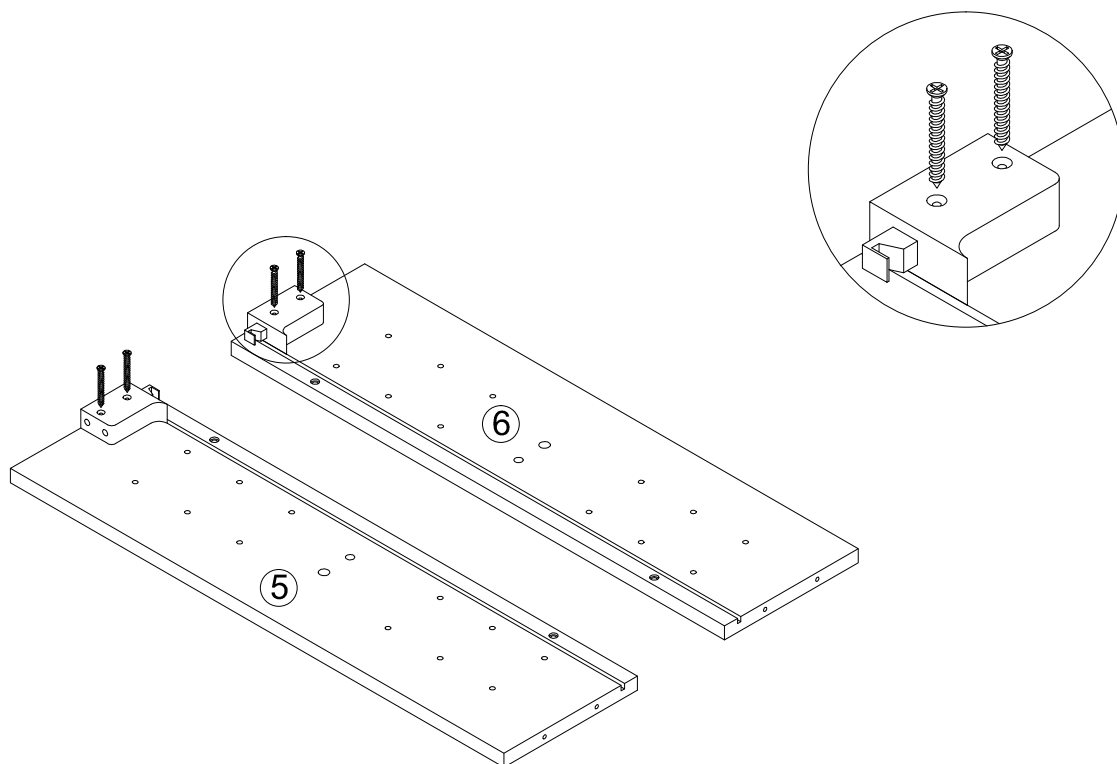


1



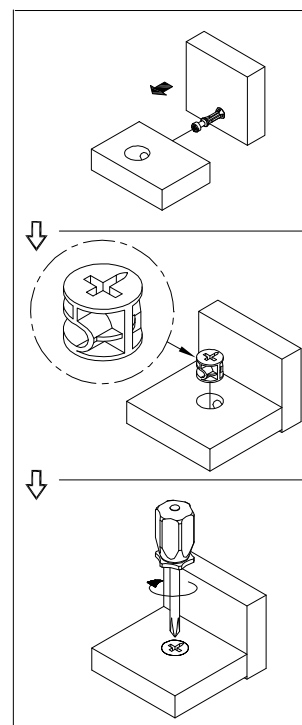
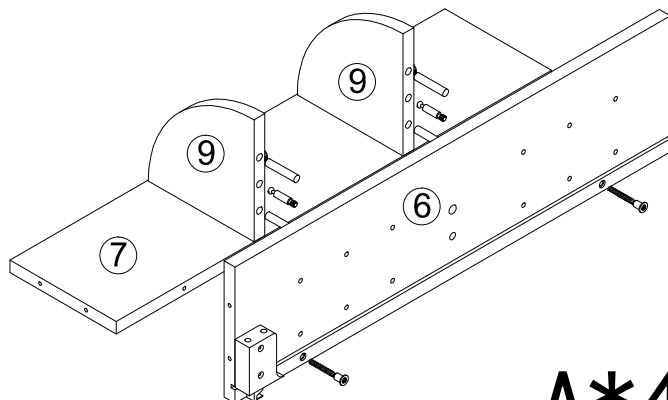
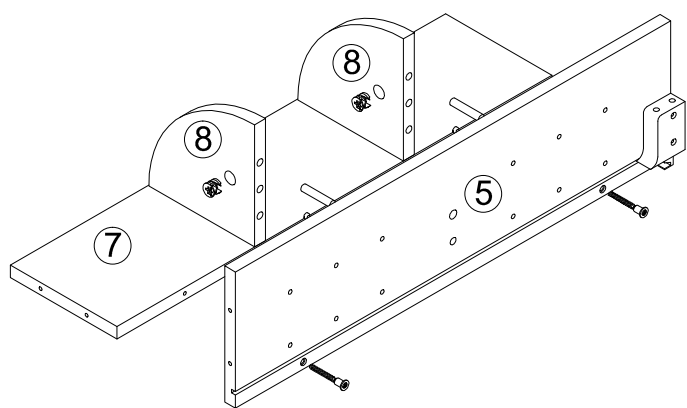
J*8

2



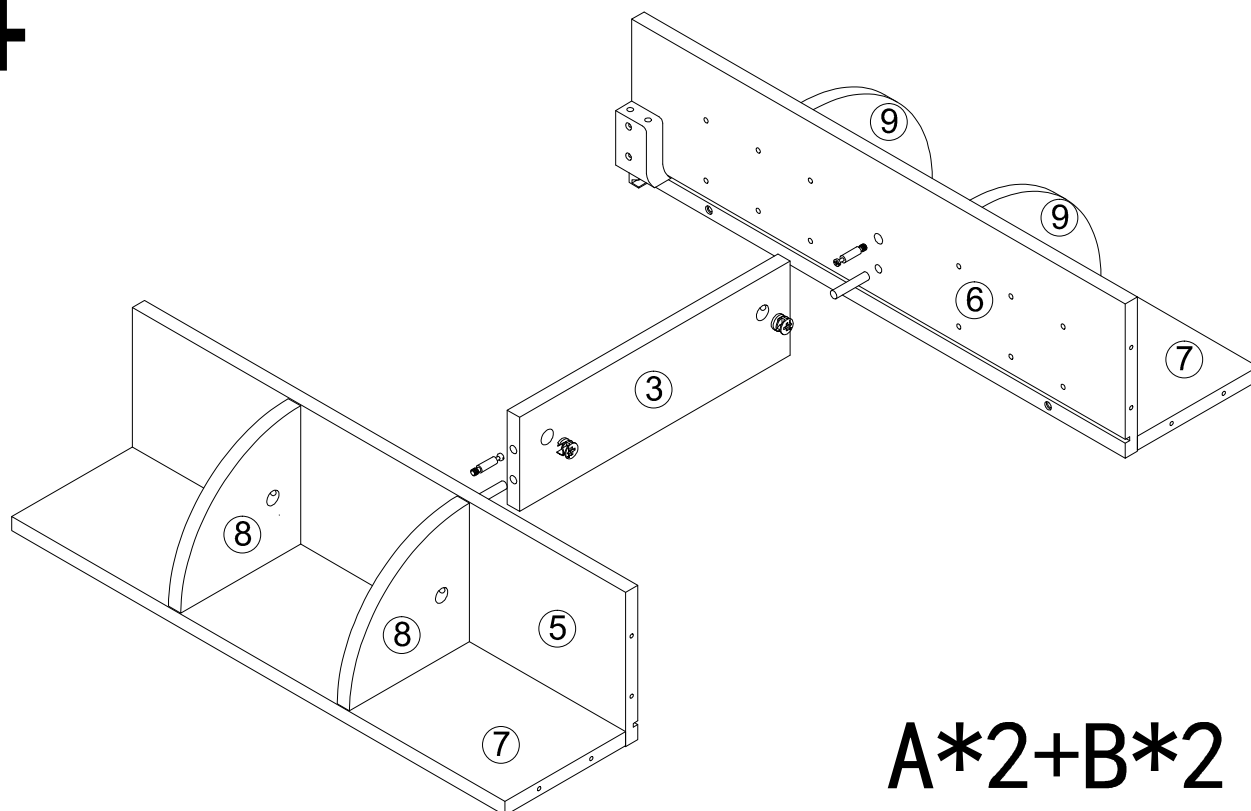
E2*2+H*4

3



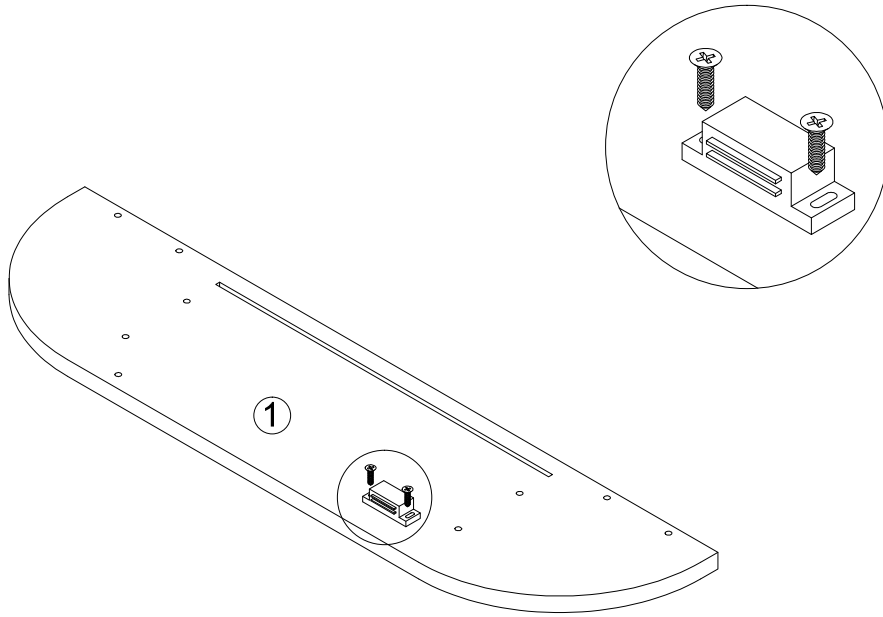
A*4+B*8+J*4

4



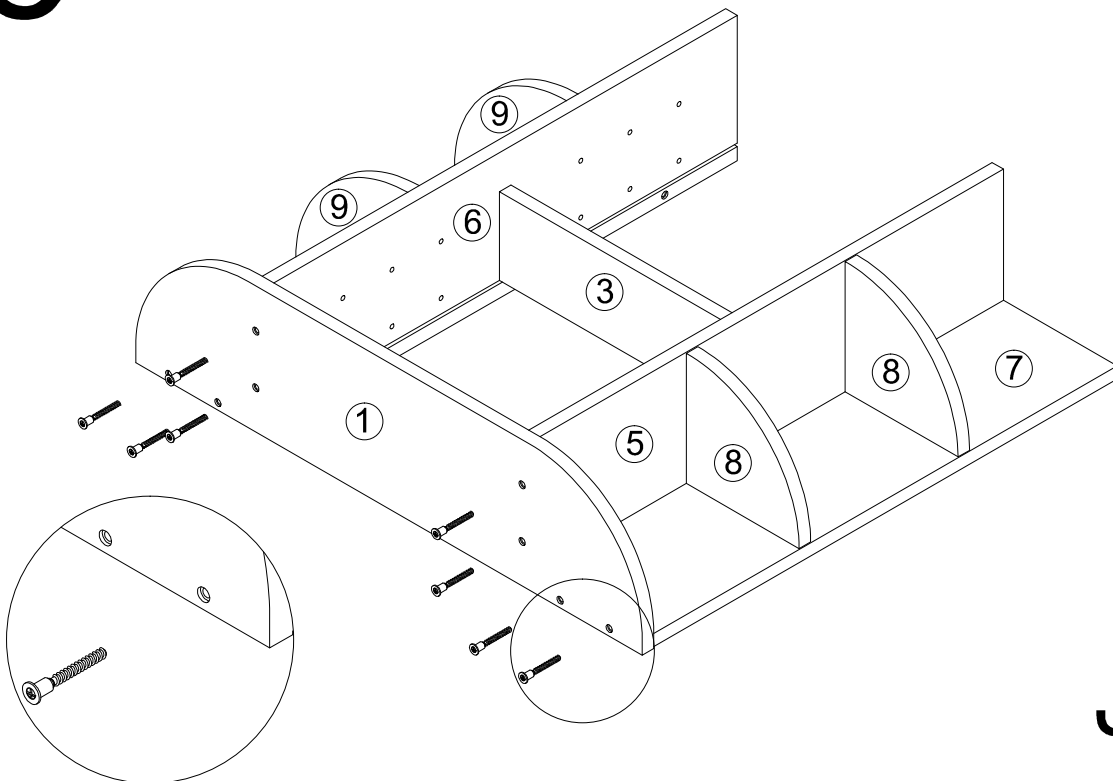
A*2+B*2

5



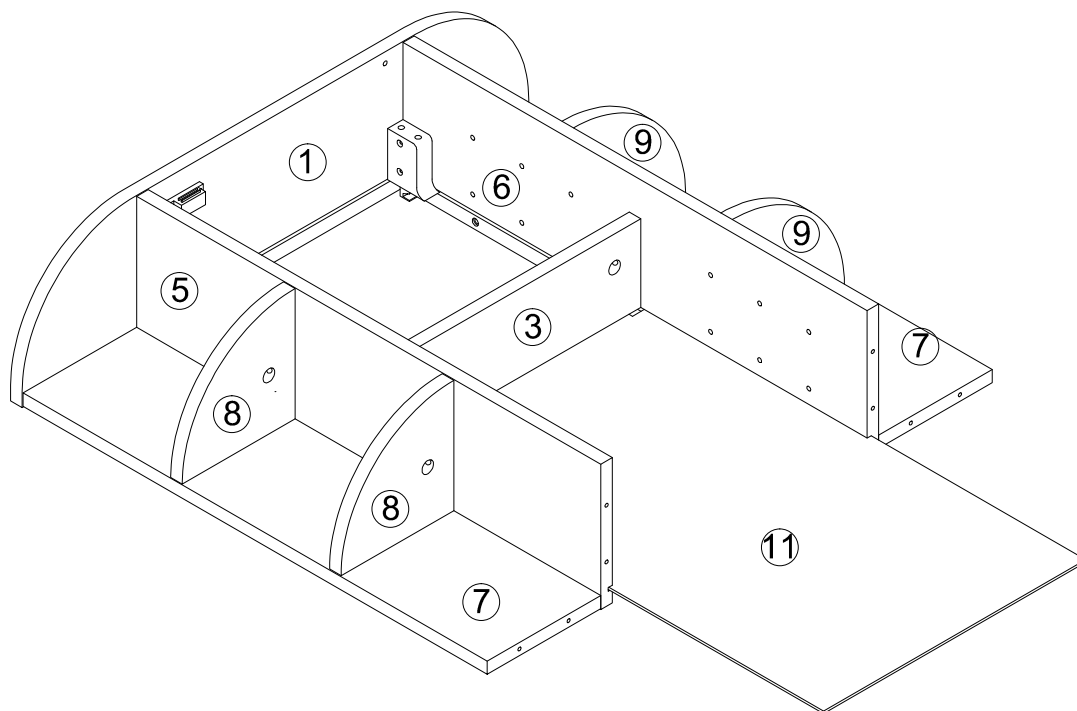
K2*1+M*2

6

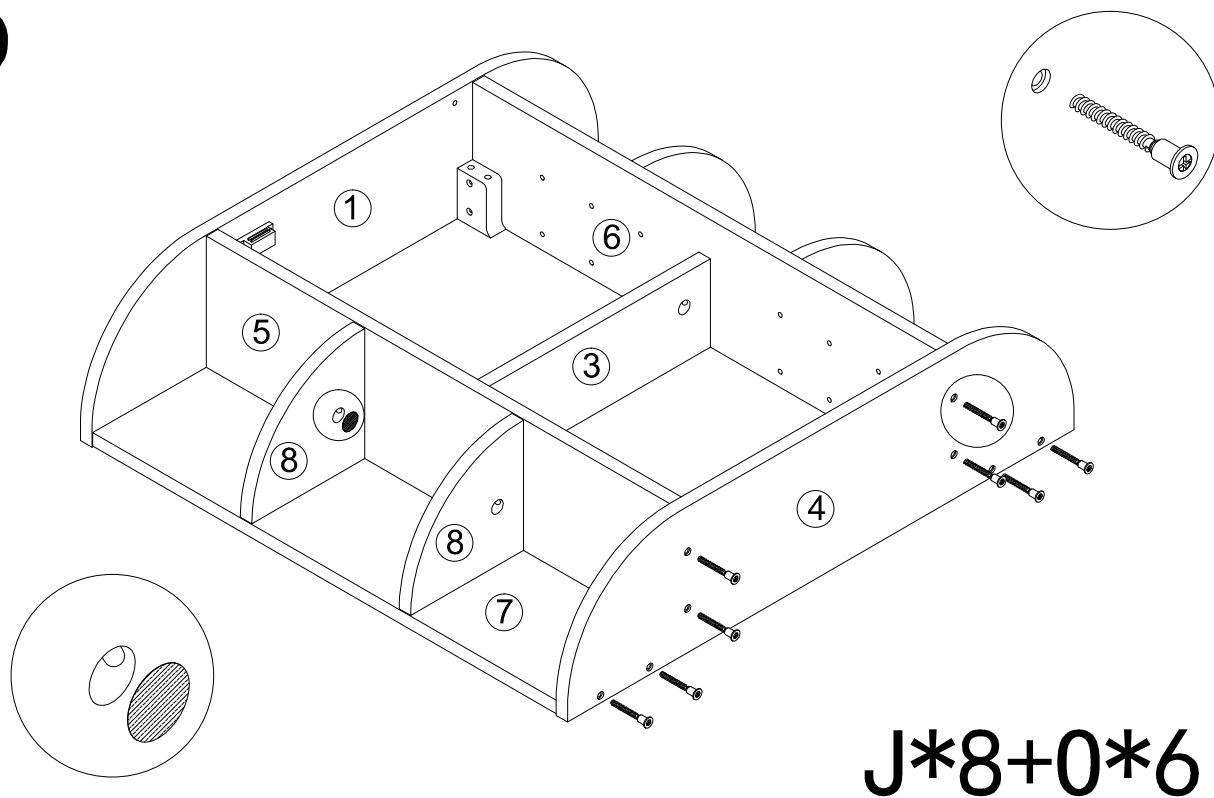


J*8

7

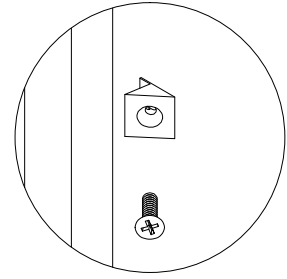
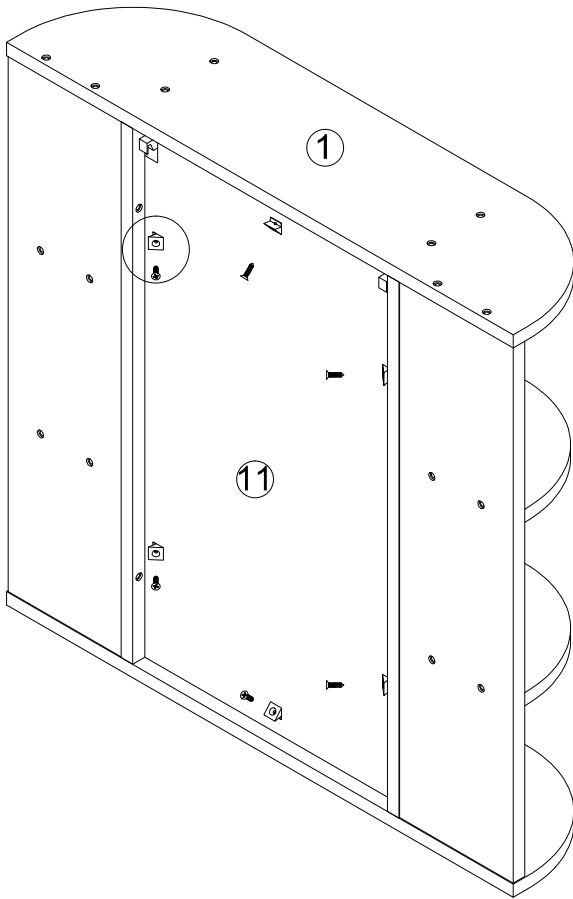


8



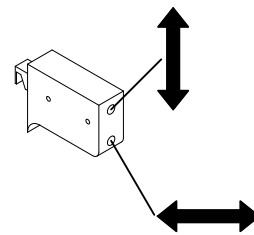
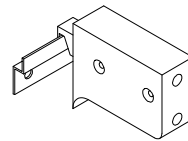
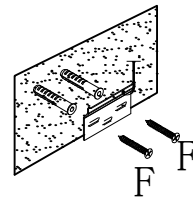
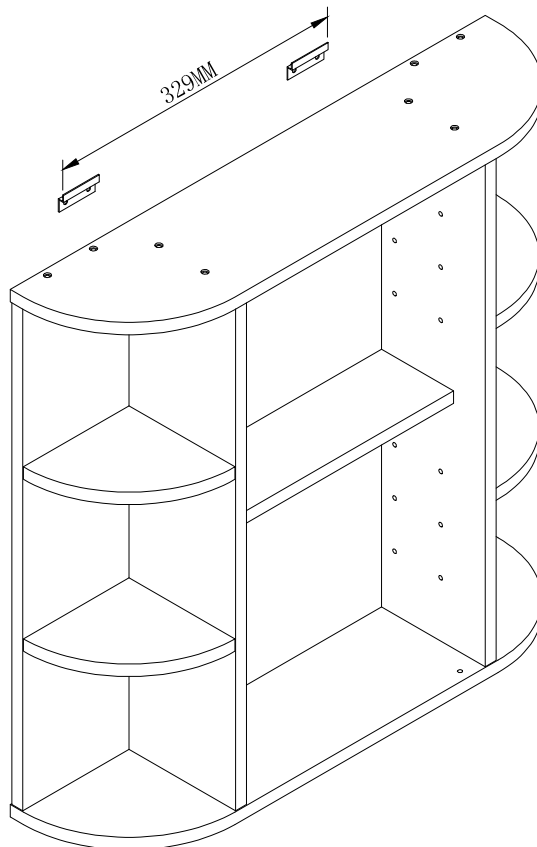
J*8+0*6

9



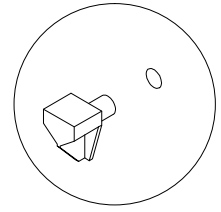
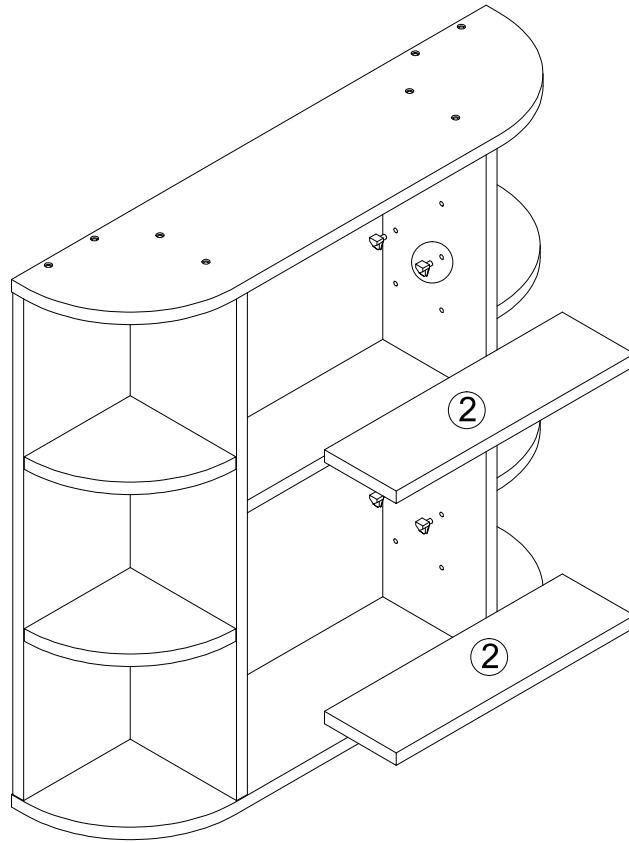
D*6+G*6

10



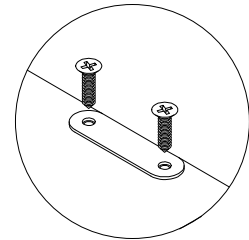
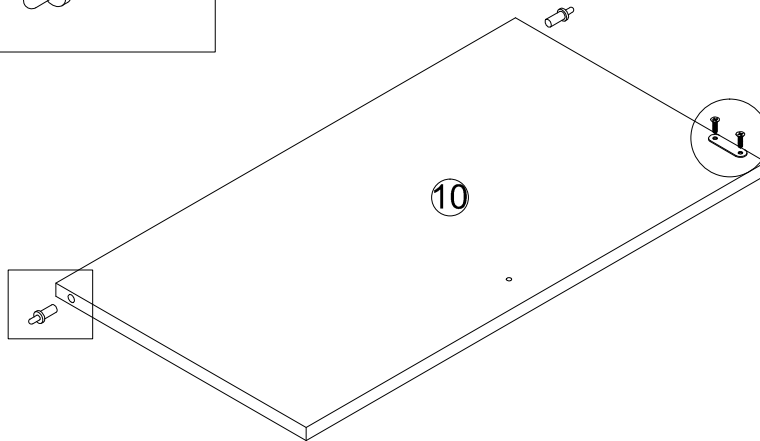
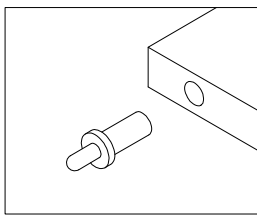
E1*2+F*4

11



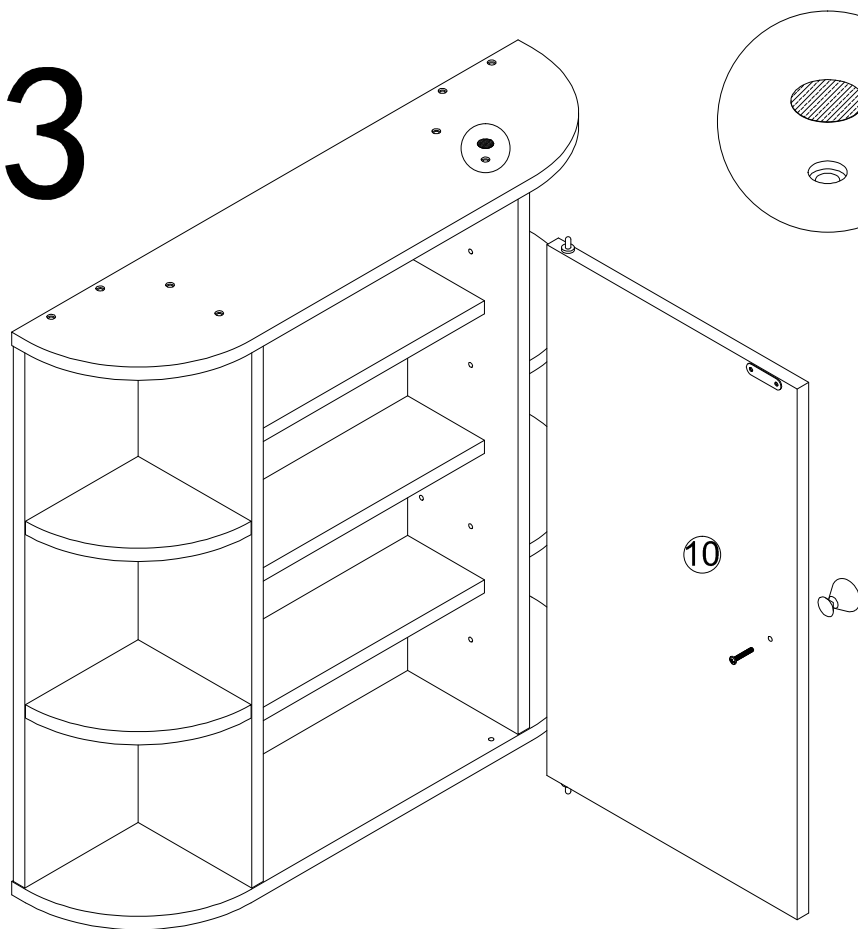
1*8

12



C*2+K1*1+M*2

13



$L*1+N*28$

14

