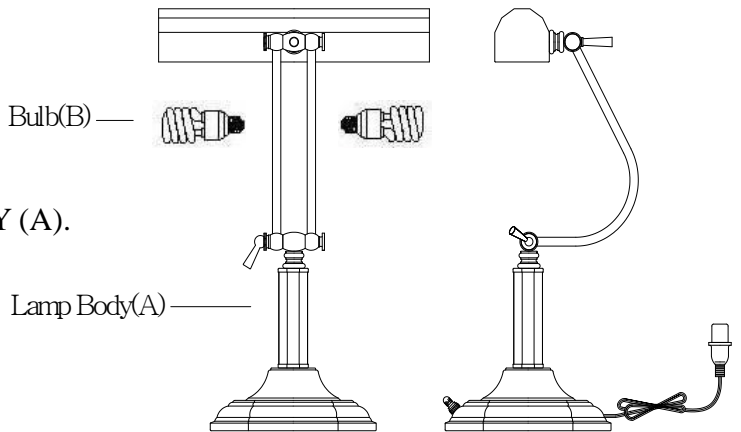


## ASSEMBLY INSTRUCTIONS:

1. CAREFULLY UNPACK AND PLACE ALL PARTS ON A FLAT SURFACE AND LINE THEM UP AS PER THE SKETCH.
2. SCREW BULB (B) INTO SOCKET OF LAMP BODY (A).
3. INSERT THE POLARIZED PLUG INTO WALL OUTLET, TURN ON THE SWITCH AND ENJOY YOUR NEW LAMP.



**USE 2PCS 11W CFL TYPE BULB OR 2PCS 40W (MAXIMUM) INCANDESCENT T TYPE BULB.**

## IMPORTANT SAFETY INSTRUCTIONS:

THIS PORTABLE LAMP HAS A POLARIZED PLUG (ONE BLADE IS WIDER THAN THE OTHER) AS A SAFETY FEATURE TO REDUCE THE RISK OF ELECTRIC SHOCK. THIS PLUG WILL FIT IN A POLARIZED OUTLET ONLY ONE WAY. IF IT DOES NOT FIT FULLY IN THE OUTLET, REVERSE THE PLUG. IF IT STILL DOES NOT FIT, CONTACT A QUALIFIED ELECTRICIAN. NEVER USE WITH AN EXTENSION CORD UNLESS THE PLUG CAN BE FULLY AND EASILY INSERTED. DO NOT ATTEMPT TO ALTER THE PLUG.

## ATTENTION:

POUR PRÉVENIR LES CHOC ÉLECTRIQUES NE PAS UTILISER CETTE FICHE POLARISÉE AVEC UN PROLONGATEUR, UNE PRISE DE COURANT OU UNE AUTRE SORTIE DE COURANT, SAUF SI LES LAMES PEUVENT ÊTRE INSÉRÉS A FOND SANS EN LAISSER AUCUNE PARTIE À DÉCOUVERT.

✘ PLEASE INFORM YOUR DEALER IMMEDIATELY IN CASE OF ANY PARTS SHORTAGE.

✘ SAVE THESE INSTRUCTIONS FOR FUTURE REFERENCE.