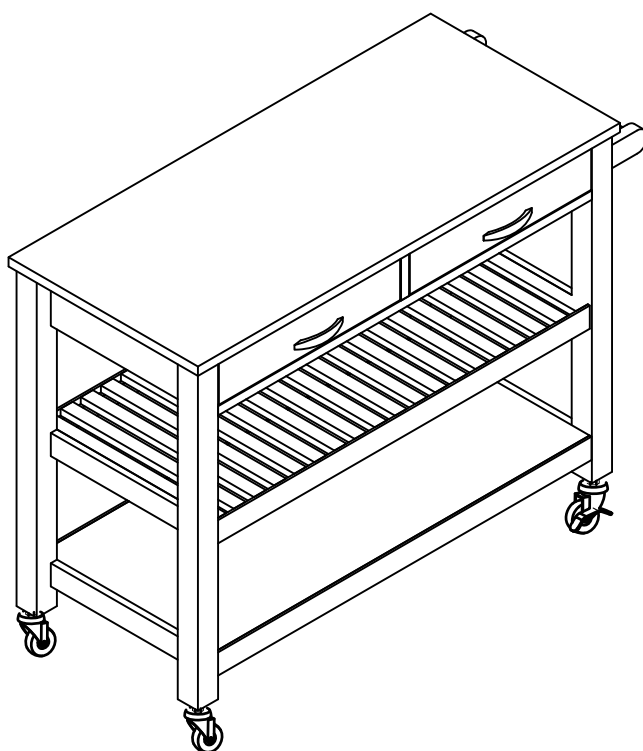


KITCHEN ISLAND

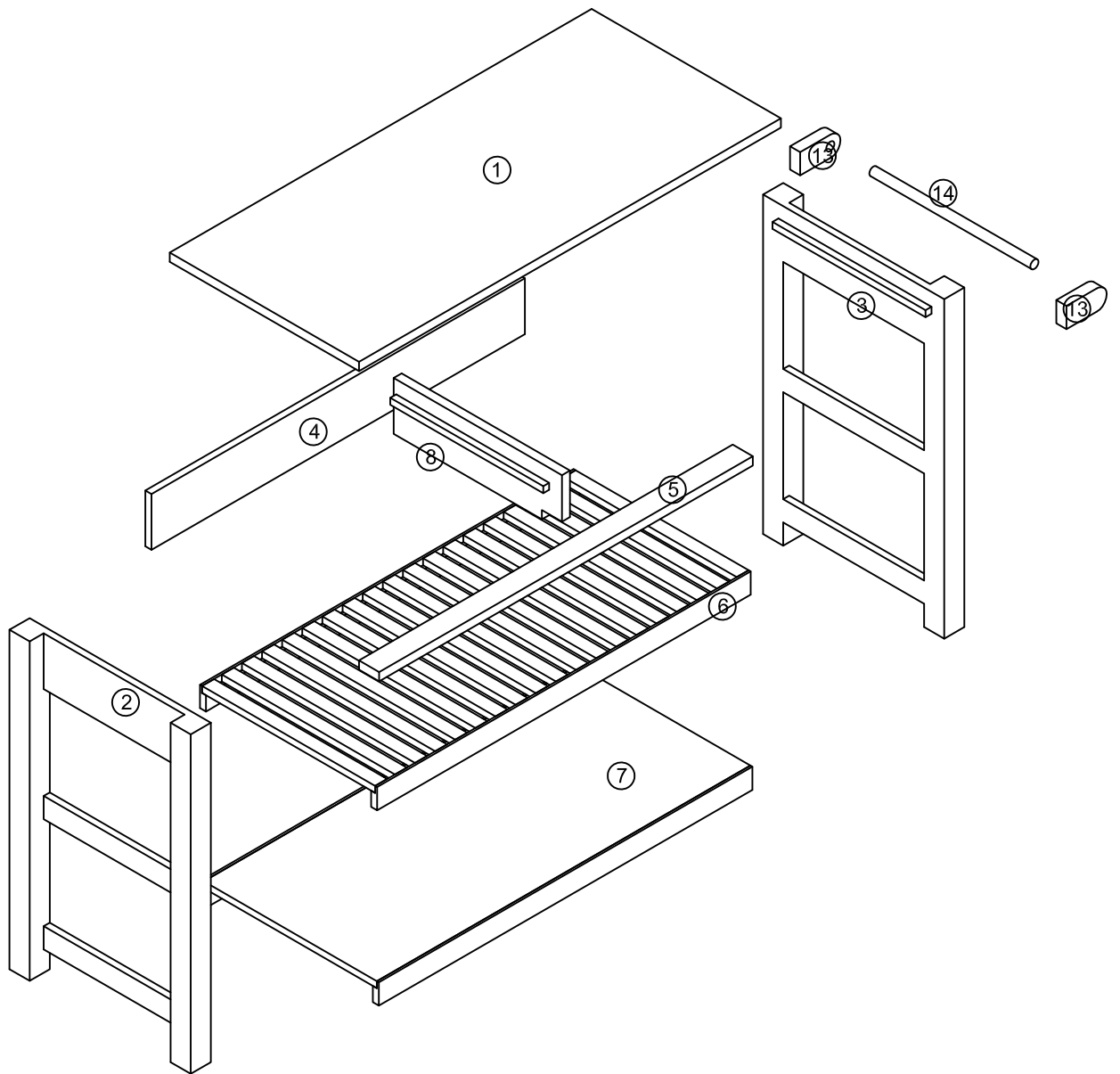
DL-DT1910/W42019901

DL-DT1910W/W42019902



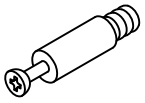
Attention please:

Improper use of screws may cause the product surface damage!
Please be careful when installing.



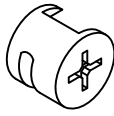
x2

A x7



M6x35mm

B x7



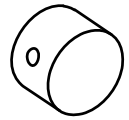
C x22



E x17



F x18



G x2



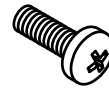
H x2



I x2

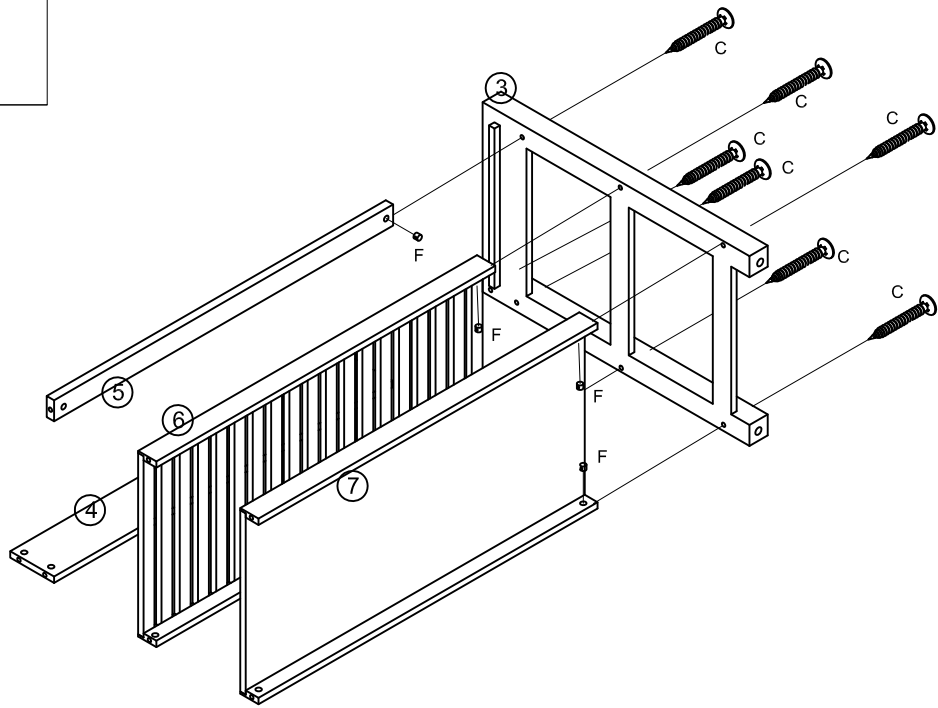
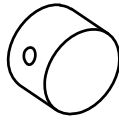


J x4



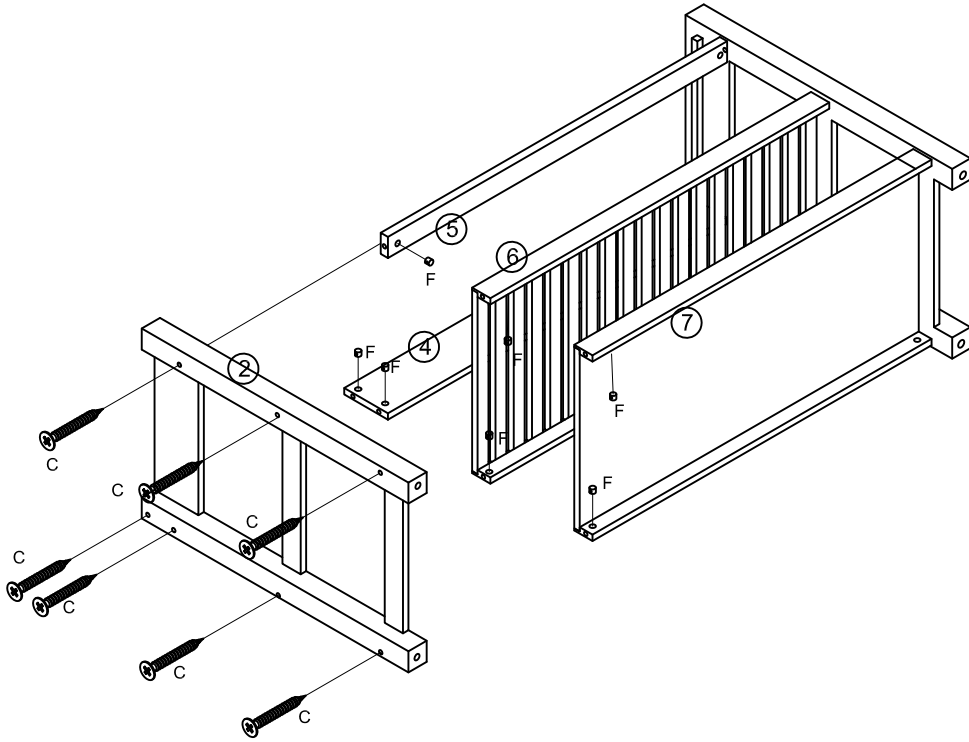
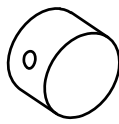
C x7

F x7



C x7

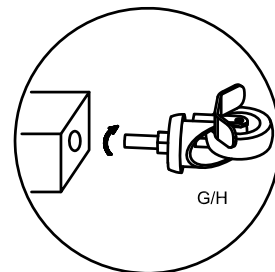
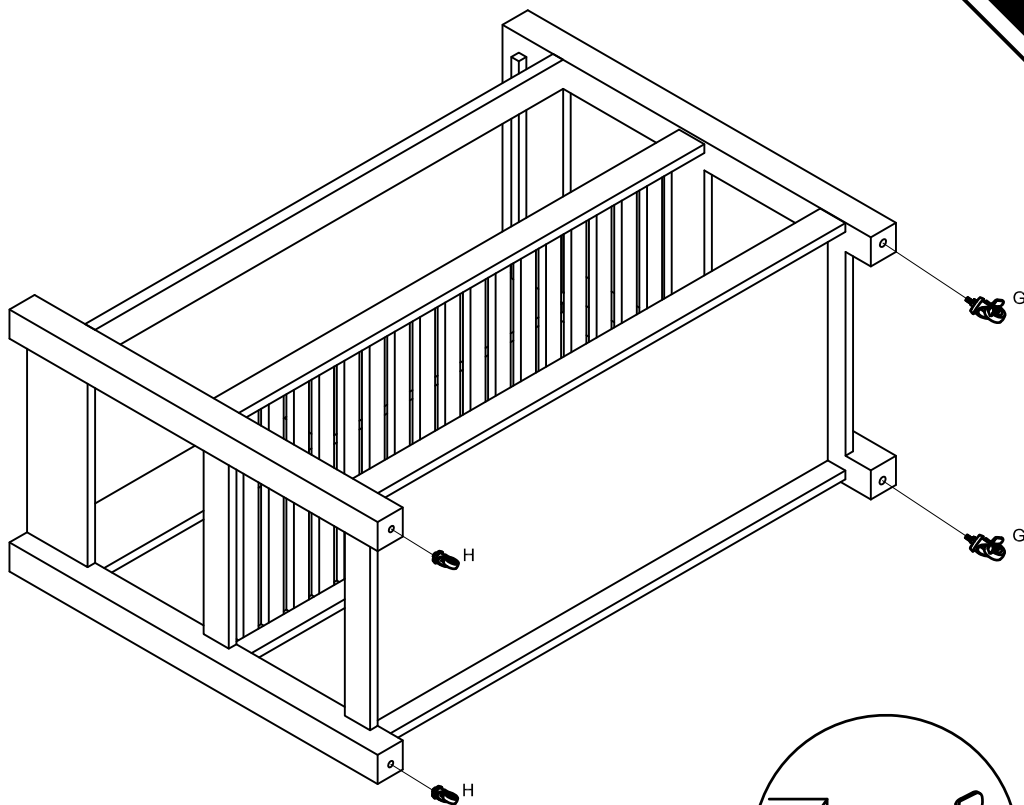
F x7



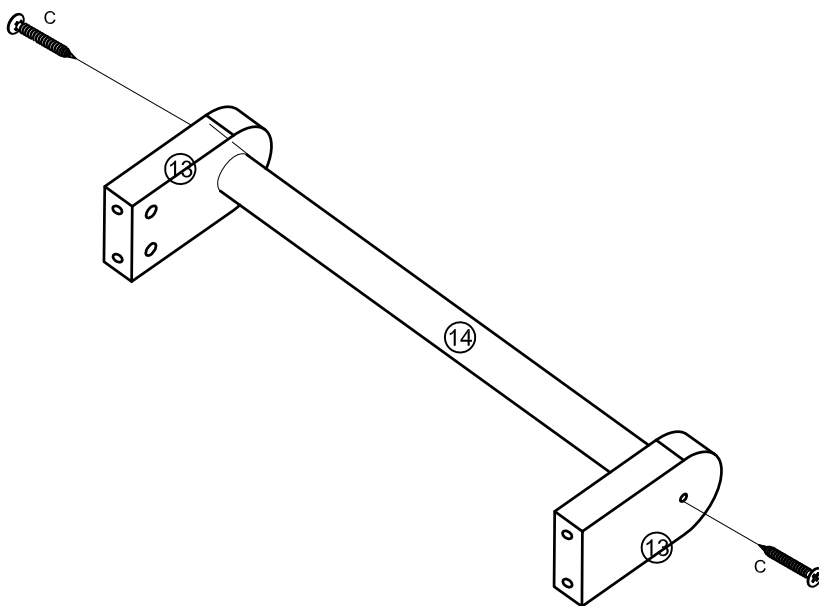
G x2



H x2



C x2



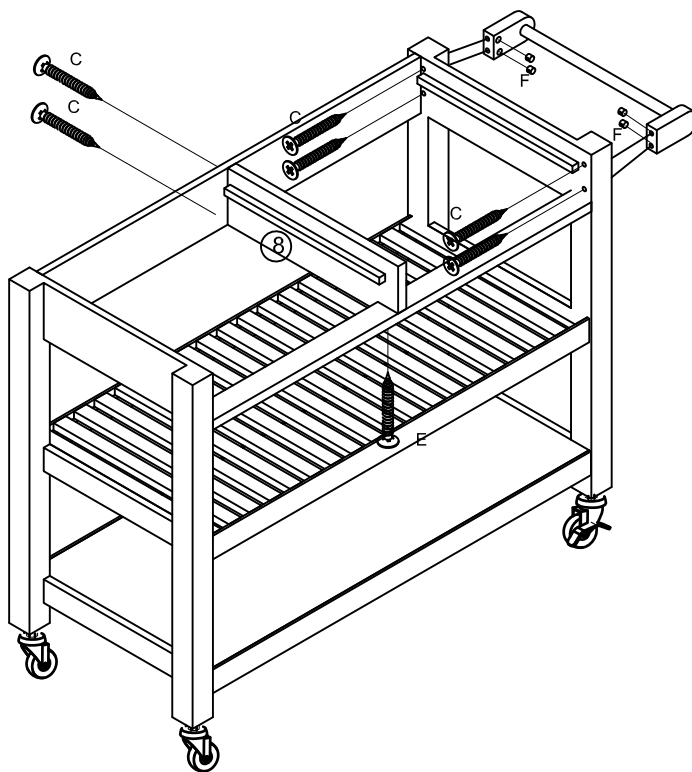
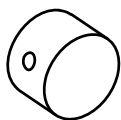
C x6



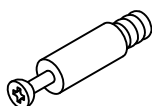
E x1



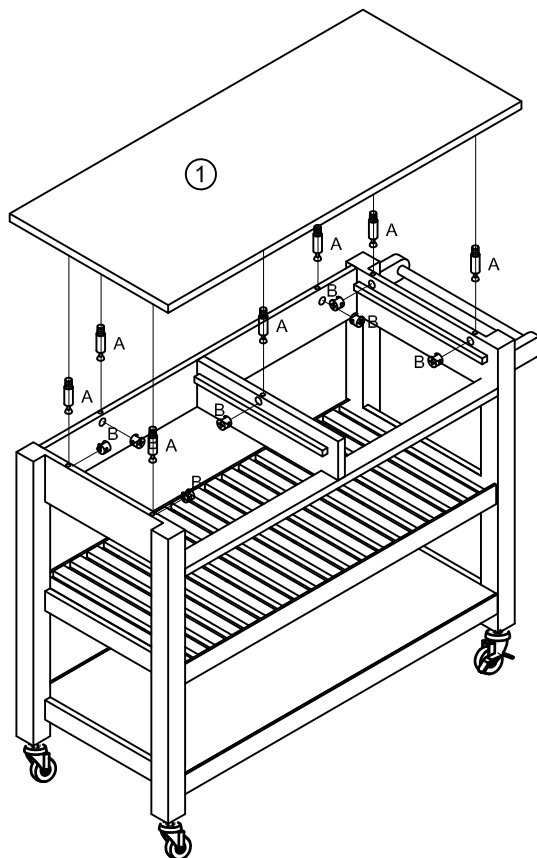
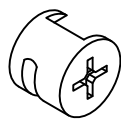
F x4

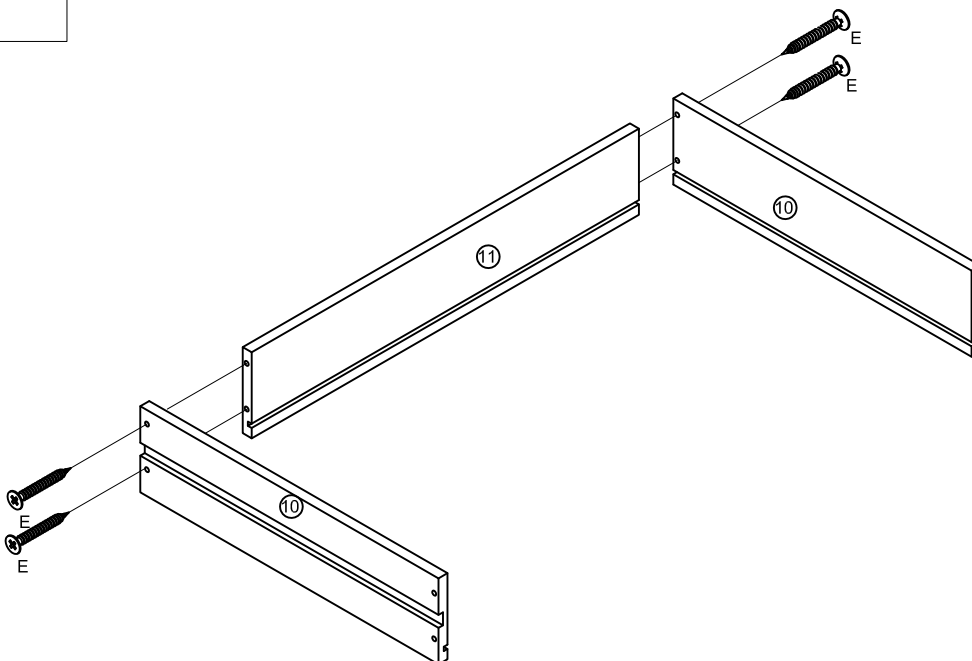
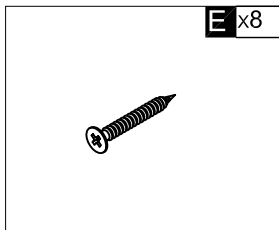


A x7

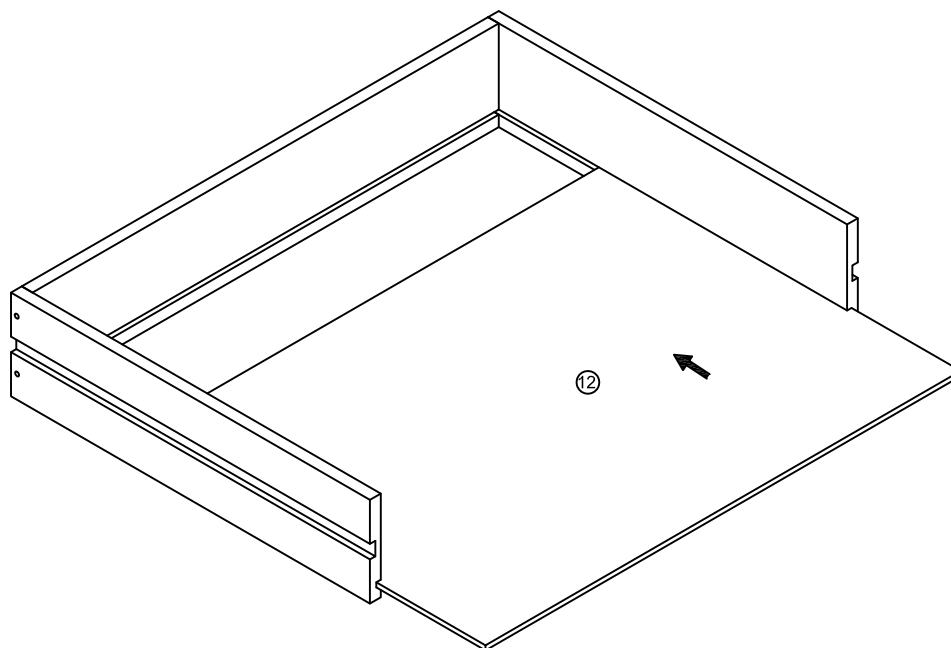


B x7





x2



x2

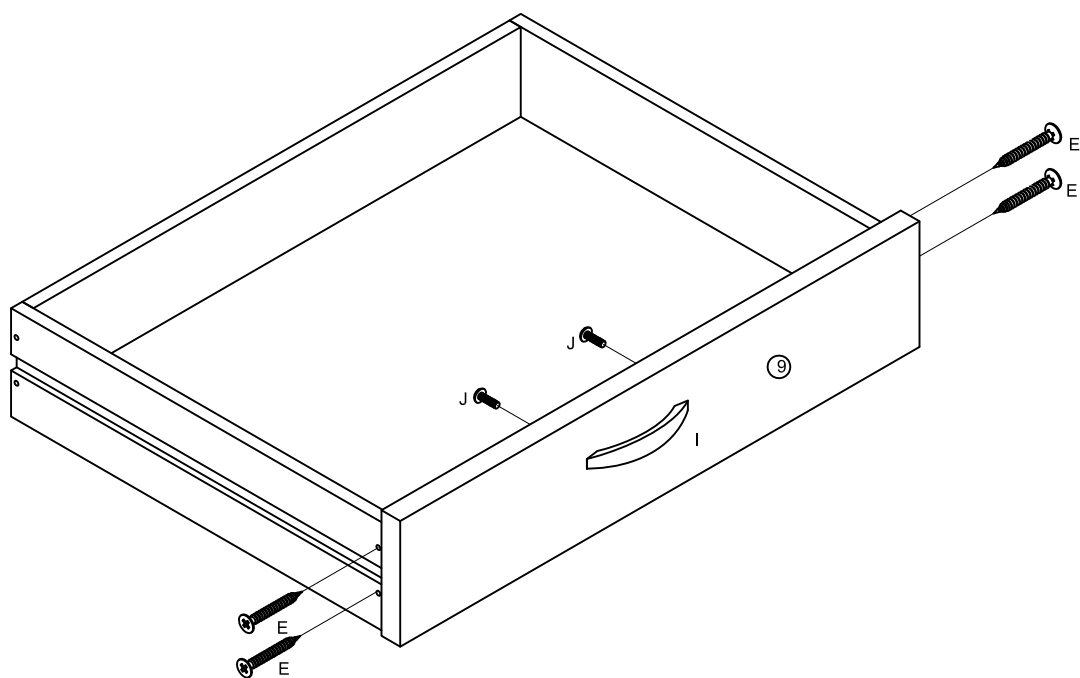
I x2



J x4



E x8



x2

