

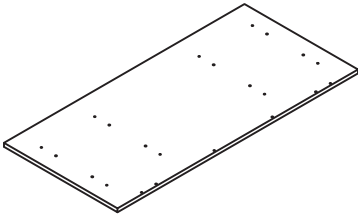
USER'S MANUAL

Writing Desk

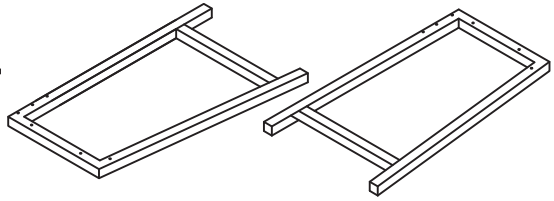
THIS INSTRUCTION BOOKLET CONTAINS **IMPORTANT** SAFETY INFORMATION. PLEASE READ AND KEEP FOR FUTURE REFERENCE.

Before You Start

- ⚠ Please read all instructions carefully.
- ⚠ Retain instructions for future reference.
- ⚠ Separate and count all parts and hardware.
- ⚠ Read through each step carefully and follow the proper order.
- ⚠ We recommend that, where possible, all items are assembled near to the area in which they will be placed in use, to avoid moving the product unnecessarily once assembled.
- ⚠ Always place the product on a flat, steady and stable surface.
- ⚠ Keep all small parts and packaging materials for this product away from babies and children as they potentially pose a serious choking hazard.

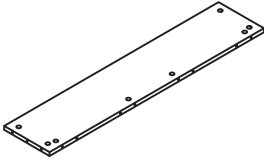


① x 1

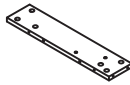


② x 1

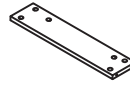
③ x 1



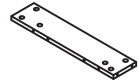
④ x 1



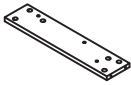
⑤ x 1



⑥ x 1



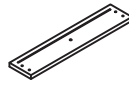
⑦ x 1



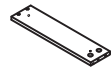
⑧ x 1



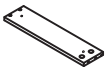
⑨ x 2



⑩ x 1



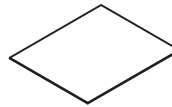
⑪ x 1



⑫ x 1



⑬ x 1



⑭ x 1



6*35mm
A x 36



15*12mm
B x 32



6*30mm
C x 12



4*30mm
D x 4



15*9.5mm
E x 4



F x 6



G x 1



H x 4



I x 2



3.5*12mm
J x 12

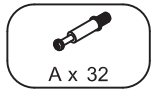
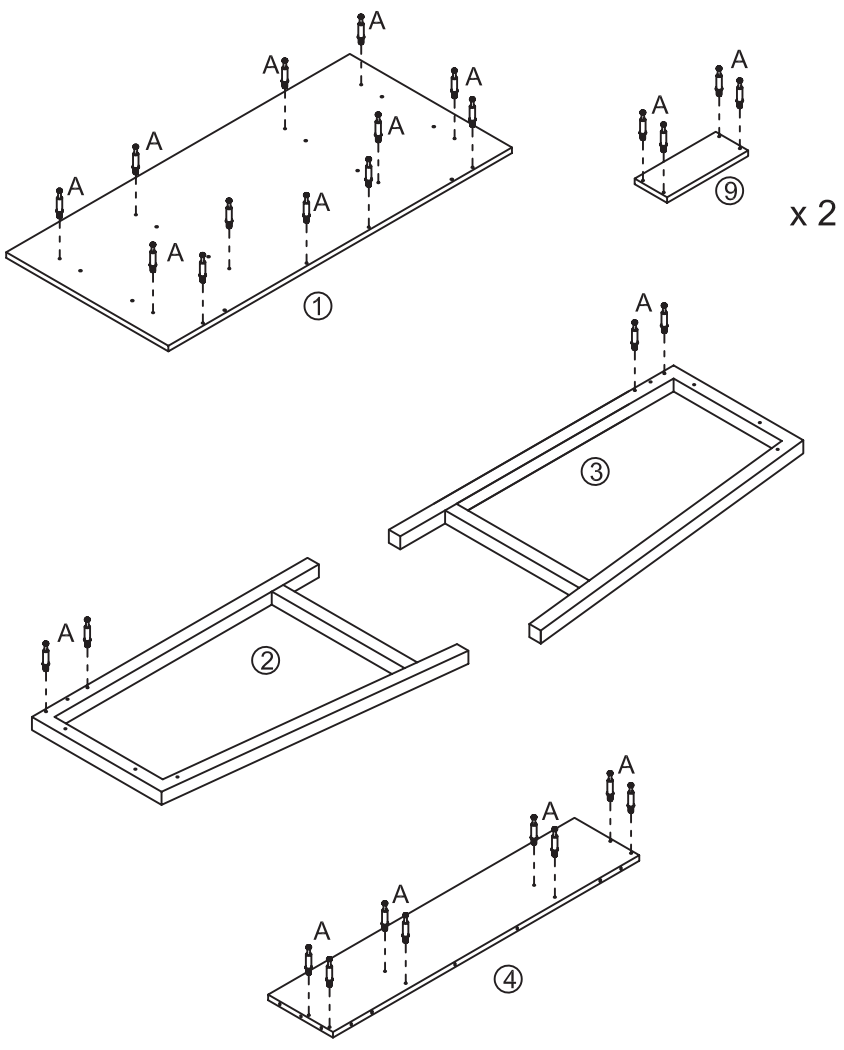


K x 1

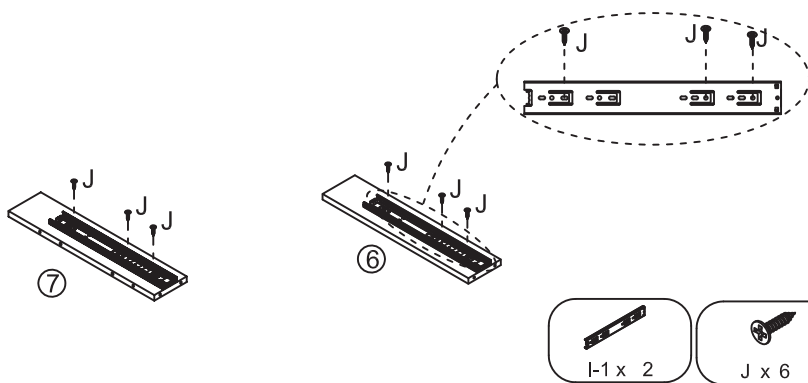
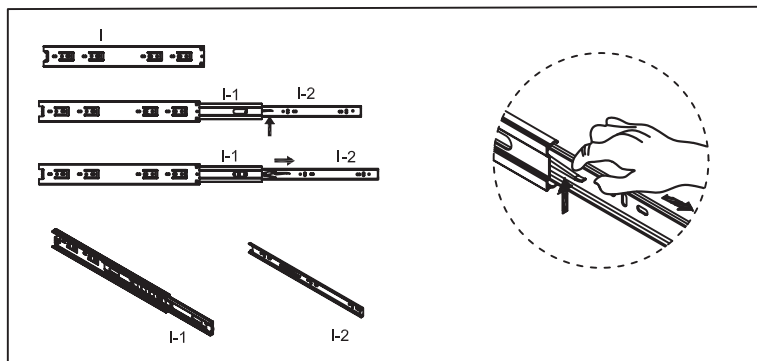


L x 1

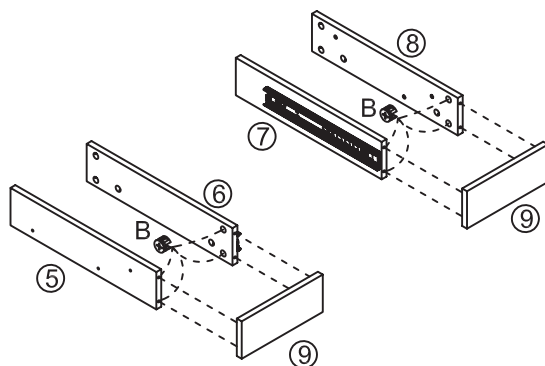
1



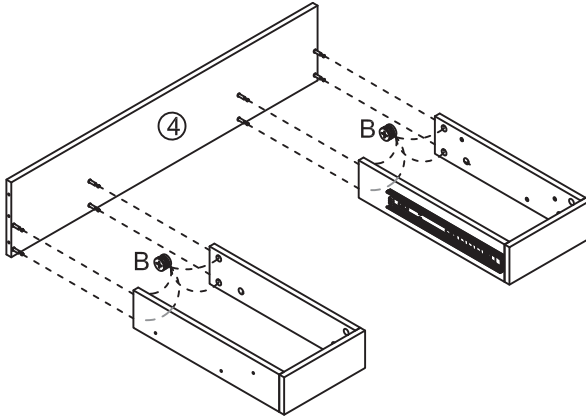
2



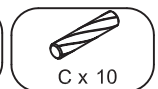
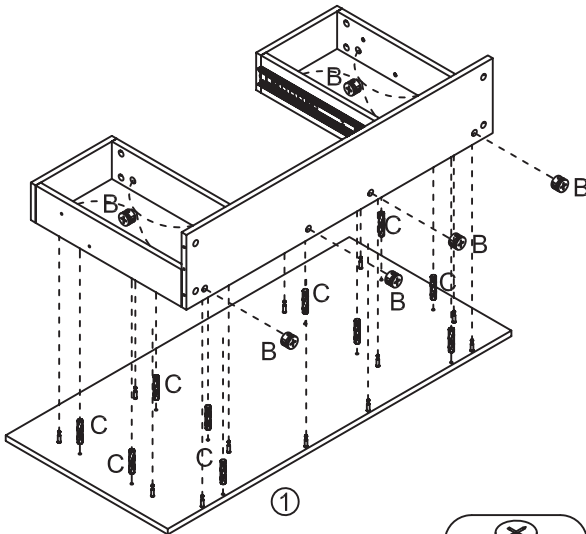
3



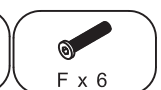
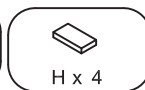
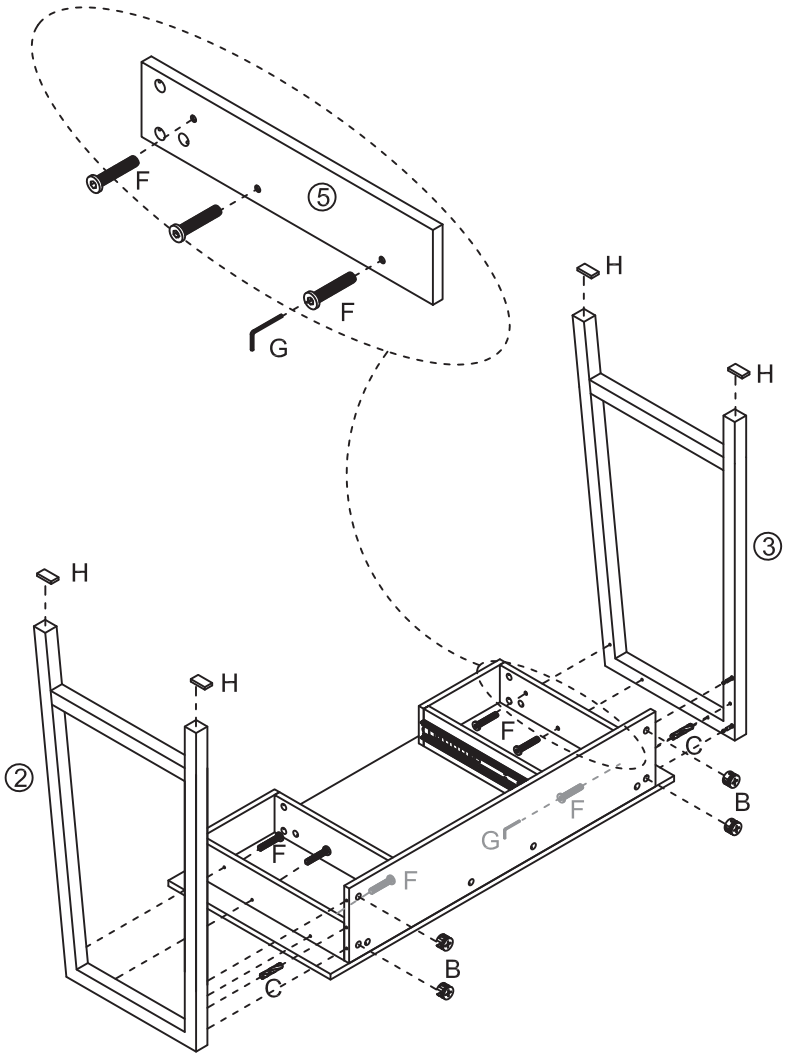
4



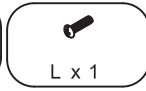
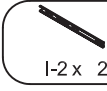
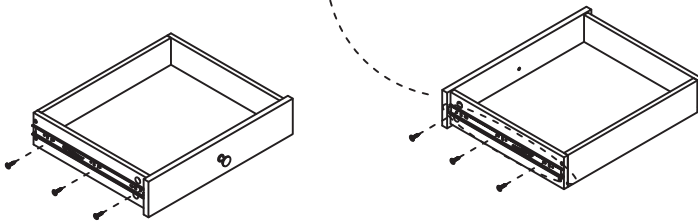
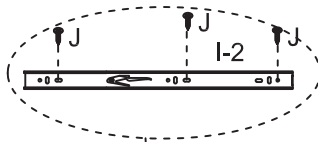
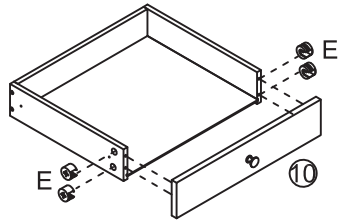
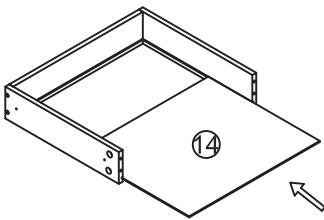
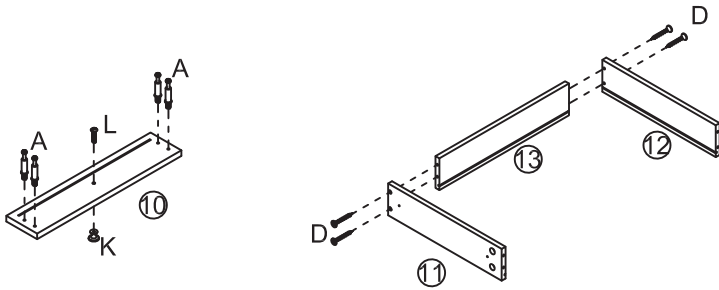
5



6



7



8

