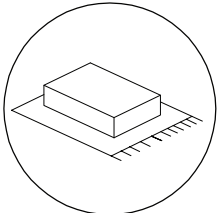
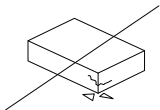


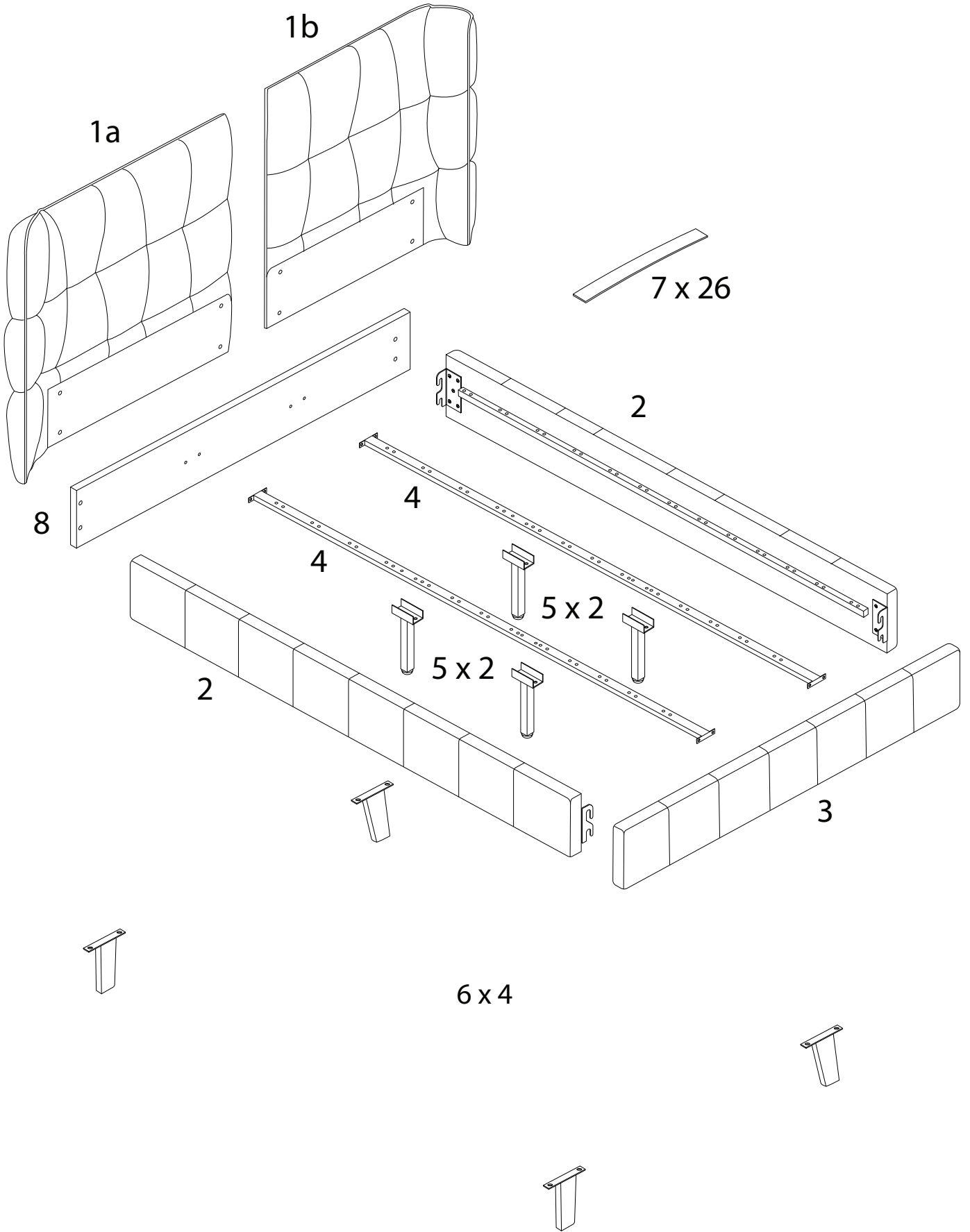
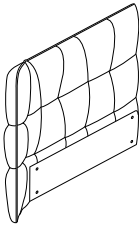

		<p>45'</p>
 		
		<p>2</p>

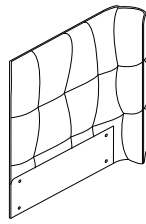


1a



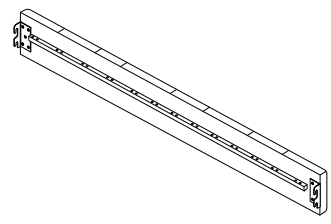
x 1

1b



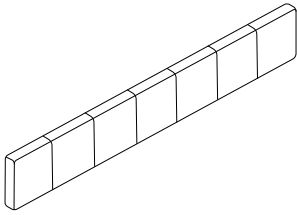
x 1

2



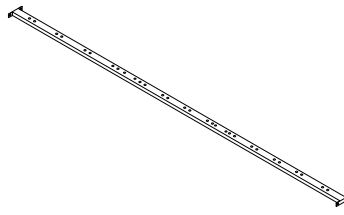
x 2

3



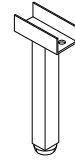
x 1

4



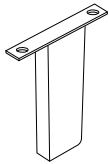
x 2

5



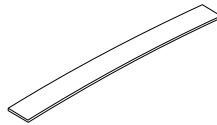
x 4

6



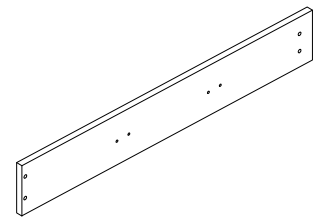
x 4

7



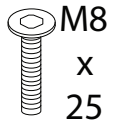
x 39

8



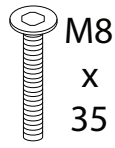
x 1

A



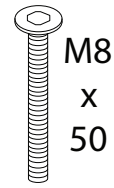
x 24

B



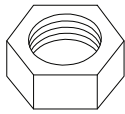
x 8

C



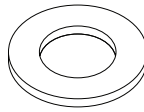
x 8

D



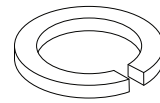
x 8

E



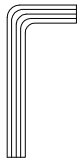
x 40

F



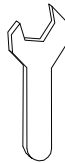
x 16

G



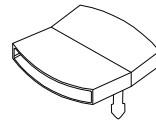
x 1

H



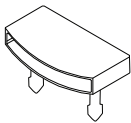
x 1

I



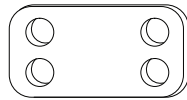
x 26

J



x 26

K



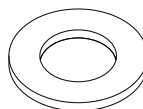
x 2

L



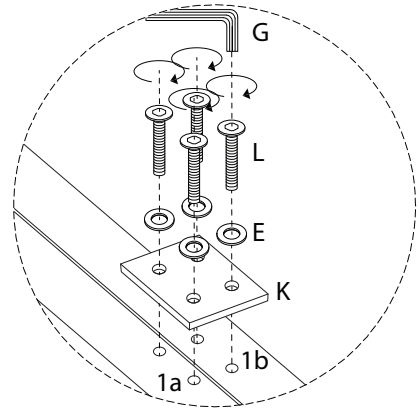
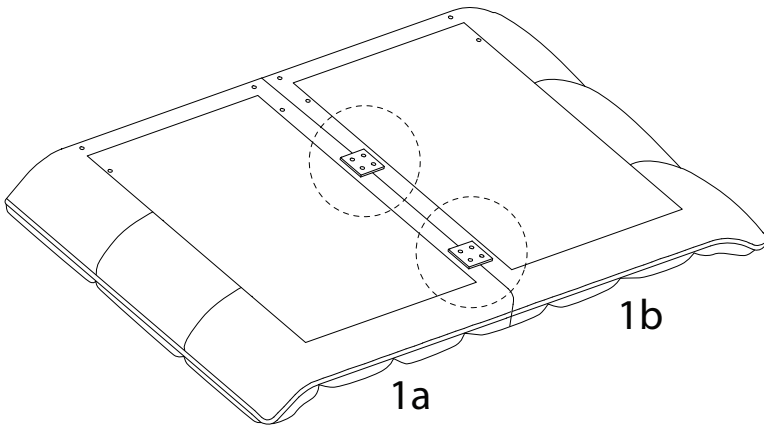
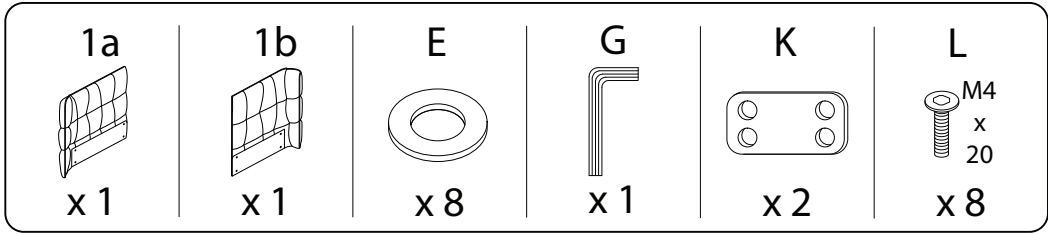
x 8

M

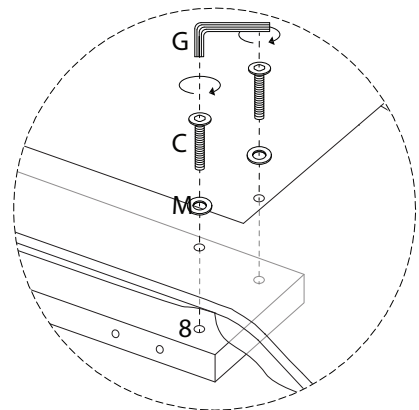
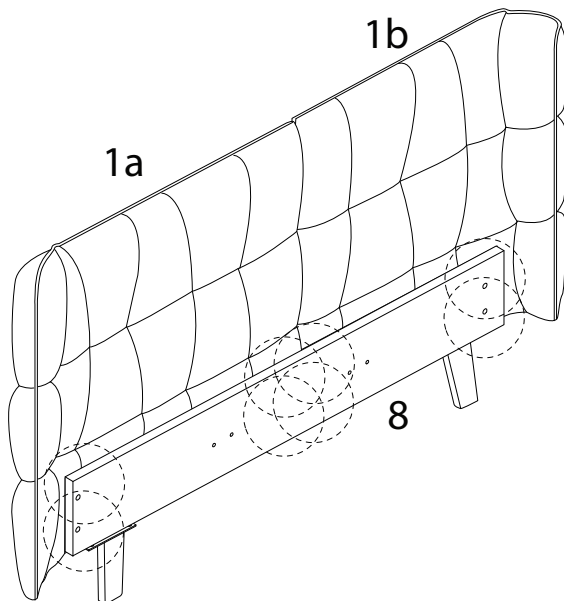
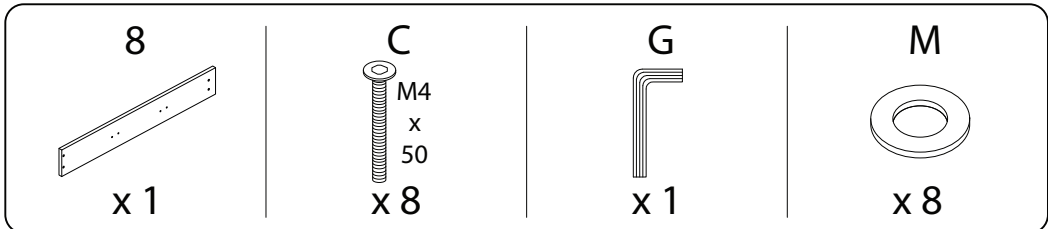


x 8

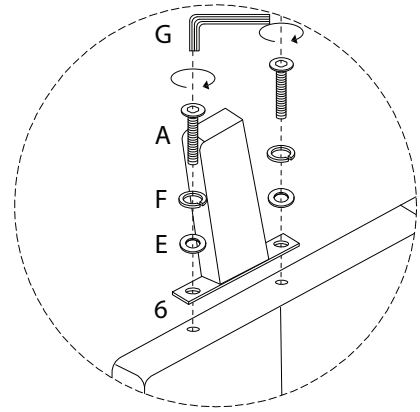
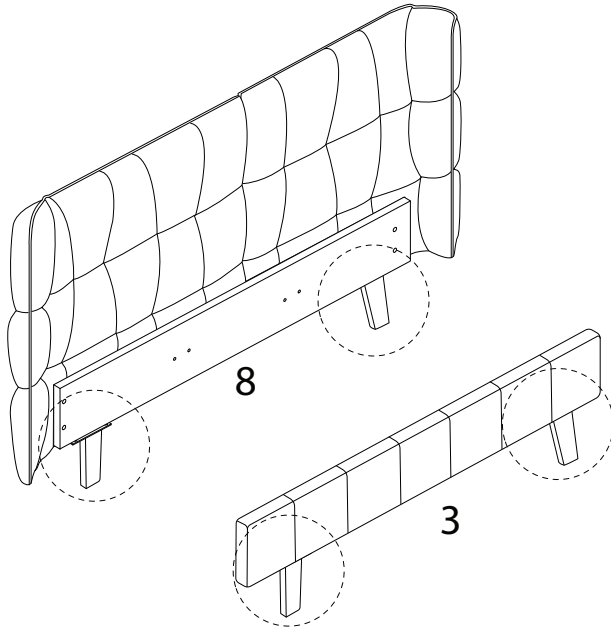
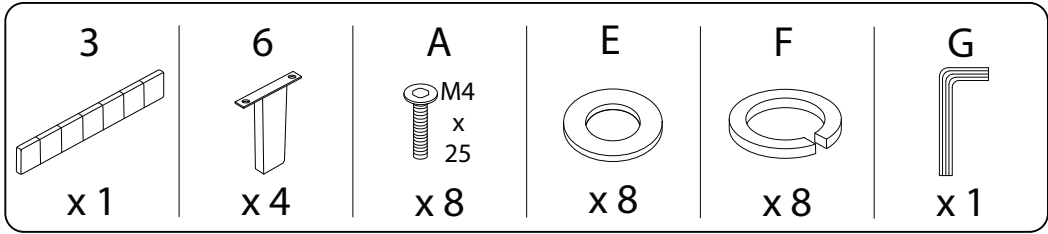
1



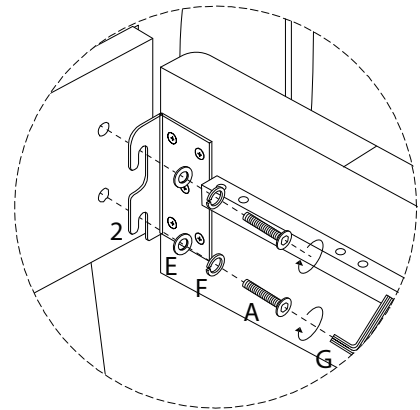
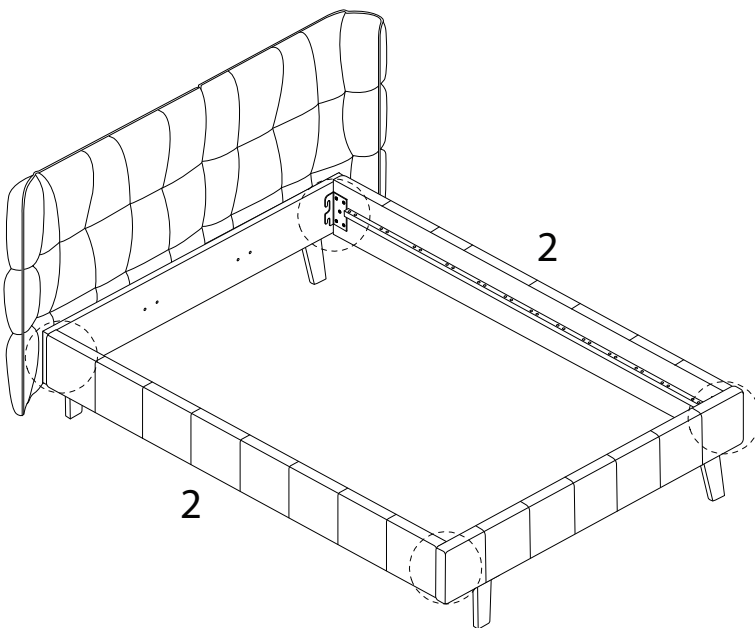
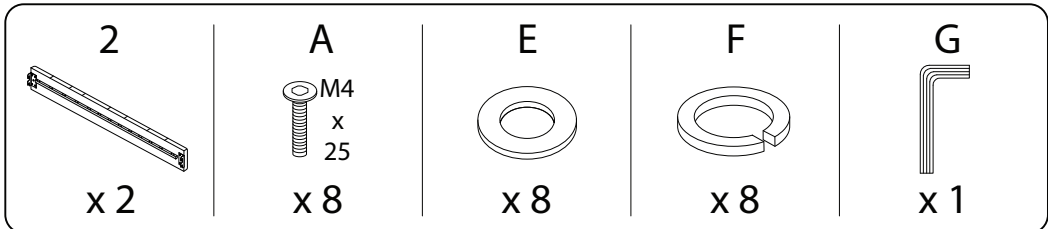
2



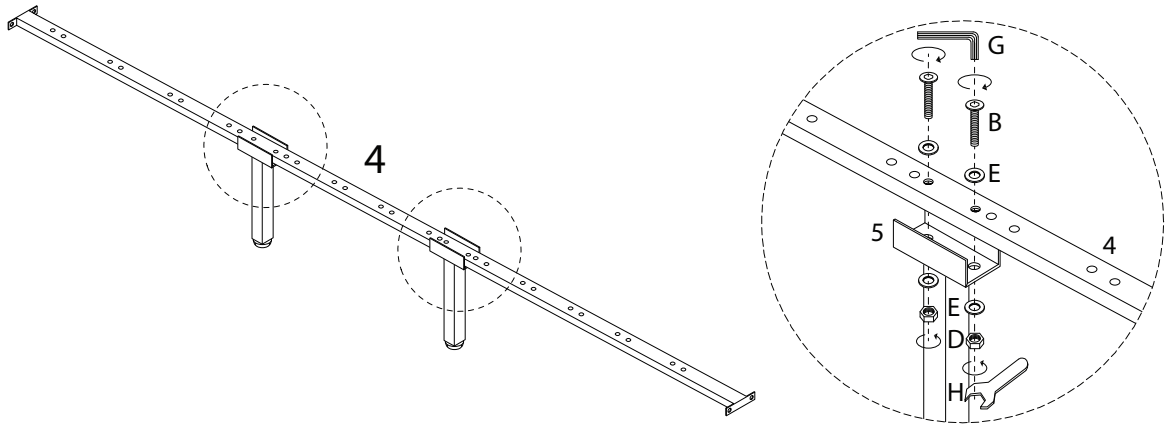
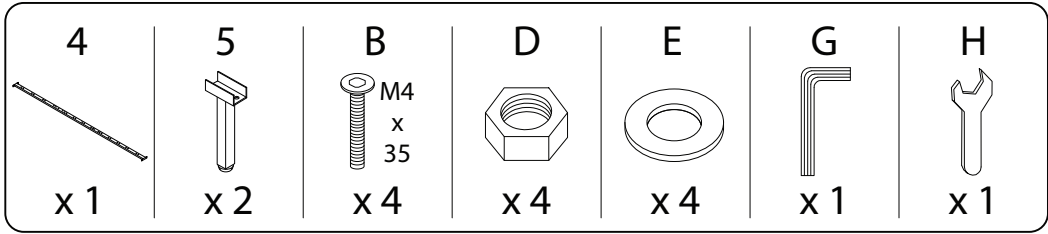
3



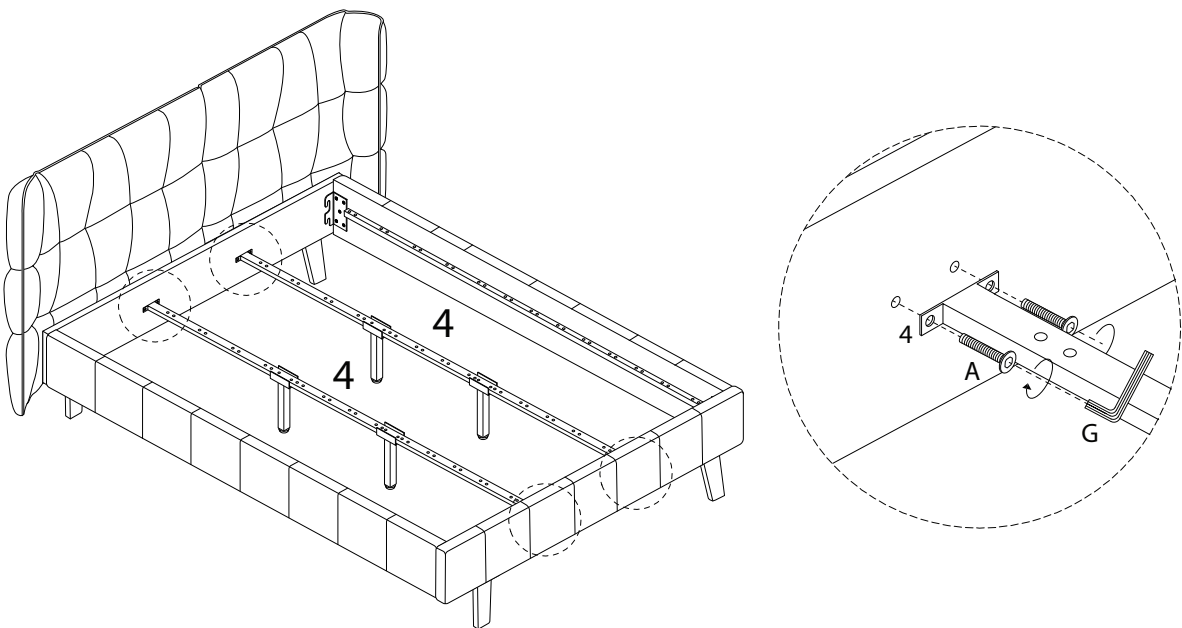
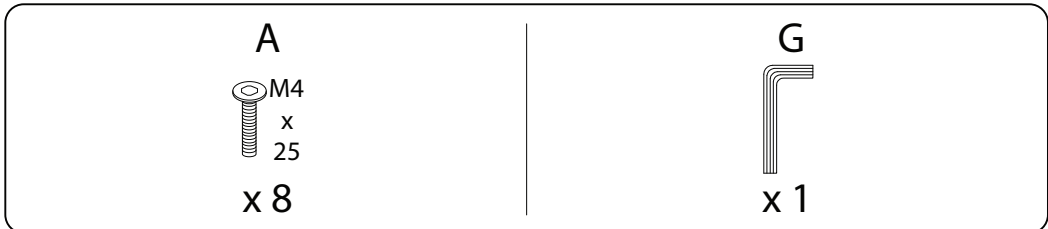
4



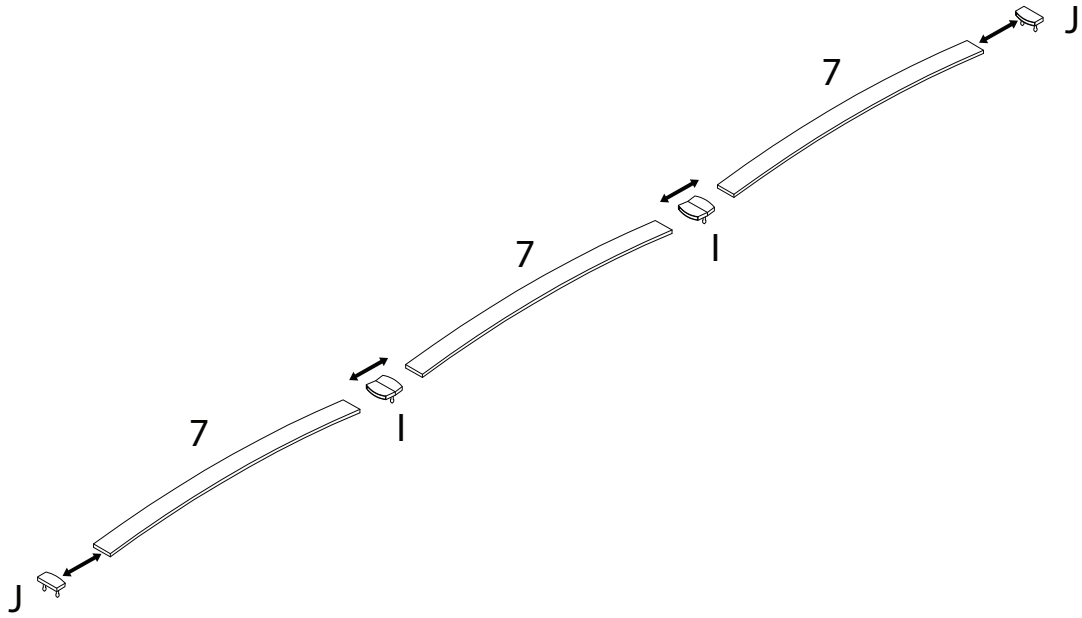
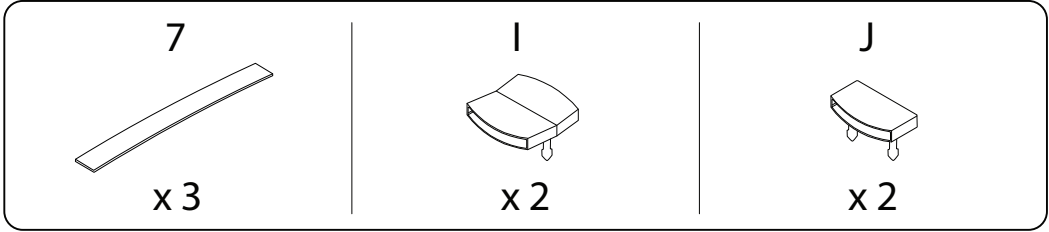
5 x 2



6



7 x 13



8

