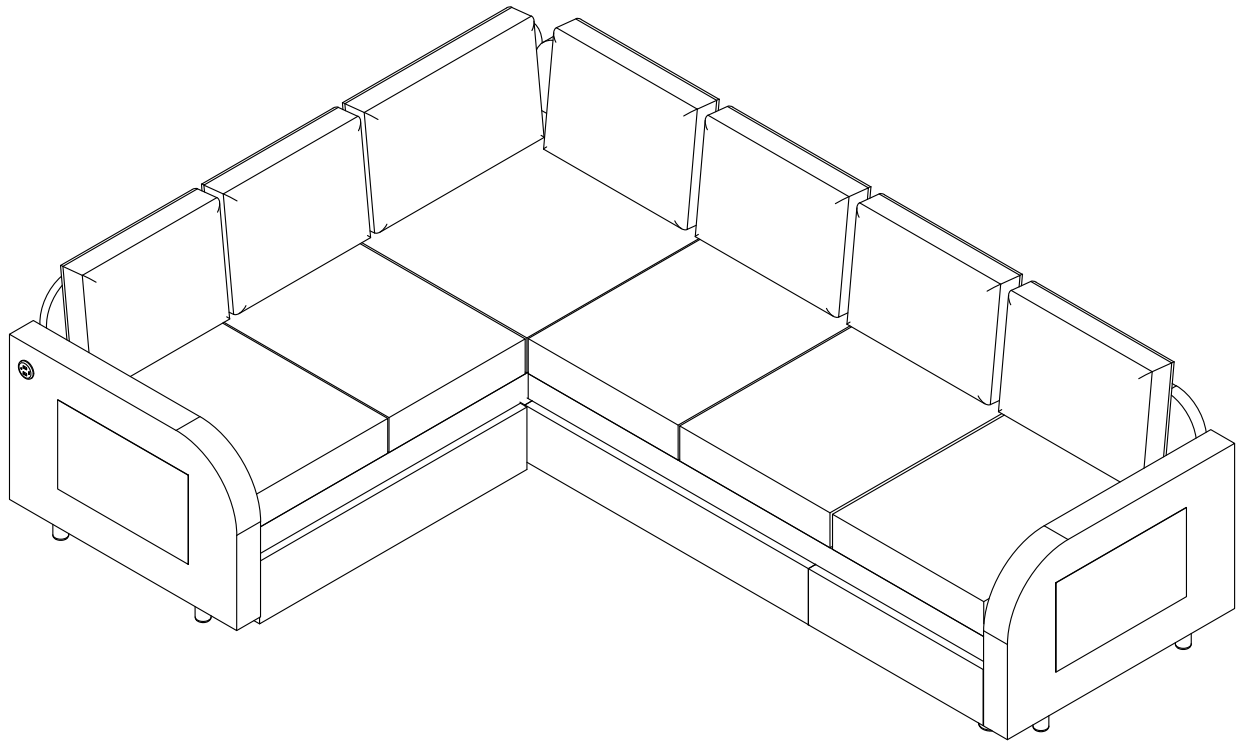
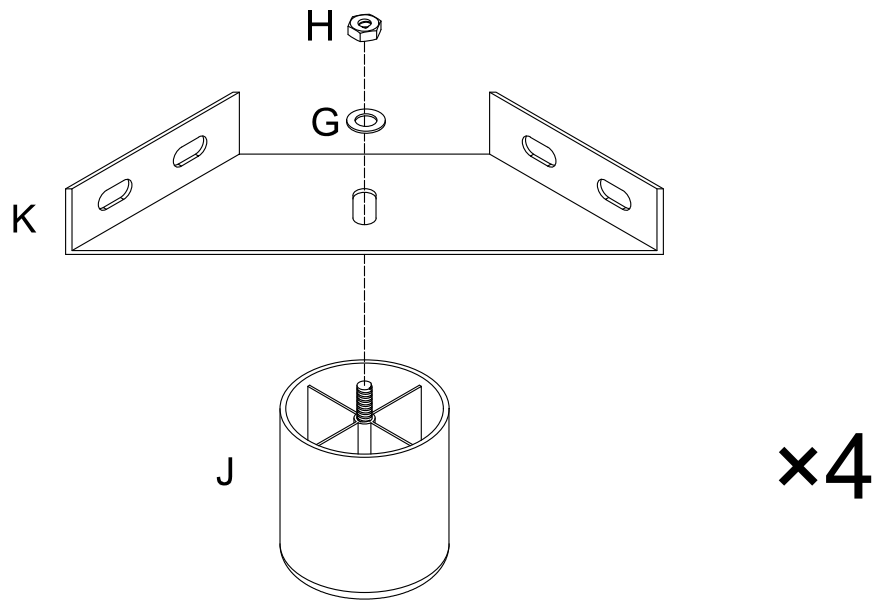



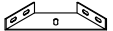


# INSTALLATION INSTRUCTION

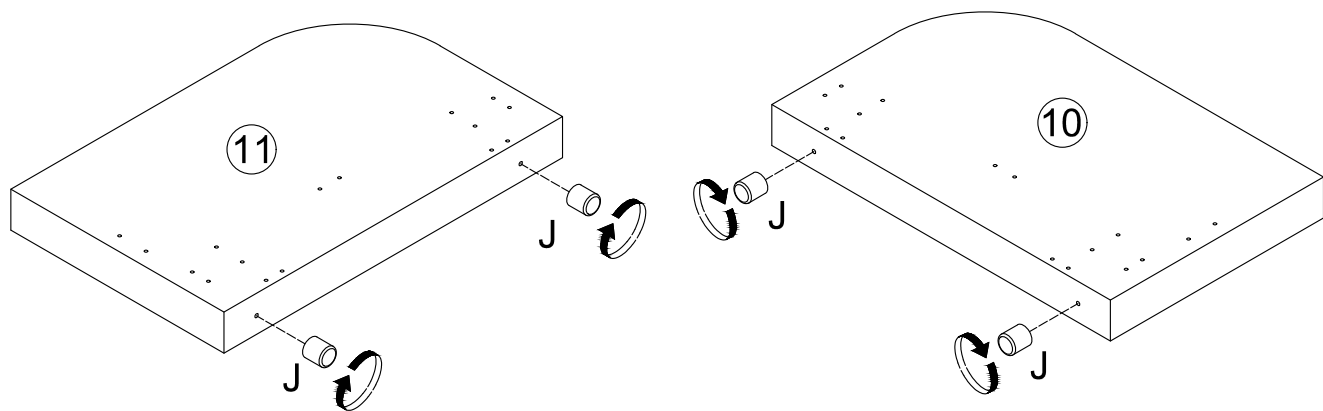



# Step 1



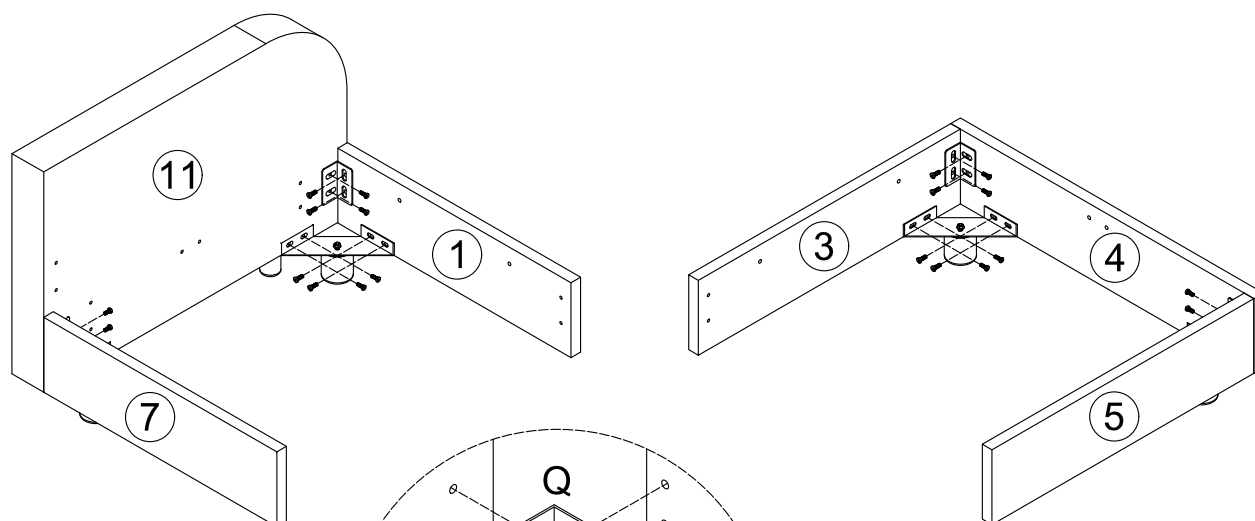
G	 x4	H	 x4
J	 x4	K	 x4

# Step 2

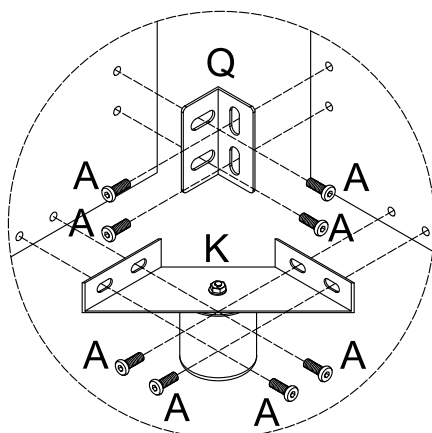


J	 x4
---	--

# Step 3

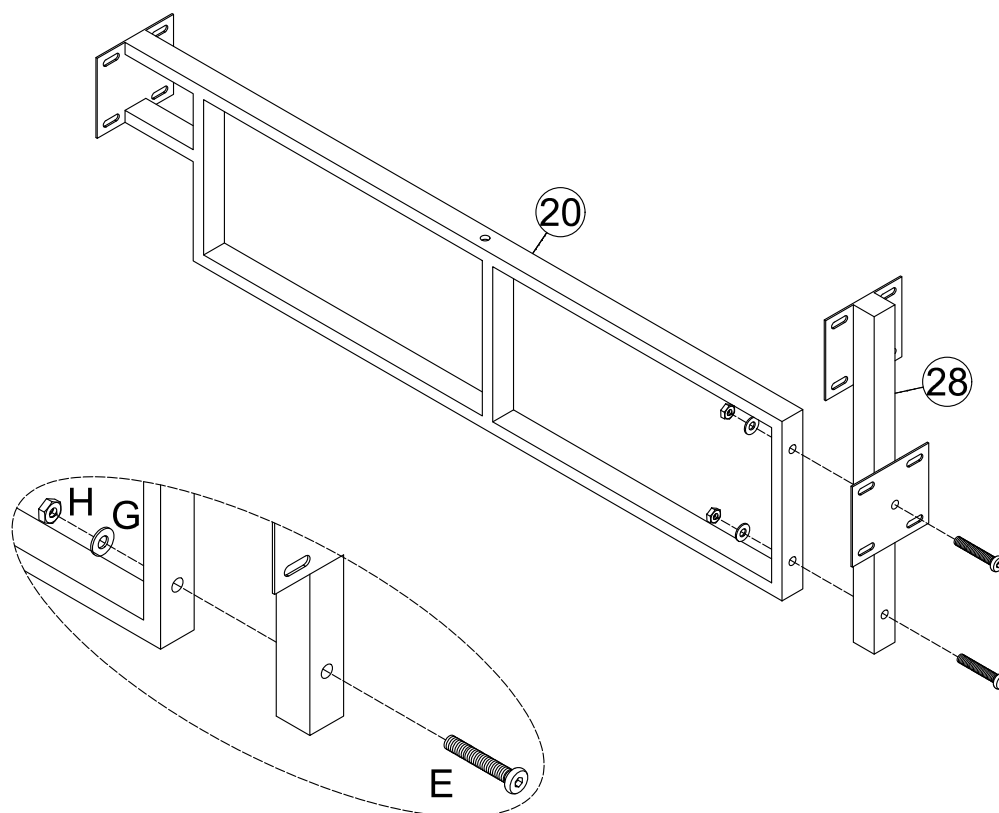


Please tighten the screws to 70% first.



		A M8×20	×32
Q	×4	K	×4

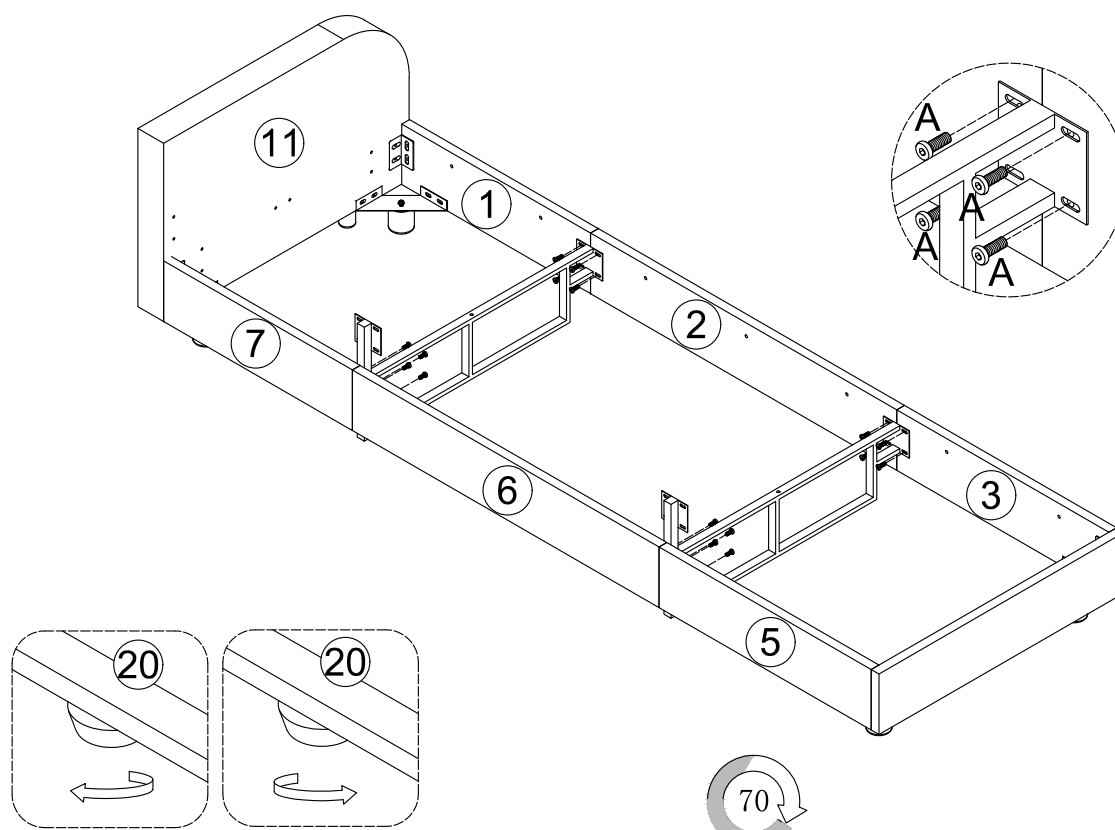
# Step 4



×2

E M8×55	×4
G	×4
H	×4


## Step 5



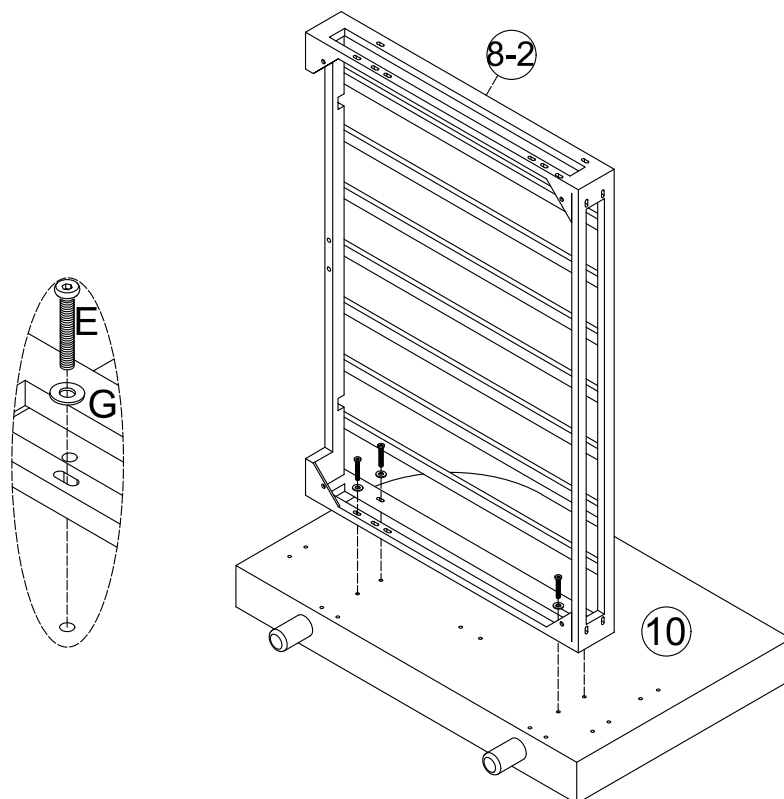
If the sofa is not positioned stably, you may adjust the height of its legs as follows.

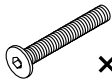



Please tighten the screws to 70% first.

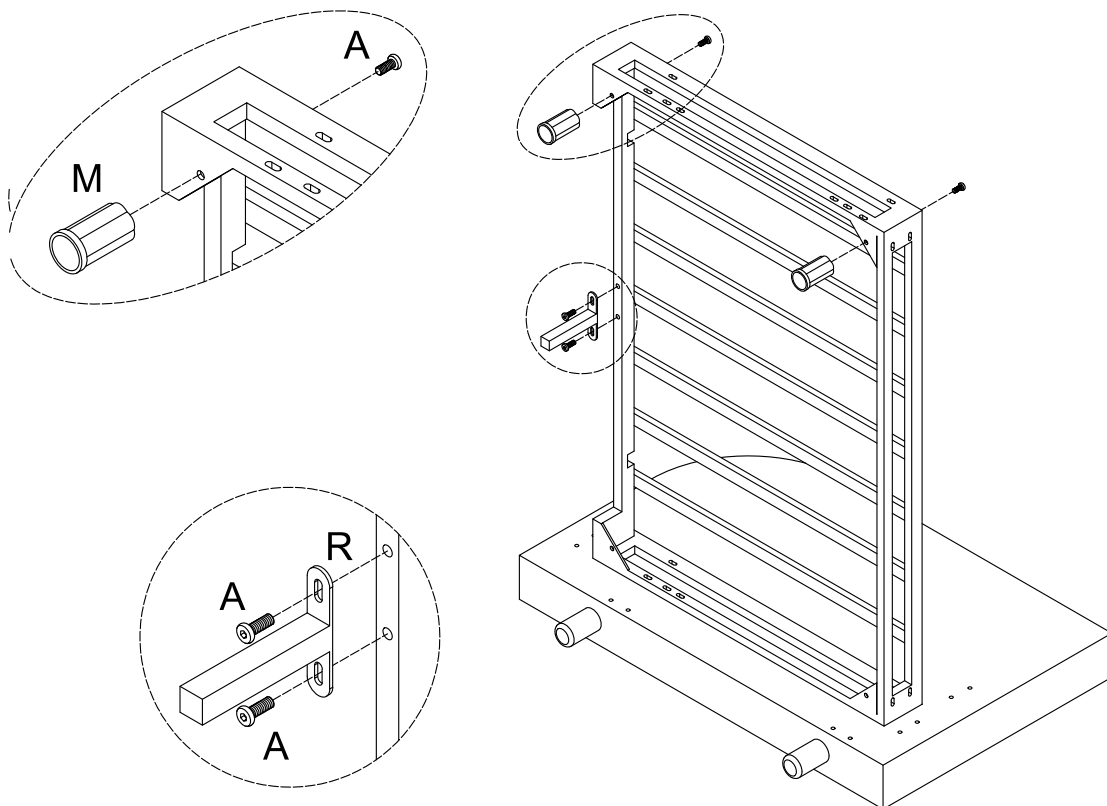
A		x16
M8x20		


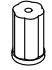

## Step 6



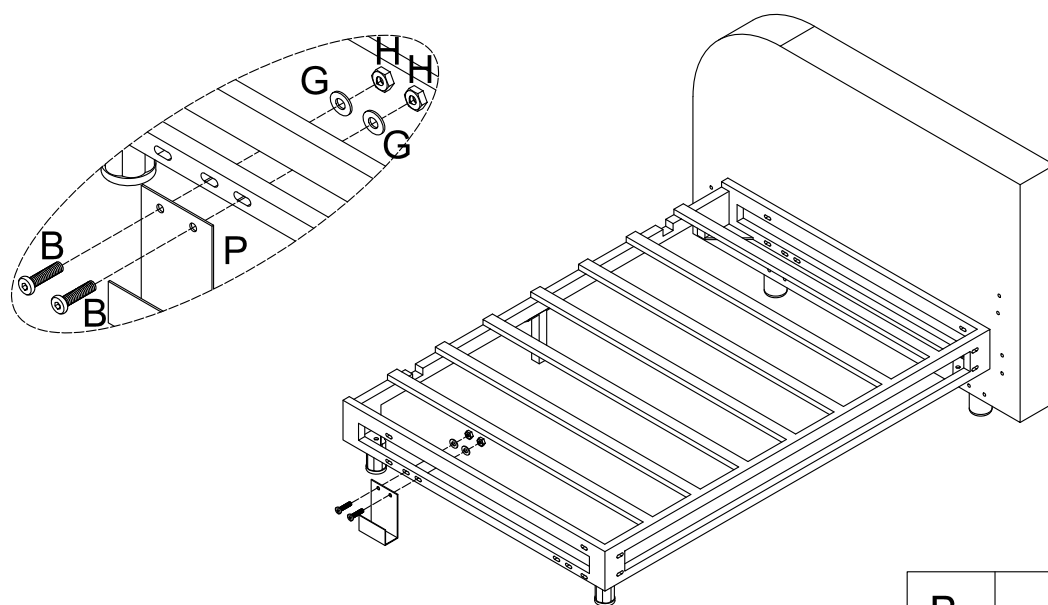
E		x4
M8x55		
G		x4

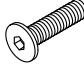


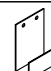
# Step 7



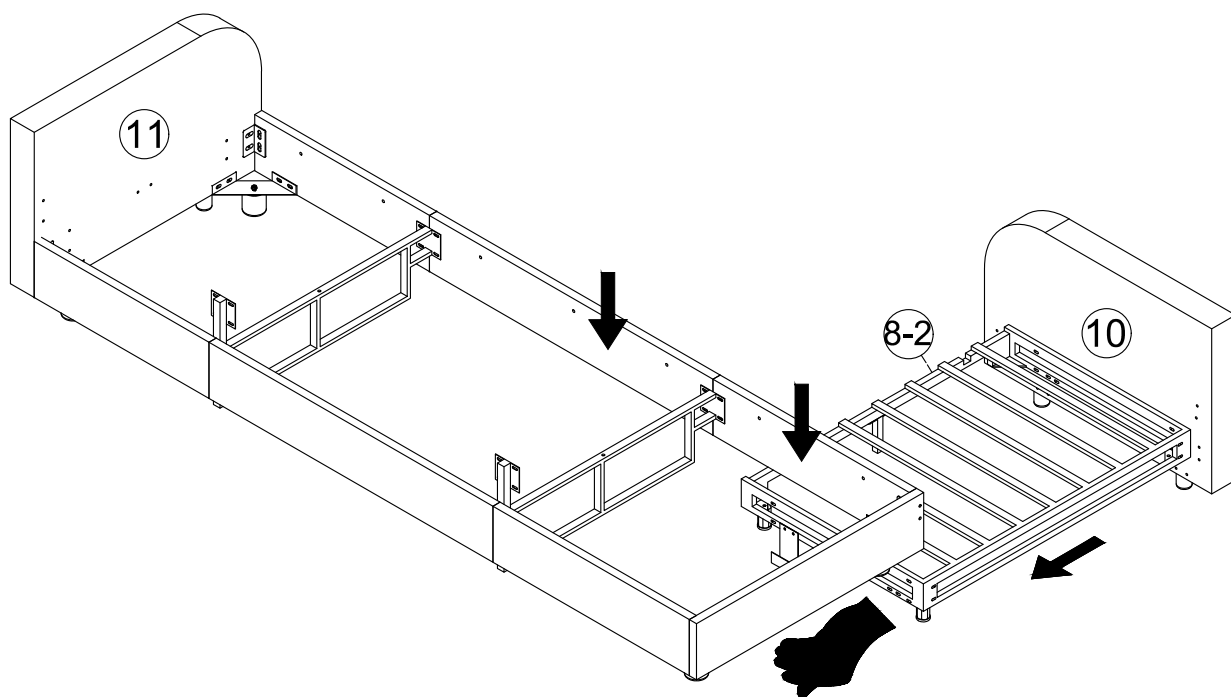
		A		x4
M			R	
	x2			x1

# Step 8

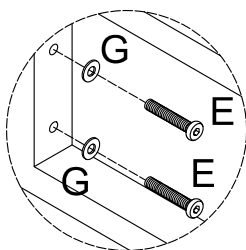
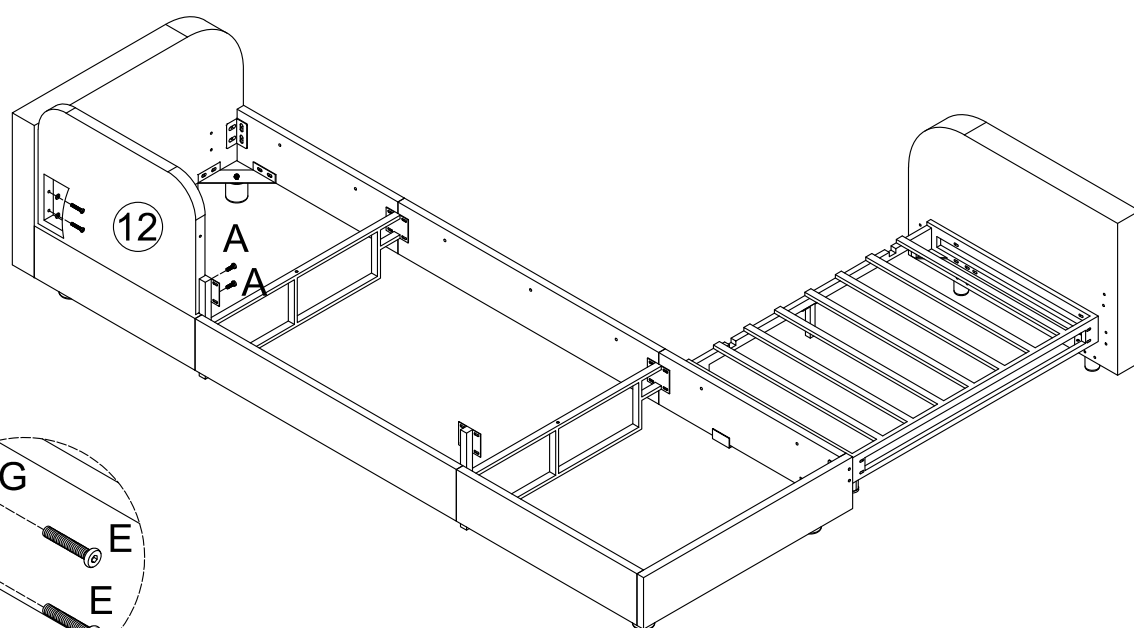


B		x2	G		x2
H		x2	P		x1

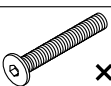


# Step 9



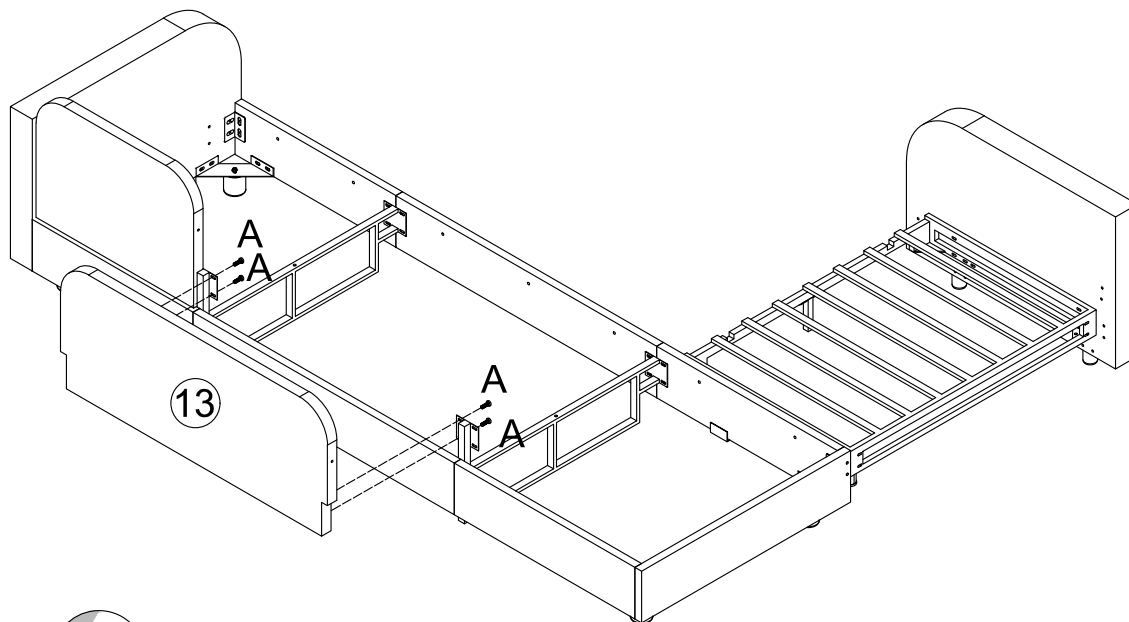
# Step 10




Please tighten the screws to 70% first.

E M8×55	 ×2	A M8×20	 ×2
		G	 ×2

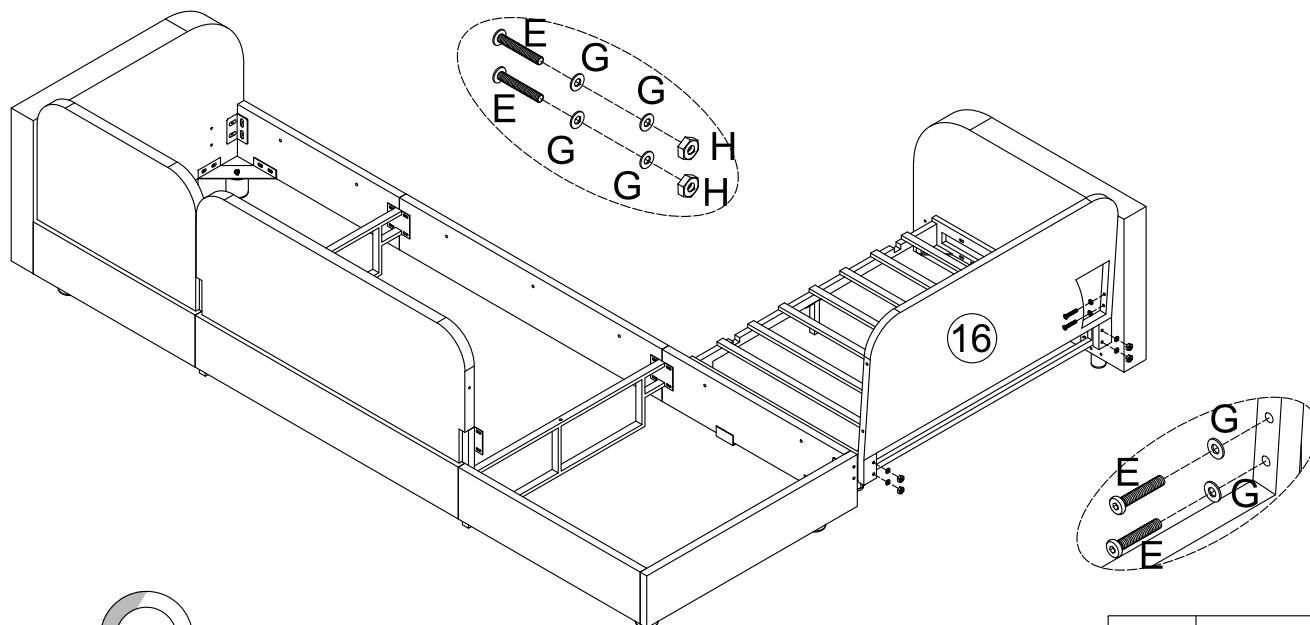
# Step 11



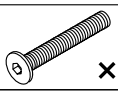


Please tighten the screws to 70% first.

A		x4
M8x20		

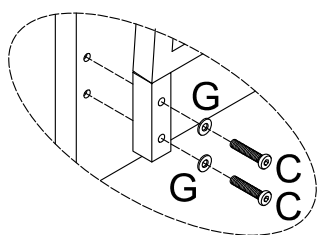
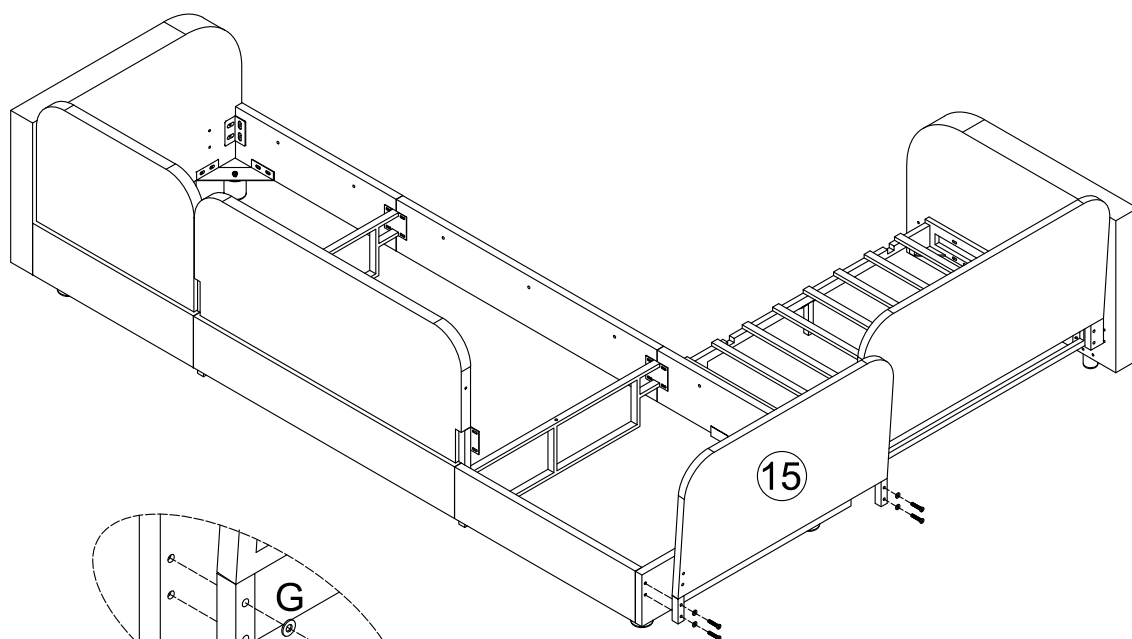
# Step 12

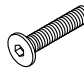



Please tighten the screws to 70% first.

E		x6
M8x55		
G		x10
H		x4

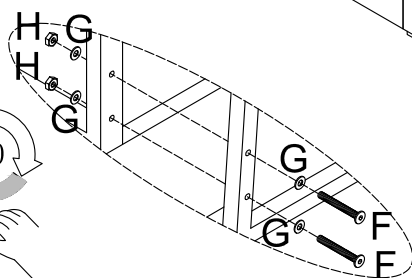
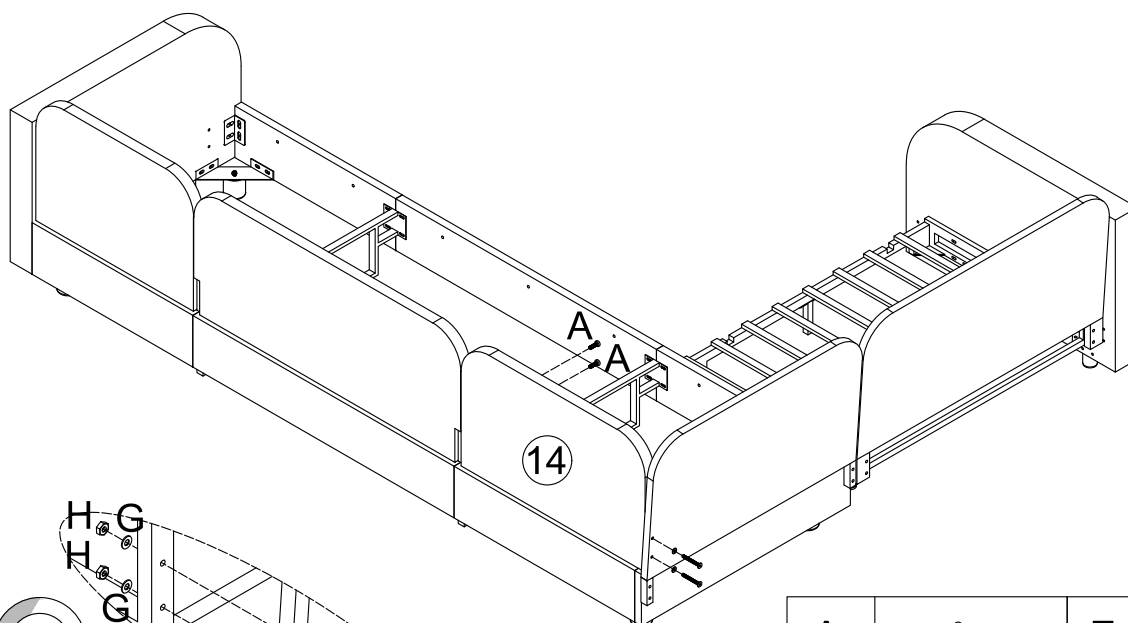
# Step 13


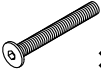




<b>C</b> M8×40	 x4
<b>G</b>	 x4

Please tighten the screws to 70% first.

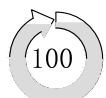
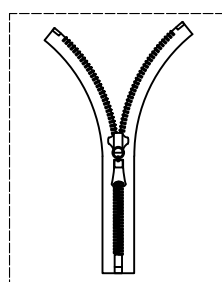
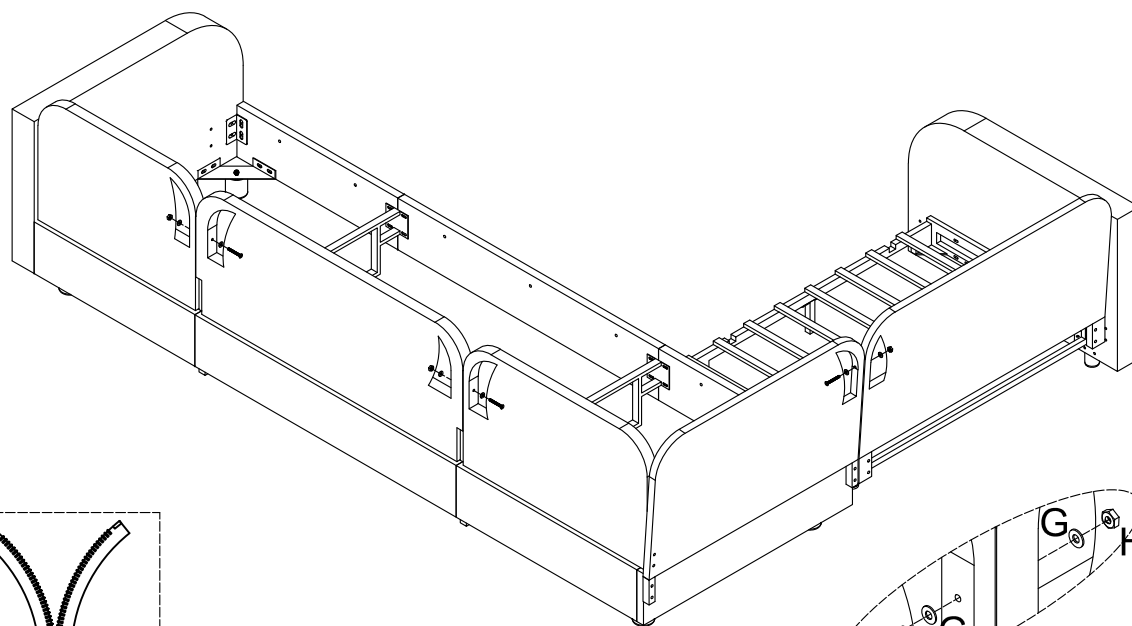
# Step 14



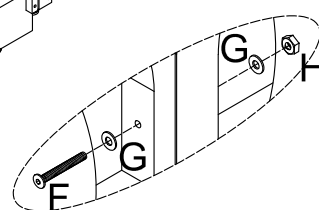
<b>A</b> M8×20	 x2	<b>F</b> M8×80	 x2
<b>G</b>	 x4	<b>H</b>	 x2

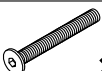


Please tighten the screws to 70% first.

# Step 15

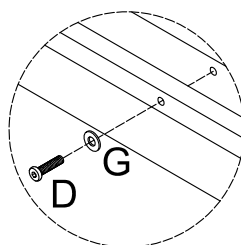
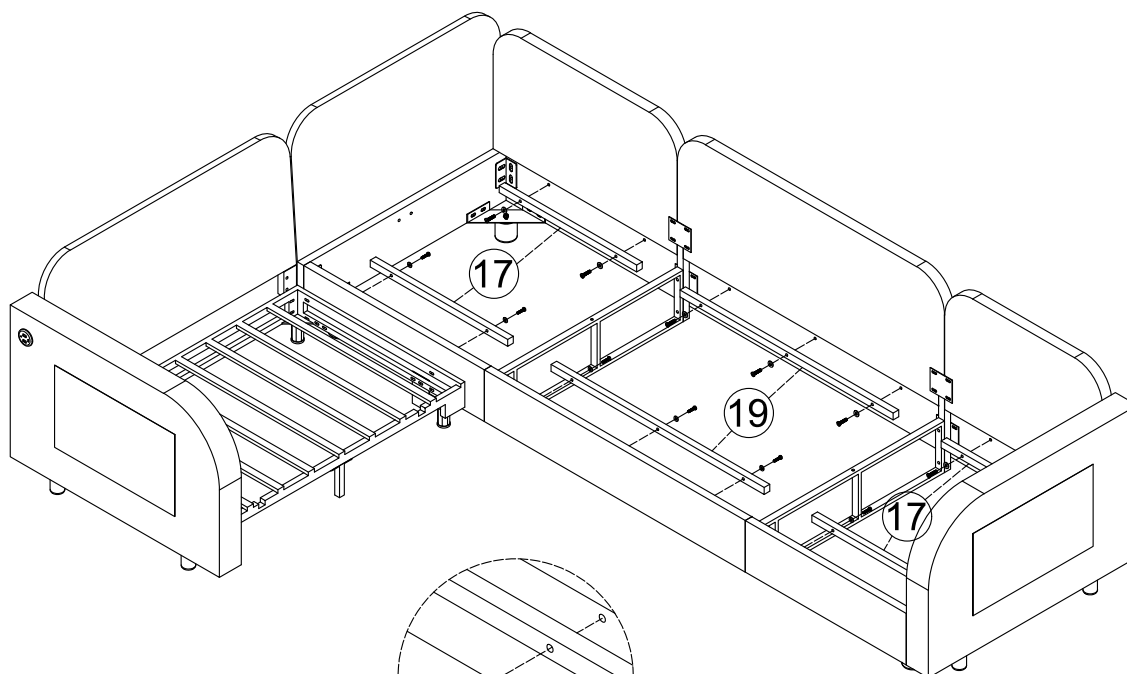


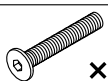

Tighten the screws here.



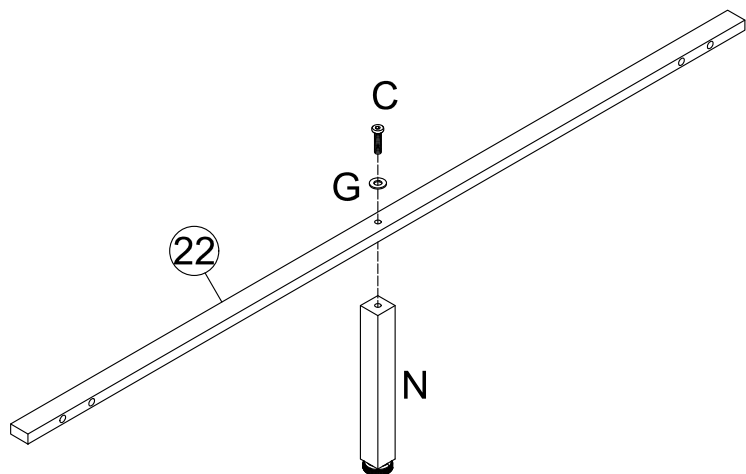
		<b>F</b> M8×80	 ×3
<b>G</b>	 ×6	<b>H</b>	 ×3

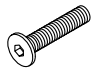


# Step 16



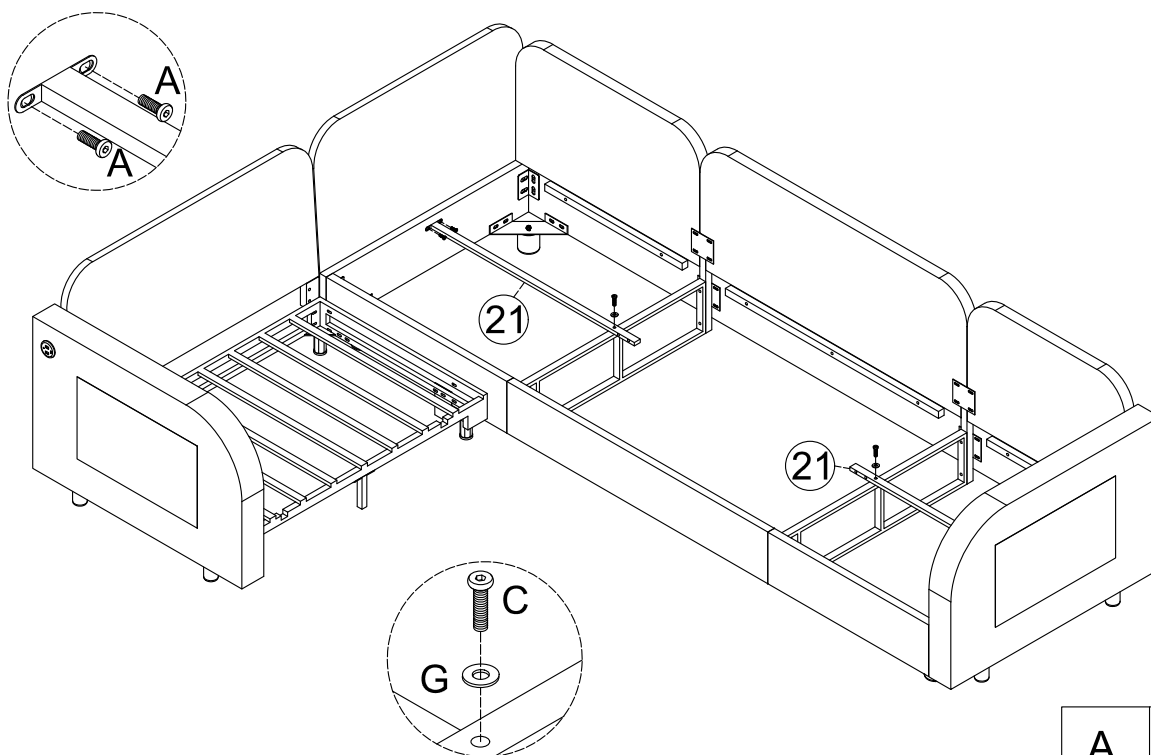
<b>D</b> M8×50	 ×14
<b>G</b>	 ×14


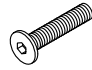

# Step 17



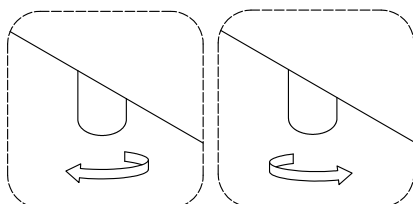
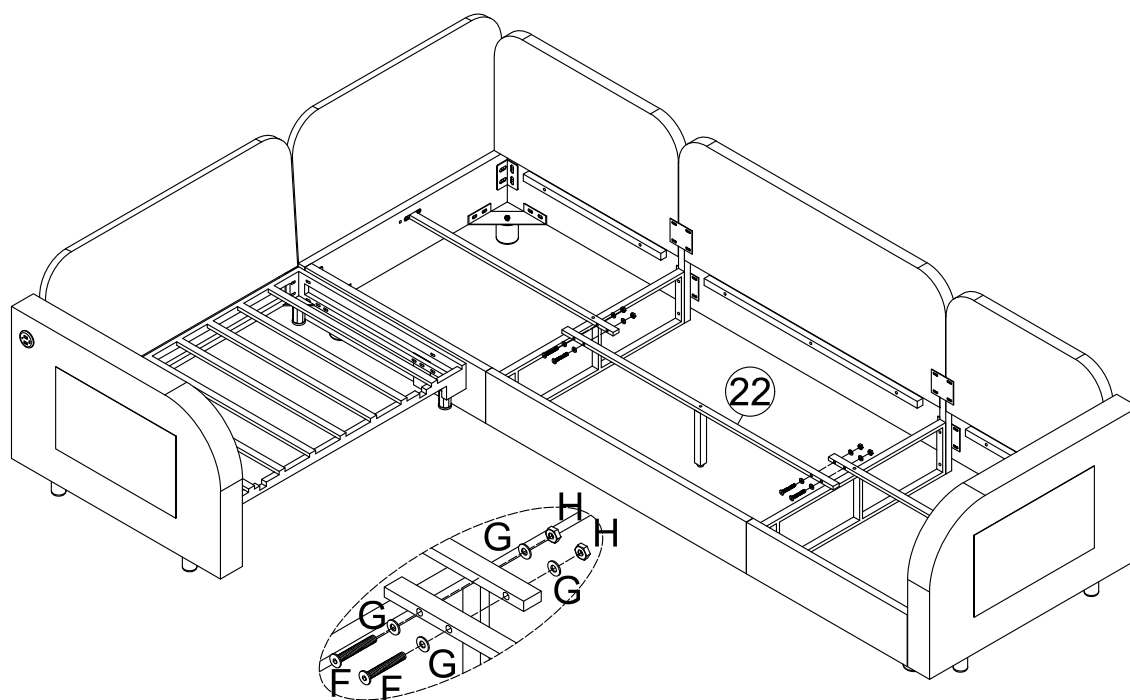
		C M8x40	 x1
G	 x1	N	 x1

# Step 18

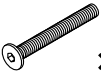




		A M8x20	 x4
C M8x40	 x2	G	 x2

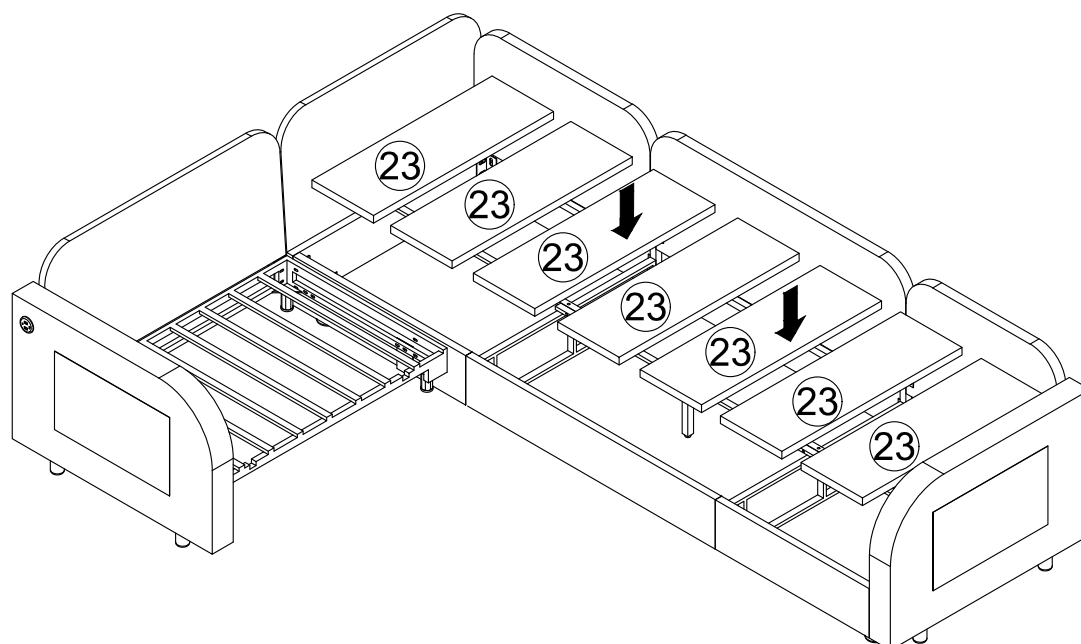
## Step 19



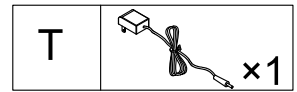
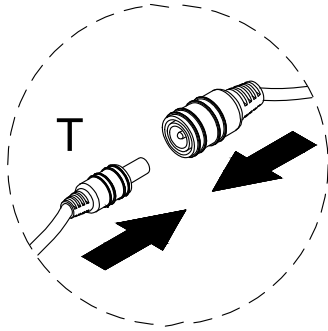
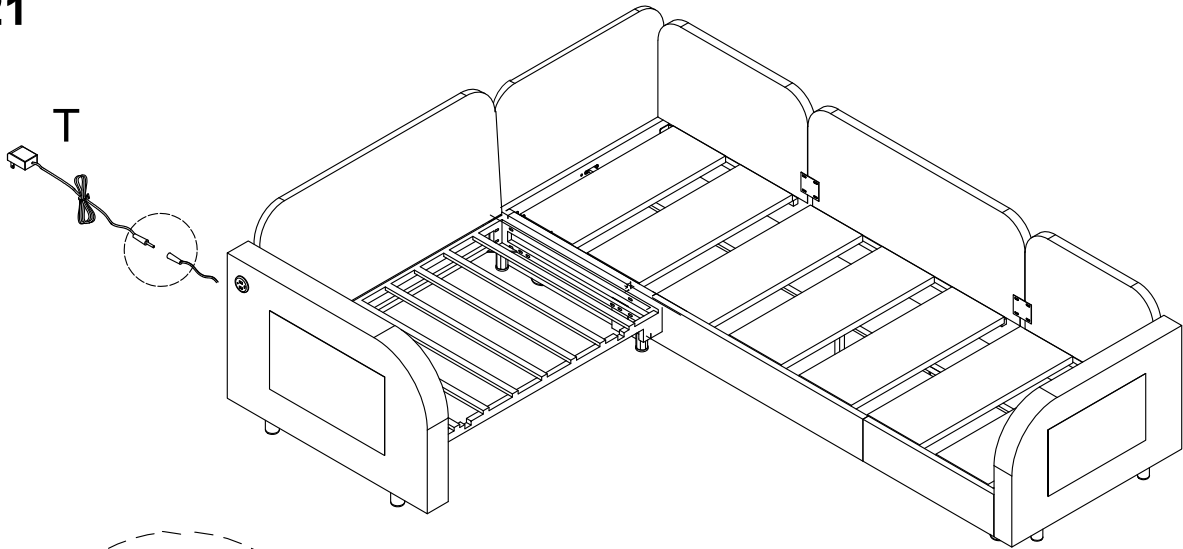
If the sofa is not positioned stably, you may adjust the height of its legs as follows.

		<b>F</b> M8×80	 x4
<b>G</b>	 x8	<b>H</b>	 x4

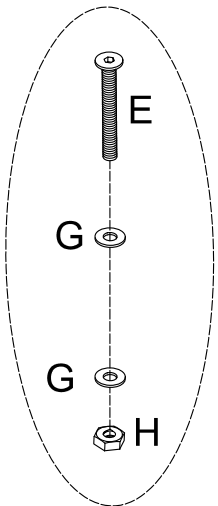
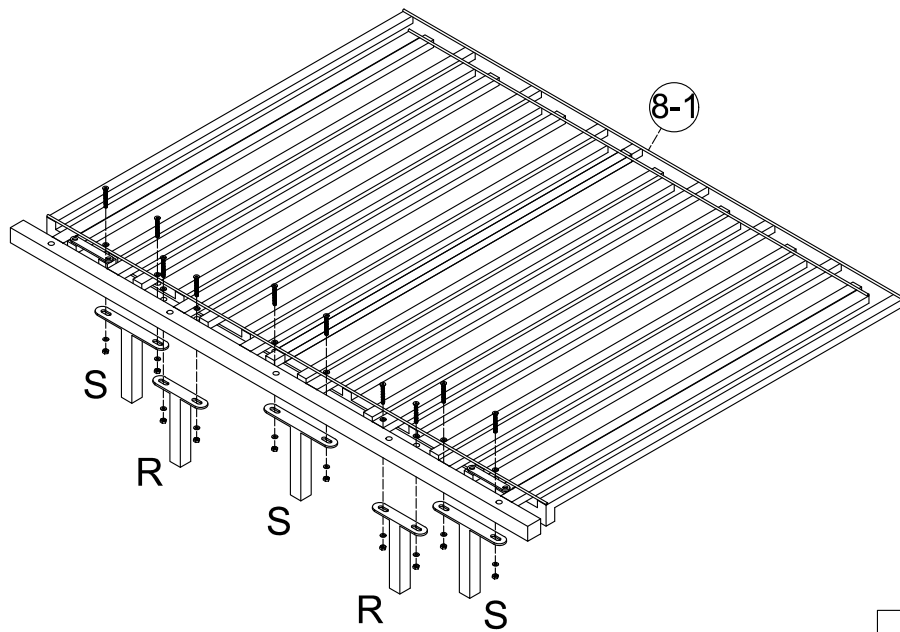
## Step 20

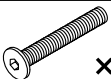






## Step 21

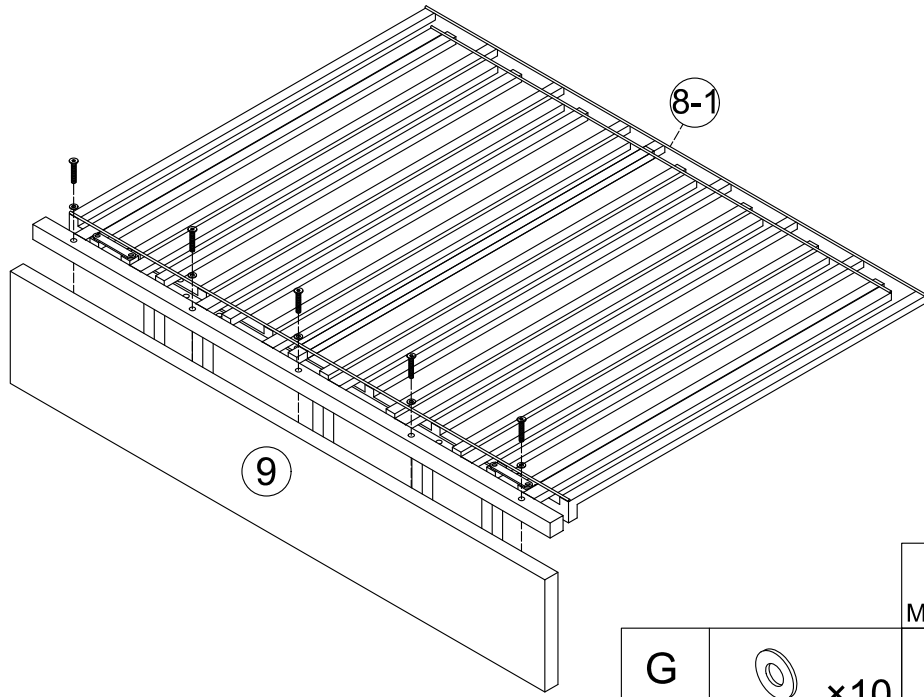
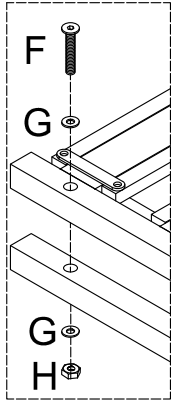





## Step 22



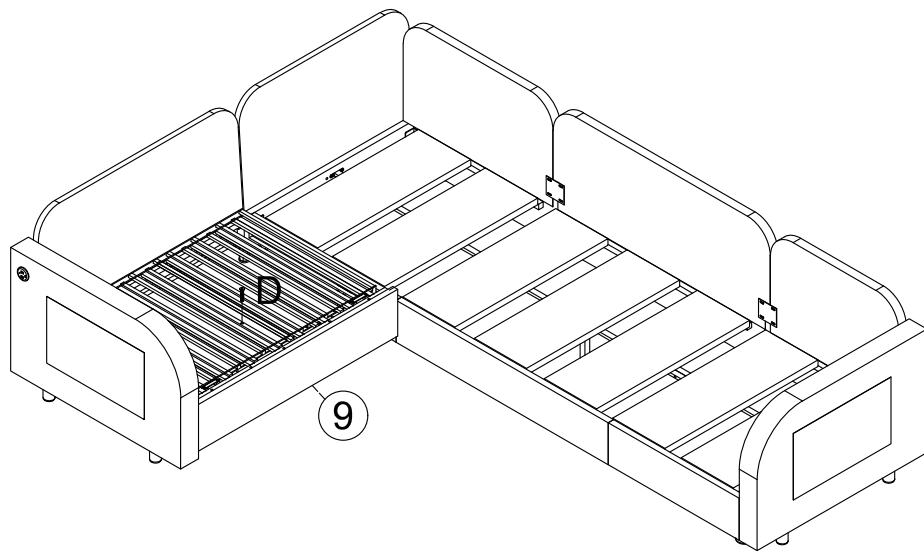
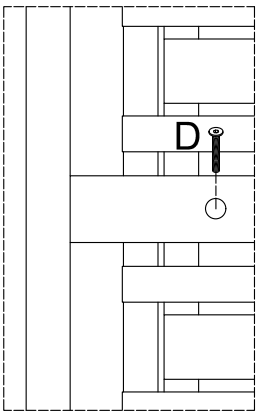
		E M8x55	 x10
G	 x20	H	 x10
R	 x2	S	 x3

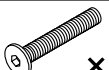
# Step 23



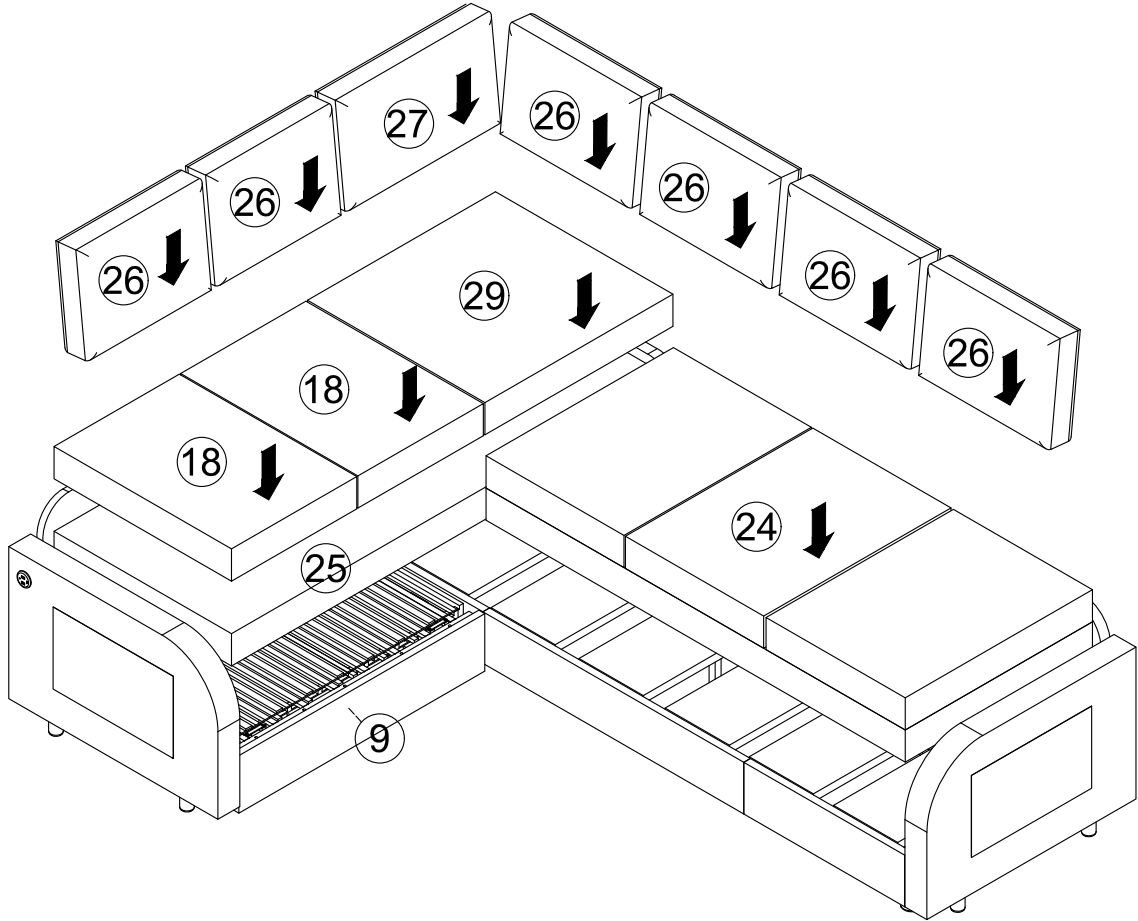
		F M8×80	 x5
G		x10	H  x5

# Step 24



D M8×50		x1
------------	---	----

Step 25



# Step 26

