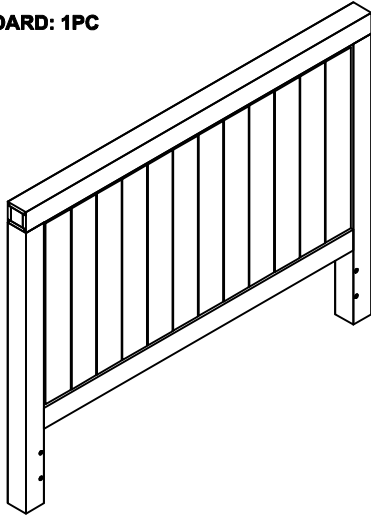


FULL/QUEEN BED ASSEMBLY INSTRUCTIONS

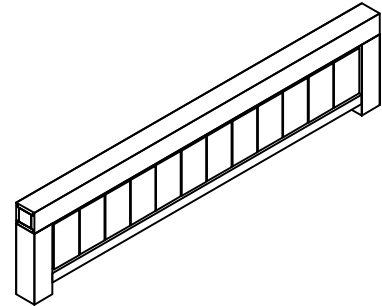
BOX #1

(A) HEADBOARD: 1PC



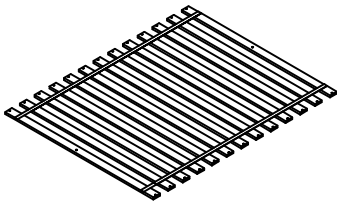
BOX #2

(B) FOOTBOARD: 1PC



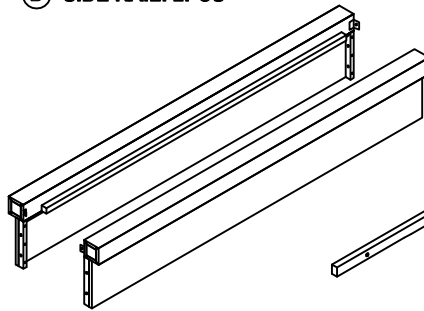
BOX #3

(C) SLAT ROLL : 1PC(12 SLATS)



BOX #4

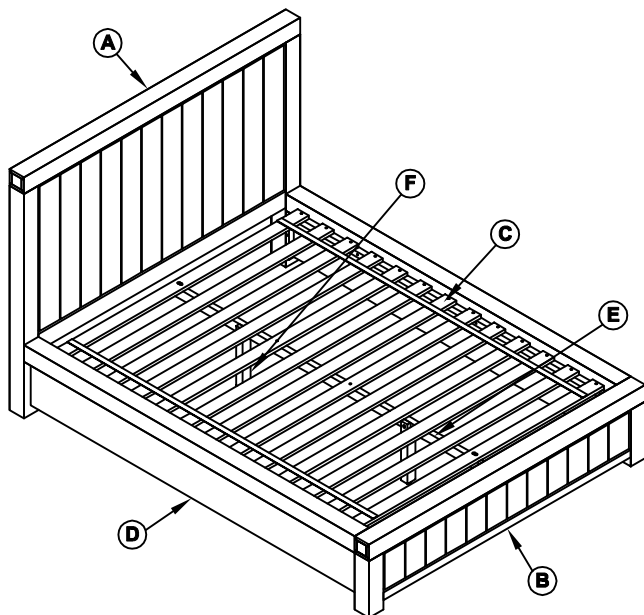
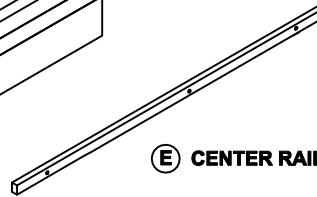
(D) SIDE RAIL: 2PCS



(F) CENTER LEGS: 3PCS



(E) CENTER RAIL: 1PC

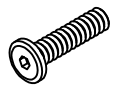


HARDWARE PACKED IN BOX #3

(1) ALLEN BOLT (M8x60): 8PCS



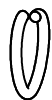
(2) ALLEN BOLT (M6x30): 5PCS



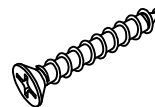
(3) FLAT WASHER (M8): 12PCS



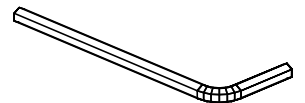
(4) LOCK WASHER (M8): 12PCS



(5) WOOD SCREW (M4x30): 28PCS



(6) ALLEN KEY: 1PC

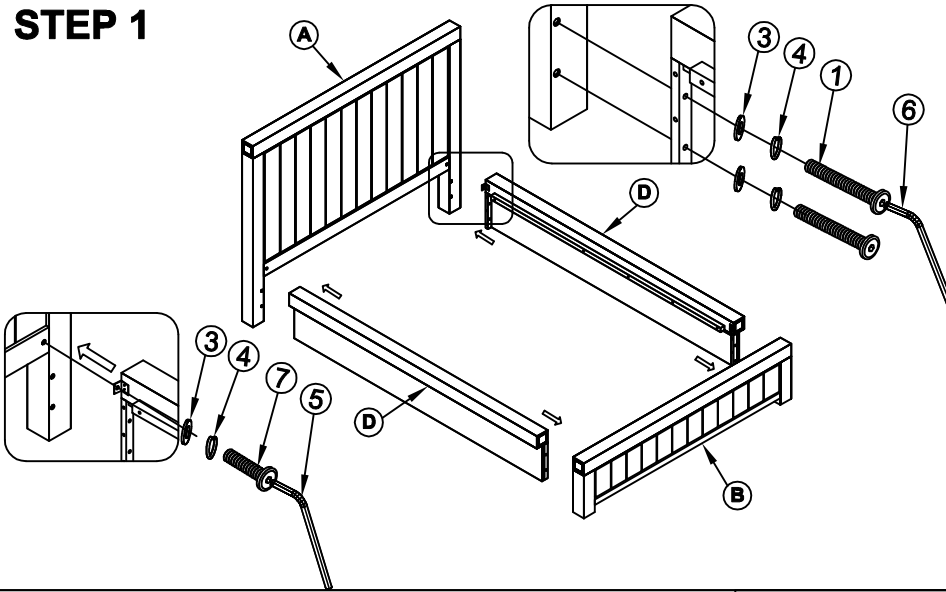


(7) ALLEN BOLT (M8x25): 4PCS

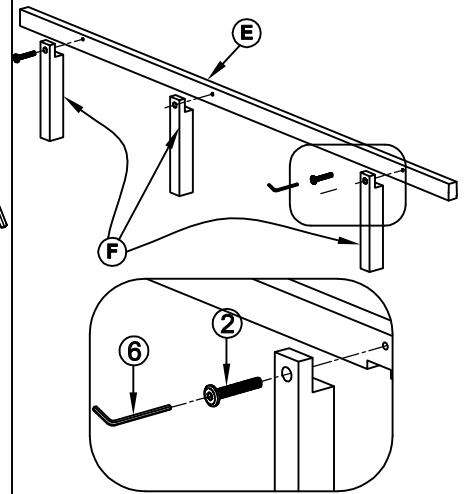


FULL/QUEEN BED ASSEMBLY INSTRUCTIONS

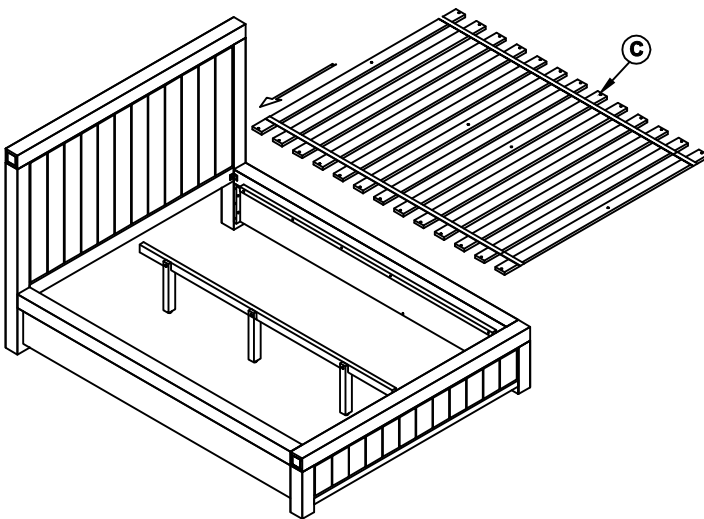
STEP 1



STEP 2

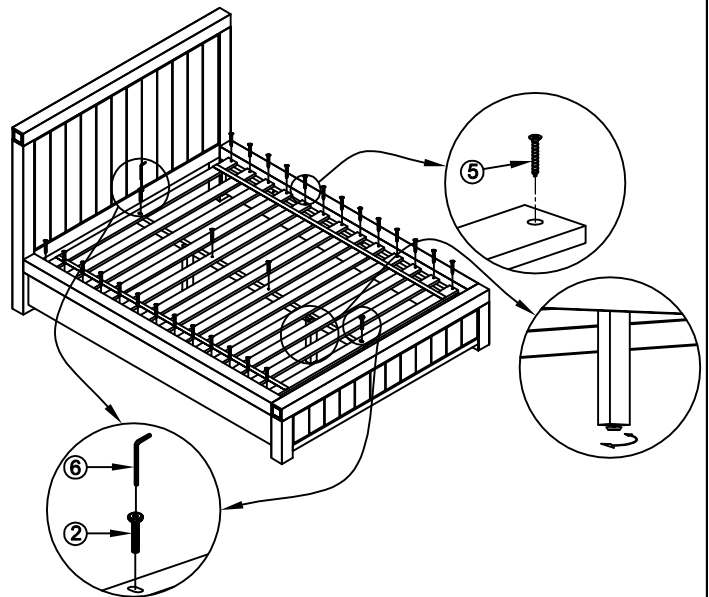


STEP 3



STEP 4

NOTE! Phillips head screw driver for wood screws is not included in hardware.

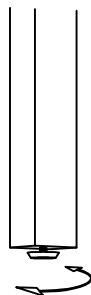


INSTRUCTIONS FOR ADJUSTING LEVELER :

Position the bed in your room locate levelers under each leg support.

Turn counter-clock wise to extend clockwise to contract.

Adjust levelers until each leg support is applying equal upward pressure on the bed slat.



MAINTENANCE INSTRUCTIONS :

- Remove box spring and mattress before moving your bed.
- Lift your bed when moving it. Dragging can damage leg support.
- Readjust levelers after moving your bed