
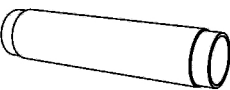

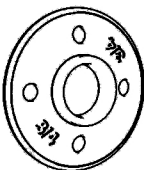
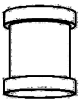
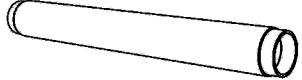
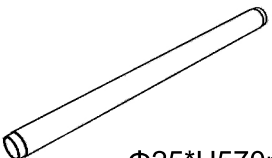
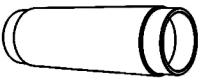
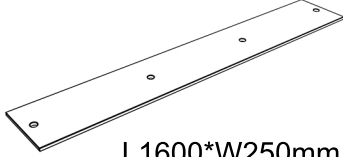
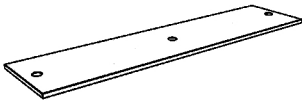


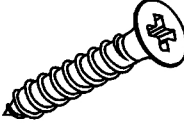


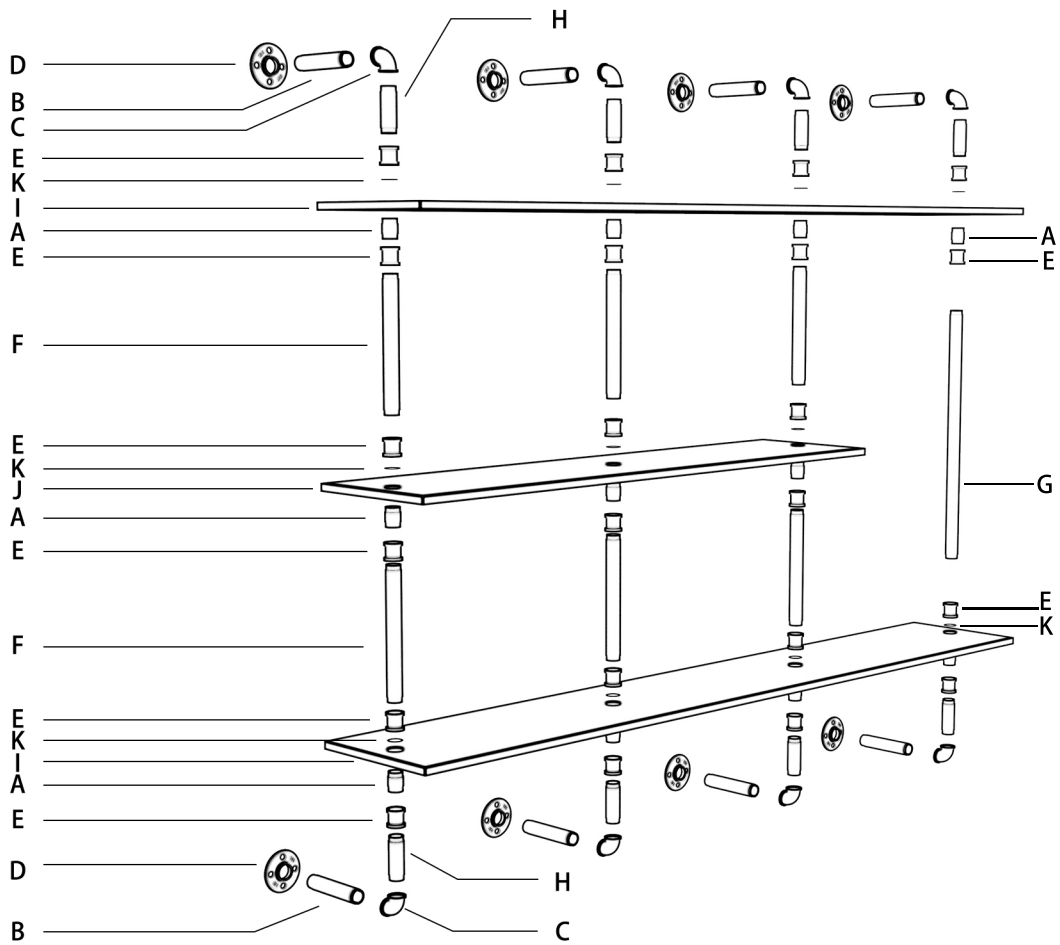
# Sku:6090-Caber-C4

## ASSEMBLY INSTRUCTION

### BILL OF MATERIAL (NUMBER AND QUANTITY)

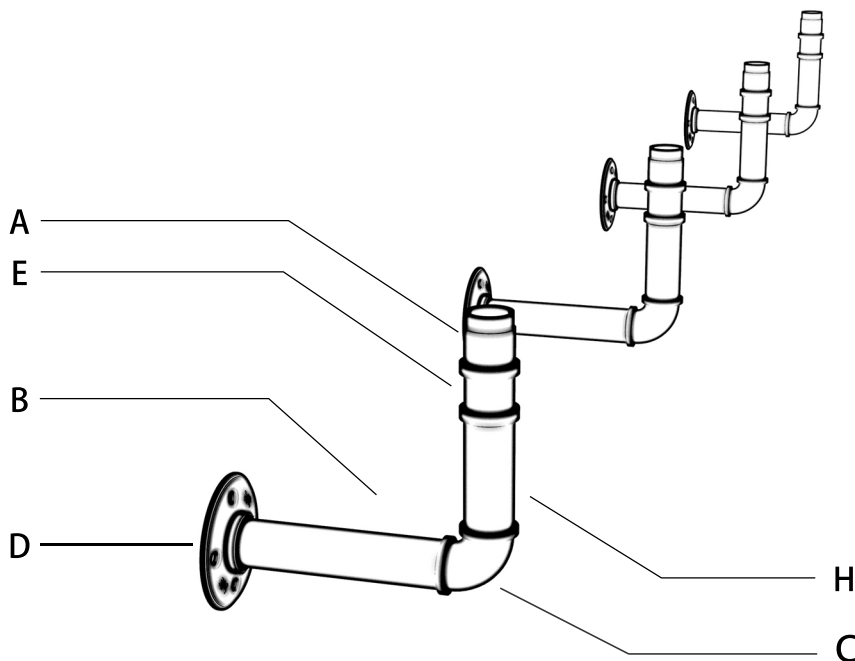
|   |    |   |   |    |  |
|---|----|---|---|----|--|
| A | 11 | <br>$\Phi 25 \times H35\text{mm}$    | B | 8  | <br>$\Phi 25 \times H100\text{mm}$  |
| C | 8  |                                      | D | 8  |                                     |
| E | 22 |                                     | F | 6  | <br>$\Phi 25 \times H250\text{mm}$ |
| G | 1  | <br>$\Phi 25 \times H570\text{mm}$ | H | 8  | <br>$\Phi 25 \times H90\text{mm}$ |
| I | 2  | <br>$L1600 \times W250\text{mm}$   | J | 1  | <br>$L1100 \times W250\text{mm}$  |
| K | 11 |                                    | L | 32 |                                   |
| M | 32 |                                    |   |    |  |

# Exploded View

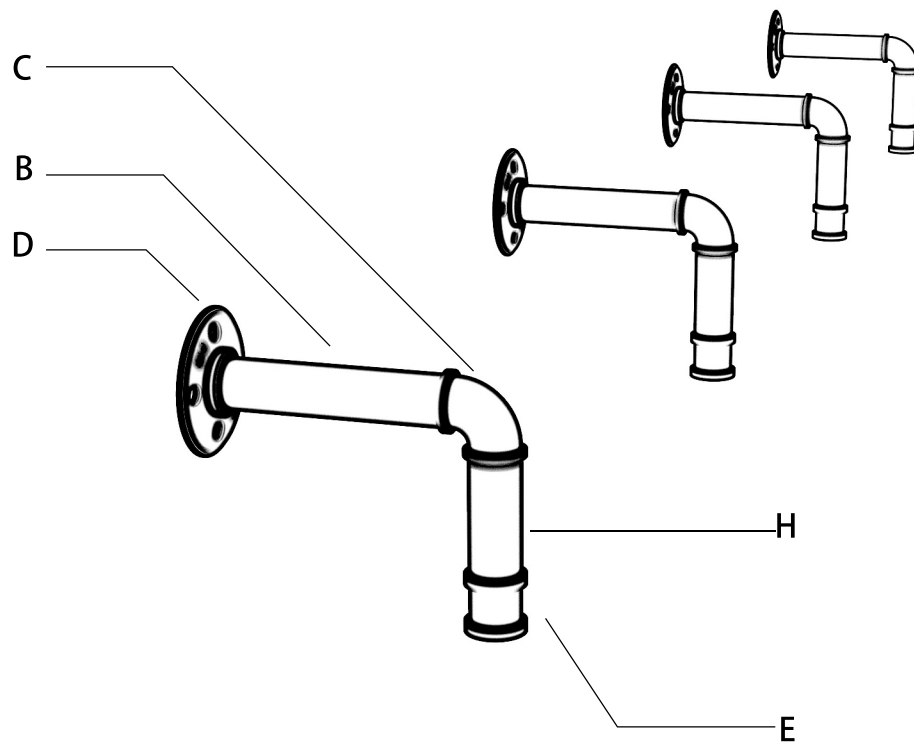


# Installation procedures

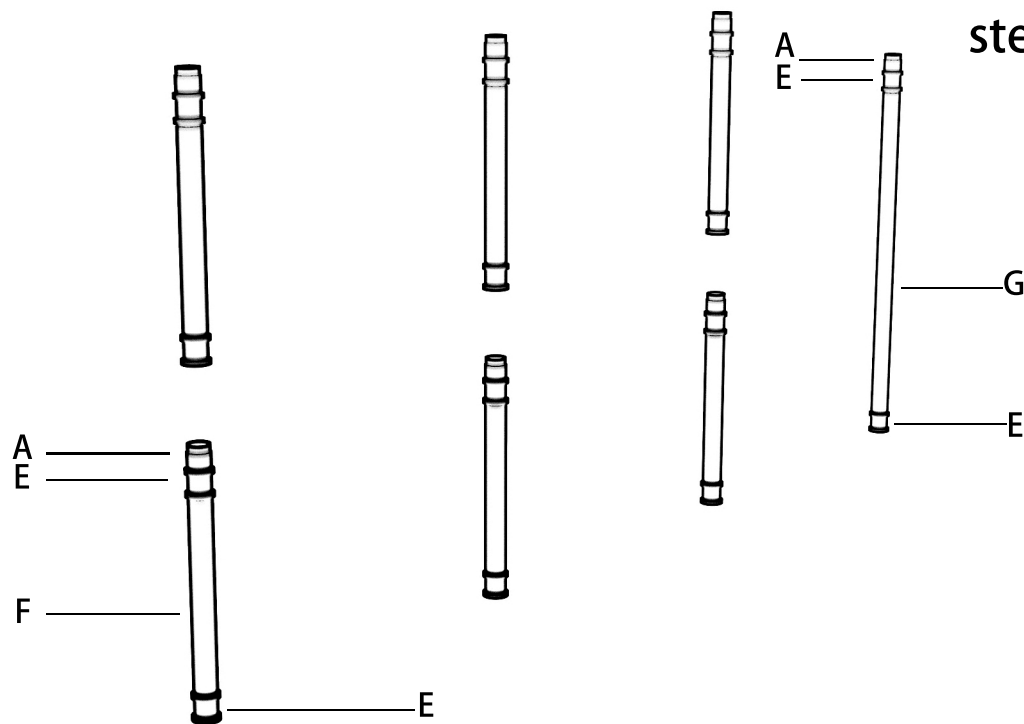
step 1

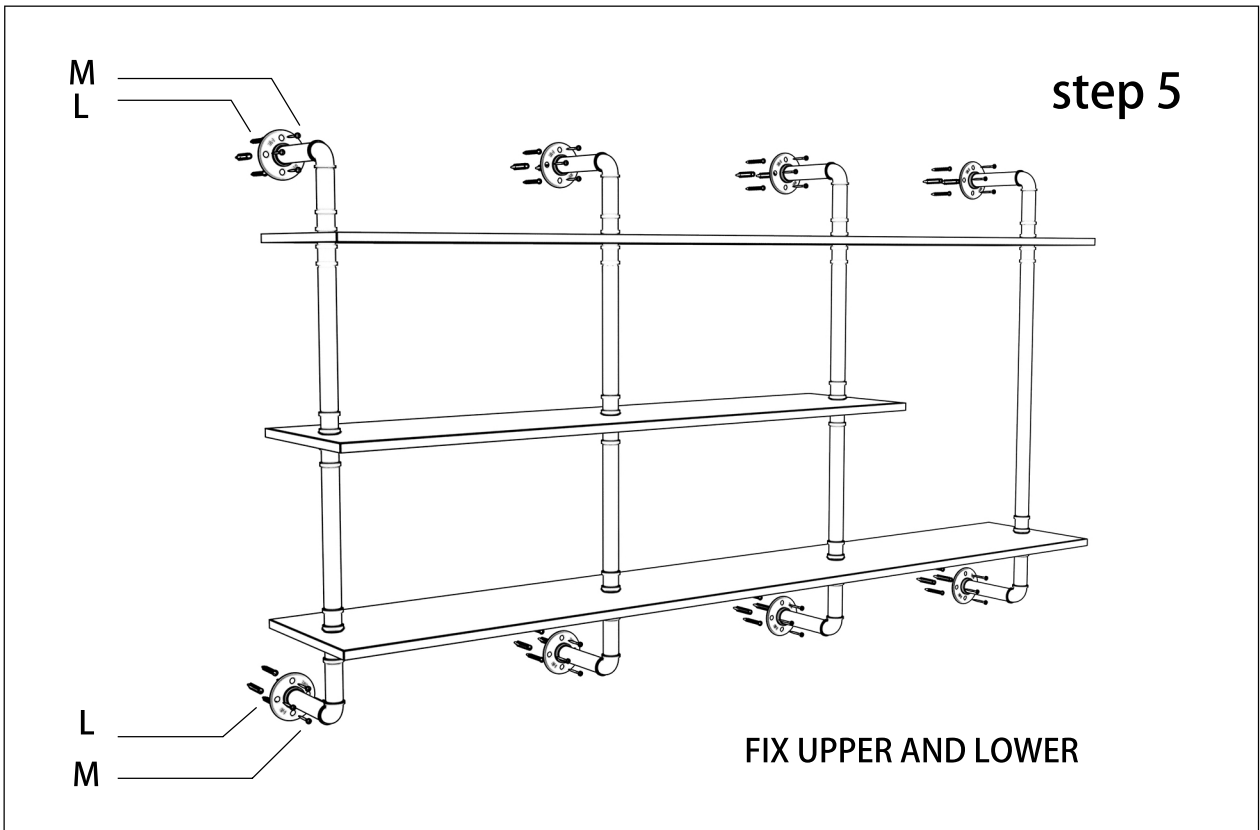
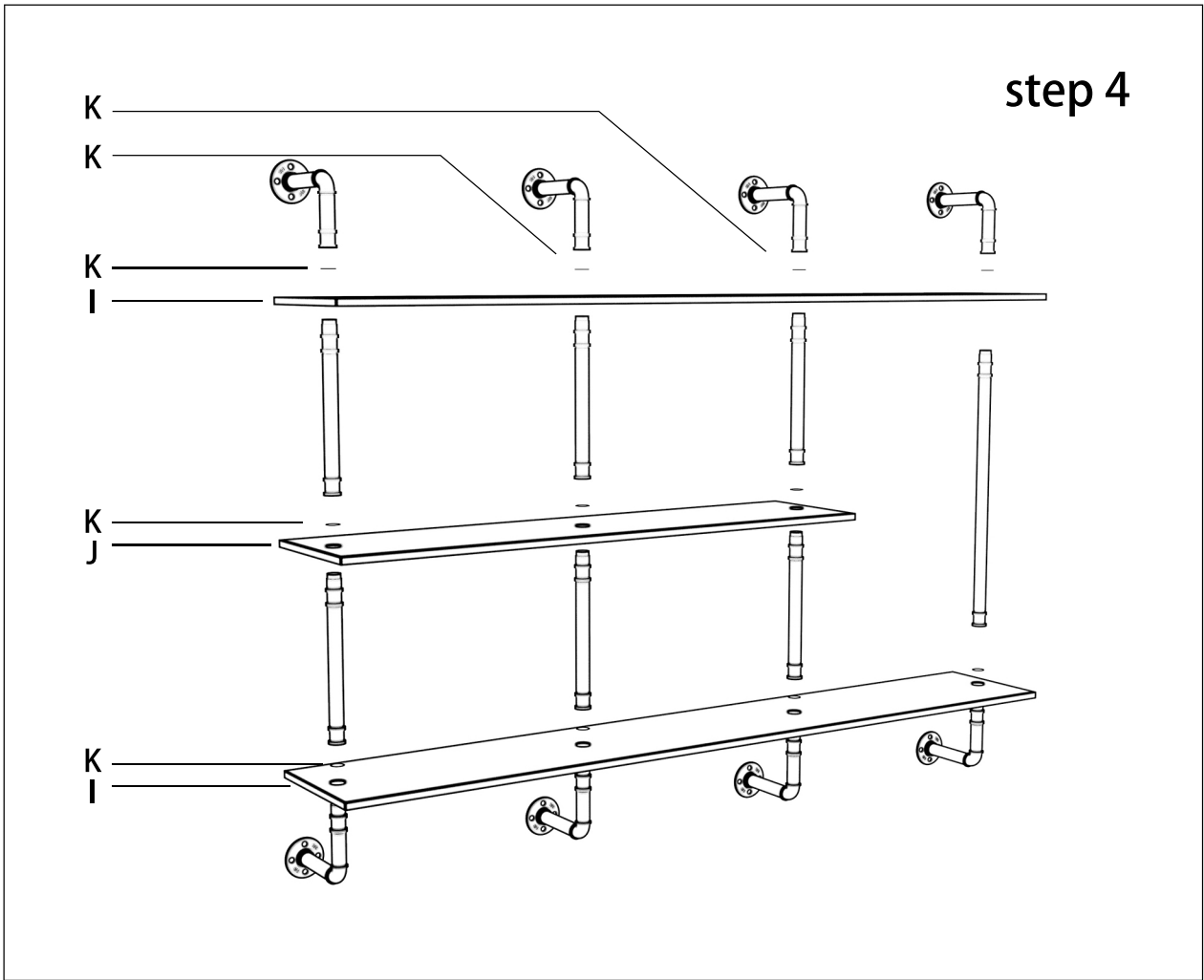


step 2



step 3





# COMPLETED DRAWING

