

BRIZO®

TEMPASSURE® THERMOSTATIC VALVE WITH INTEGRATED DIVERTER TRIM

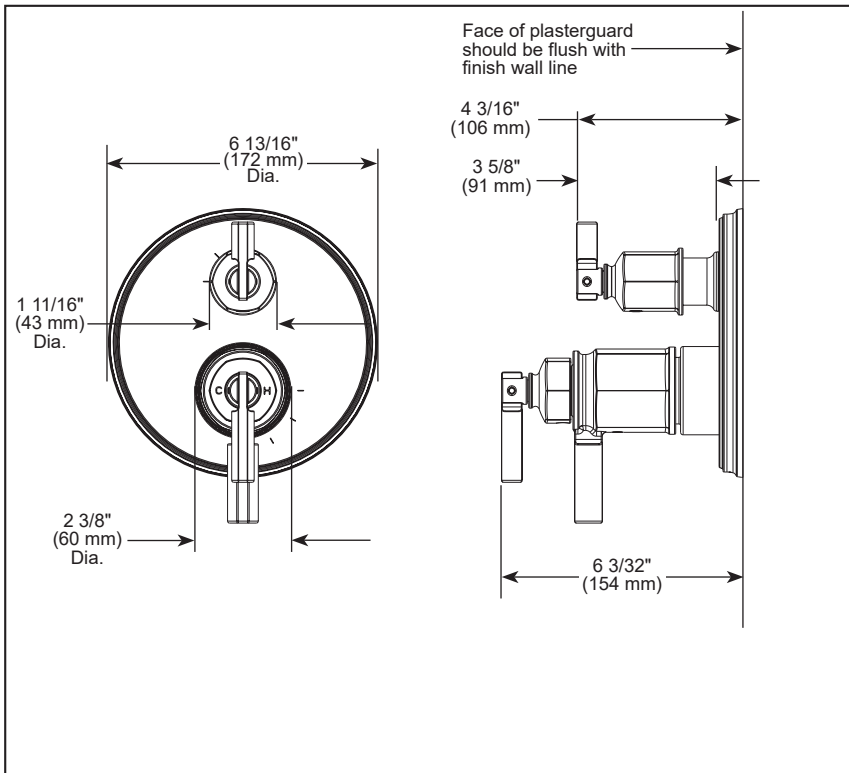
- Invari® Bath Collection
- MultiChoice® Valve Trim with Three Function Diverter

FEATURES:

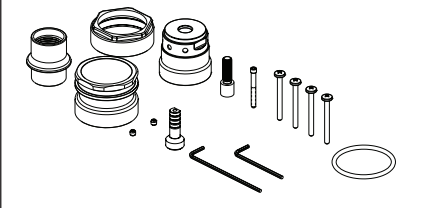
- TempAssure® thermostatic valve cartridge

STANDARD SPECIFICATIONS:

- Main control utilizes TempAssure® thermostatic valve cartridge.
- Thermostatic wax element maintains the outlet temperature to $\pm 3.6^\circ$ F.
- Back-to-back installation capability
- For use with MultiChoice® Universal Integrated Shower Diverter Rough (R75000 Series)
- Max. system flow rate 7.2 gpm @ 60 psi with R75000
- Top handle controls diverter functions.
- Bottom (2) handles control volume and temperature.
- Field adjustable to limit temperature handle rotation into hot water zone.
- Bottom volume handle 90° maximum rotation.
- Hot/cold indicator markings.
- Three function diverter has 2 individual positions and 1 shared position.
- For two individual functions, no shared functions, order additional RP72123.
- $1/2$ " rough-in.
- Cartridges included.
- Standard installation allows up to $1 1/8$ " finished wall thickness.
- Thick wall installation kit RP90545▲ can be ordered to allow for up to $2 1/8$ " finished wall thickness.



RP90545▲
Available Thick Wall Installation Kit



▲Designate Proper Finish Suffix

WARRANTY

- Parts and Finish - Lifetime limited warranty; or for commercial purchasers, 10 years for multi-family residential (apartments and condominiums) and 5 years for all other commercial uses, in each case from the date the product is received by the original purchaser or their authorized representative (installation contractor, etc.).
- Electronic Parts and Batteries (if applicable) - 5 years from the date the product is received by the original purchaser or their authorized representative (installation contractor, etc.); or for commercial purchasers, 1 year from the date the product is received by the original purchaser or their authorized representative (installation contractor, etc.). No warranty is provided on batteries.

COMPLIES WITH:

- ASME A112.18.1 / CSA B125.1
- ICC/ANSI A117.1