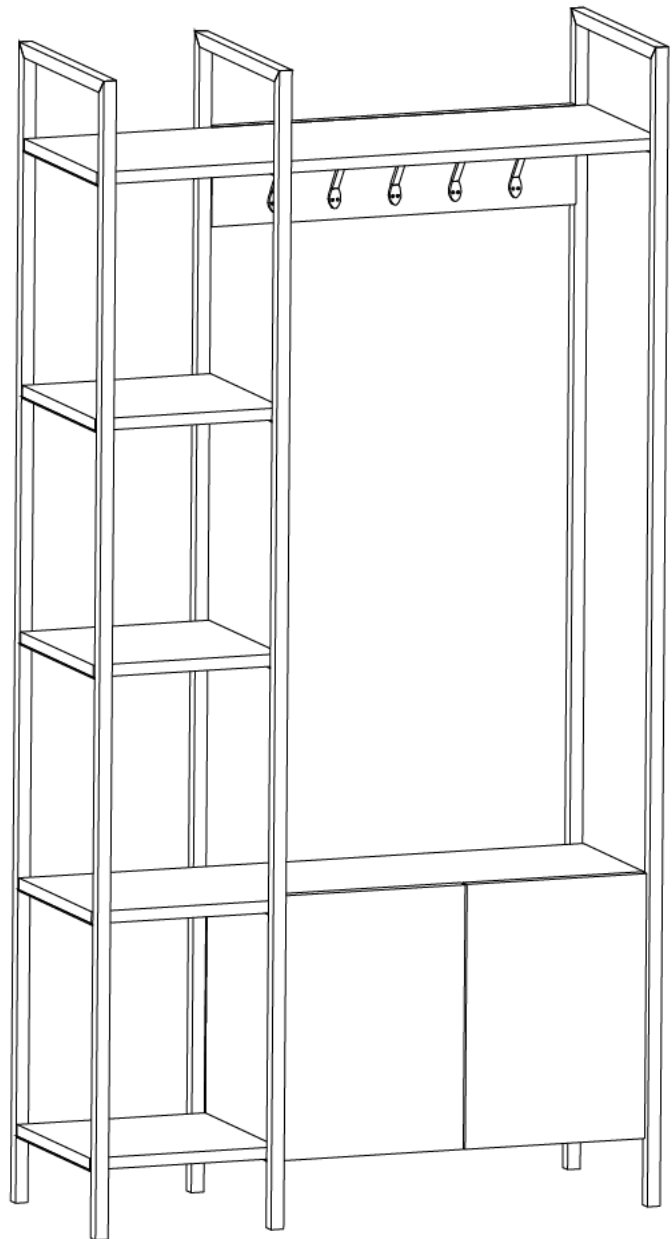
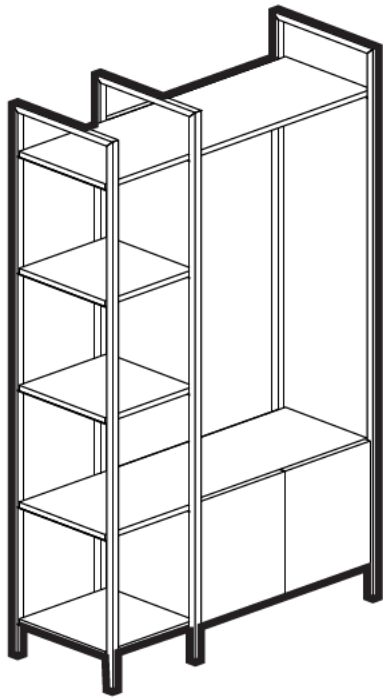


# Hall Tree

## Assembly Instruction

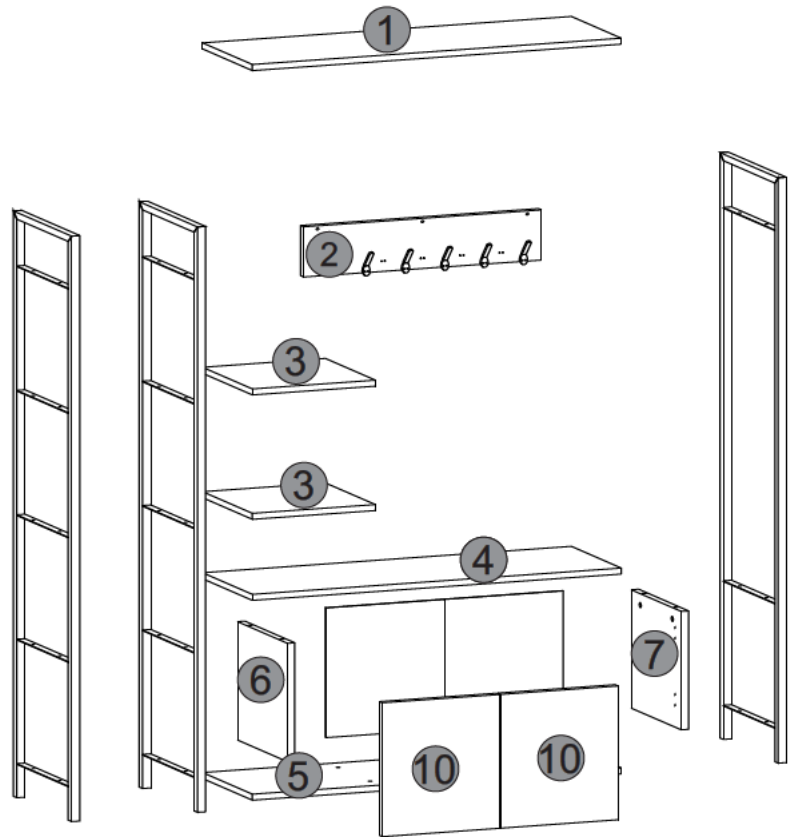


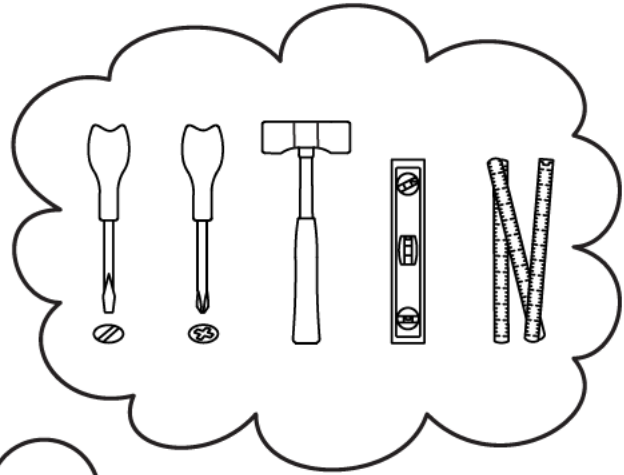
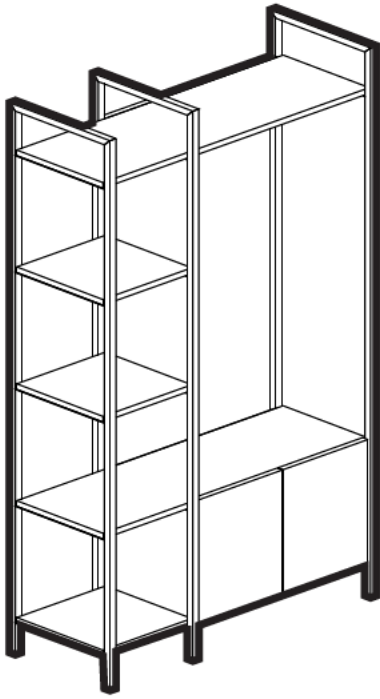


# Hall Tree

## Disassembled Parts

Part#1	1x
Part#2	1x
Part#3	2x
Part#4	1x
Part#5	1x
Part#6	1x
Part#7	1x
Part#10	2x
<b>Total</b>	<b>10x</b>



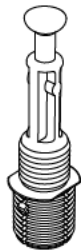


## Tools & Installation Components



A02 minifix head

4x



A03 minifix screw

4x



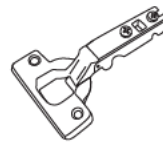
A17 6x50 screw

7x



A23 4x50 screw

1x



C1 hinge base

4x



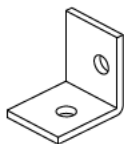
C4 hinge mounting plate

4x



mtd-094 hook

5x



L01 L-Bracket

1x



A21 3,5x25 screw

10x



D1 4x40 Rawlplug

1x



A19 3,5x18 screw

45x

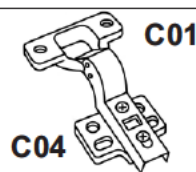


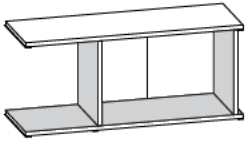
A28 nail

15x

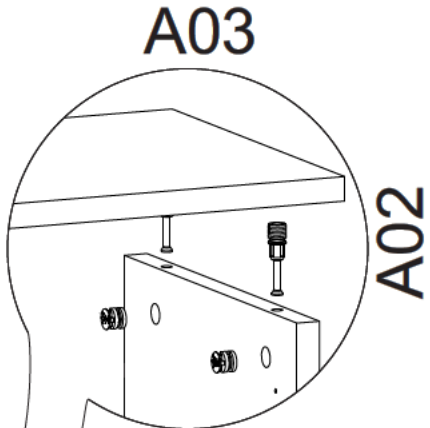
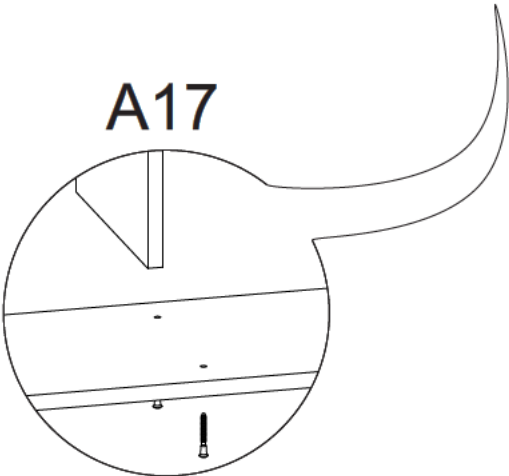
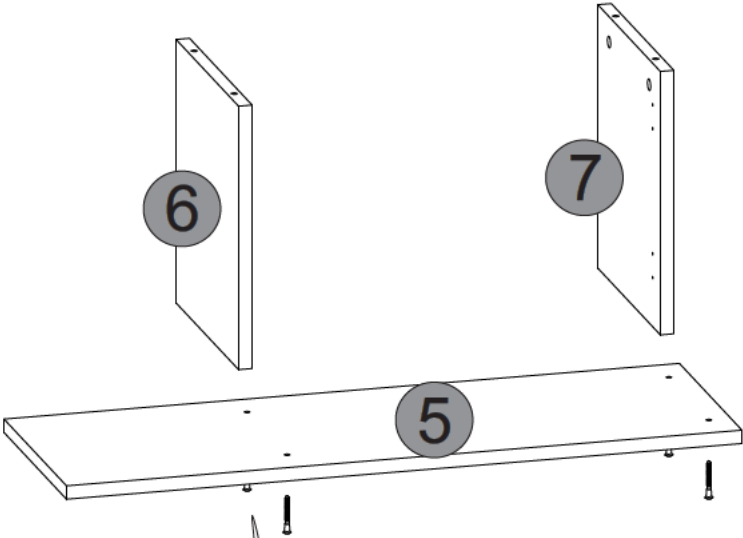


Please be aware that C01(bracket) and C04(pivot) parts may come as attached together.

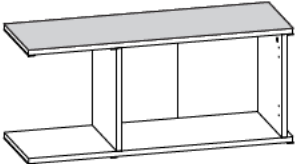
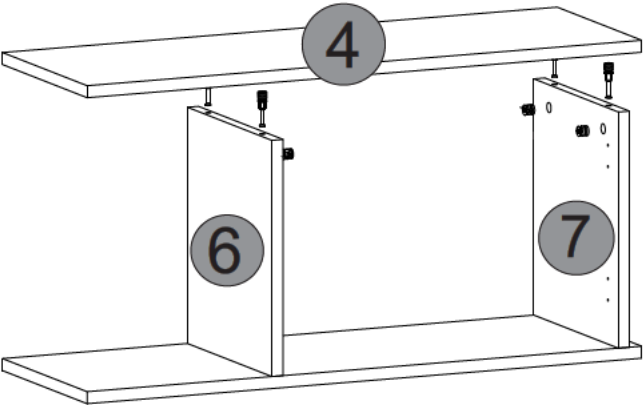




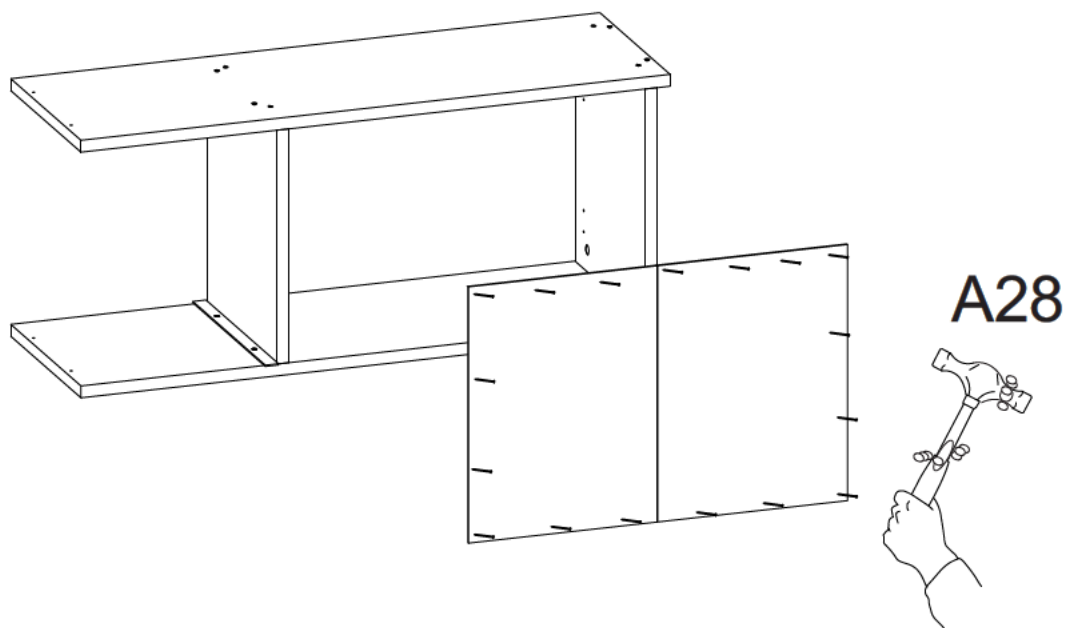
**Step 1**



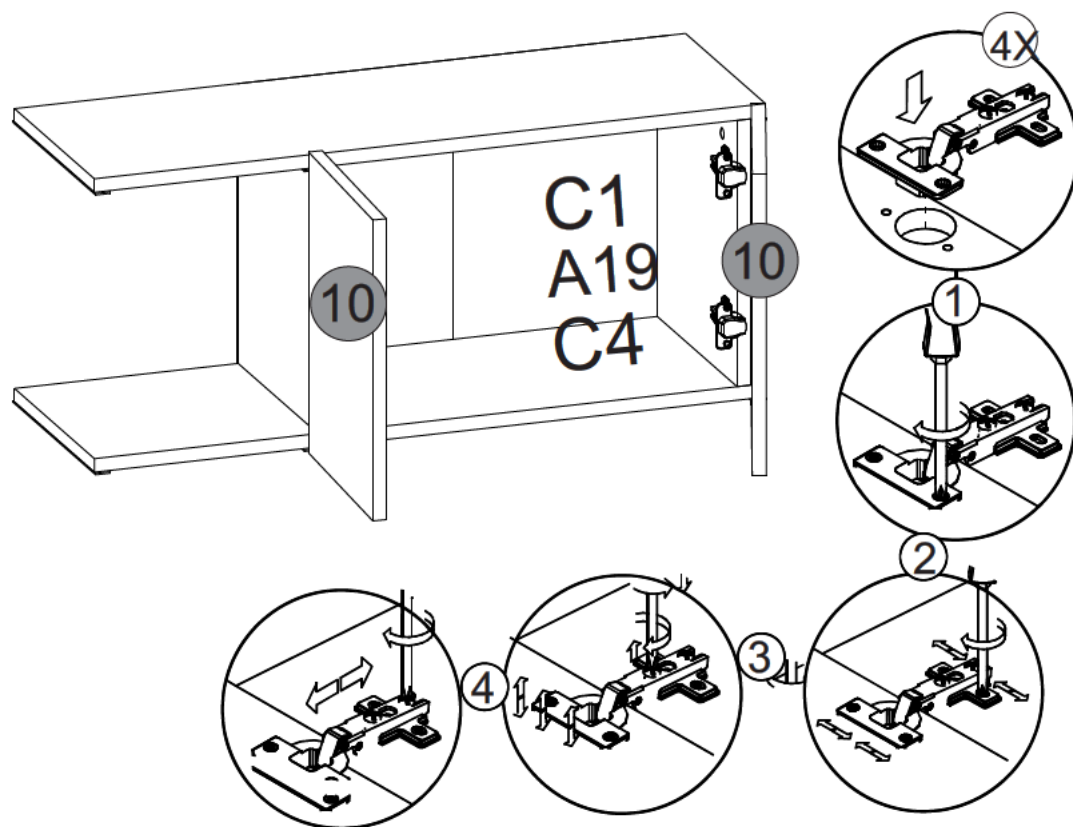
**Step 2**



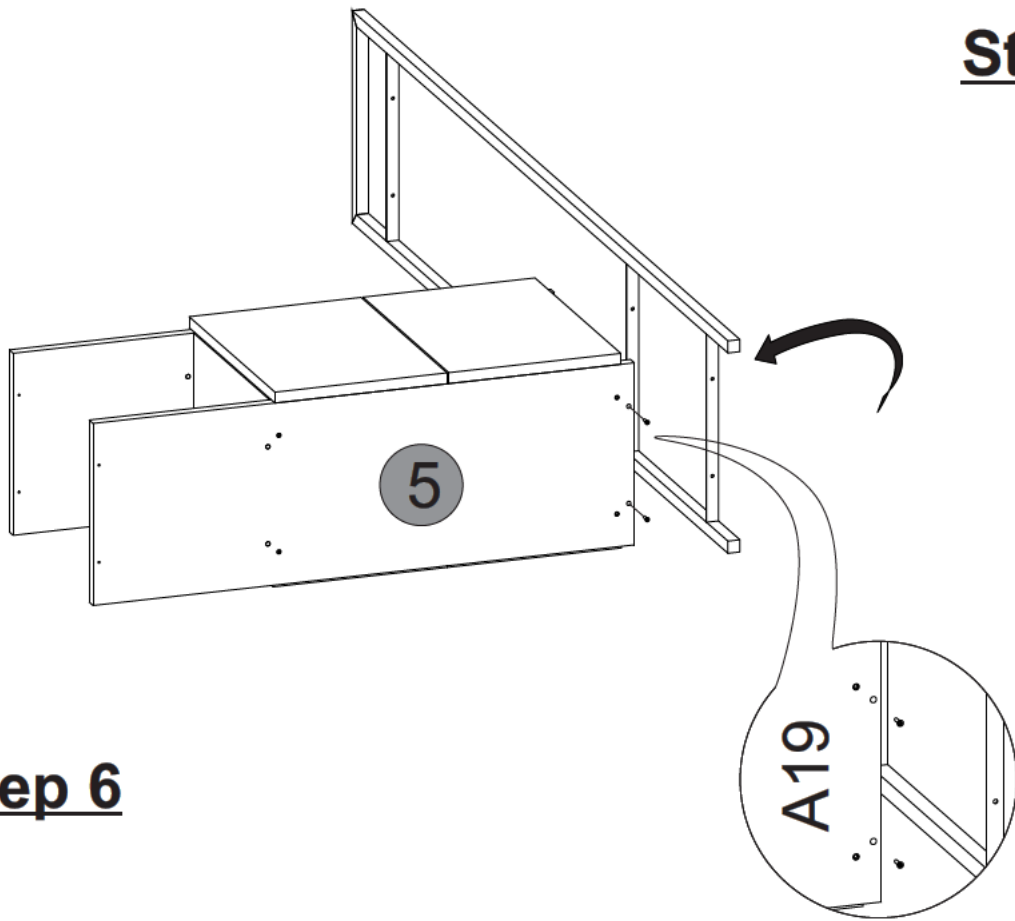
## Step 3



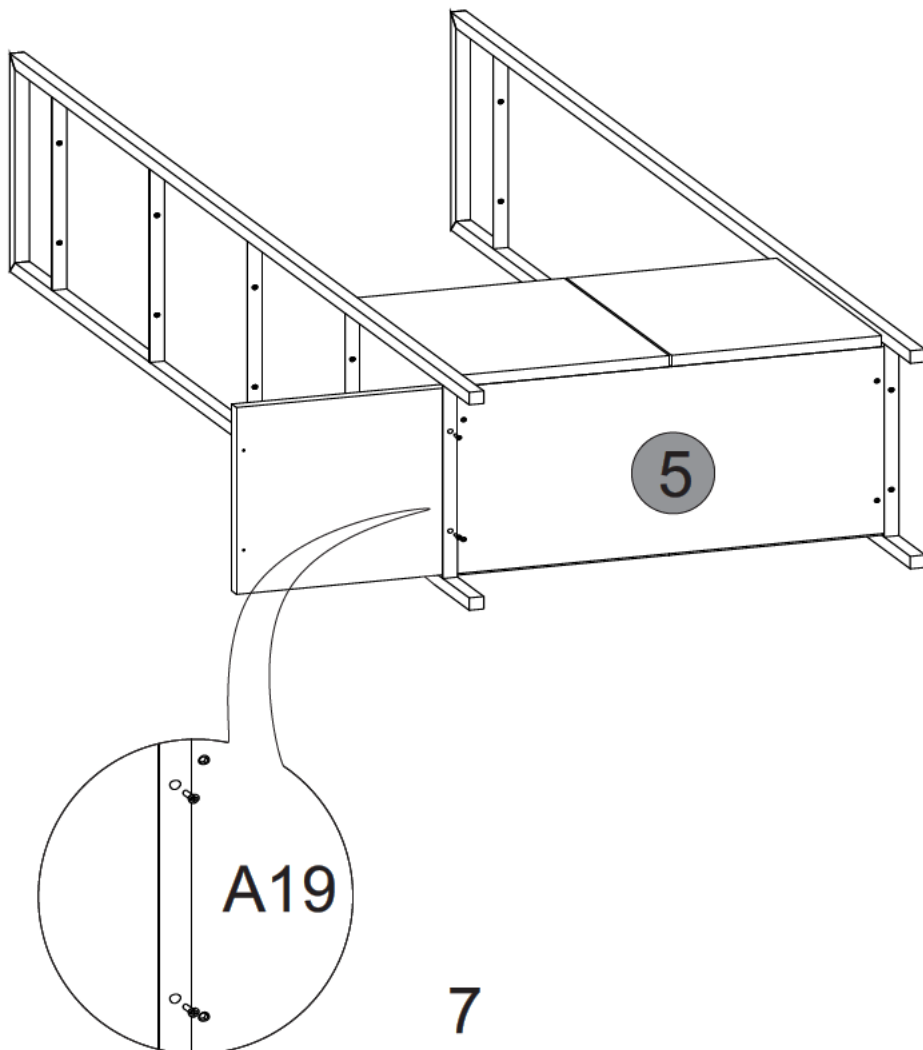
## Step 4



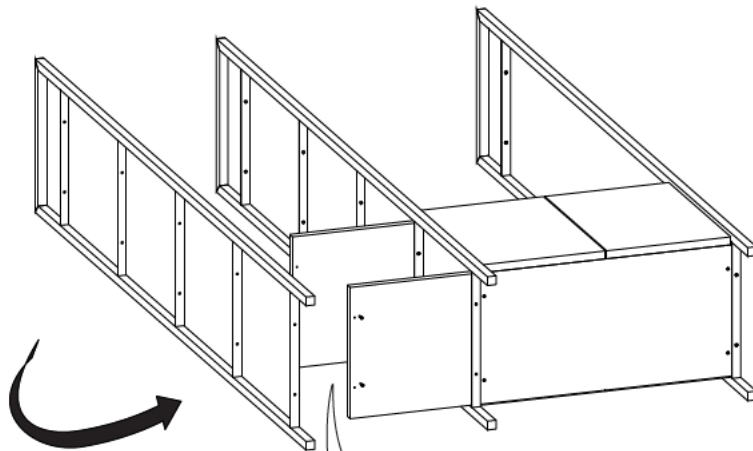
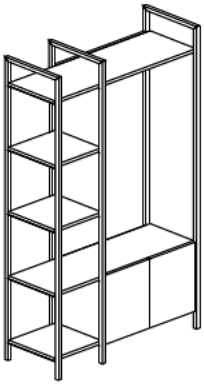
## Step 5



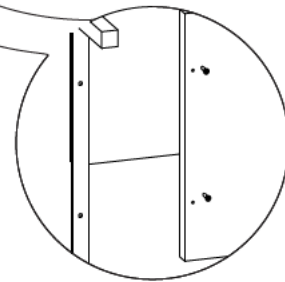
## Step 6



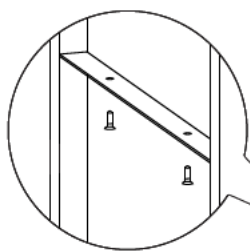
## Step 7



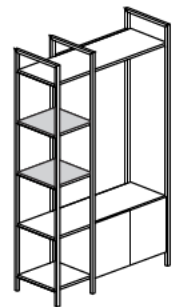
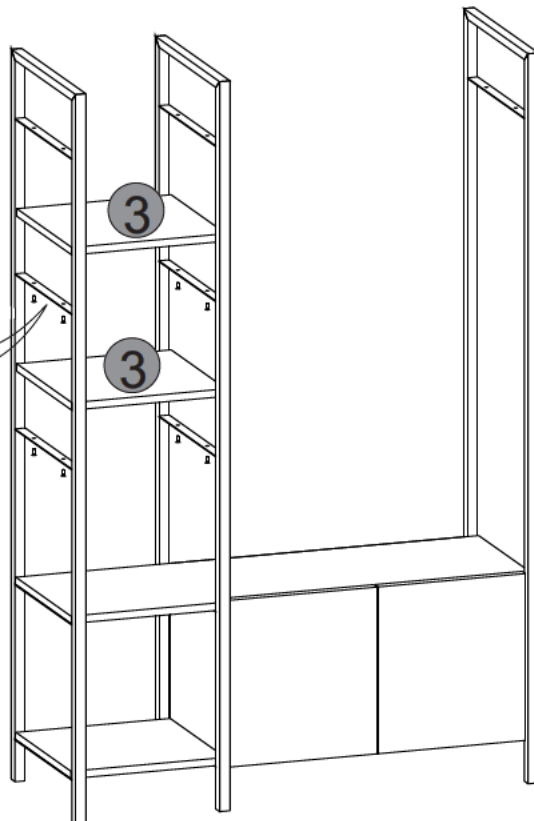
## Step 8



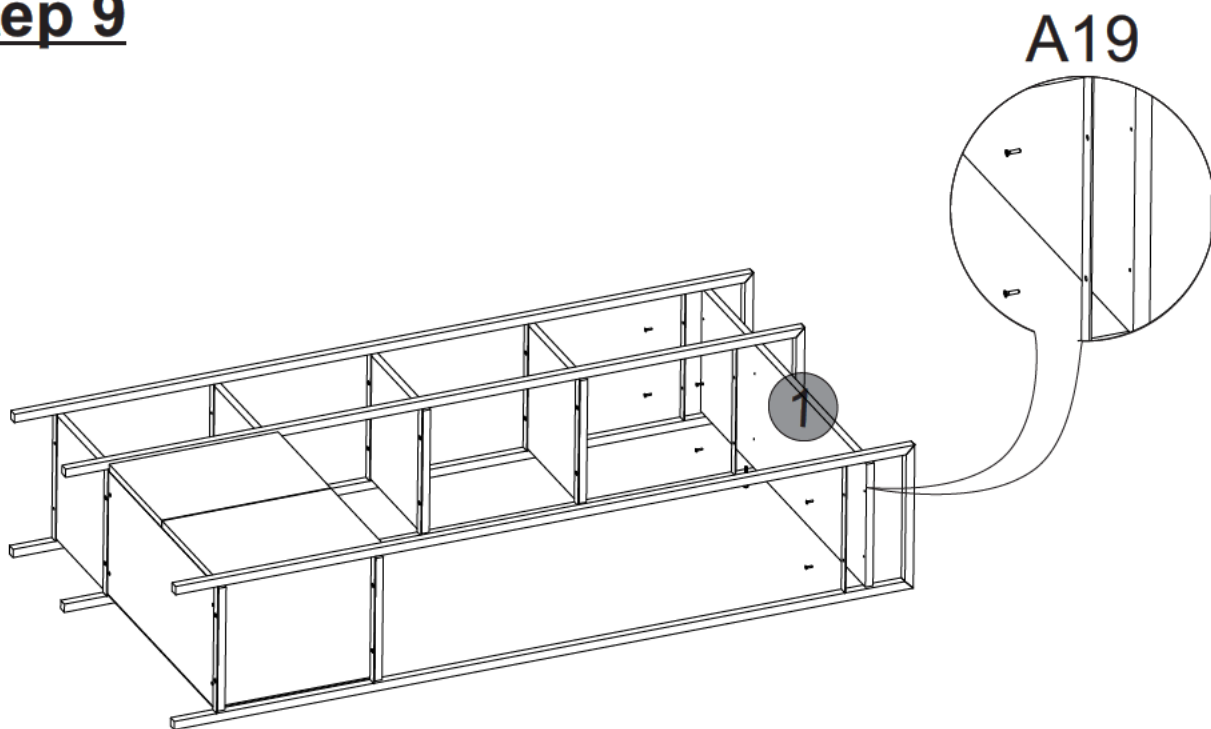
A19



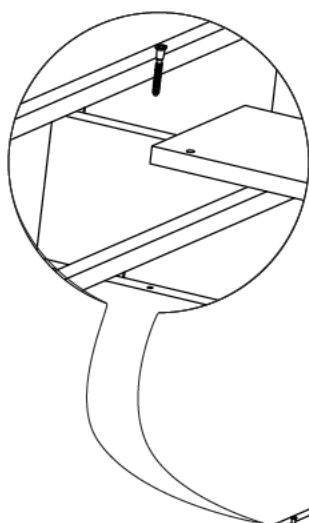
A19



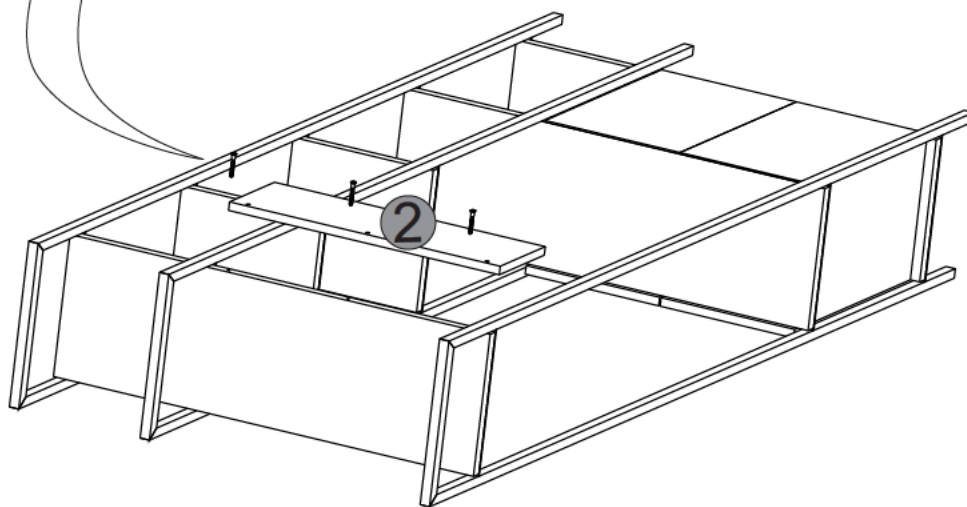
## Step 9



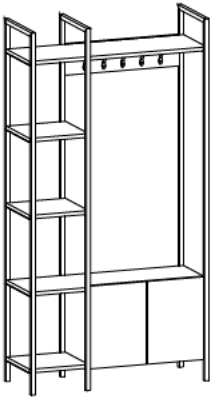
A17



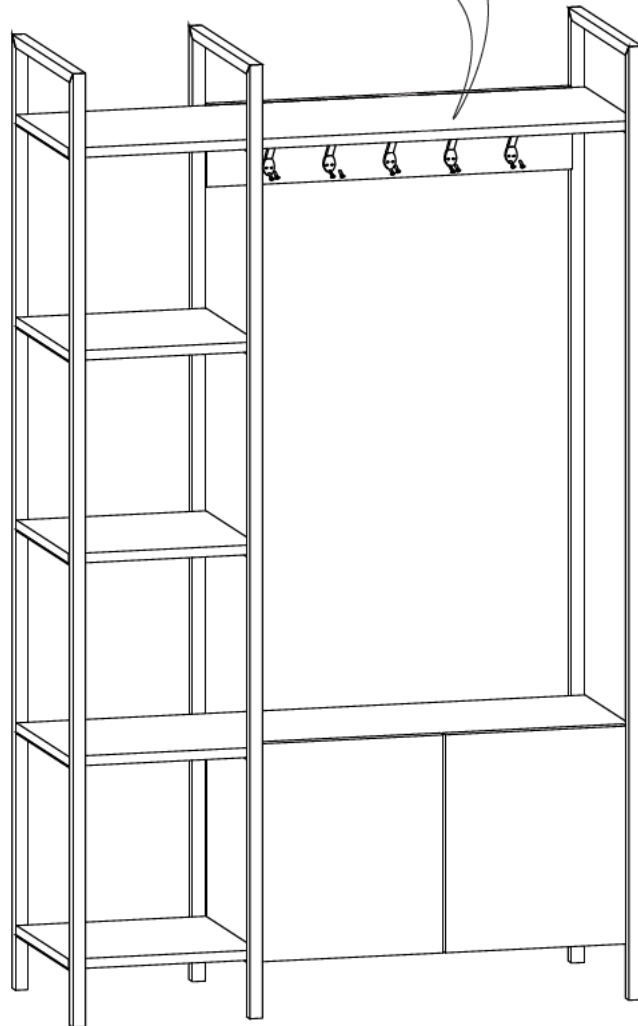
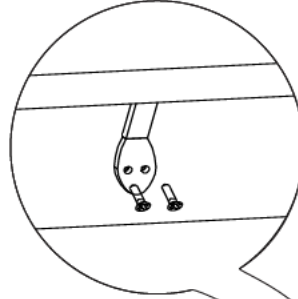
## Step 10



**Step 11**



A21



# Step 12

