

Customer Service:

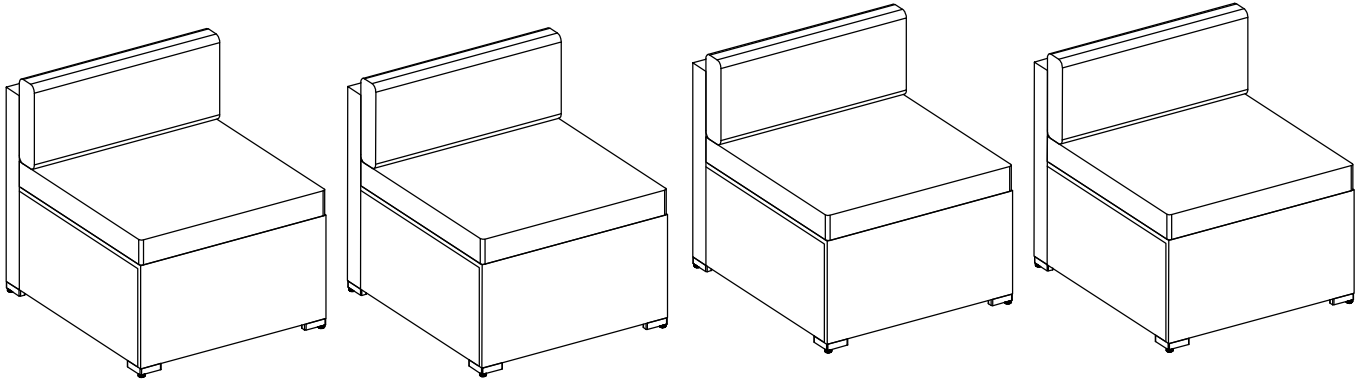
If you have any problem, please contact us through the online platform.

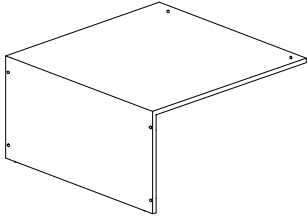
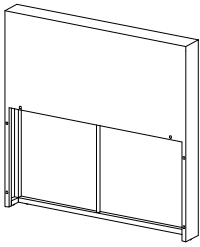
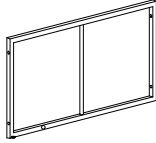
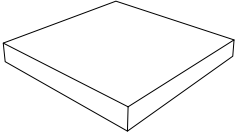

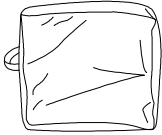

Package

If you purchase the 7PCS patio set, you will receive TWO boxes of packages, one box contains 4 x armless chair and the other box contains 2 x corner chair and a coffee table

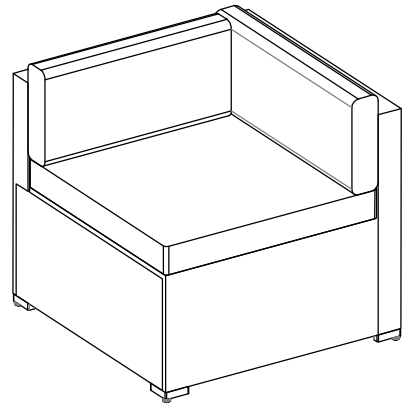
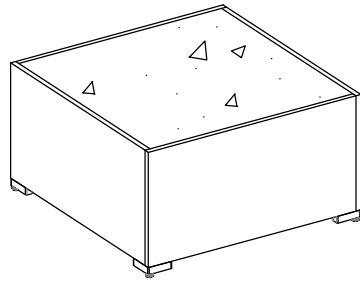
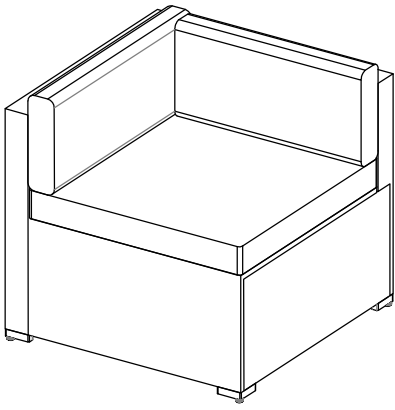
1. If the product is divided into several packages, several packages may be delivered in different days, please be patient and wait for all packages to be delivered before installation.
2. Please follow the instruction step by step to complete the installation. Always place the product on a flat, steady and stable surface.
3. Keep all small parts and packaging materials for this product away from babies and children as they may pose a choking hazard.
4. The cushions are compression packed, so it may take up to 72H to slowly return to fullness.

Parts List Box A



A1 4x 	A2 4x 	A3 8x 	E 4x  Middle sofa Cushion sponge 650 x 610mm
F 4x  Middle Sofa Doll Cotton Bag 700 x 500mm	G1 4x  Middle sofa Backrest cover 610 x 430mm	G2 4x  Middle sofa Cushion cover 640 x 610mm	

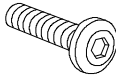
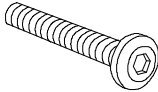
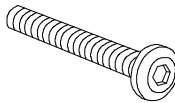
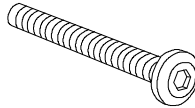
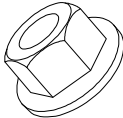
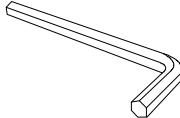

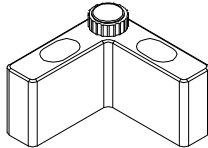
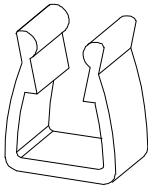
Parts List Box B



B1(R) 1x	B2(R) 1x	B3(R) 1x	C1(L) 1x	
C2(L) 1x	C3(L) 1x	A3 2x	D1 4x	
D2 1x	H1 2x	H2 2x	I 2x	
	 Corner sofa Backrest cover 660 x 430mm	 Corner sofa Cushion cover 640 x 640mm	 Armrest cushion cover 500 x 430mm	
J 2x	O 2x	P 2x	N 2x	Q 2x
 Armrest doll cotton bag 600 x 500mm	 Corner sofa Cushion sponge 650 x 650mm	 Corner sofa back doll cotton bag 750 x 500mm	 Throw Pillow Doll Cotton Bag 410 x 410mm	 Pillow case 370 x 370mm

Assembly Instruction

Parts List

M1 28x  M6x30	M2 56x  M6x40	M3 24x  M6x50	M4 18x  M6x55
M5 98x 	M6 1x  Allen Key	M7 1x  Spanner	K 28x 
L 5x 			

DANGER

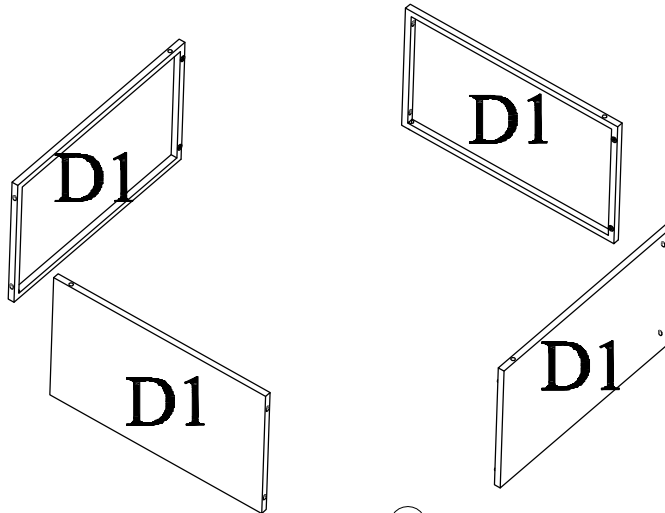
1. Please assemble according to the installation steps in the manual .
2. During the assembly process, please tighten the screws by 80%. After all the screws are assembled, they can be tightened by 100%.
3. During assembly, please install it on the carpet or soft grass to avoid product damage. Thank you.

— Warning

— Please wear gloves before assembly.

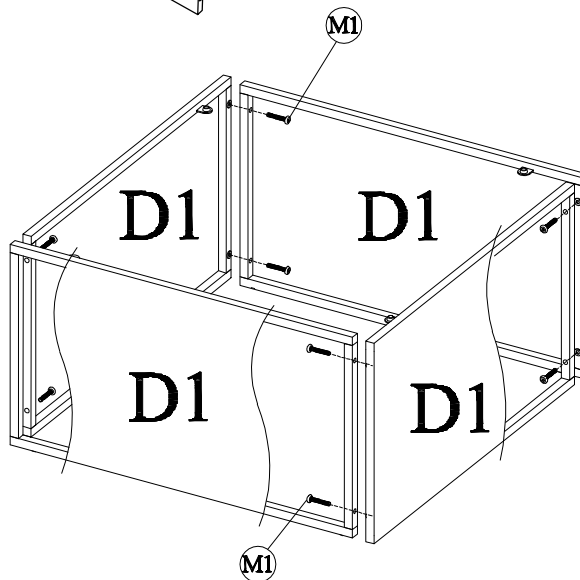
Coffee table assembly

Do not tighten when assembling, tighten all parts after assembly.



1

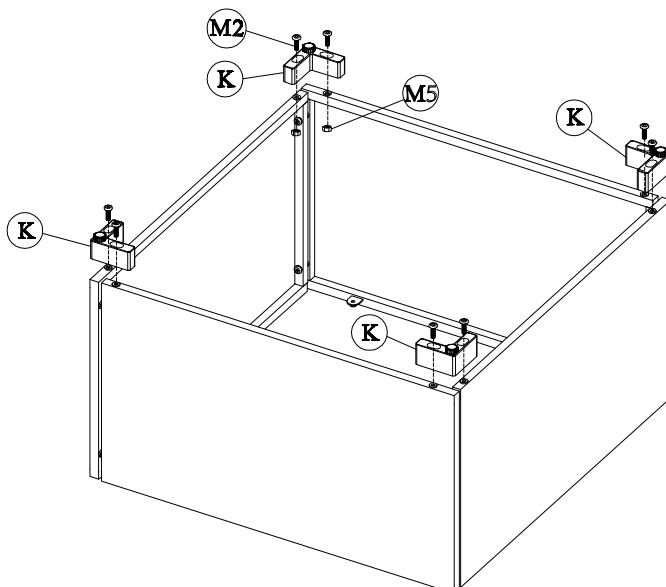
M1*8
D1*4



For this installation step, please tighten the screws by 80%

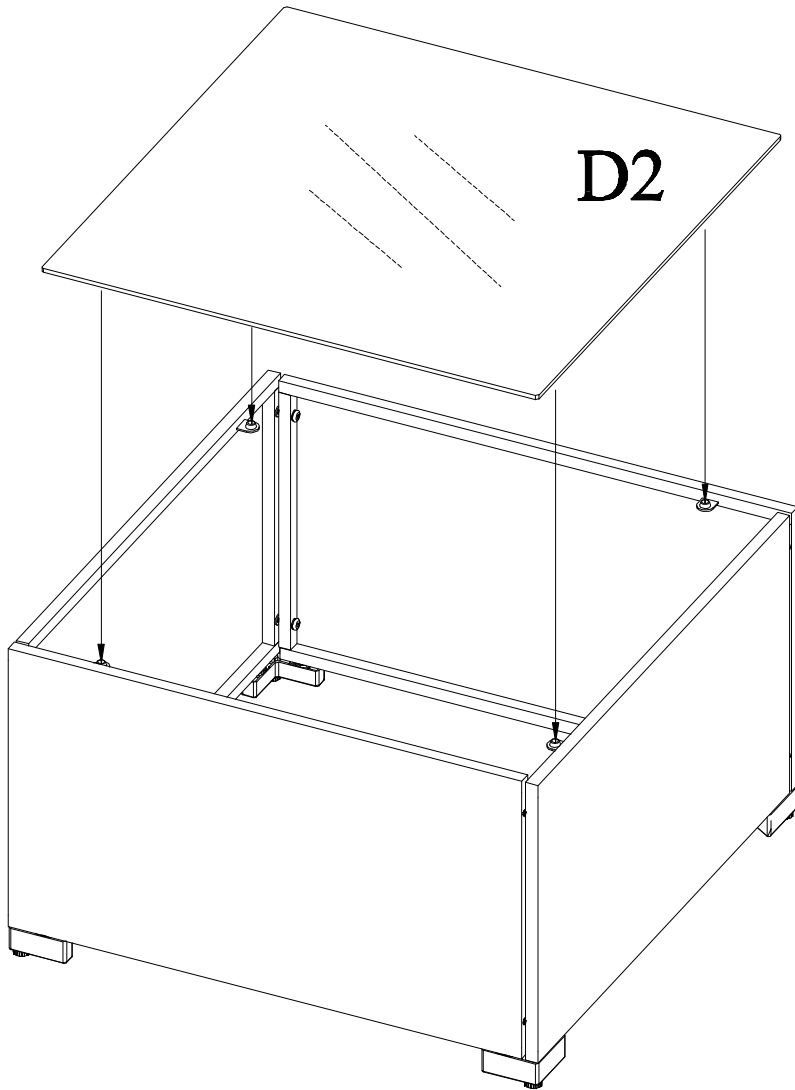
2

M2*8
K*4
M5*8

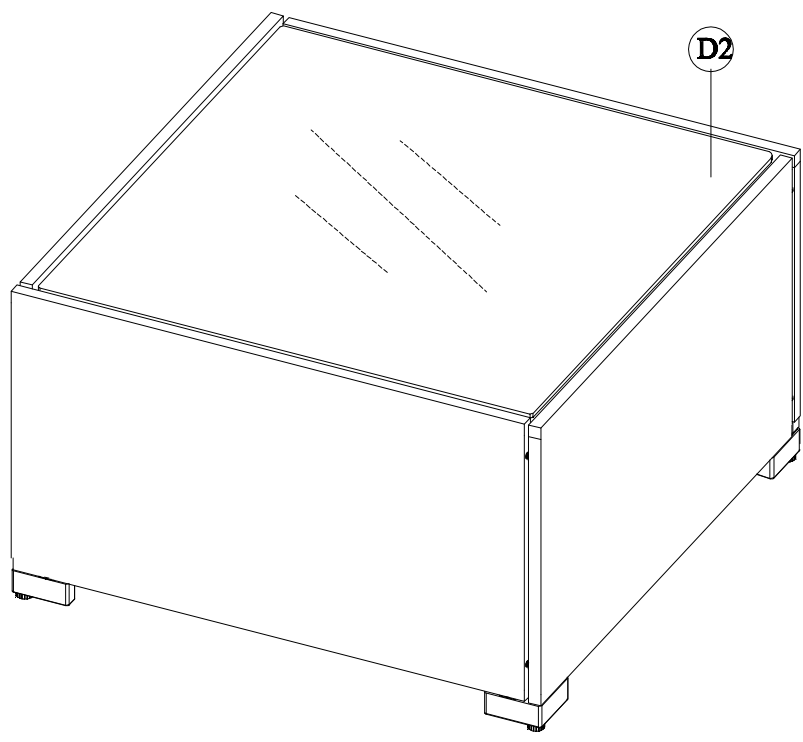


For this installation step, please tighten all screws by 100%

3



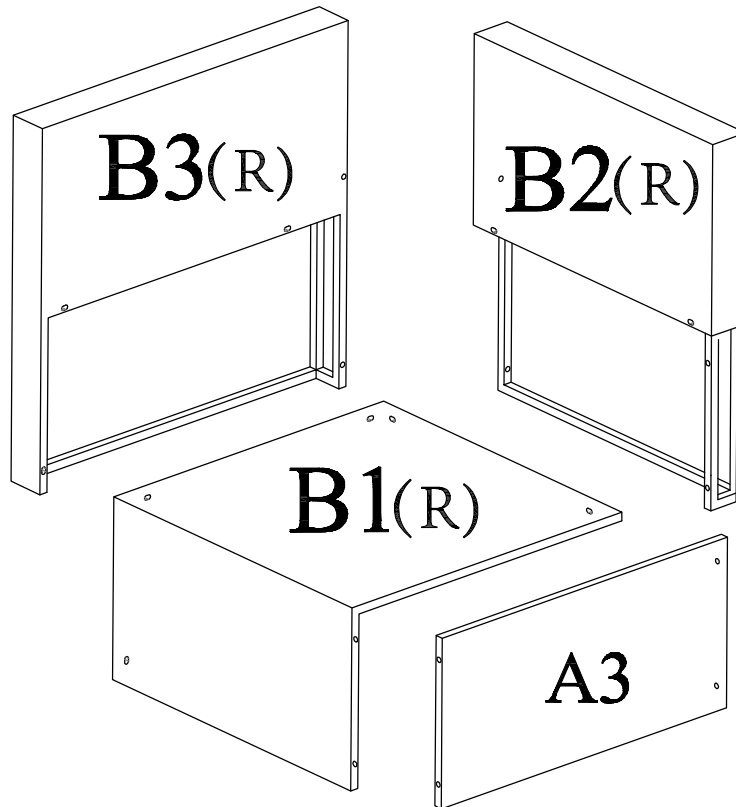
4



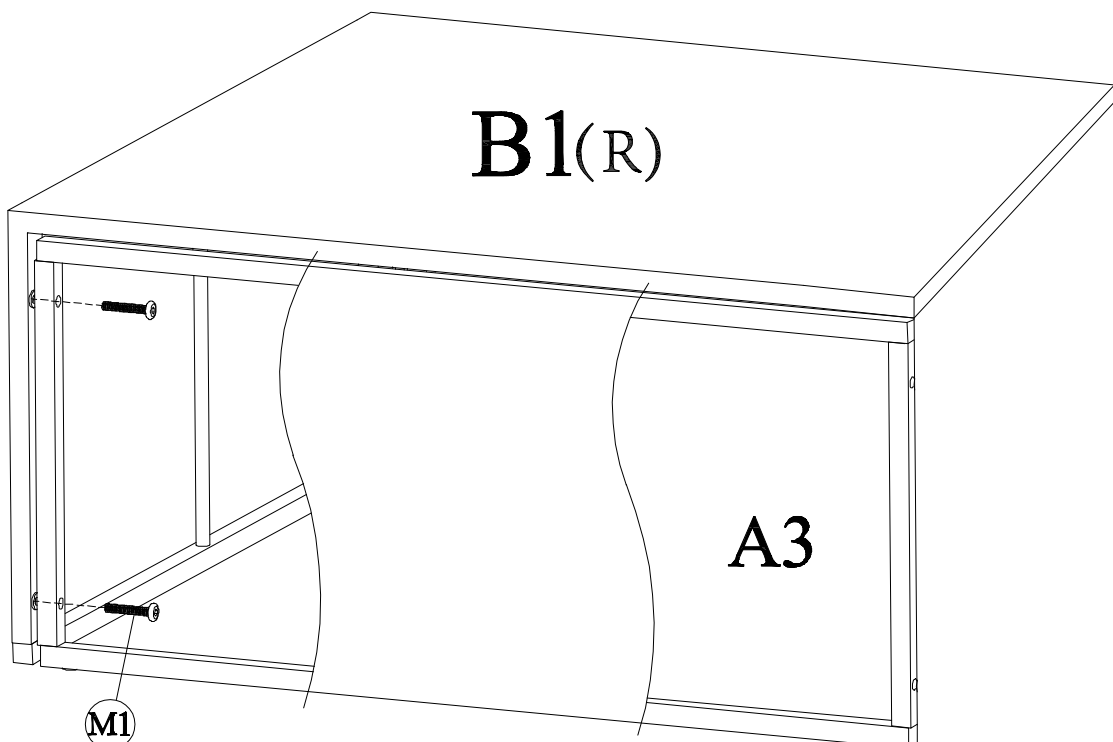
The right of corner sofa assembly

Do not tighten when assembling, tighten all parts after assembly.

1



2



M1*2

B1 (R) *1

A3*1

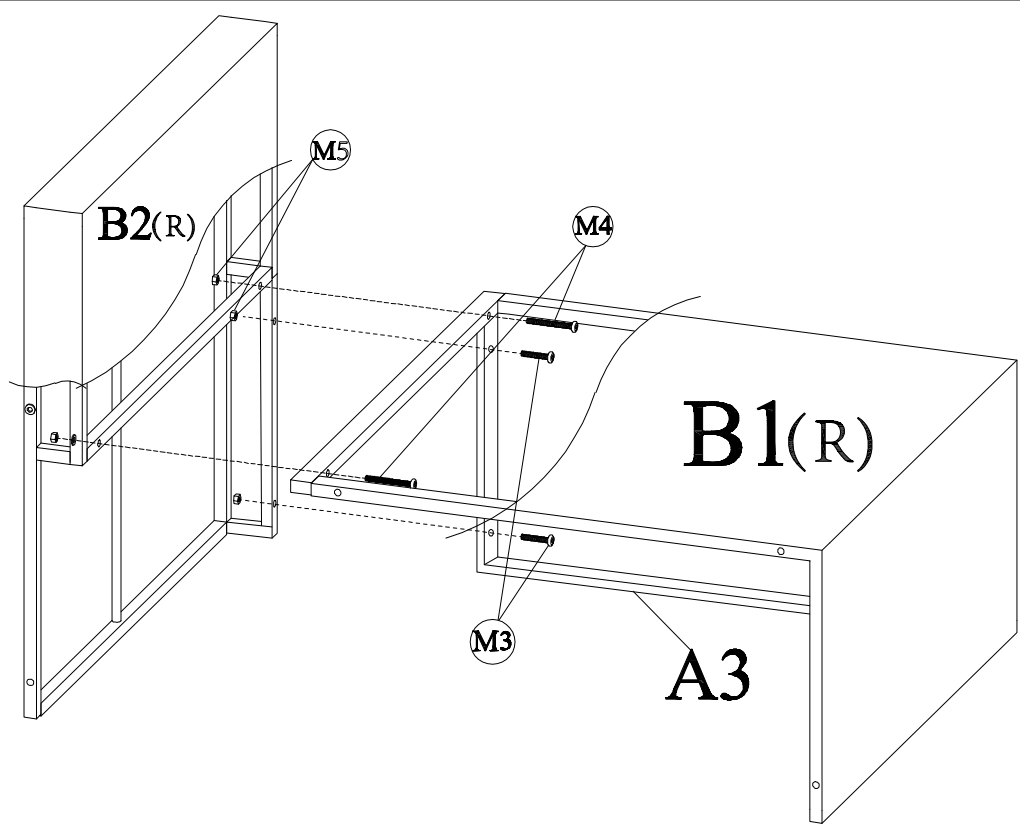
M1

For this installation step, please tighten the screws by 80%

7

3

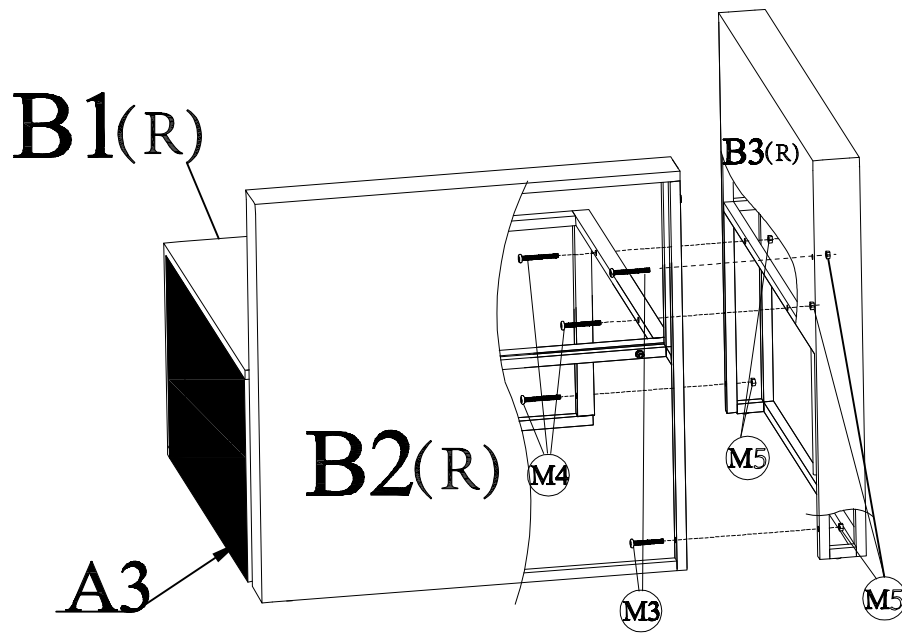
B2 (R) *1
M3*2
M4*2
M5*4



4

For this installation step, please tighten the screws by 80%

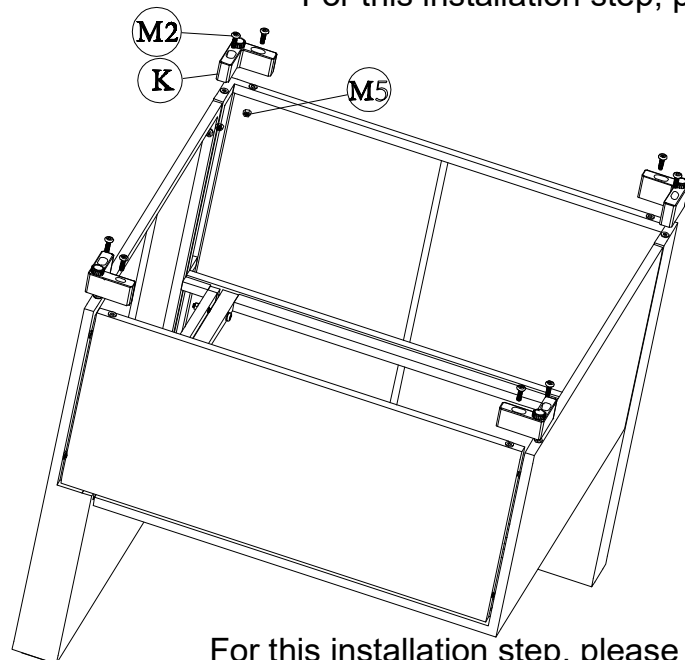
B3 (R) *1
M3*2
M4*3
M5*5



For this installation step, please tighten the screws by 80%

5

M2*8
K*4
M5*8

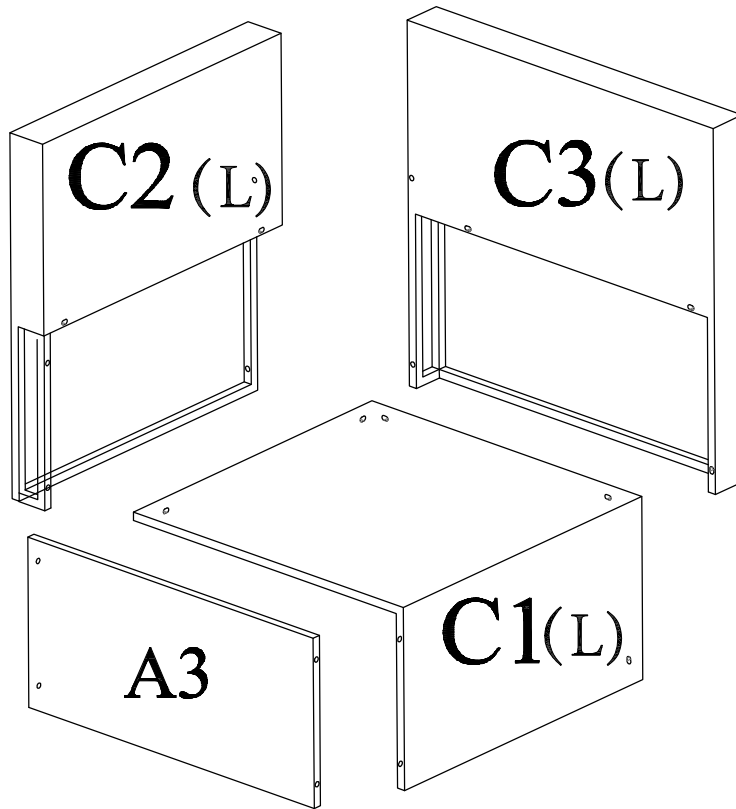


For this installation step, please tighten all screws by 100%

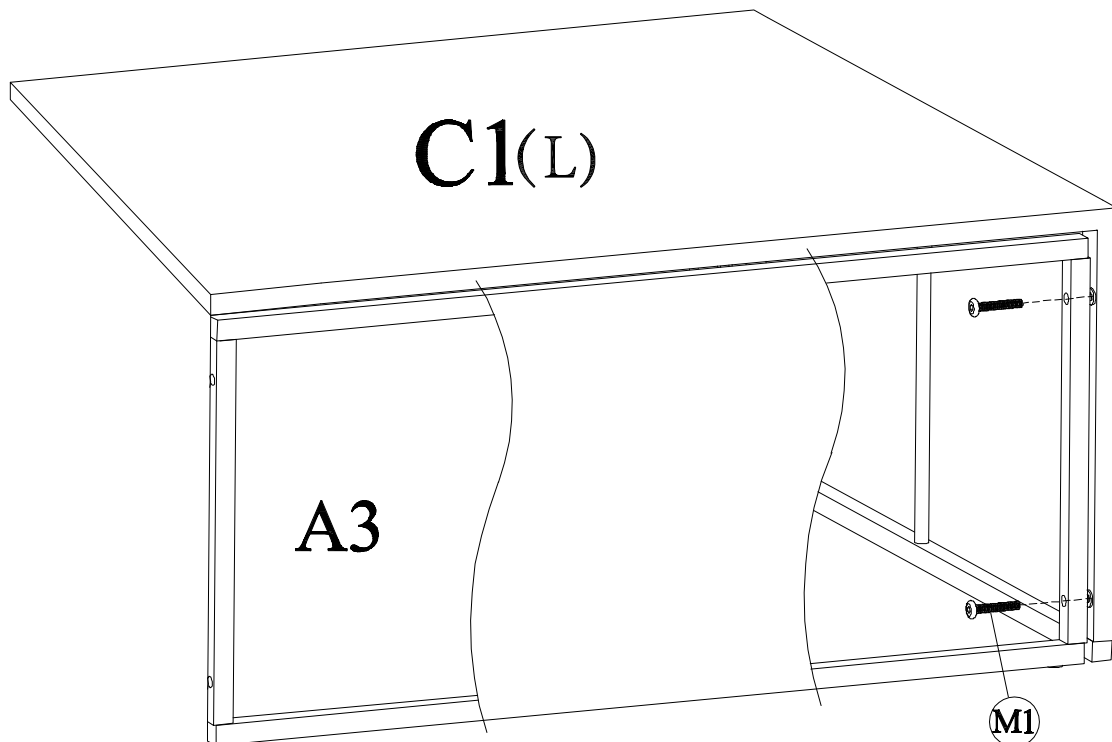
The left of corner sofa assembly

Do not tighten when assembling, tighten all parts after assembly.

1



2

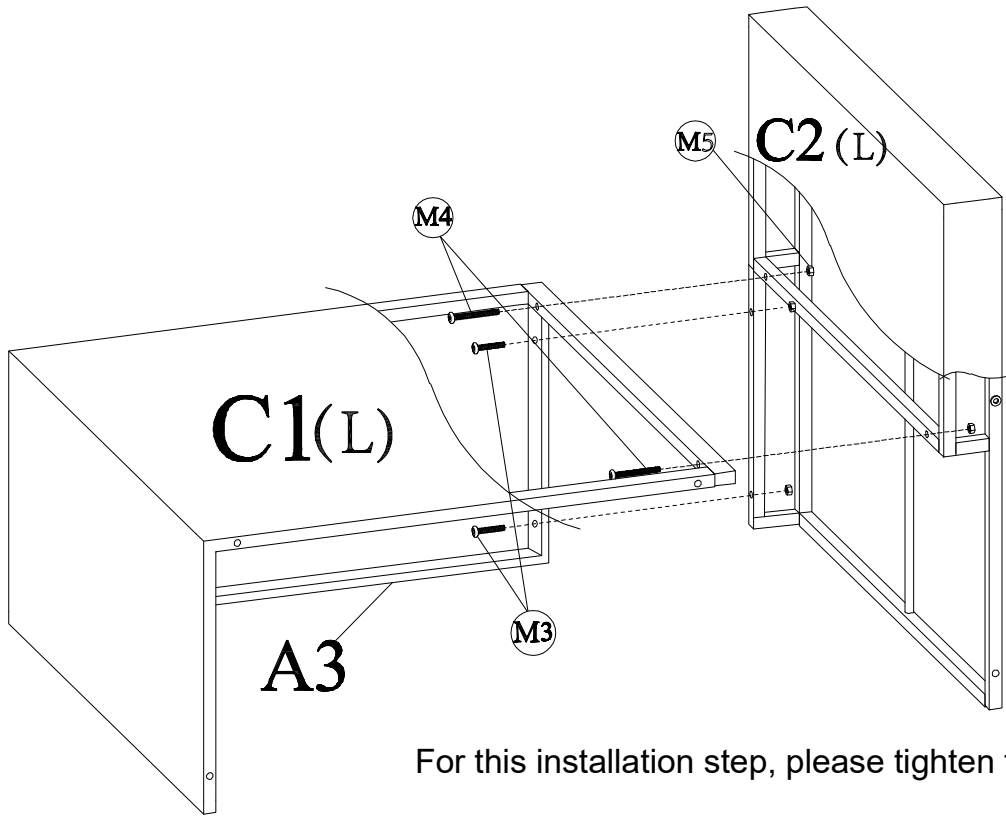


C1 (L) *1
M1*2
A3*1

For this installation step, please tighten the screws by 80%

3

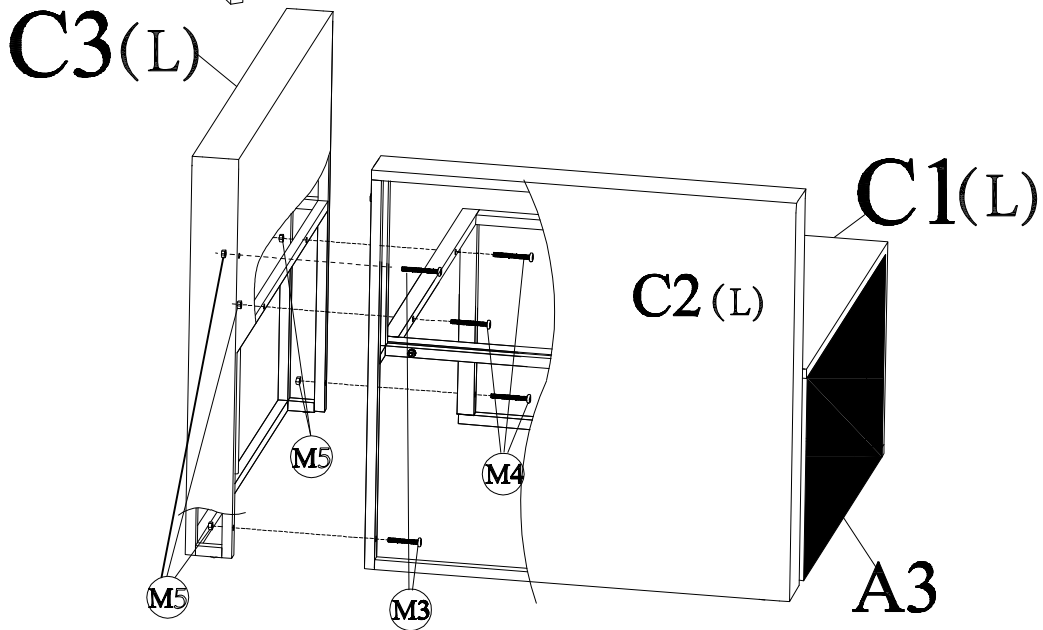
C2 (L) *1
M3*2
M4*2
M5*4



For this installation step, please tighten the screws by 80%

4

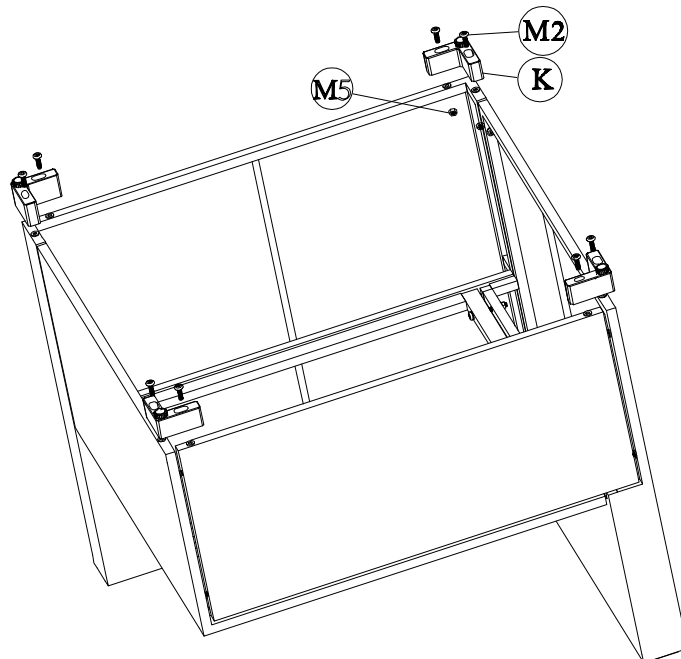
C3 (L) *1
M3*2
M4*3
M5*5



For this installation step, please tighten the screws by 80%

5

M2*8
K*4
M5*8

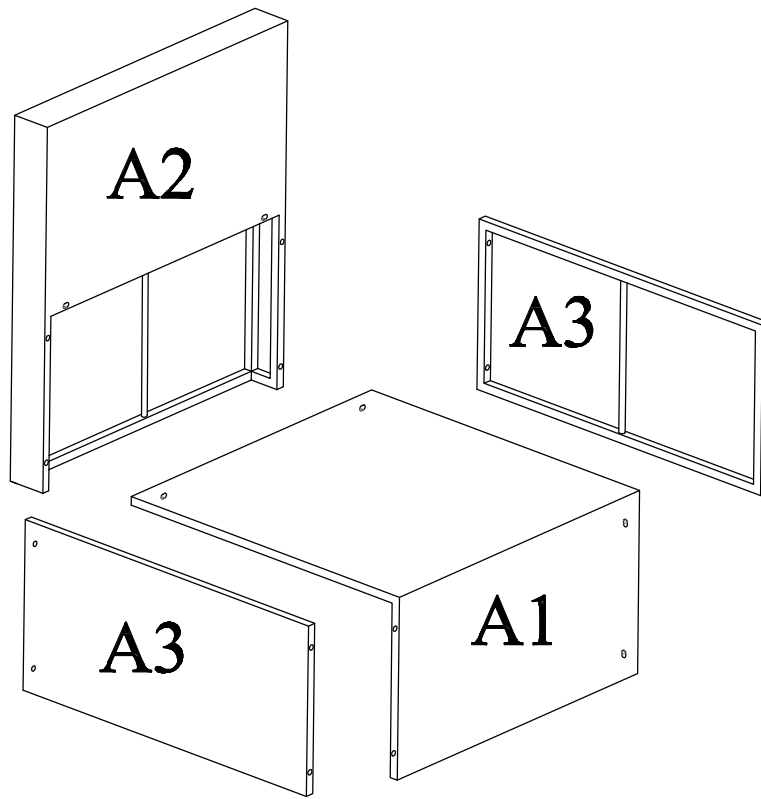


For this installation step, please tighten all screws by 100%

Middle sofa assembly

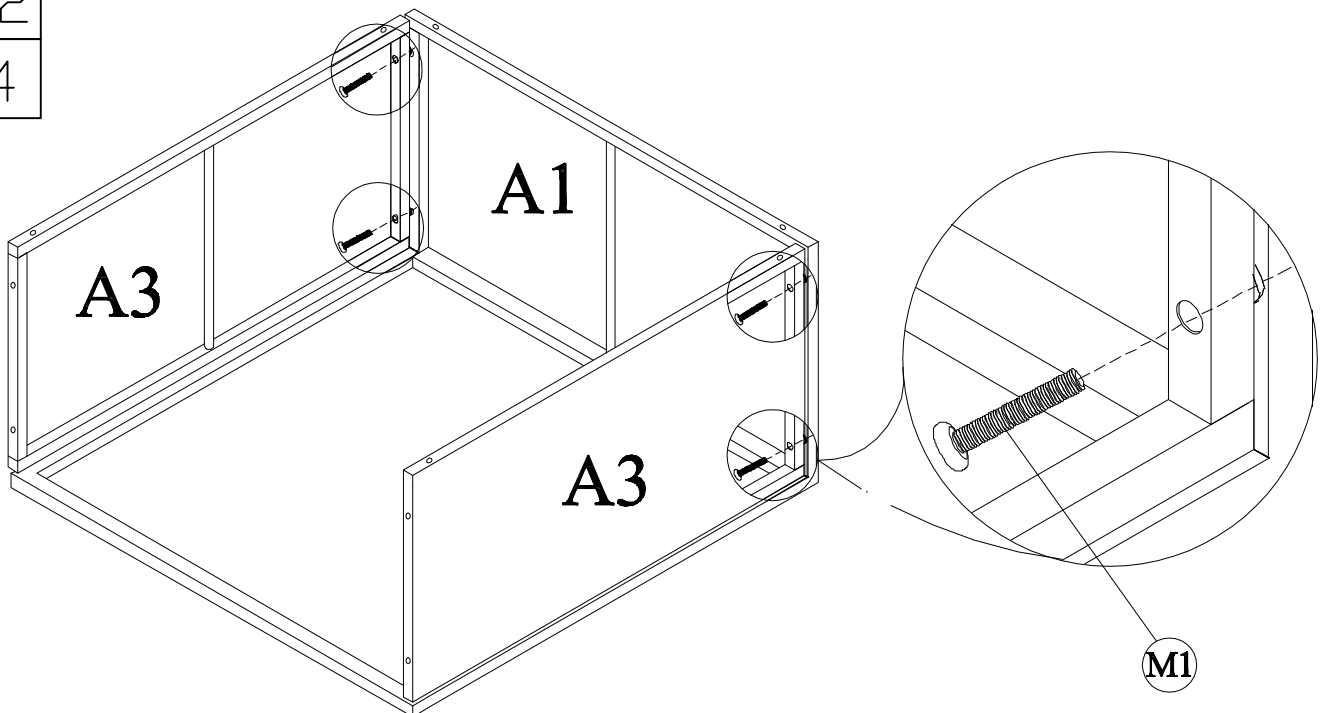
Do not tighten when assembling, tighten all parts after assembly.

1



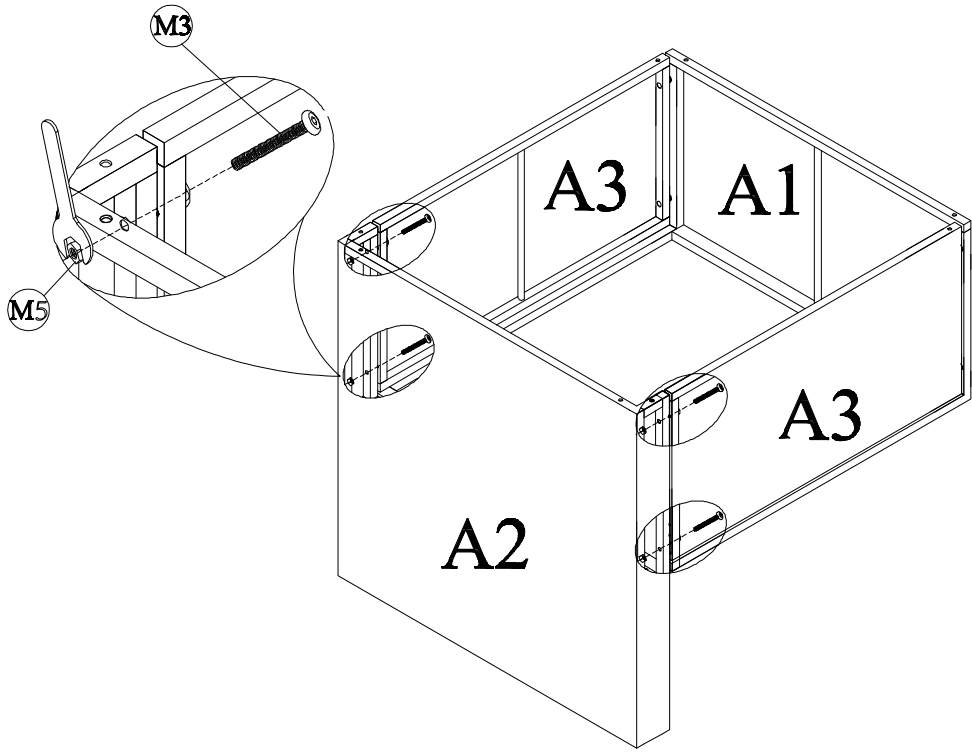
2

A1*1
A3*2
M1*4



For this installation step, please tighten the screws by 80%

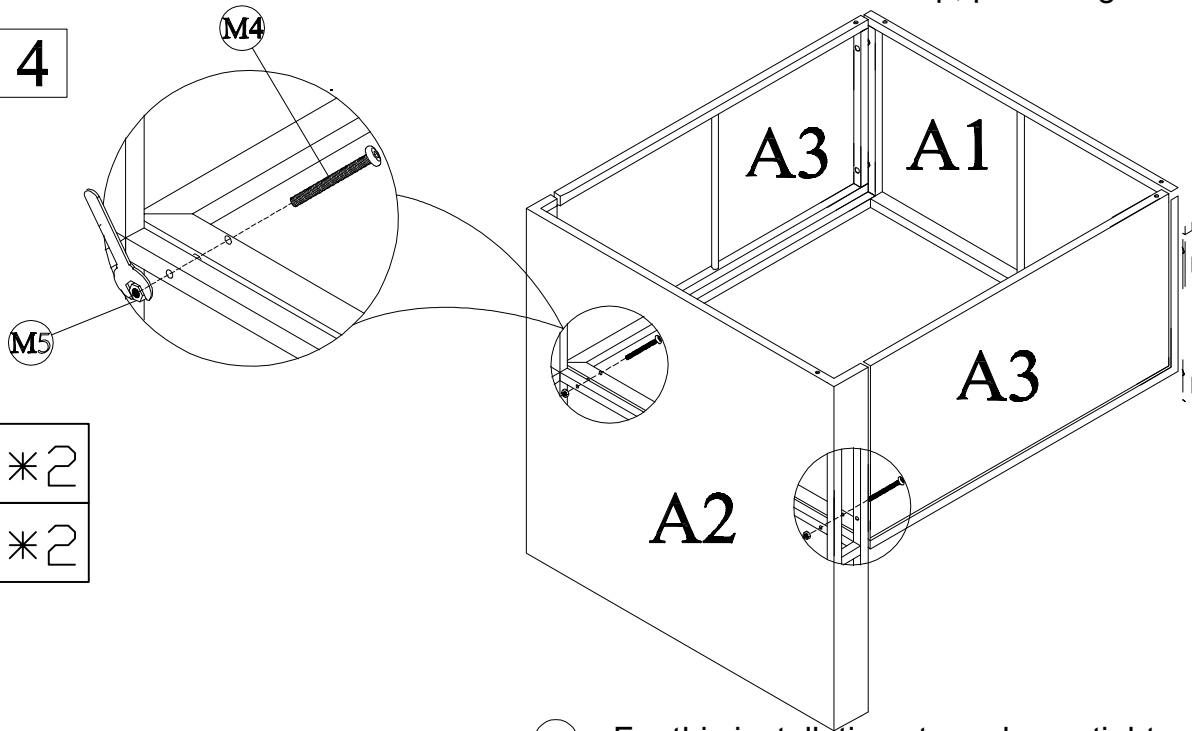
3



- A2*1
- M3*4
- M5*4

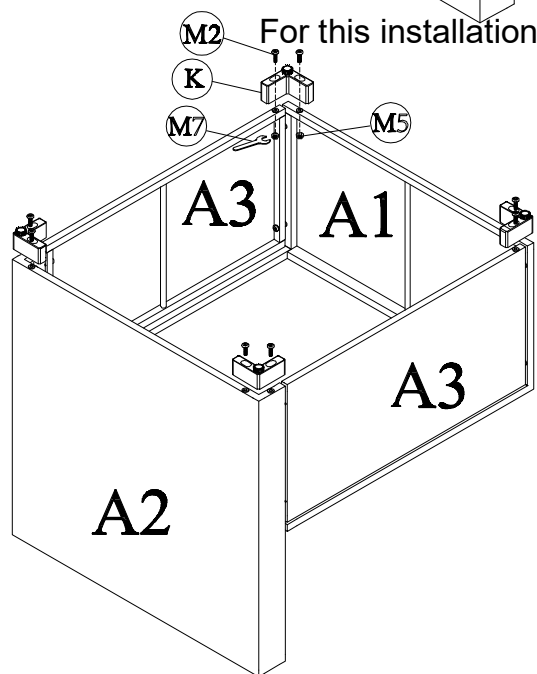
For this installation step, please tighten the screws by 80%

4



- M4*2
- M5*2

5



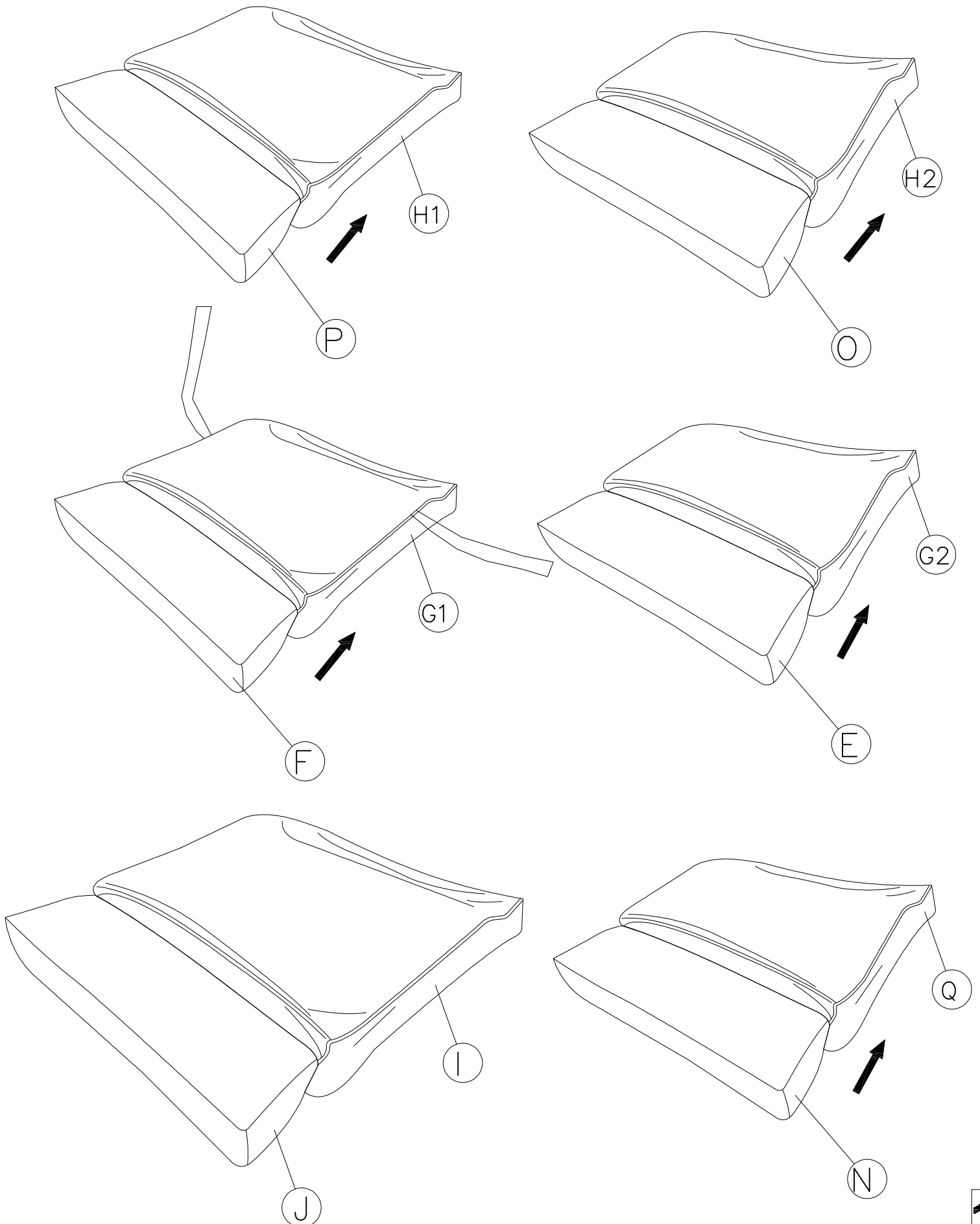
- M2*8
- K*4
- M5*8

For this installation step, please tighten the screws by 80%

For this installation step, please tighten all screws by 100%

The pillow and cushion assembly

The compressed cushions will inflate with opening the packing within a



As is shown, Use clips (L) to keep the

