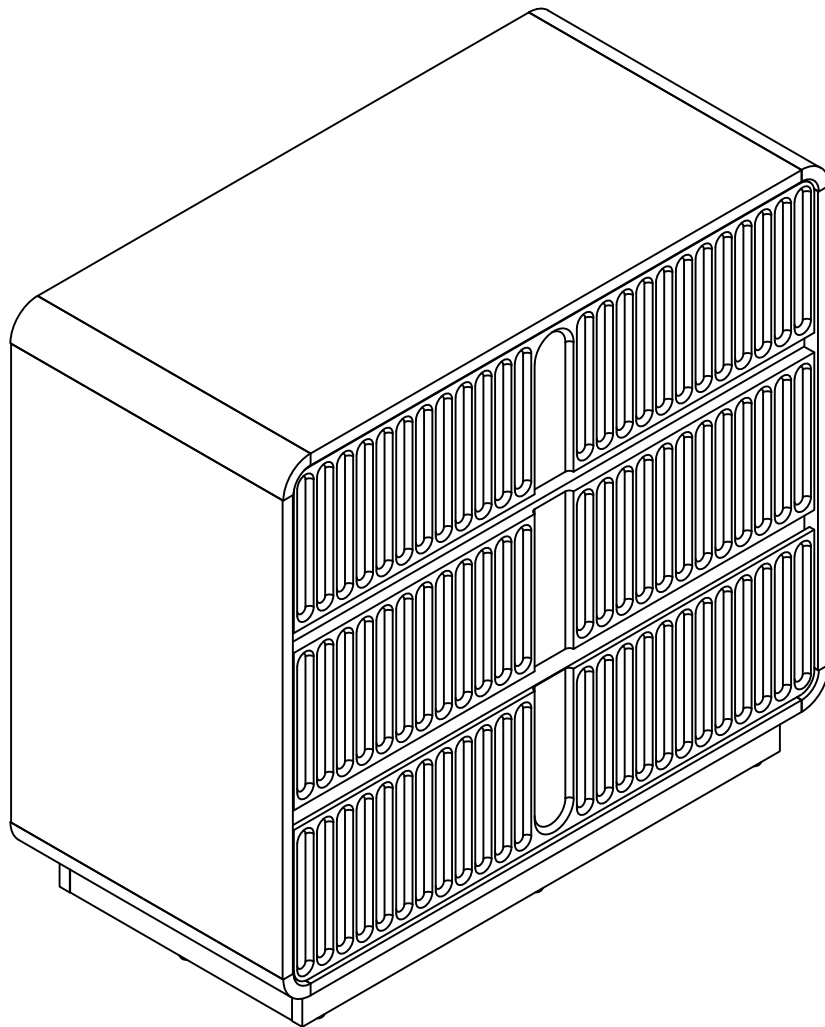


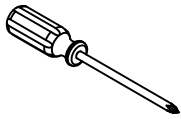
Installation Instruction



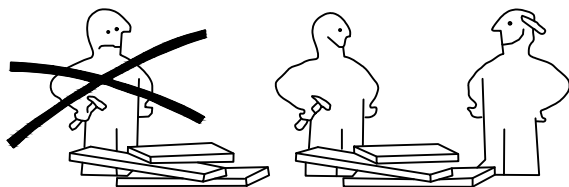
Assembling

What you need

- Use the packaging carton as a working surface to prevent product damage during assembly
- Phillips head screwdriver



Weight Limitation

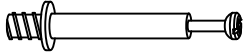


What' included

Code	Description	Qty
A	Cam Bolt M6X35MM	69
B	Cam Lock 15X9MM	69
C	Wooden Dowel M8X30MM	28
D	Screw M4X40MM	17
E	The screw M3X14MM	38
F	Hole position sticker	36
G	The back button	8
H	Thumbtack	8
I	Anchor	2
J	Nylon Strap	2
K	The screw M6X30MM	3
L	Reinforce the sheet metal	2
M	Vrench M4X55MM	1
CL	Left mother extended orbit	3
CR	Right mother extended orbit	3
DL	Left public extension track	3
DR	Right public extends track	3

The Hardwares

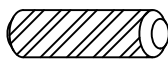
A



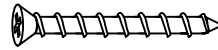
B



C



D



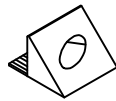
E



F



G



H



I



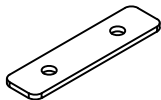
J



K



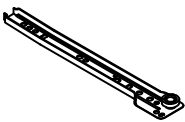
L



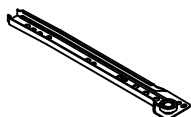
M



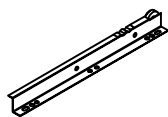
CL



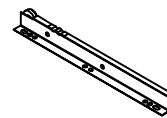
CR



DL



DR



IMPORTANT:

1. Do not tighten bolts / screws completely until all bolts / screws are lined up and inserted into holes.
2. Do not over tighten screws and bolts to avoid stripping
3. Please use hand tools to assemble this product, you can also use power tools (please use power tools carefully)

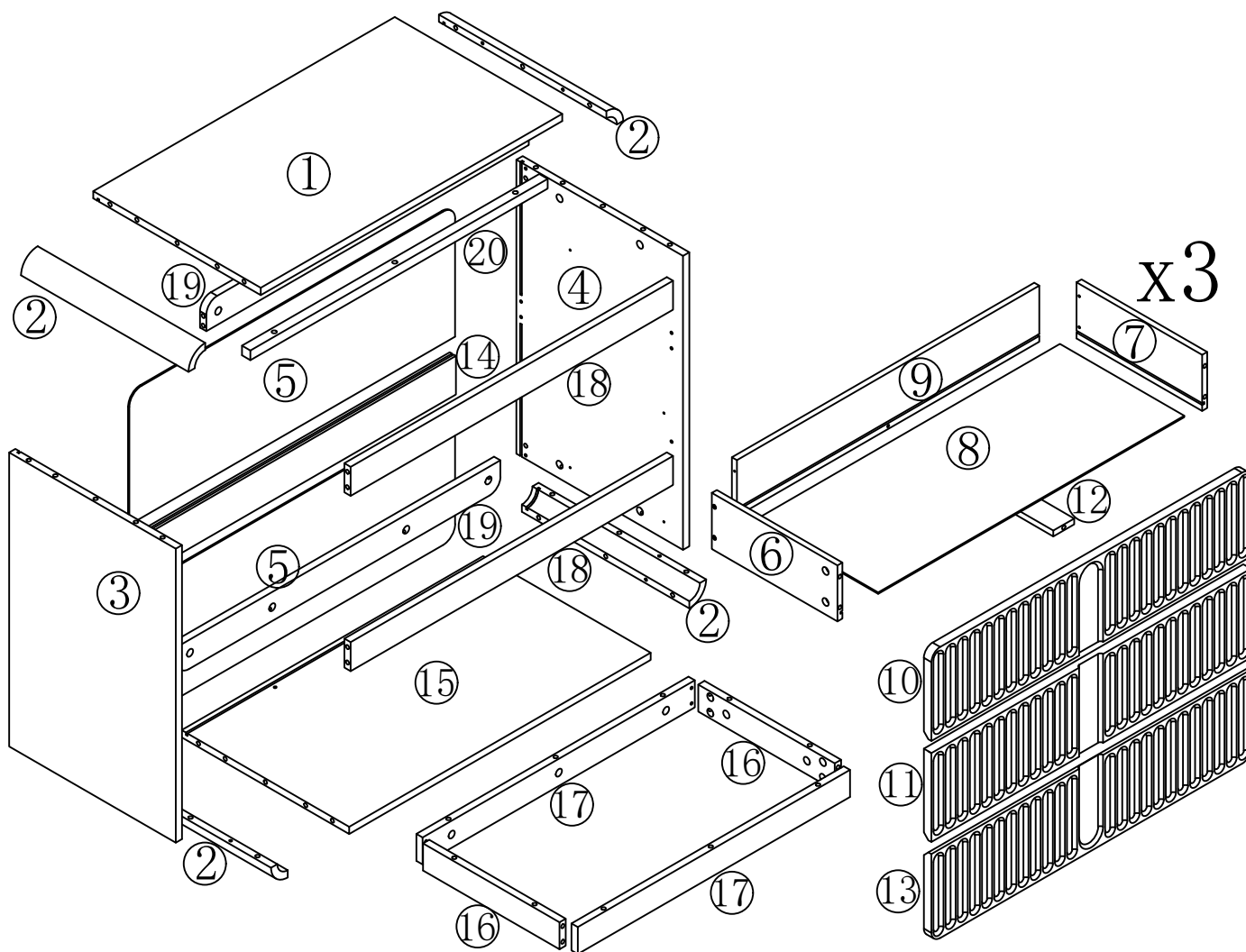
Included Accessories

Code	Description	Qty
1	Cabinet Top	1
2	Arc connecting plate	4
3	Left Side Panel	1
4	Right Side Panel	1
5	Backplane	2
6	Drawer left panel	3
7	Drawer right panel	3
8	The drawer bottom	3
9	After the drawer board	3
10	Upper drawer bottom	1
11	Middle drawer bottom	1
12	Baffle plate	3
13	Lower drawer bottom	1
14	After the gusset plates	1
15	Bottom Panel	1
16	Short drain	2
17	Long drain	2
18	Front panel	2

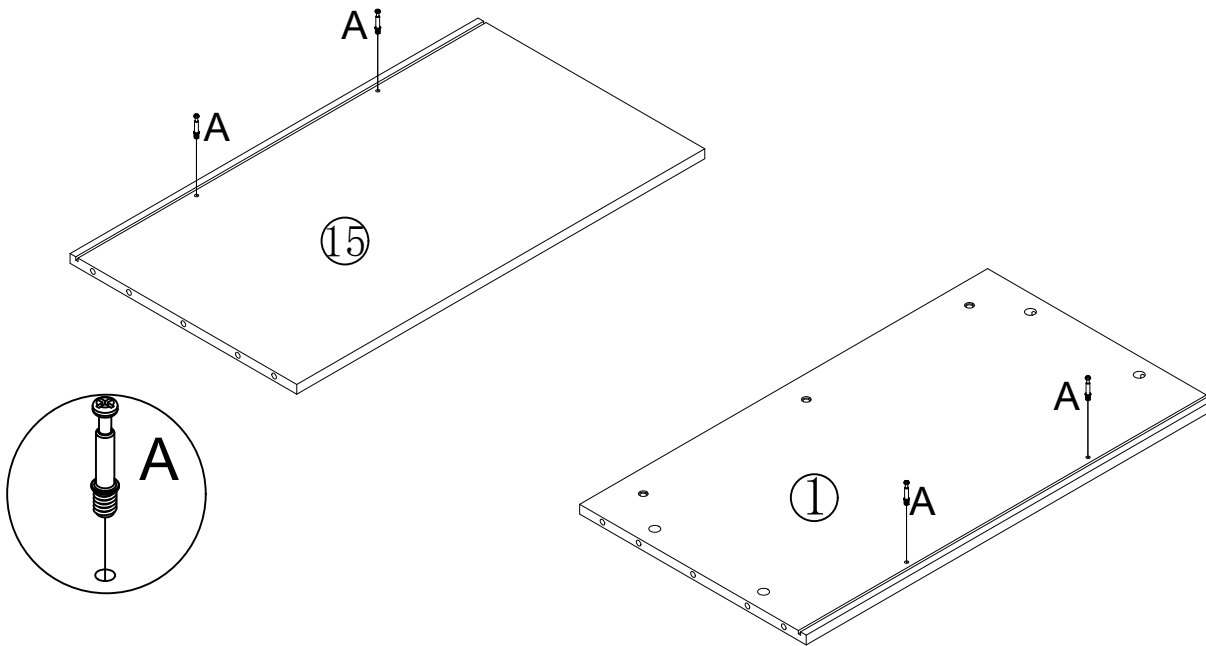
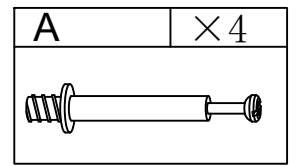
Included Accessories

Code	Description	Qty
19	After the baffle plate	2
20	Reinforce the iron pipe	1

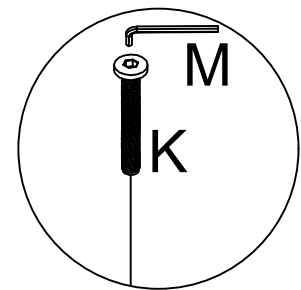
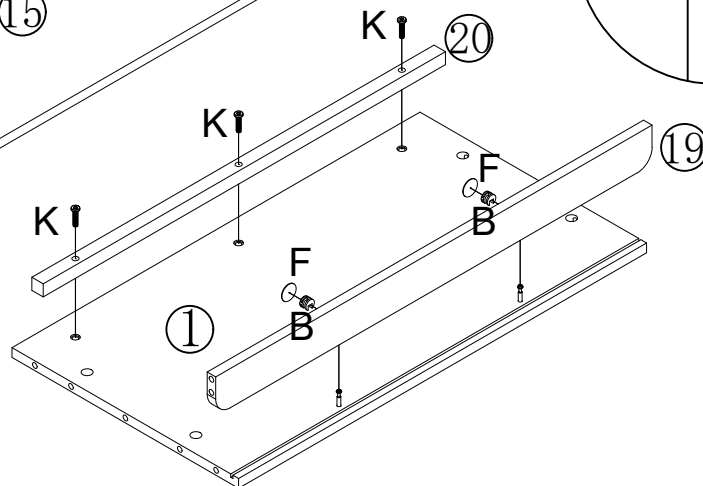
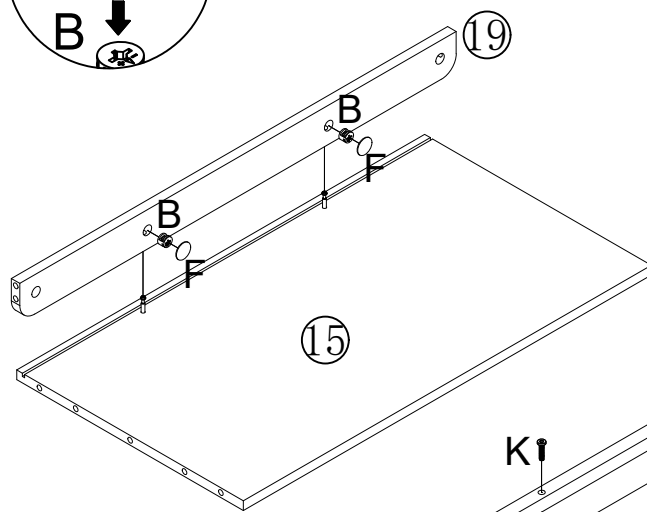
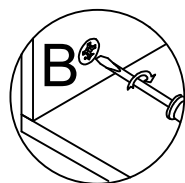
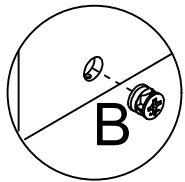
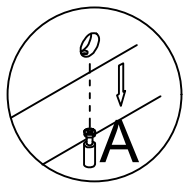
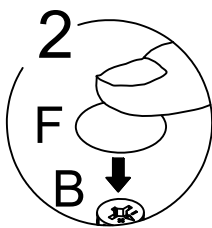
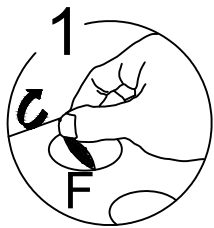
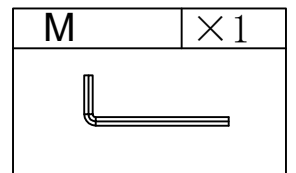
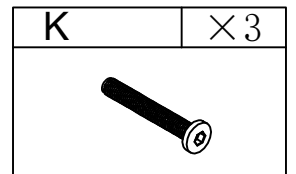
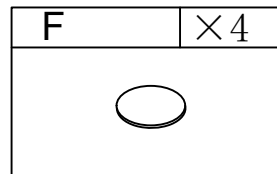
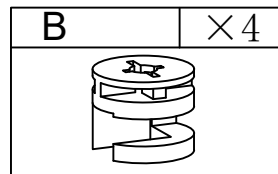
The Accessoriss



Step 1

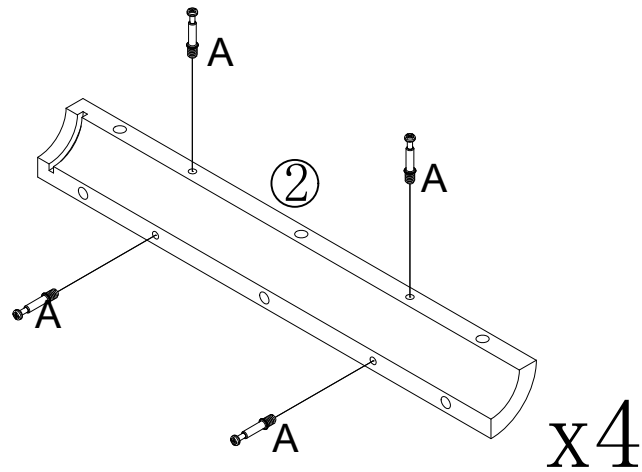


Step 2



Step 3

A	×16



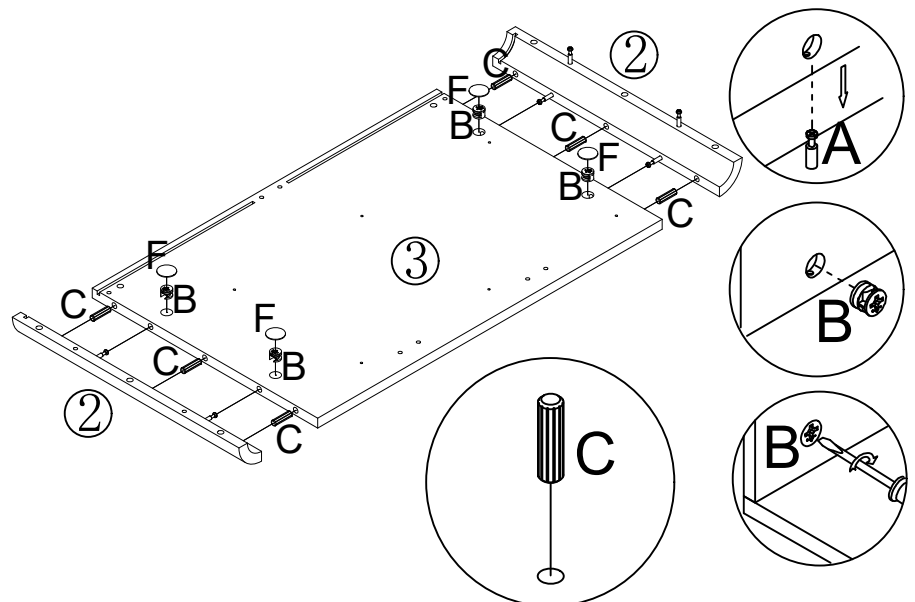
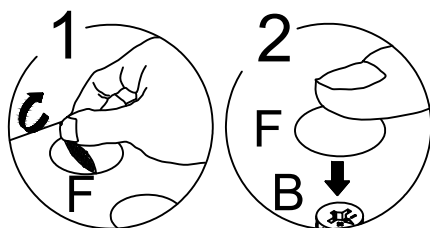
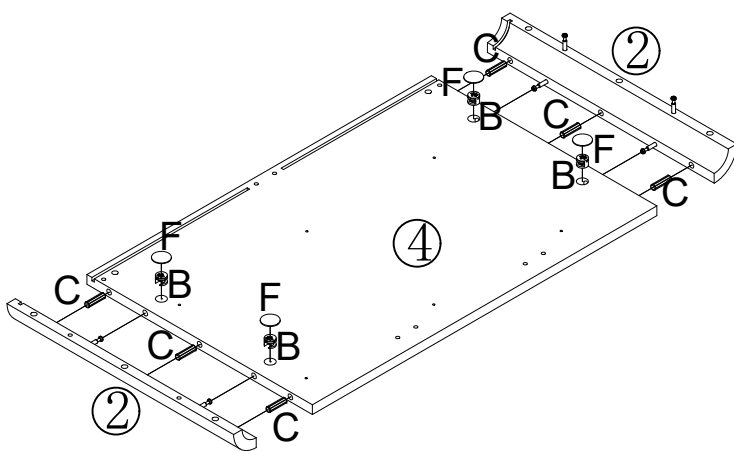
In this step, be careful not to break the No. ② lock on the lock hardware A

Step 4

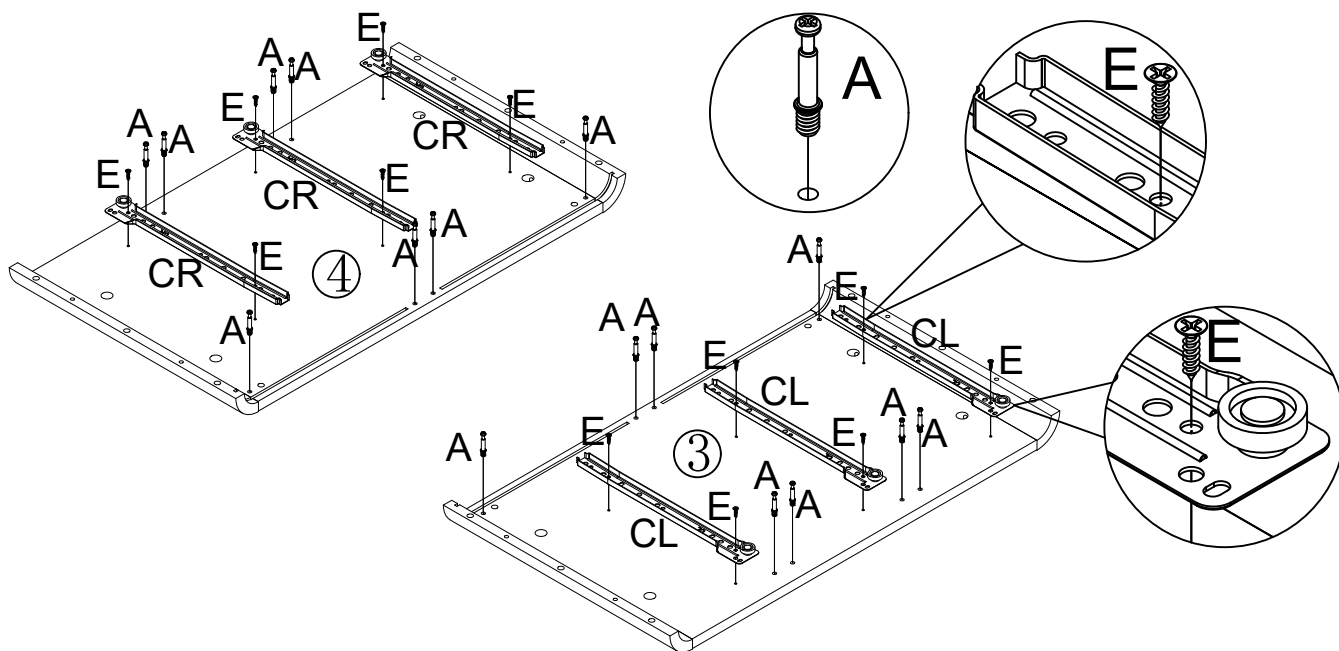
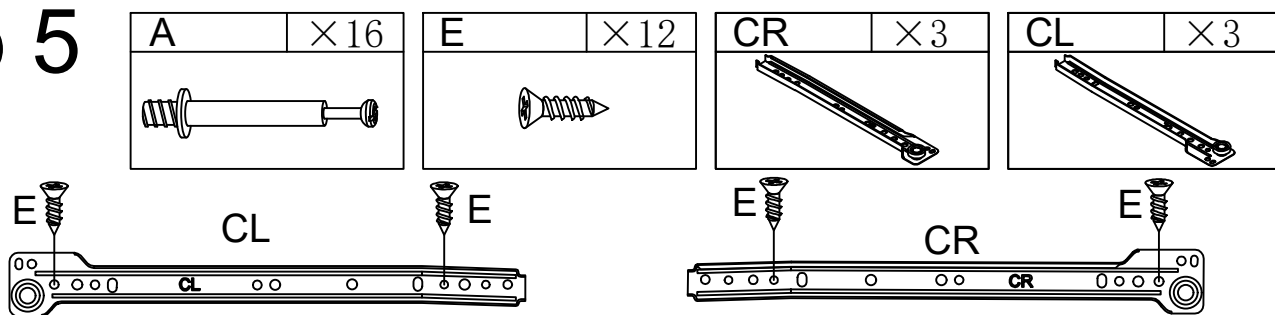
B	×8

F	×8

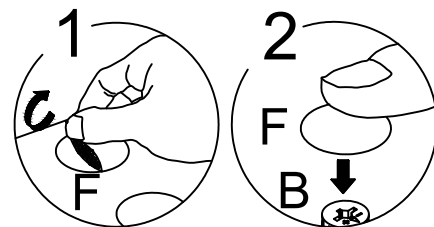
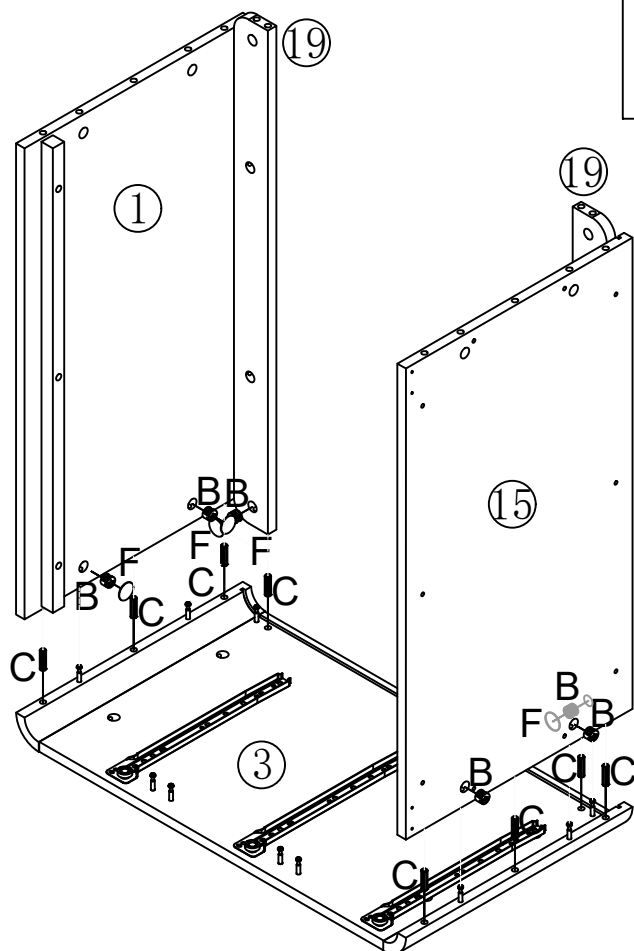
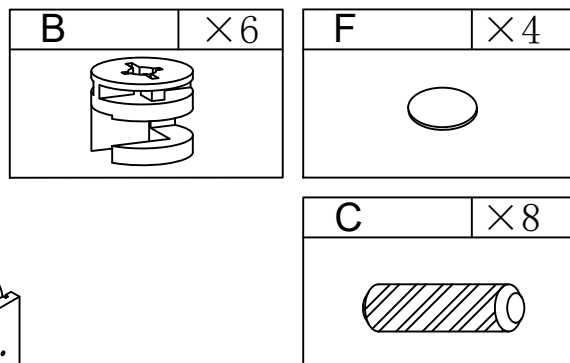
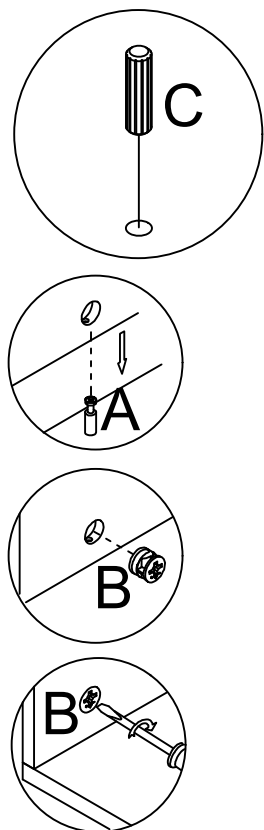
C	×12





Step 5

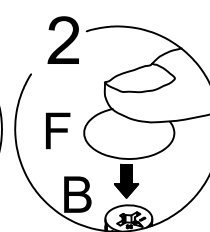
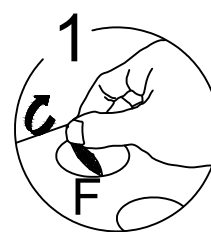
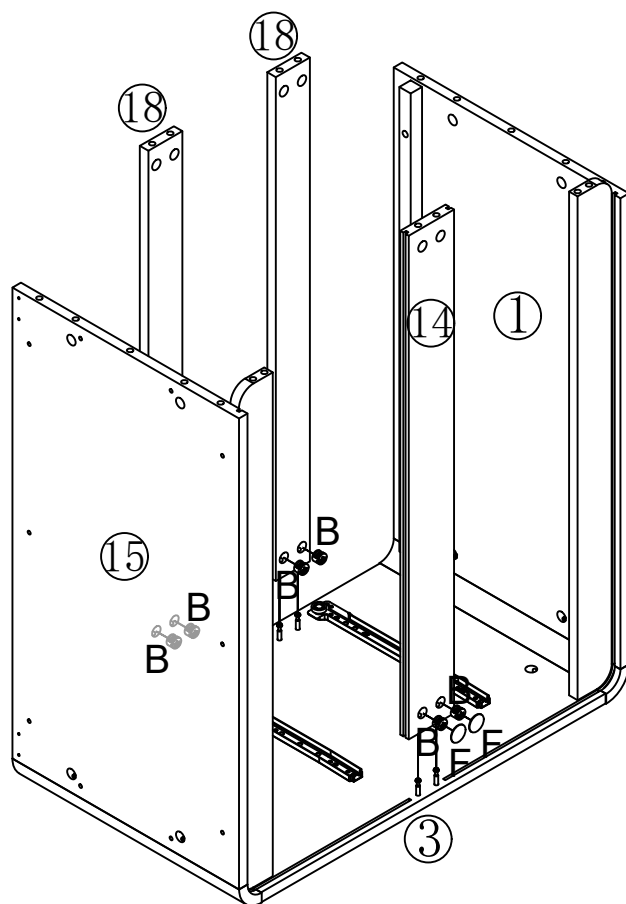
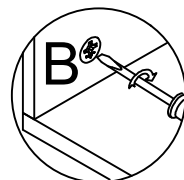
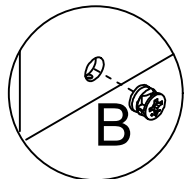
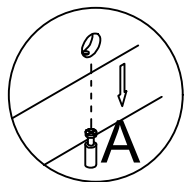


Step 6

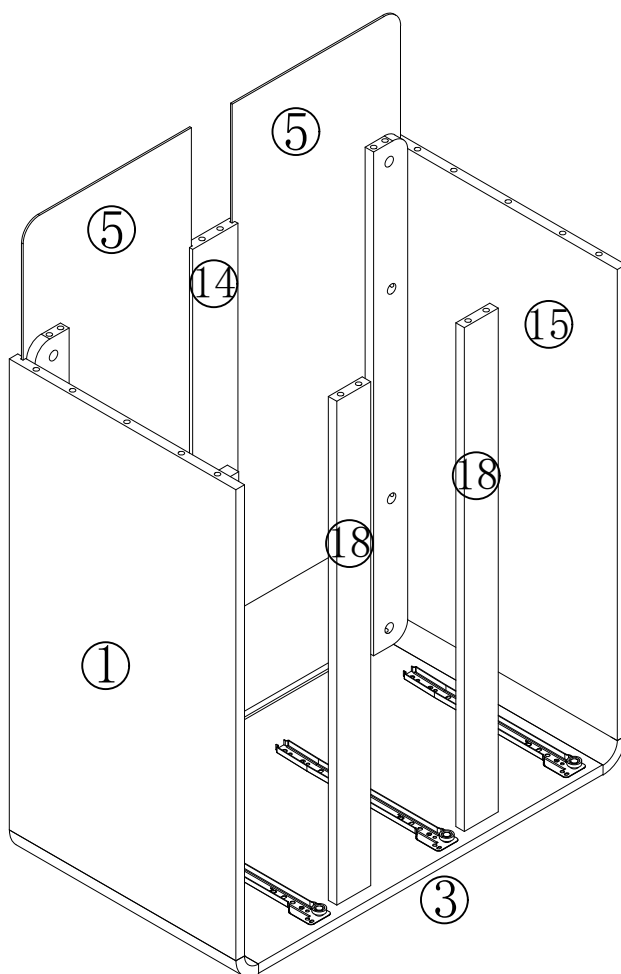


Step 7

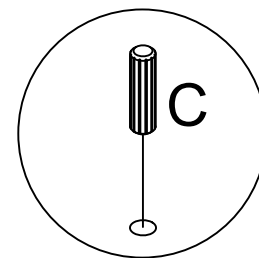
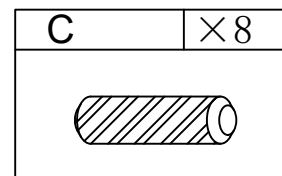
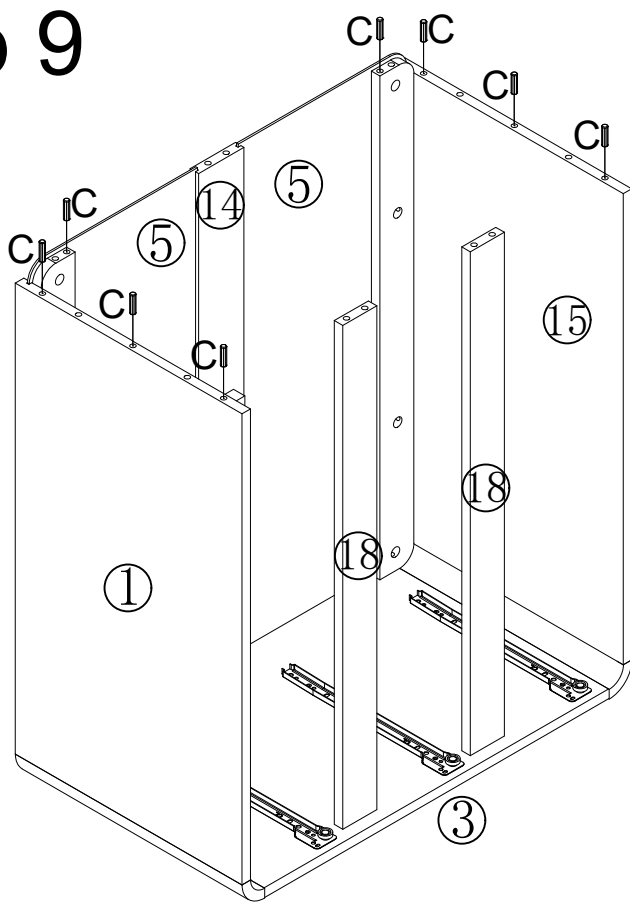
B	×6	F	×2
			



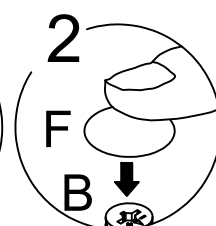
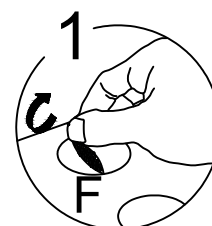
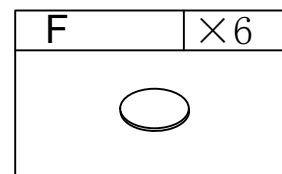
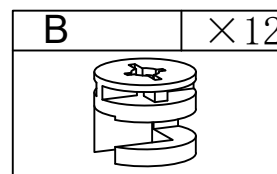
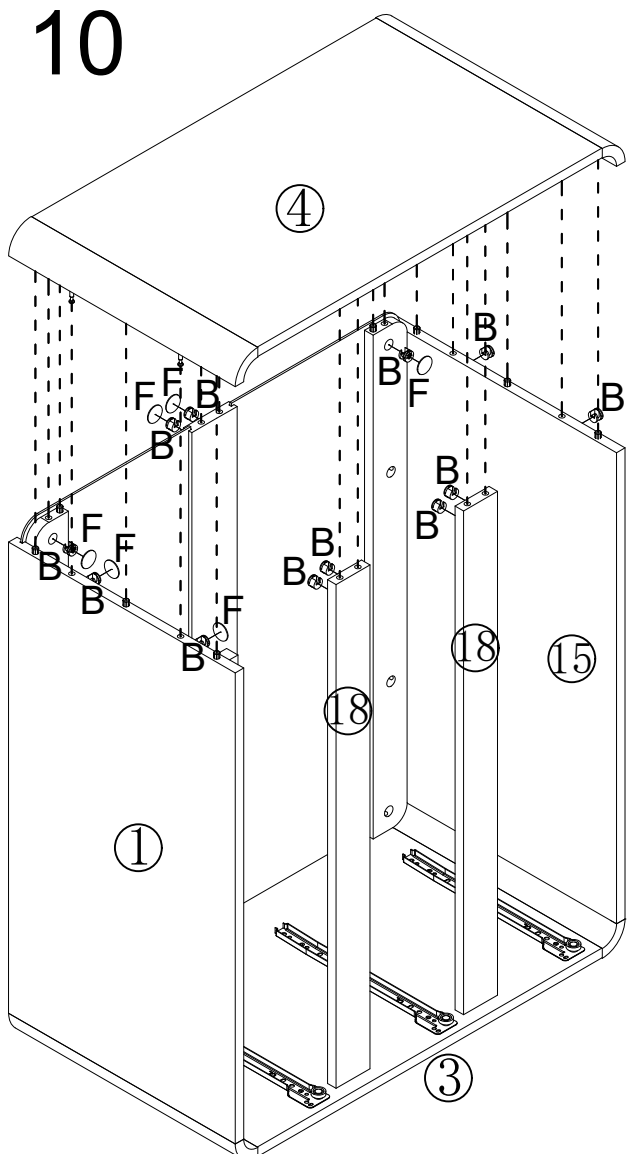
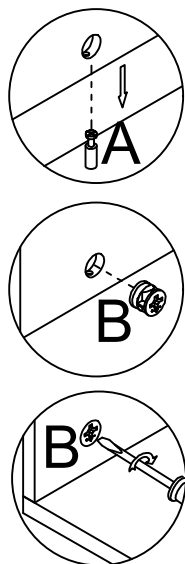
Step 8




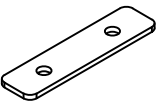
Step 9

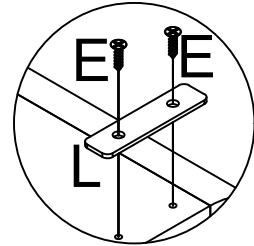
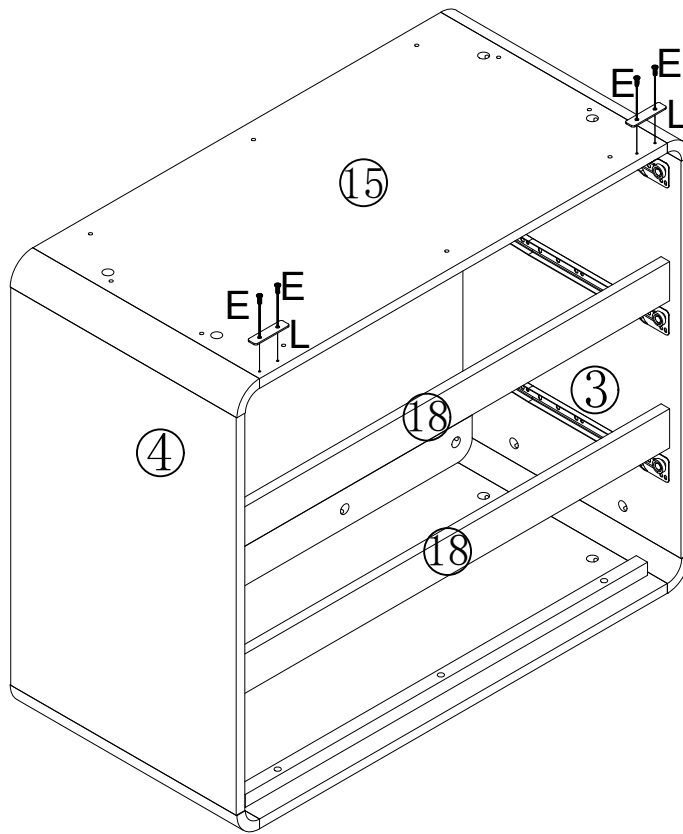


Step 10

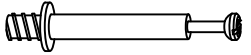


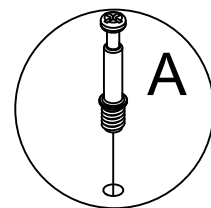
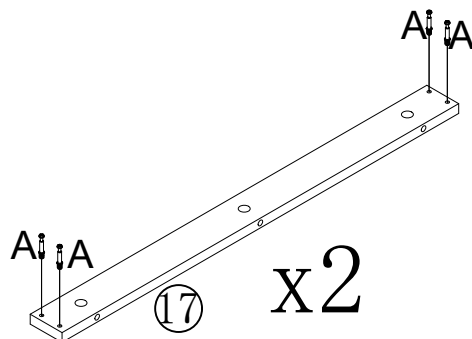
Step 11

E	×4	L	×2
			

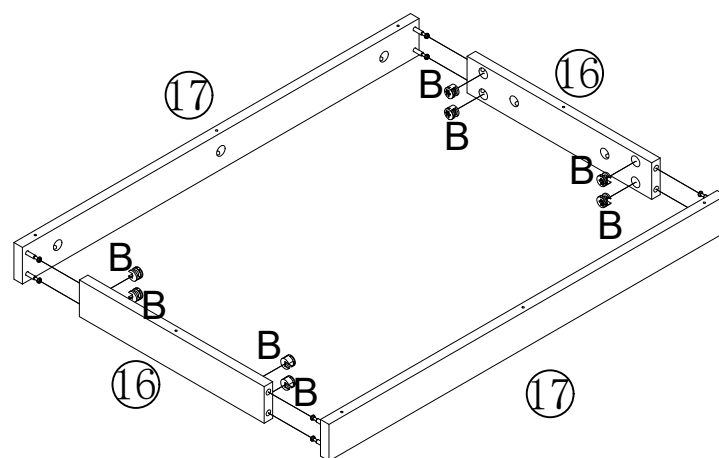
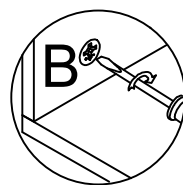
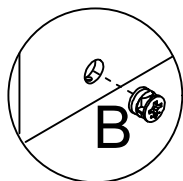
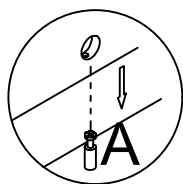
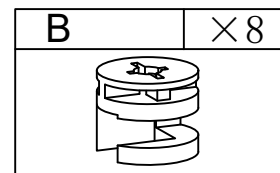


Step 12

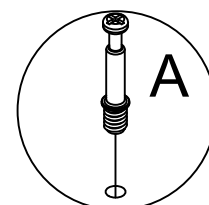
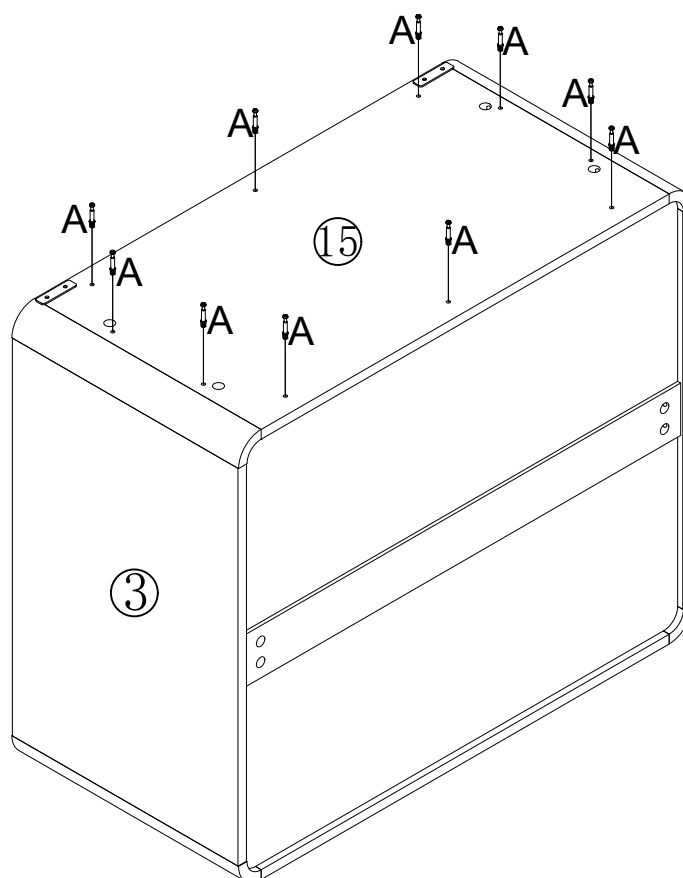
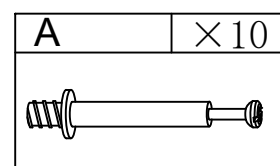
A	×8
	



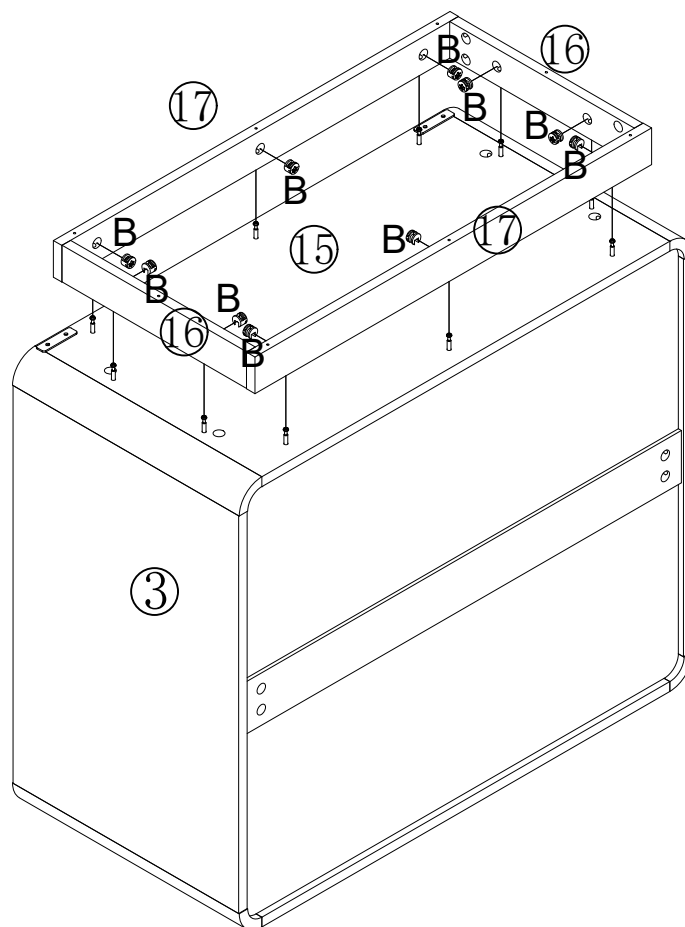
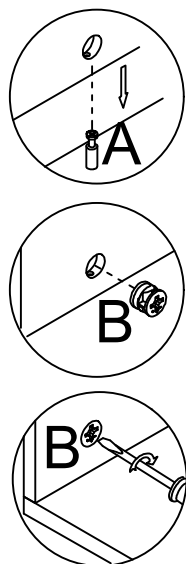
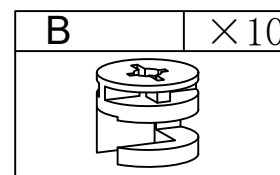
Step 13



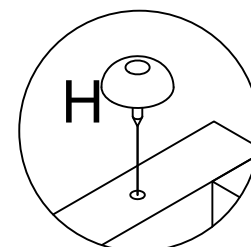
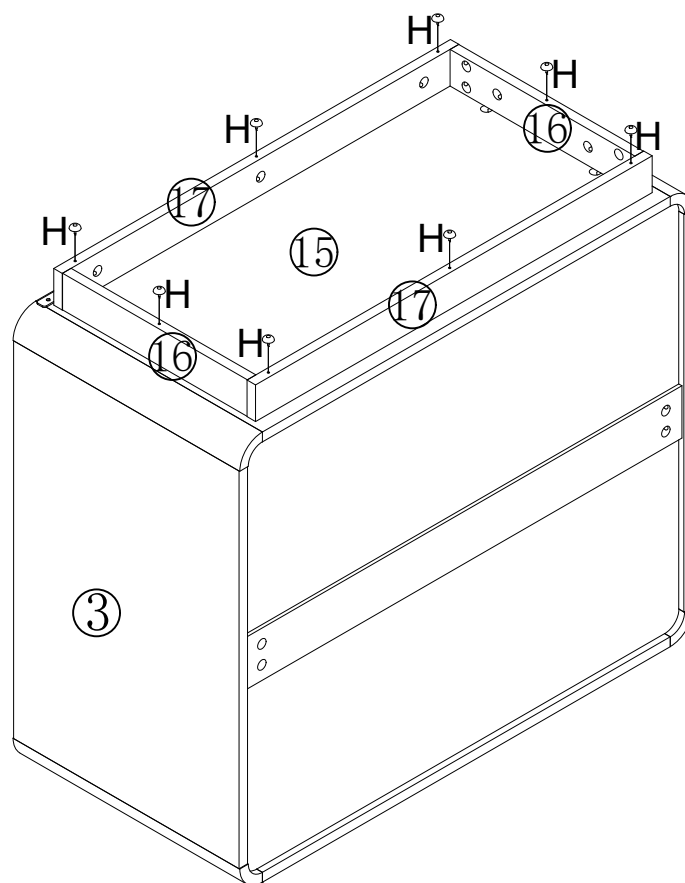
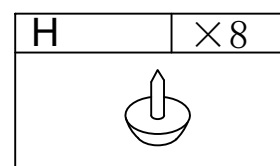
Step 14



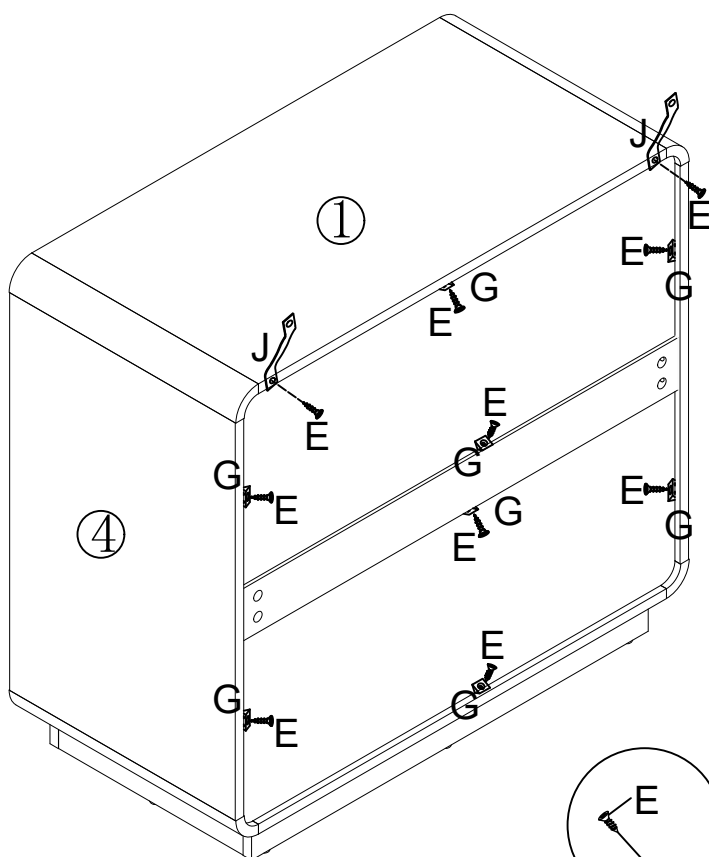
Step 15




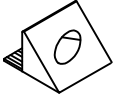
Step 16

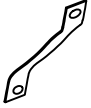


Step 17

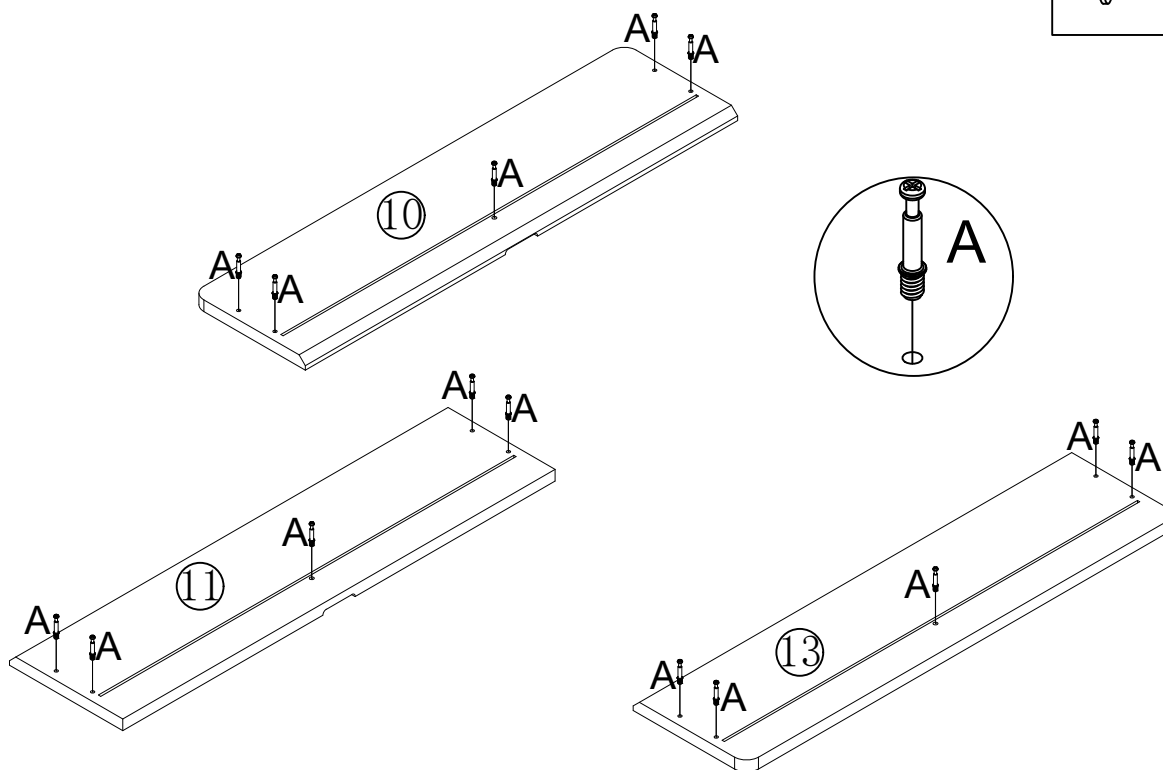


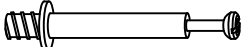
E	×10
	

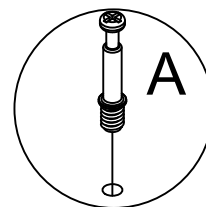
G	×8
	

J	×2
	

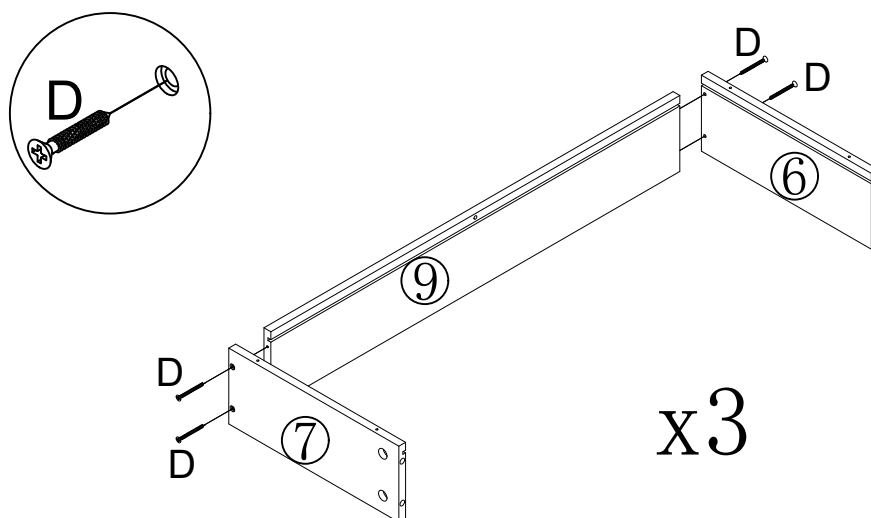
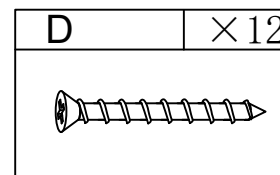
Step 18



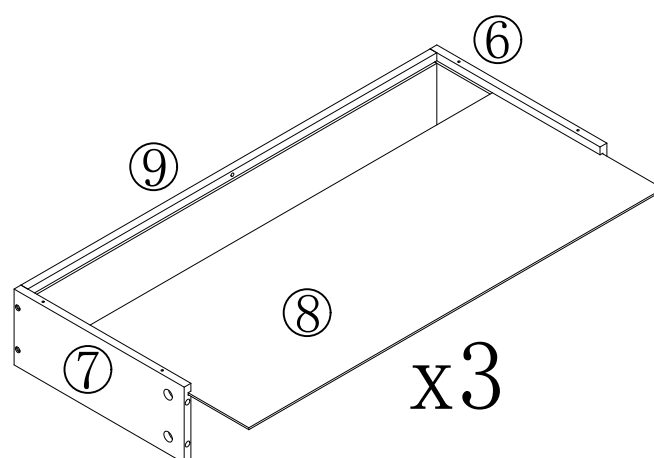
A	×15
	



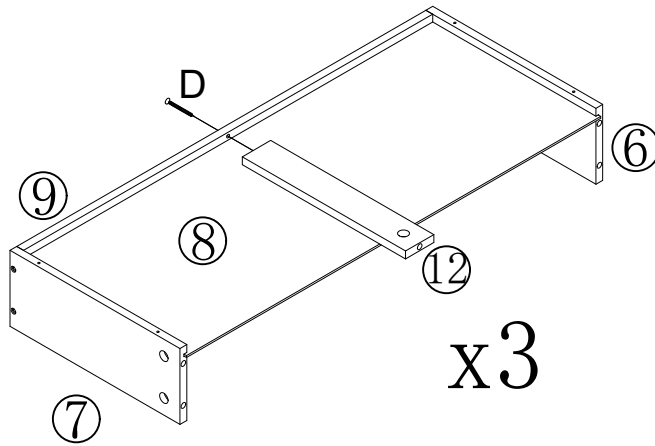
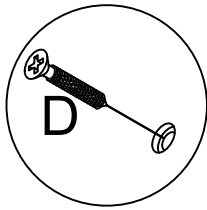
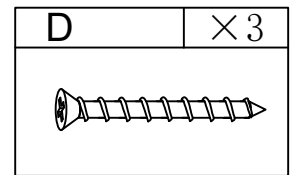
Step 19



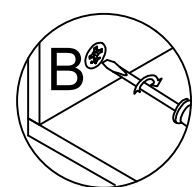
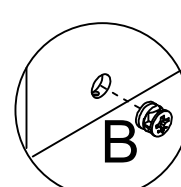
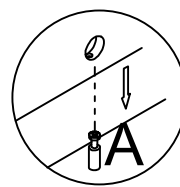
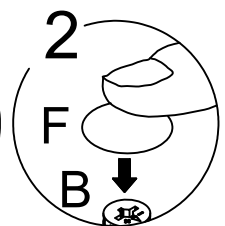
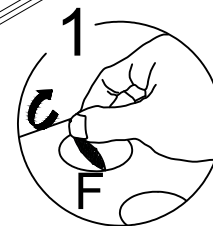
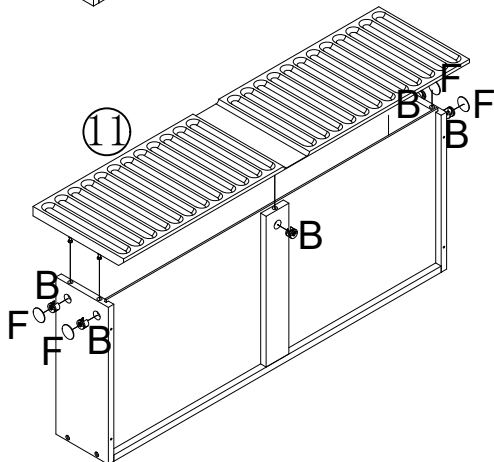
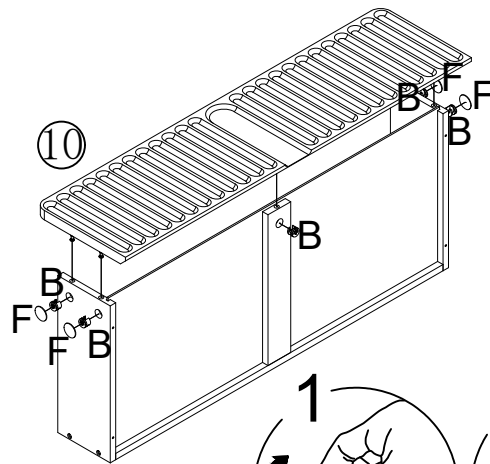
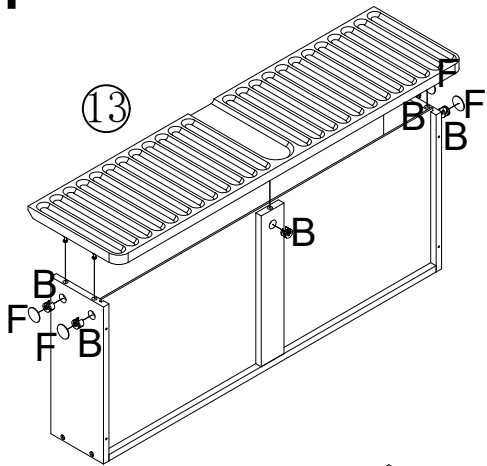
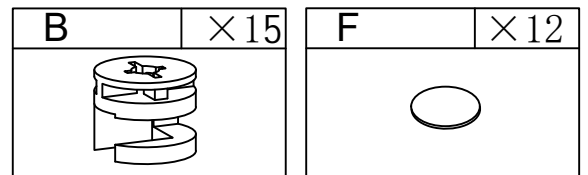
Step 20



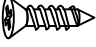
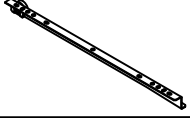
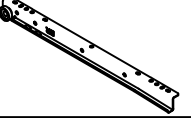
Step 21

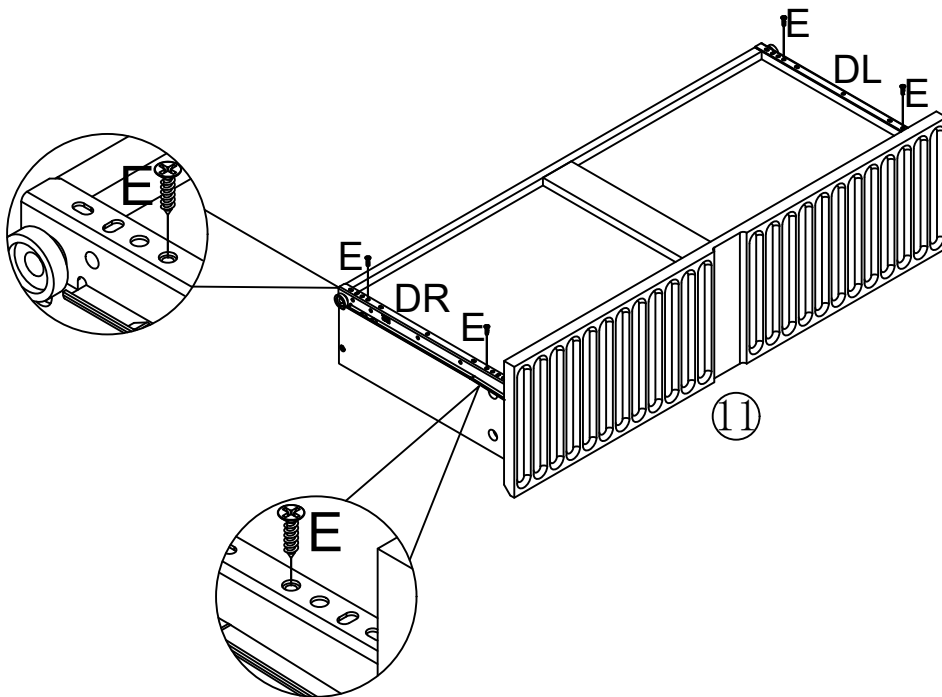
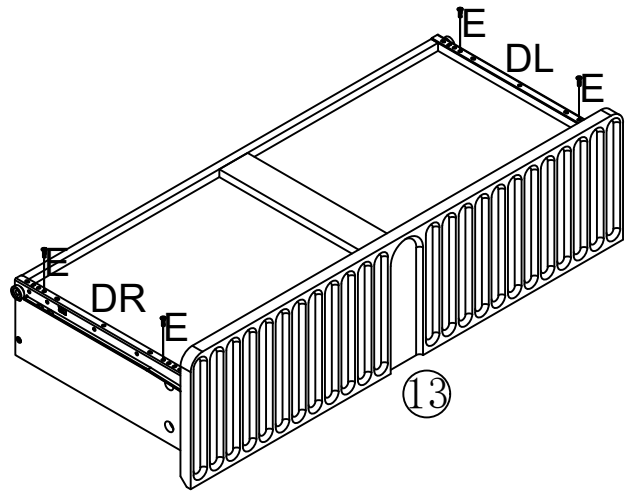
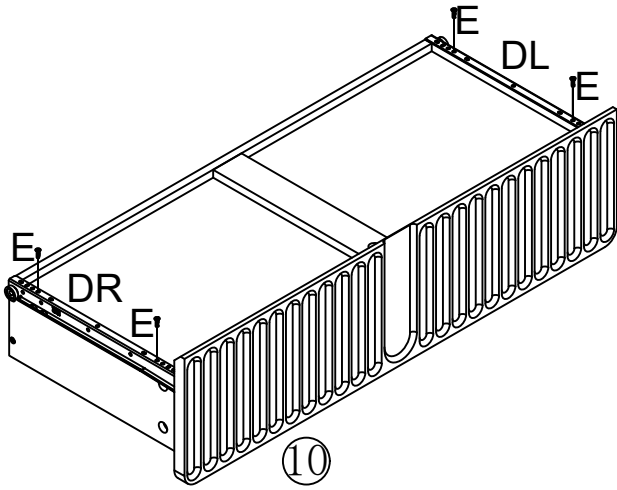
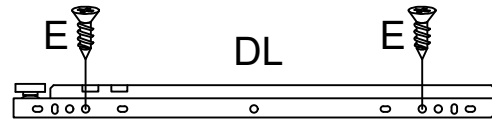


Step 22

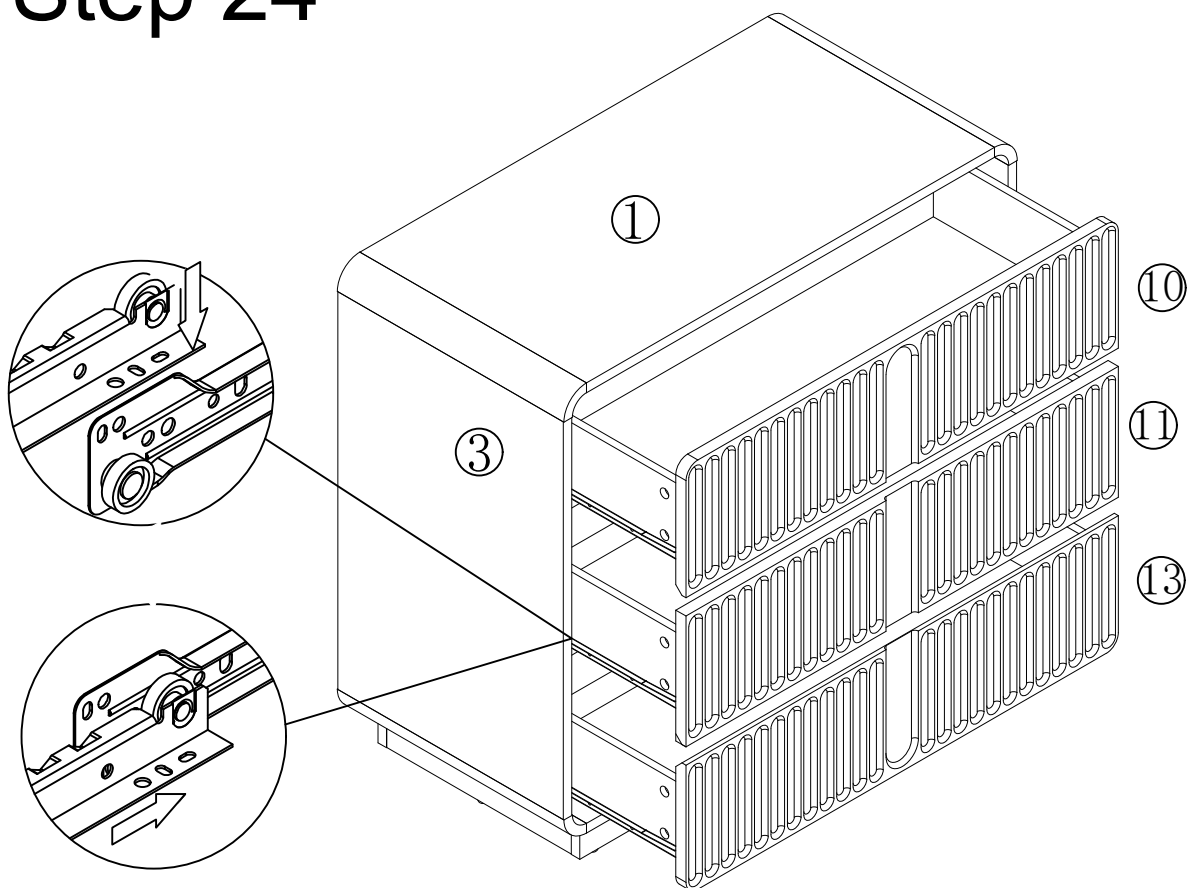


Step 23

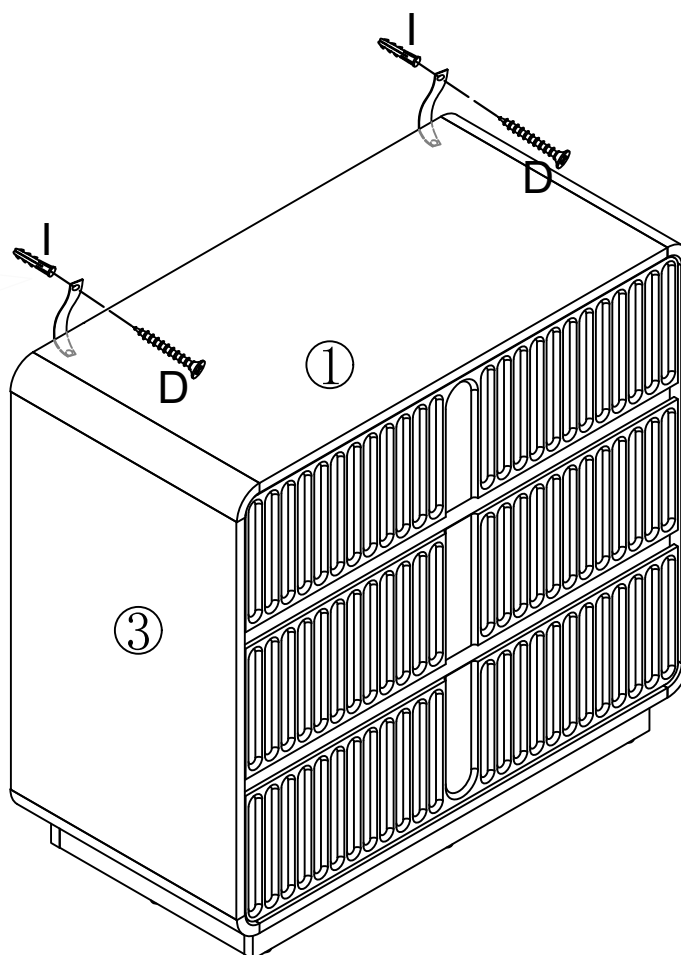
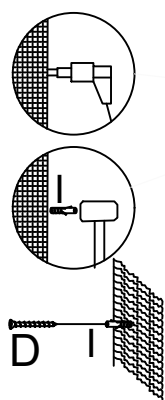
E	×12	DL	×3	DR	×3
					

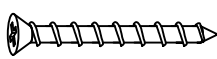



Step 24



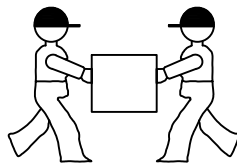
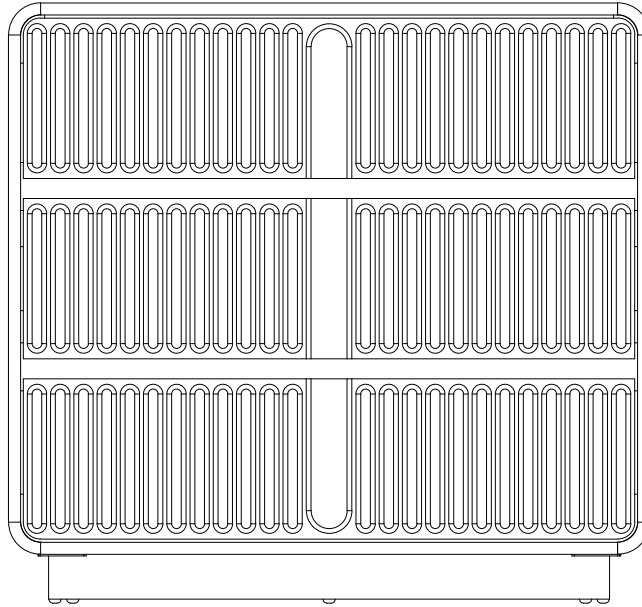
Step 25



D	×2
	

I	×2
	

Step 26



Two people work together to move the table.
Make sure you lift it off the ground.
Don't push and pull.