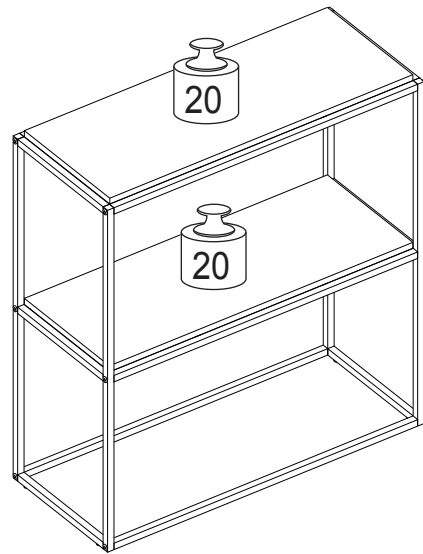


Recommended Maximum Weight



*Unit in Pound(lbs)

WARNING:

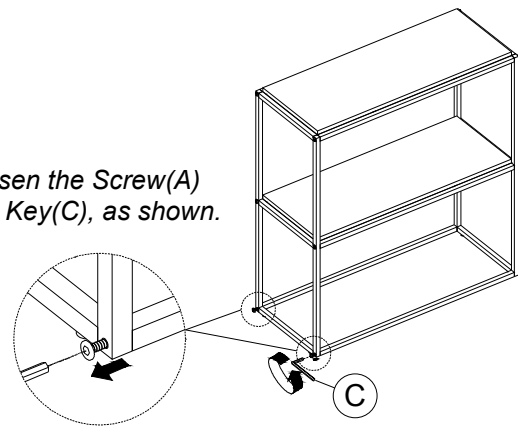
>This unit has been designed to support the maximum loads shown. Exceeding these load limits could cause sagging, instability, product collapse, and/or serious injury.

>DO NOT allow children to climb on unit.

STACK UP FUNCTION

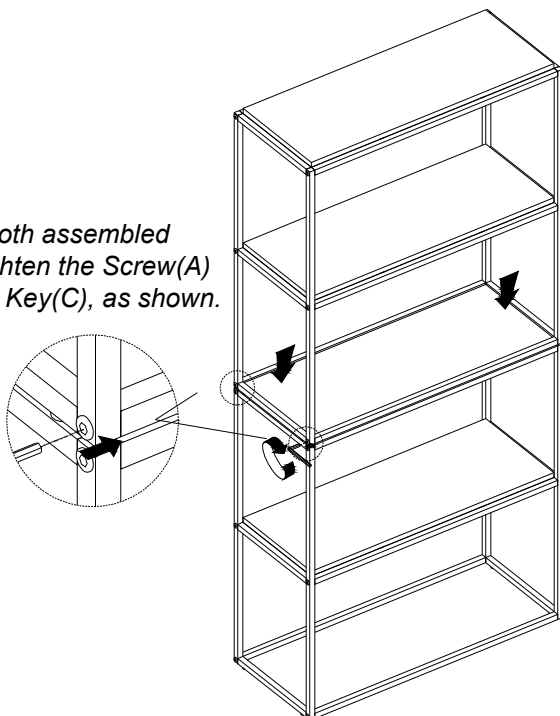
STEP (a)

Slightly loosen the Screw(A) using Allen Key(C), as shown.



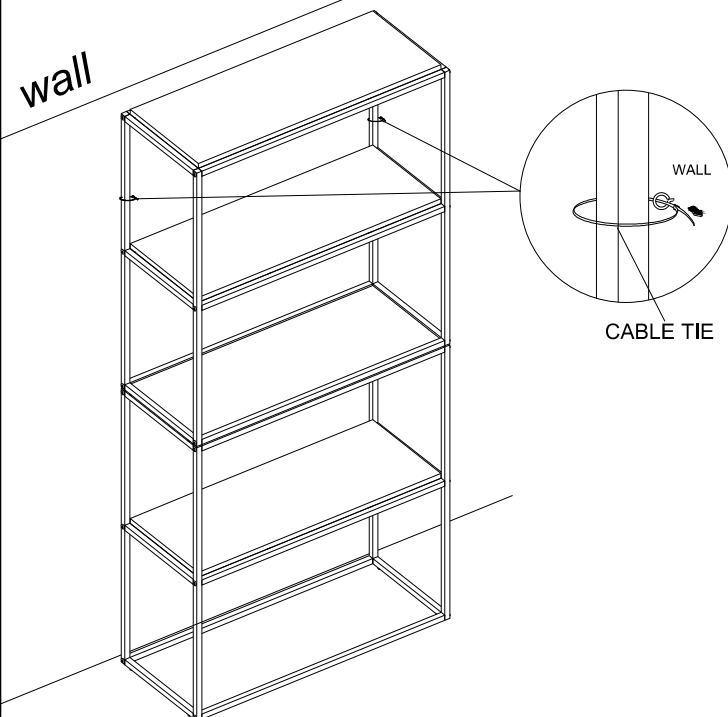
STEP (b)

Combine both assembled unit and tighten the Screw(A) using Allen Key(C), as shown.



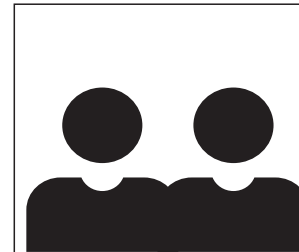
PLEASE FOLLOW BELOW INSTRUCTION TO PREVENT PRODUCT TIP OVER.

HARDWARE LIST			QTY
			2 Sets

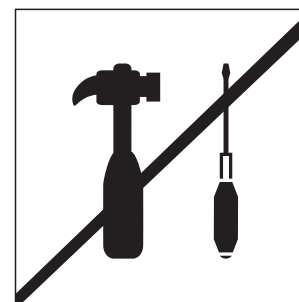


00:25

Approx. 25 minutes



Recomm. 2 Persons

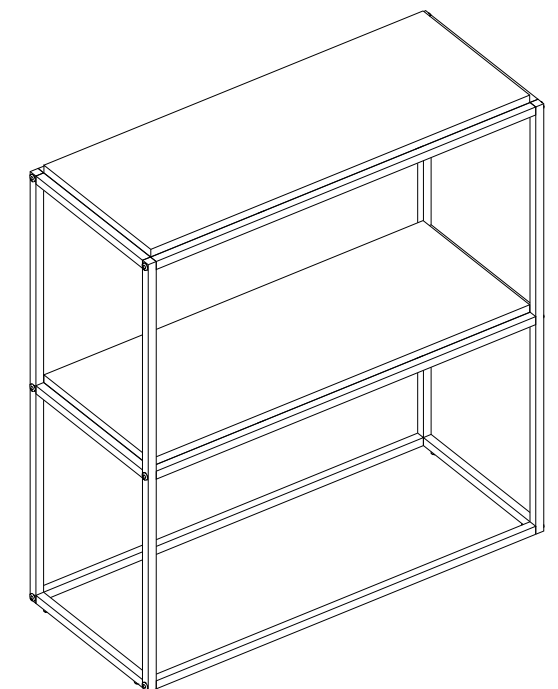


No Tools Required

Assembly Instruction

Furinno Moretti Modern Lifestyle
Wide Stackable Shelf, 2-Tier

MODEL : **FM19160**





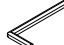

Customer Support





NEED HELP? For replacement requests or product inquiries, please contact our Customer Service Team by emailing us at support@furinno.com. Thank you for selecting Furinno!

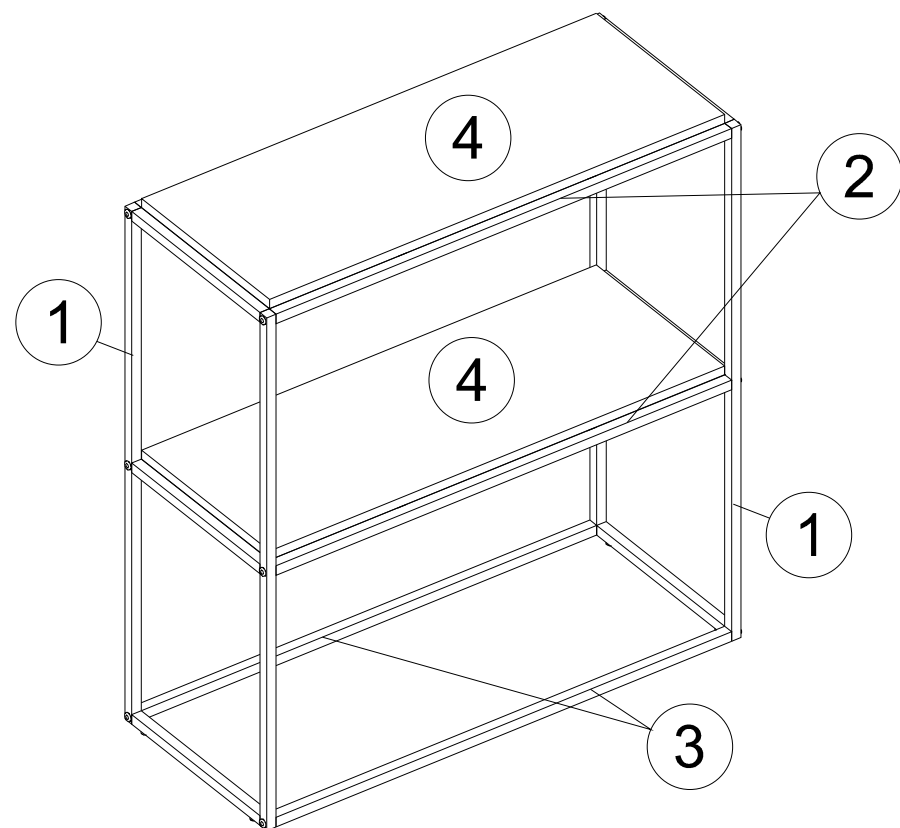
www.furinno.com



HARDWARE & PARTS LIST

NO	HARDWARE LIST	QTY
A	LONG SCREW 	12pcs
B	SHORT SCREW 	8pcs
C	ALLEN KEY 	1pc
D	RUBBER STUD 	4pcs

NO	PARTS LIST	QTY
1	METAL FRAME 	2pcs
2	UPPER RAIL 	4pcs
3	BOTTOM RAIL 	2pcs
4	SHELF PANEL 	2pcs



USEFUL HINTS BEFORE YOU START:

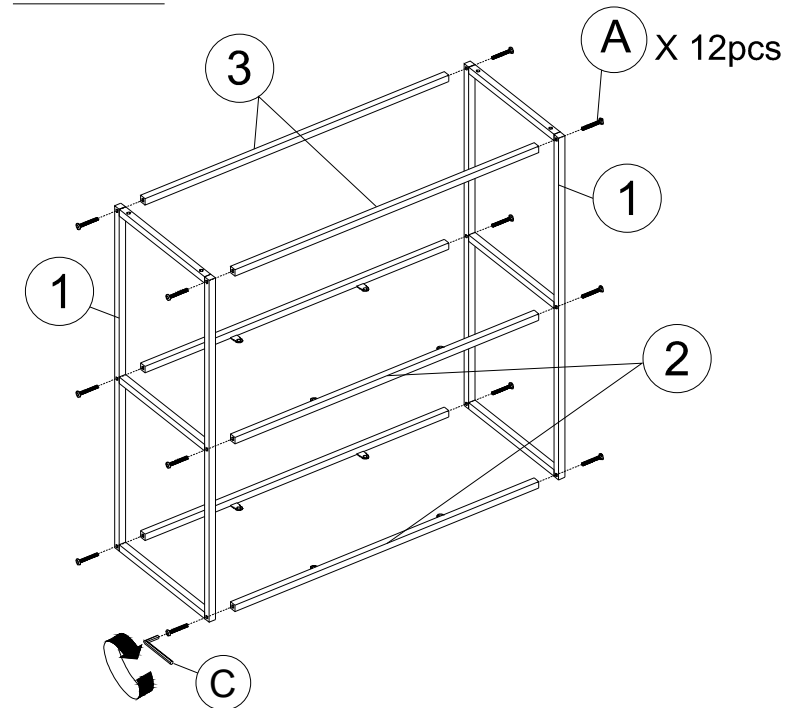
1. Read each step carefully before assembling.
2. It is important that each step is performed in correct order to avoid difficulties.
3. Identify, sort and count the parts before assembly.
4. Assemble your furniture on packaging cardboard to prevent scratch or damage.
5. Clean the product with mild cleanser using soft dampened cloth. Do not use harsh or abrasive cleanser.
6. Using incompatible hardware might cause damage to product.

ASSEMBLY INSTRUCTIONS

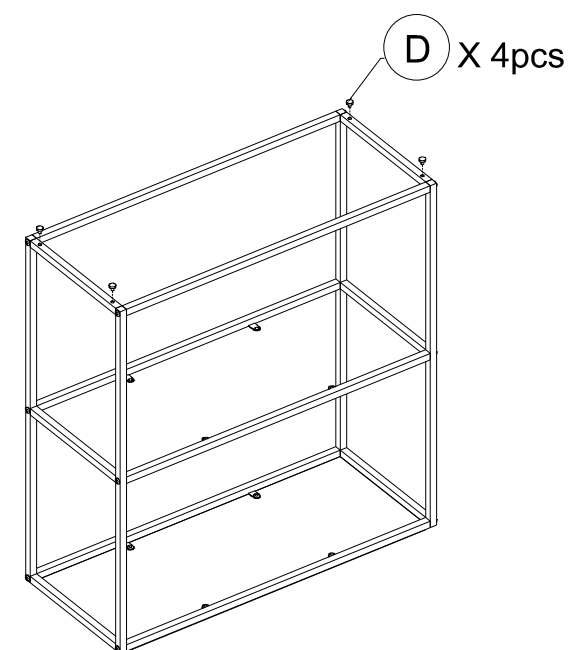
BEFORE YOU BEGIN, PLEASE READ ASSEMBLY INSTRUCTION CAREFULLY, FOLLOW THEM STEP BY STEP.

REMINDER: Please do not fully tighten any screw until all of them are in right positions.

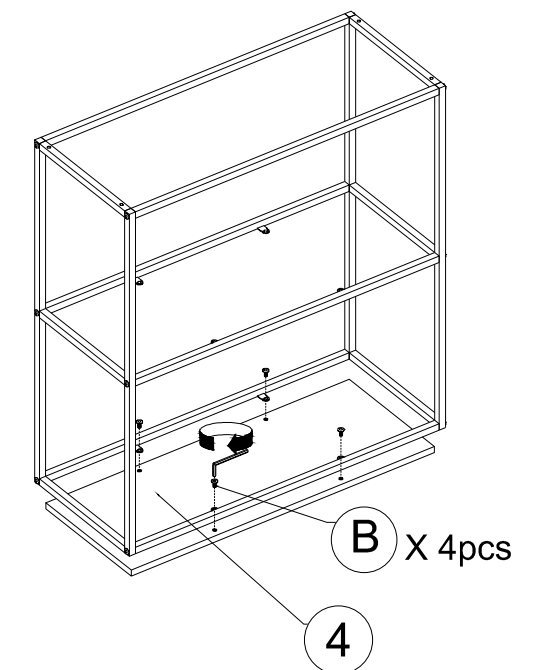
STEP 1



STEP 3



STEP 2



STEP 4

