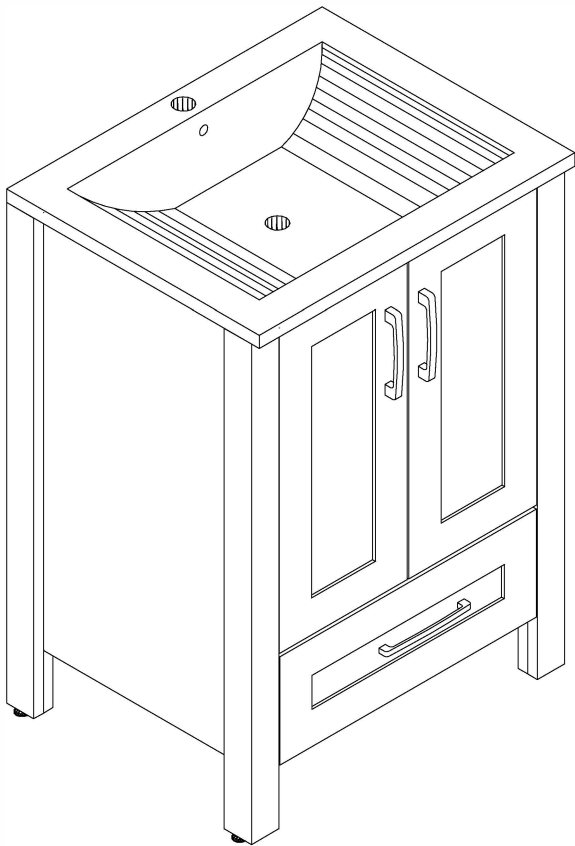
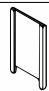

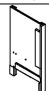



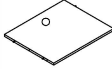

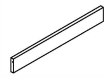

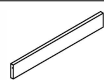

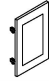

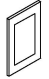

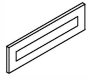



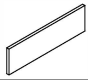
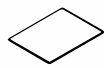


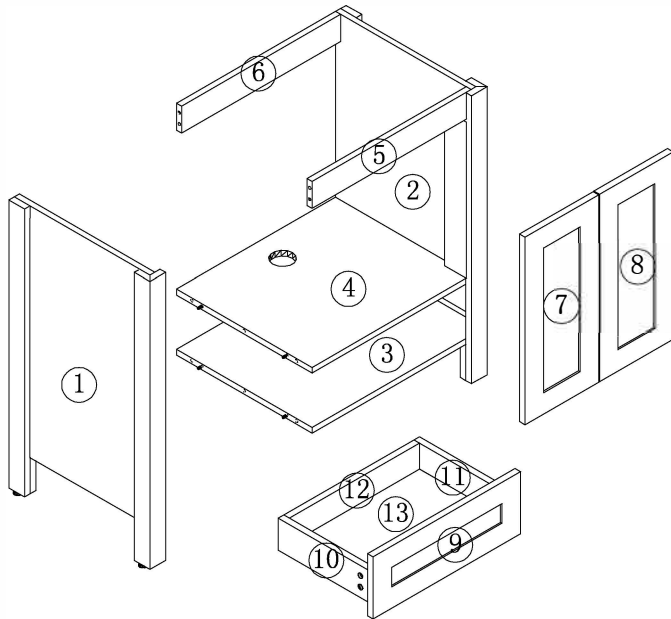
DIMENSIONS



PARTS LIST

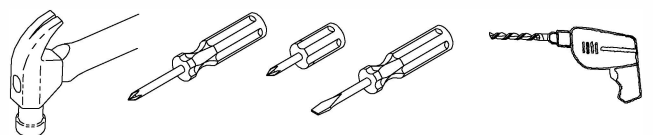
PARTS LIST			HARDWARE LIST		
NO	DESCRIPTION	QTY	NO	DESCRIPTION	QTY
①		1	A		28
②		1	B		28
③		1	C		28
④		1	D		8
⑤		1	E		4
⑥		1	F		36
⑦		1	G		6
⑧		1	H		3
⑨		1	I		2
⑩		1			
⑪		1			
⑫		1			
⑬		1			

ASSEMBLY DIAGRAM



CAUTION: Please confirm the parts list before installation

YOU MAY NEED (NOT SUPPLIED)

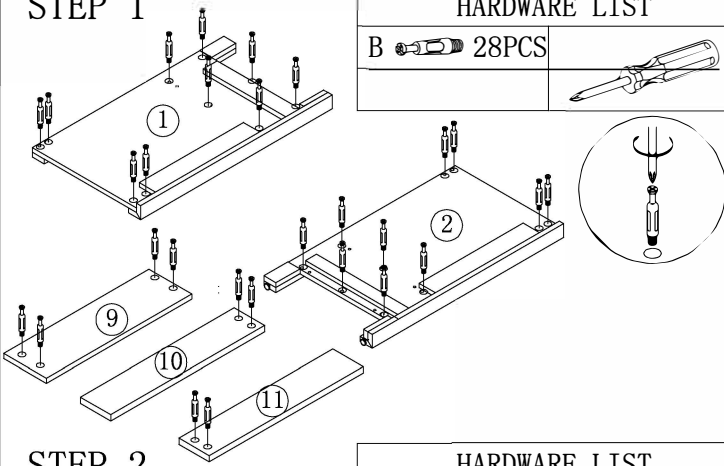
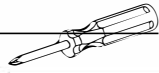


INSTALLATIONS

STEP 1

HARDWARE LIST

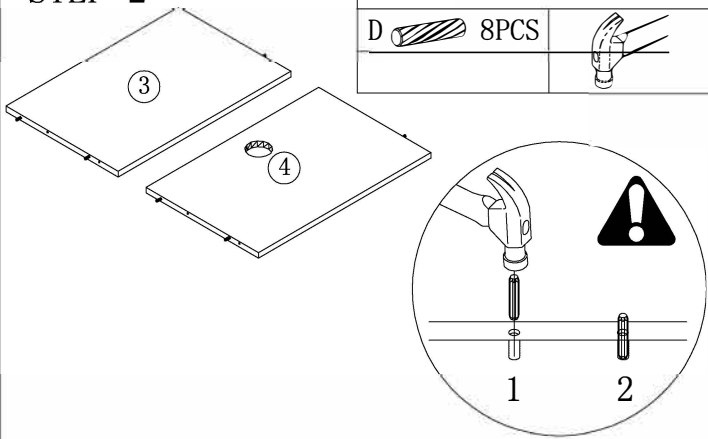
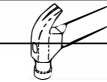
B  28PCS



STEP 2

HARDWARE LIST

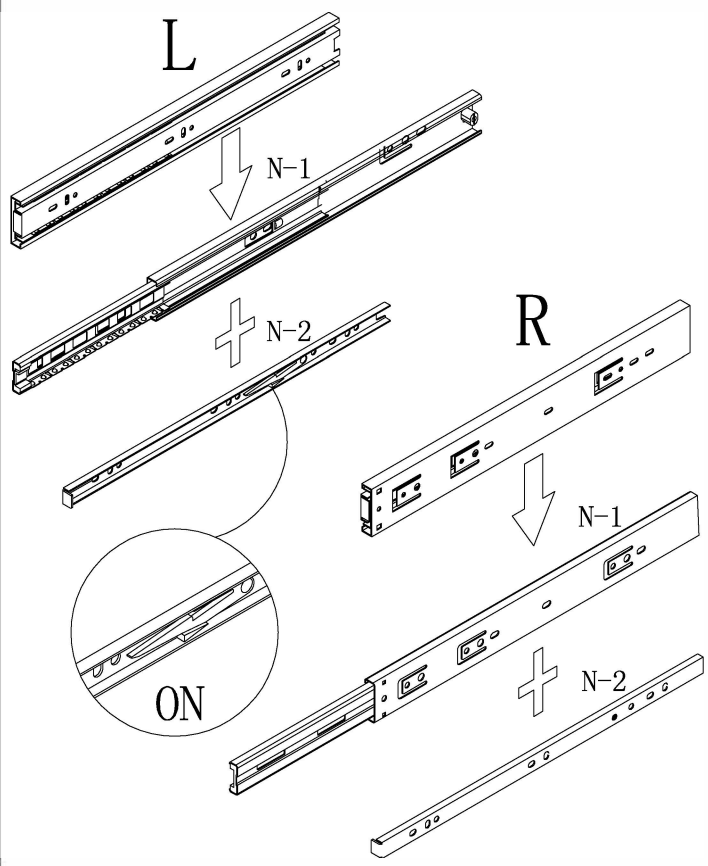
D  8PCS



STEP 3

HARDWARE LIST

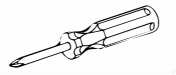
I  2PCS




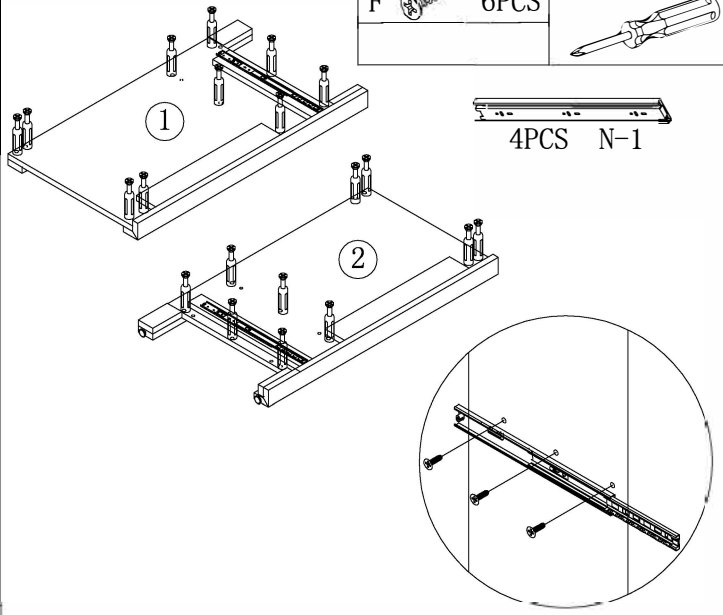
STEP 4

HARDWARE LIST

F  6PCS




 4PCS N-1

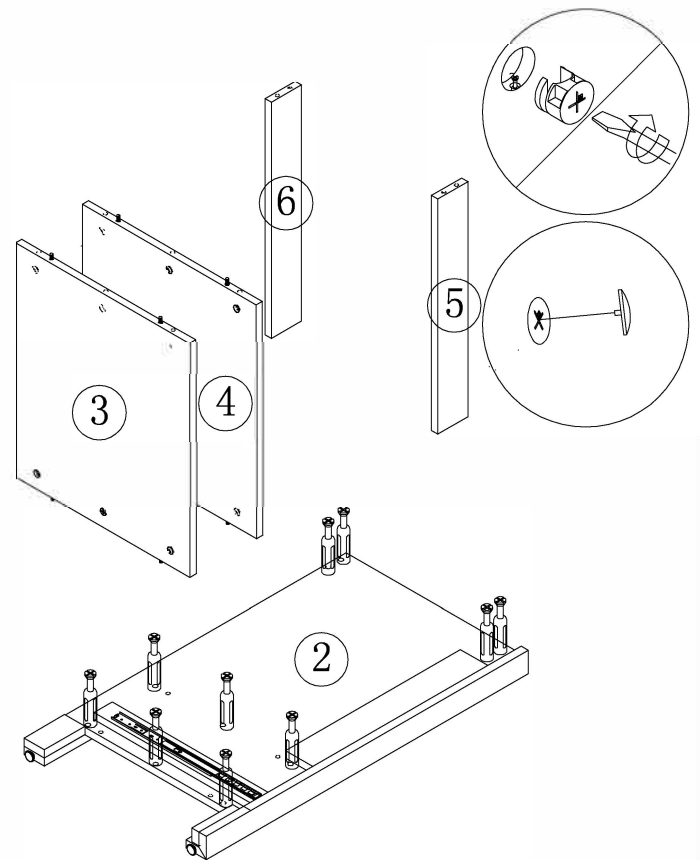
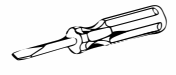


STEP 5

HARDWARE LIST



A  10PCS

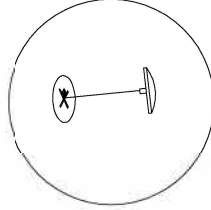
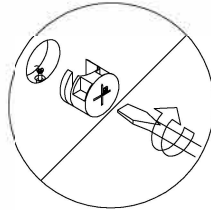
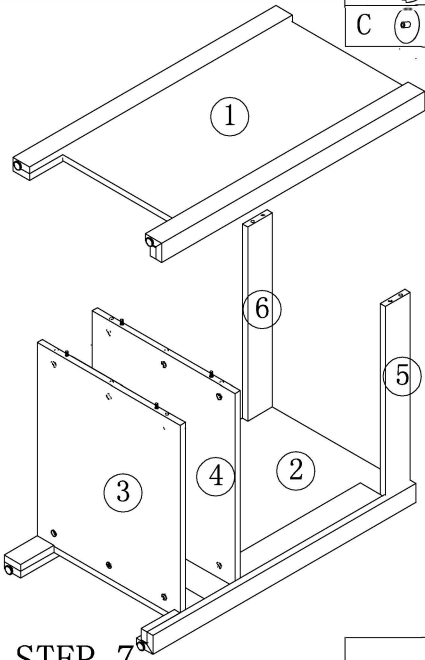
C  10PCS



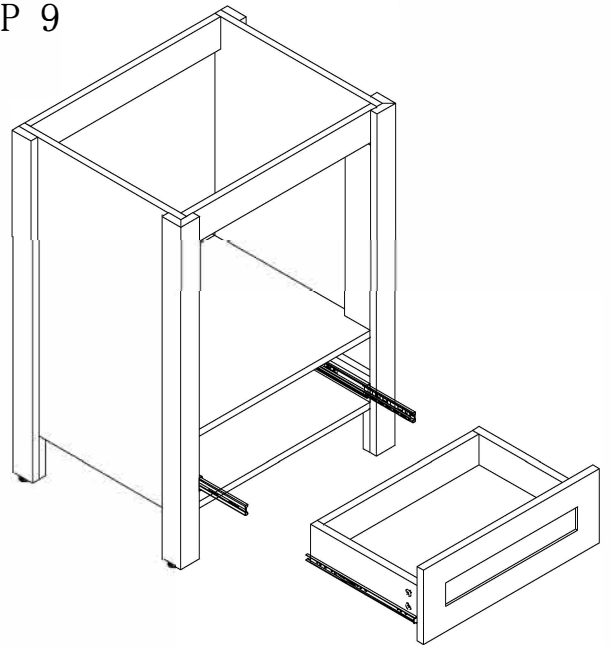
STEP 6

HARDWARE LIST

A		2PCS
C		10PCS



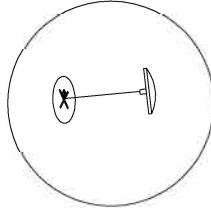
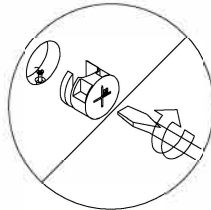
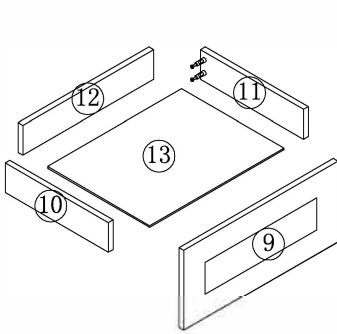
STEP 9



STEP 7





HARDWARE LIST

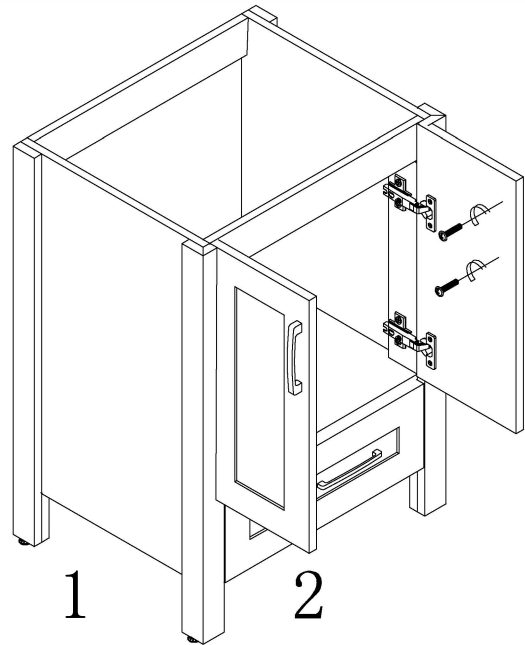
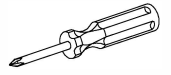
A		8PCS
C		8PCS



STEP 10

HARDWARE LIST

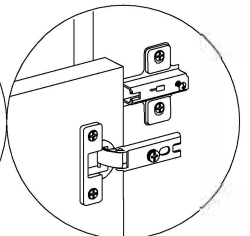
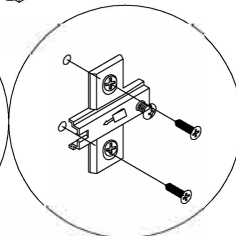
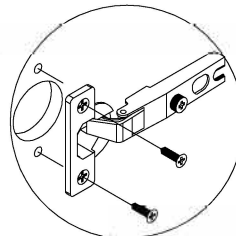
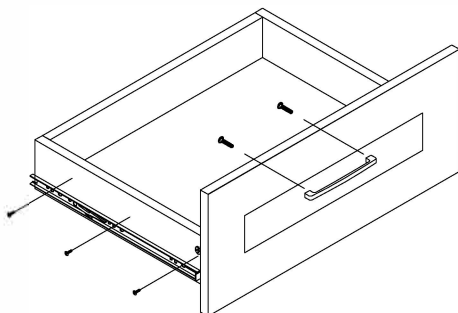
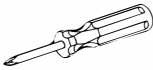
F		24PCS
H		2PCS
G		4PCS
E		4PCS



STEP 8

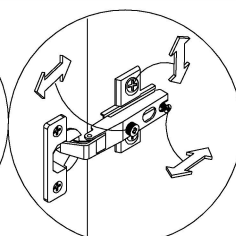
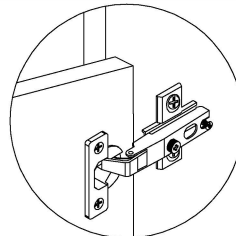
HARDWARE LIST

F		6PCS
G		2PCS
H		1PCS

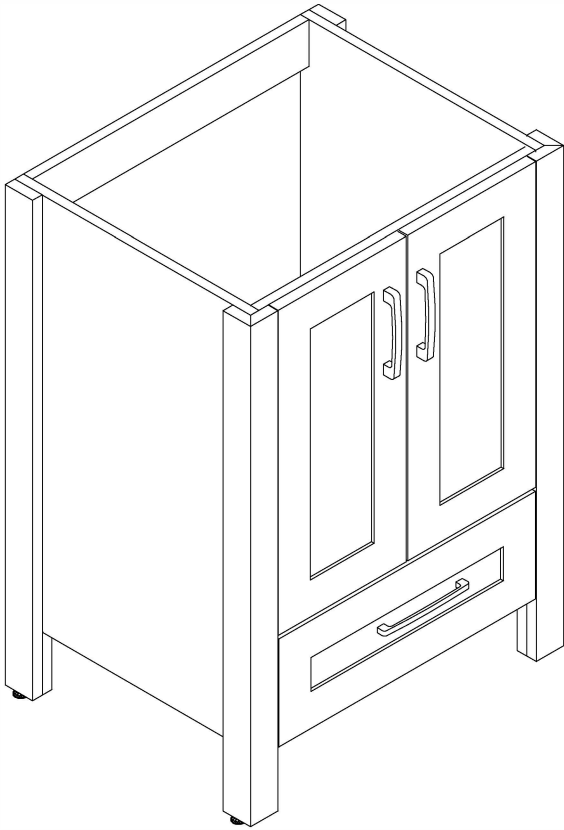
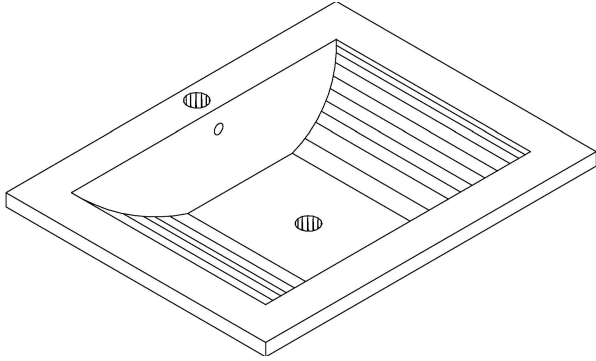


4

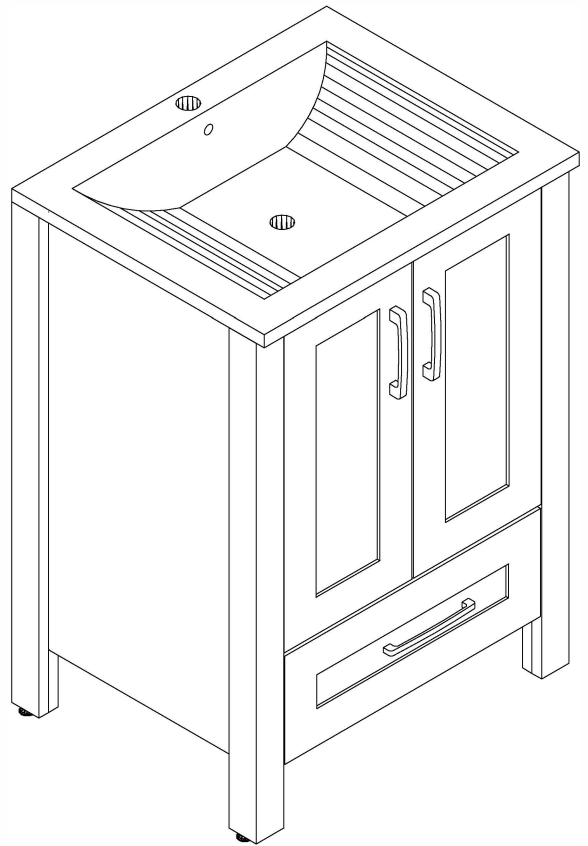
5



STEP 11



STEP 12





Choking hazard-Small Parts : This unit contains small parts, not for children under 3 years.

Tip-over hazard : Secure finished unit to wall stud using L-Bracket and wall screw (#10*1.5"W/out provided). If a wall stud is not neccessible ,Consault your local hardware store for appropriate mounting hardware . Failure to properly install will result in product collapse or tip-over. Serious injury can occur .