

SINGLE DRAPERY ROD INSTALLATION INSTRUCTIONS

PARTS LIST	Mounting Brackets	Mounting Screws	Wall Anchors	Rods
42-120"	3	6	6	3

1



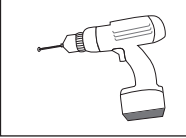
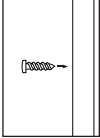
Place bracket in desired location.

Using a pencil, mark wall at top of both holes. Repeat for each bracket, ensuring that the brackets are evenly spaced and are at the same height.

2a

FOR MOUNTING TO WOOD OR STUDS

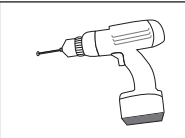
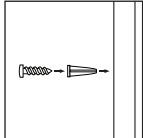
Drill screws into the pencil marks on the wall.

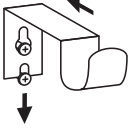
2b

FOR MOUNTING TO DRYWALL OR PANELING

Pre-drill holes for wall anchors, using a 7/32" bit, into the pencil marks on the wall. Then insert anchors into holes and insert screws into wall anchors.

3

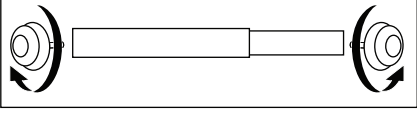
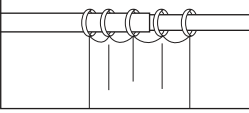
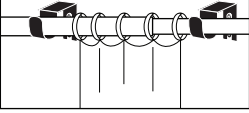
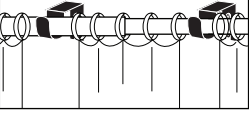
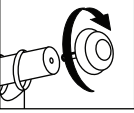


Position screw head into the bracket's top hole and lock into place.

4a

TO USE ROD UP TO 80 INCH EXTENSION – USE ONE SMALL DIAMETER AND ONE LARGE DIAMETER SECTION. THE 3RD SECTION CAN BE DISCARDED OR STORED. MOUNT ROD USING 2 OR 3 BRACKETS AS NEEDED TO SUPPORT THE WEIGHT OF YOUR CURTAINS. SEE INSTRUCTIONS FOR MOUNTING BRACKETS BELOW.

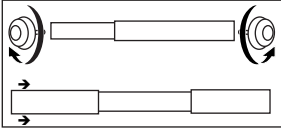
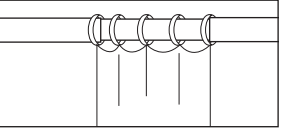
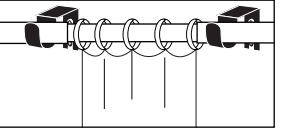
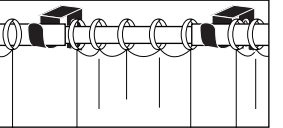
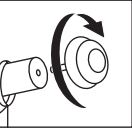
Begin by removing the finials from both ends of the rod. Slide on drapery clips (if desired) and/or drapery panels (only for clips and drapery panels to be positioned within the brackets). Slide pole into bracket hole. Add drapery clips and/or panels to be positioned outside of brackets. Screw finials back onto the ends of the rods.

4b

TO USE ROD FOR EXTENSION BEYOND 80 INCHES – UNSCREW FINIAL FROM THE SMALL DIAMETER SECTION AND TRANSFER TO THE SECOND LARGE DIAMETER SECTION, SCREWING IT SECURELY INTO THE THREADED END. THEN ASSEMBLE ALL 3 RODS WITH THE LARGE DIAMETER SECTIONS AT THE OUTER ENDS AND THE SMALL DIAMETER SECTION IN THE MIDDLE. MOUNT ROD USING ALL 3 BRACKETS, INSTALLING AS DESCRIBED BELOW.

Begin by unscrewing the finials from both ends of the rod. Put the third rod onto the end of the small rod. Slide on drapery clips (if desired) and/or drapery panels (only for clips and drapery panels to be positioned within the brackets). Slide pole into bracket hole. Add drapery clips and/or panels to be positioned outside of brackets. Screw finials back onto the ends of the rods.

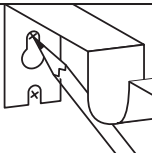
5

Lock rod into position by tightening leveling screws by hand until tight. This will prevent the rod from moving.

DOUBLE DRAPERY ROD INSTALLATION INSTRUCTIONS

PARTS LIST	Mounting Brackets	Mounting Screws	Wall Anchors	Back Rods	Front Rods
42-120"	3	6	6	3	3

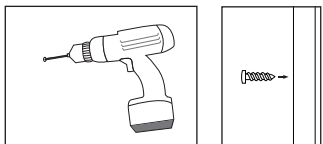
1 Place bracket in desired location.



Using a pencil, mark wall at top of both holes. Repeat for each bracket, ensuring that the brackets are evenly spaced and are at the same height.

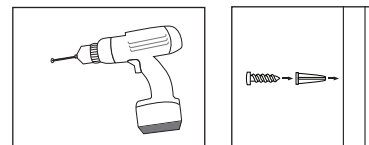
2a FOR MOUNTING TO WOOD OR STUDS

Drill screws into the pencil marks on the wall.

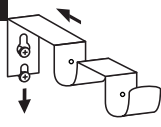


2b FOR MOUNTING TO DRYWALL OR PANELING

Pre-drill holes for wall anchors, using a 7/32" bit, into the pencil marks on the wall. Then insert anchors into holes and insert screws into wall anchors.

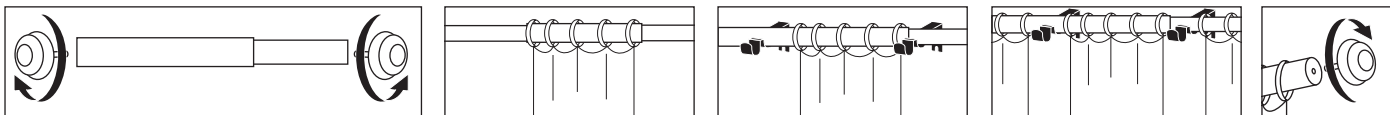


3 Position screw heads into the bracket's holes and tighten.

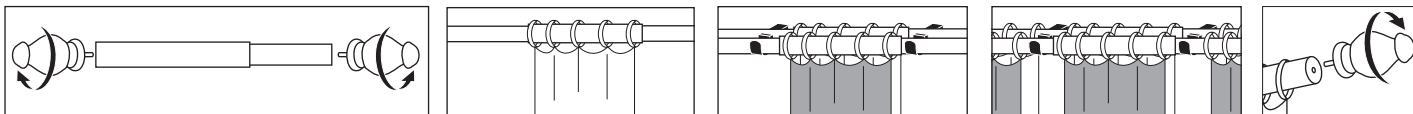


4a TO USE RODS UP TO 80 INCH EXTENSION – USE ONE SMALL DIAMETER AND ONE LARGE DIAMETER SECTION FOR THE FRONT, AND ONE SMALL DIAMETER AND ONE LARGE DIAMETER SECTION FOR THE BACK. THE 3RD SECTIONS CAN BE DISCARDED OR STORED. MOUNT RODS USING 2 OR 3 BRACKETS AS NEEDED TO SUPPORT THE WEIGHT OF YOUR CURTAINS. SEE INSTRUCTIONS FOR MOUNTING BRACKETS BELOW.

If you DO NOT wish to extend your drapery rod to more than 80" then begin by removing the endcap from both ends of the back rod. Slide on drapery clips (if desired) and/or drapery panels (only for clips and drapery panels to be positioned within the brackets). Slide pole into back bracket hole. Add drapery clips and/or panels to be positioned outside of brackets. Screw endcaps back onto the ends of the rods.



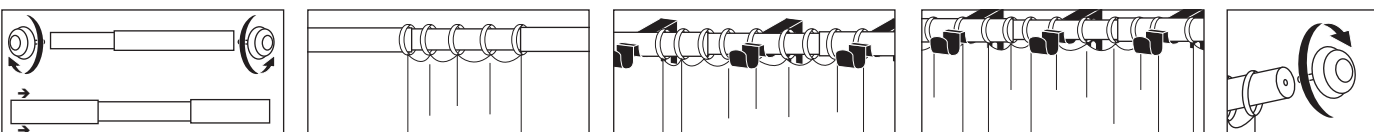
Repeat for front rod (with finials instead of endcaps) and the front bracket holes.



* For poles between 66" and 80", a third bracket will be needed.

4b TO USE RODS FOR EXTENSION BEYOND 81 INCHES – UNSCREW FINIALS (FRONT ROD) AND ENDCAPS (BACK ROD) FROM THE SMALL DIAMETER SECTIONS AND TRANSFER TO THE SECOND LARGE DIAMETER SECTIONS, SCREWING THEM SECURELY INTO THE THREADED ENDS. THEN ASSEMBLE ALL 3 RODS WITH THE LARGE DIAMETER SECTIONS AT THE OUTER ENDS AND THE SMALL DIAMETER SECTION IN THE MIDDLE (BOTH FRONT AND BACK ROD). MOUNT ROD USING ALL 3 BRACKETS, INSTALLING AS DESCRIBED BELOW.

Begin by unscrewing the endcaps from both ends of the back rod. Put the third rod onto the end of the small rod. Slide on drapery clips (if desired) and/or drapery panels (only for clips and drapery panels to be positioned within the brackets). Slide pole into back bracket hole. Add drapery clips and/or panels to be positioned outside of brackets. Screw endcaps back onto the ends of the rods.



Repeat for front rod (with finials instead of endcaps) and the front bracket holes.

