

Owner Manual



Per Seat Weight Limitation

300 LBS

Thank You For Choosing Our Furniture

NOTE:







This brochure contains
IMPORTANT safety info.
Please read and keep it
for future reference.

MAINTENANCE AND WARNINGS



Before You Start

Please follow the steps below:




-  **Un box the package and check if all parts and accessories are complete.**
-  **Place the parts of the chair on a flat surface.**
-  **Ensure the chair is placed on a stable, flat surface to prevent it from tilting.**
-  **Avoid placing sharp or heavy objects directly on the chair to prevent tears or deformation.**
-  **Clean the installation area in advance and ensure the ground is level and there is enough space to avoid damaging the furniture or making installation difficult.**
-  **Lay a protective mat on the ground to prevent scratching the floor during installation.**

After-Sales Service

- **If you encounter any issues or need technical support during use, please contact our after-sales team. We offer long-term maintenance and warranty services.**





Precautions

-  This chair is for indoor use only. Do not expose it to outdoor elements or high-humidity environments.
-  Keep the product away from high heat or open flames to prevent fire hazards.
-  Do not allow children or pets to play on the chair unsupervised to avoid accidents.




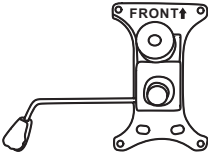

Safety Warnings



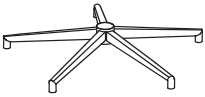
-  If you notice any loose or damaged parts, stop using the sofa immediately and contact customer service.
-  Do not attempt to disassemble or replace any components yourself, as this may affect the stability and safety of the product.


Daily Maintenance

- Regularly clean the surface of the sofa with a chair cloth to prevent dust accumulation.
- For fabric chairs, it is recommended to vacuum weekly and clean the fabric as needed.
- For leather chairs, use a leather cleaner regularly to clean and maintain the material. Avoid direct sunlight to prevent leather aging.
- In case of spills, immediately blot the area with a clean, dry cloth







Parts List

<p>A x1</p>  <p>Seat cushion</p>	<p>B x1</p>  <p>Bottom mechanism</p>	<p>C x1</p>  <p>Gas lift</p>
--	--	--




<p>D x2</p>  <p>Arm</p>	<p>E x1</p>  <p>Metal base cap</p>	<p>F x1</p>  <p>Spider base</p>
---	--	---

<p>G x5</p>  <p>Casters</p>		
---	--	--

Hardware List

1 x4 	2 x4 	3 x1 	4 x4 
M8*55mm	M6*20mm	M6	
5 x1 	6 x1 		
	M8		

Hardware Spare List

1 x1 	2 x1 	4 x1 	
M8*55mm	M6*20mm		

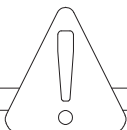


Installation:
15minutes.

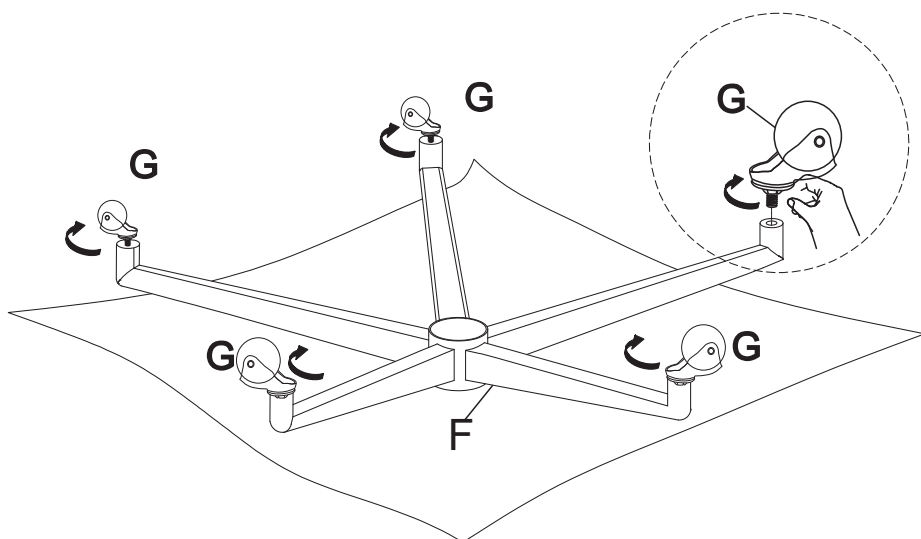


One Person

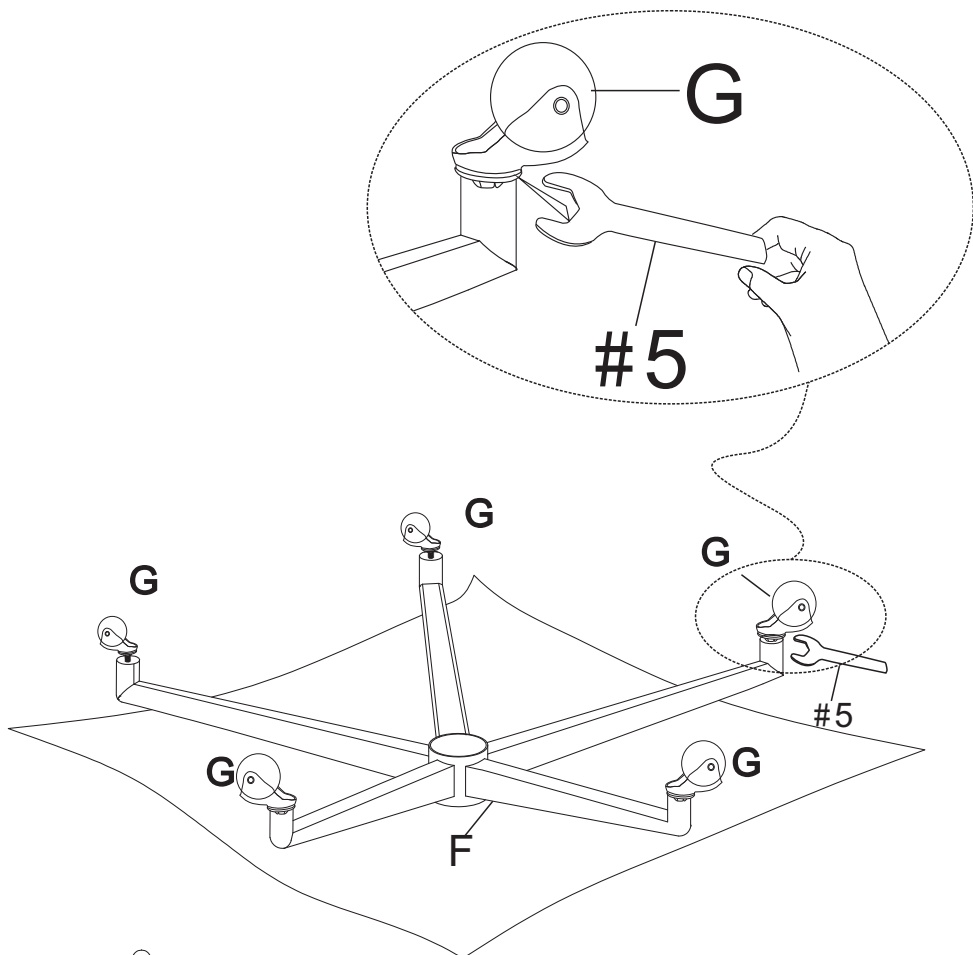
Step 1



Firstly, insert the foot into the hole position, then rotate and tighten it according to the arrow direction.

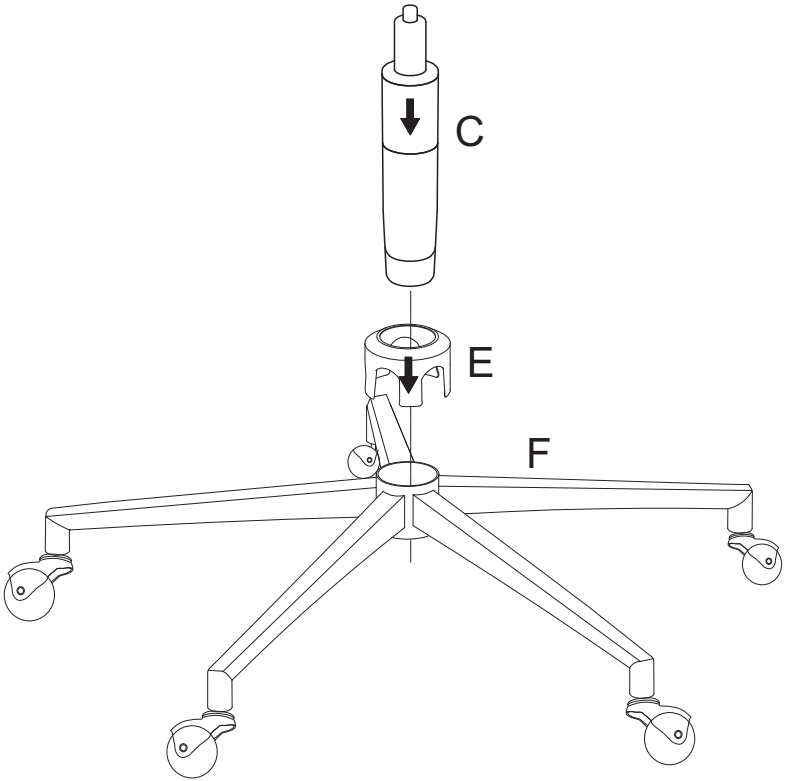


Step 2

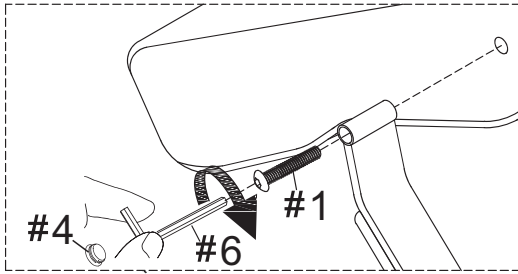


Firstly, insert the foot into the hole position, then rotate and tighten it according to the arrow direction.

Step 3

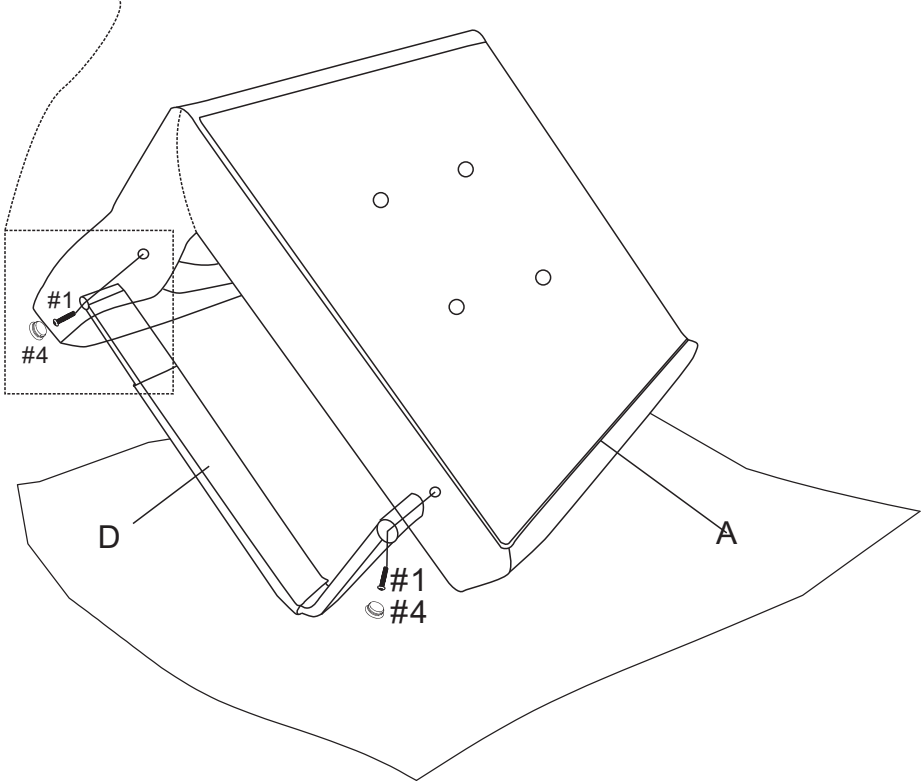


Step 4



!

Please place the seat on a clean cloth cushion.

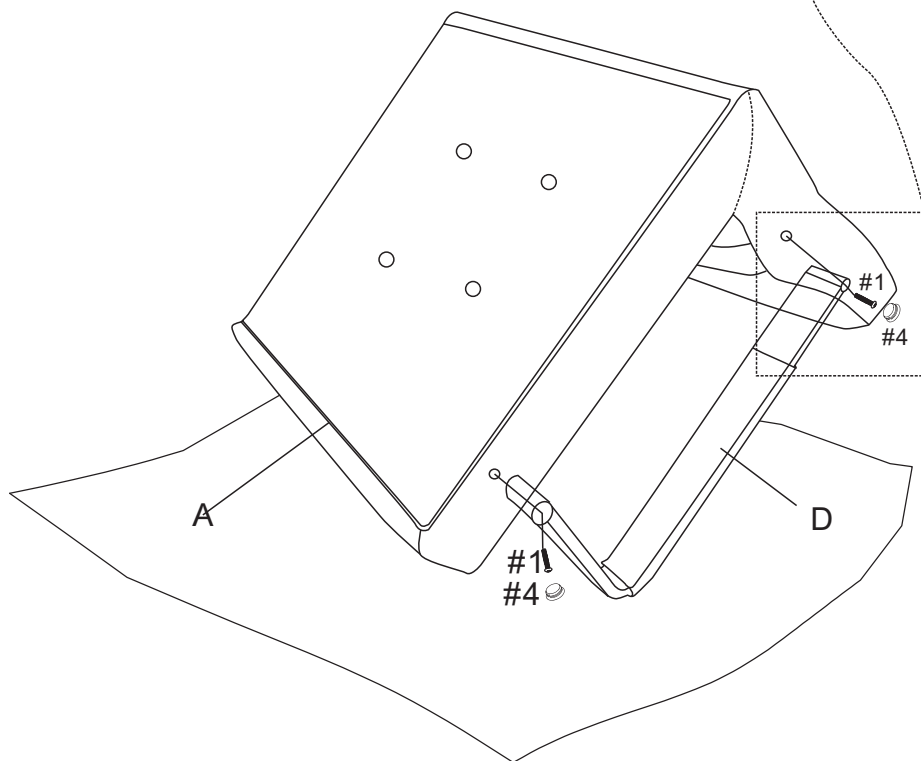
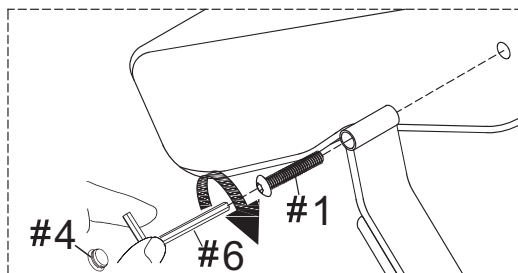





#1	x2	#6	x1	#4	x2
M8*55mm		M8			

Step 5

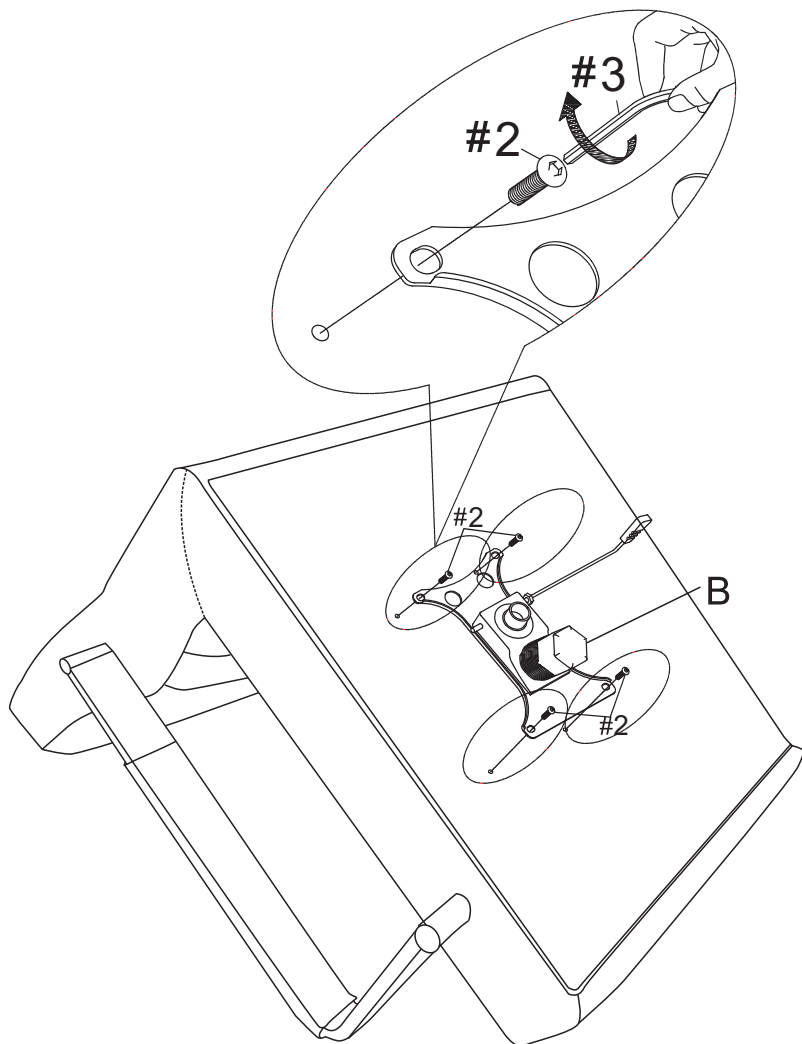




Please place the seat on a clean cloth cushion.



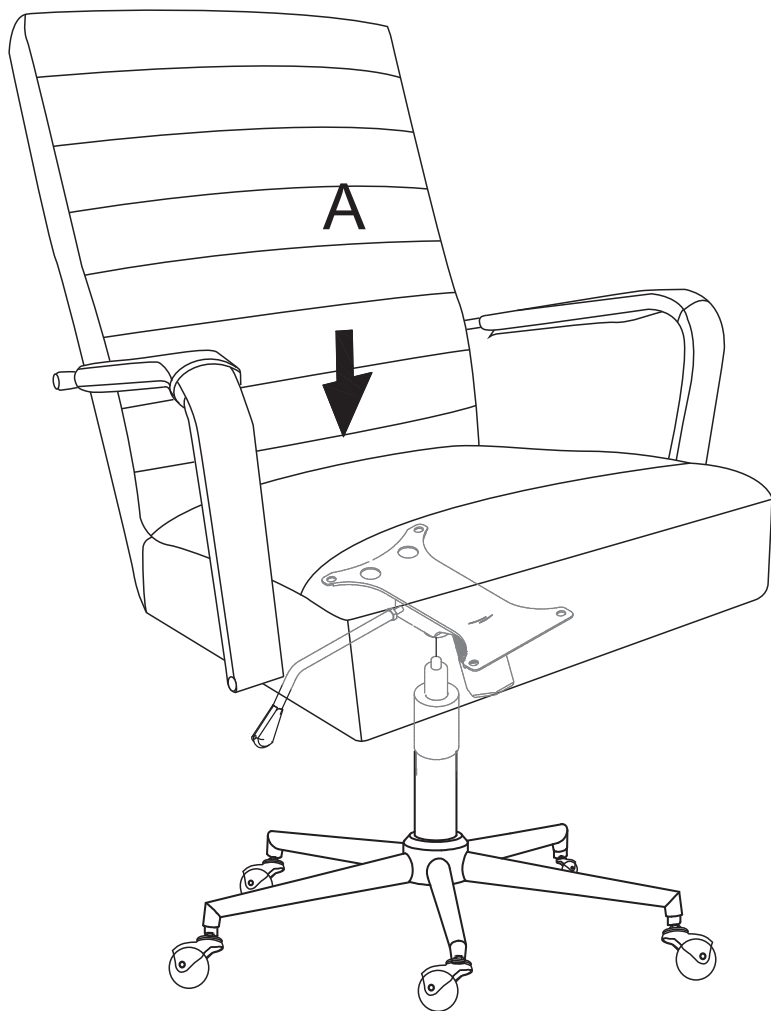
#1	x2	#6	x1	#4	x2
					
M8*55mm		M8			

Step 6



#2	x4	#3	x1
			
M6*20mm		M6	

Step 7



Step 8



Assembly completed.

Step 9

Adjust the chair height by pulling lifting lever



adjust forward and backward tilt angle of chair by rotating rotary knob under chair

WARRANTY

- We strive to offer quality products, and we also try our best to satisfy every customer who orders from us with products or services as needed.
- We provide 30 days warranty starting from the time you receive the item. Each customer must provide a record of their orders such as the order number, or item receipt for any items that are out of the warranty period you may also still receive.
- Replacement parts by purchasing them from our company if they are available.
- For return, please check the return policy with the retailer or market place you bought from.

**Appreciate your purchasing from us.
Pop up your life by our furniture piece!**