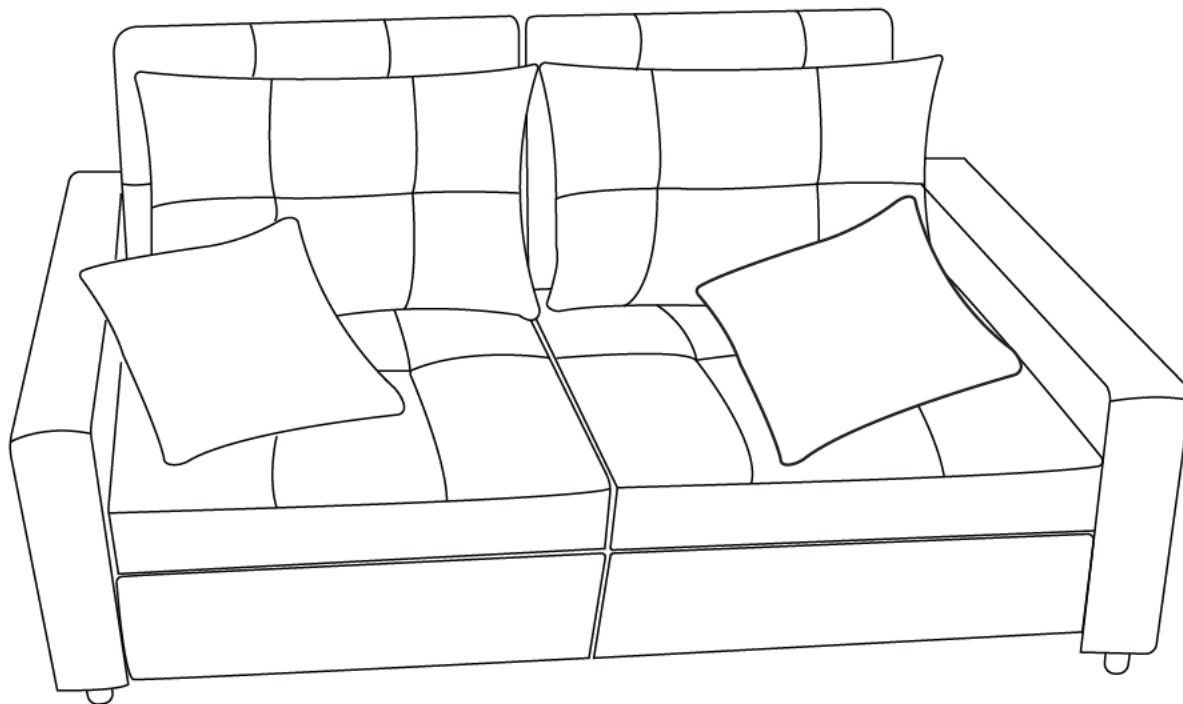


Sleeper Loveseat Sofa Bed Assembly Instructions



Attention

1. Please check the manual carefully and make sure you have received all the parts in 5 boxes as listed below.
2. Assemble step by step. Feel free to contact us if you have missing parts or questions during assembly.
3. We recommend to assemble the sofa bed with 2 people.
4. The sofa cover can be removed. A dust collector can help if it is dirty.

Before install it, please see these attentions

FAQ

Q1:Missing pillows and srcews.

A2:The pillows and screws are placed in the sofa base - Part [A].

Please open the cloth of the these parts and take out all the accessories.

If you still can't find these accessories, please check the parts list and tell us the numbers of missing parts.We will offer good solutions for you asap.

Q2:The frame base and screw can't be installed or the hole position is not, which makes it impossible to install or difficult to install.

A4:Please insert all screws into holes first, don't tighten them until they are all aligned. If you still can't assemble it, kindly send some pictures or video to us for help.

Q3:Unable to adjust the backrest.

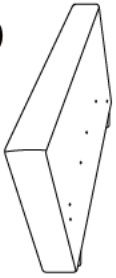





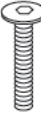



A2:This sofa bed has three adjustment levels of 105°, 143° and 180°.

When a clicking sound is heard, it means that a gear has been successfully adjusted. If it can't be adjusted, the hinge may be damaged. Please take a video and contact us via messages for help.

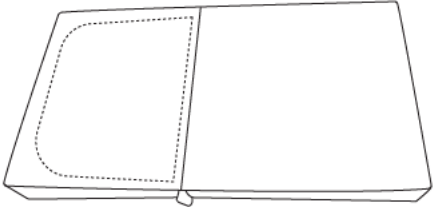







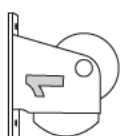

Q4:Some parts were damaged when arrived,such as Part E.

A3:Please send clear photos of damaged parts to us as attachment via message, we will check and offer the best solution for you asap, pls don't worry.

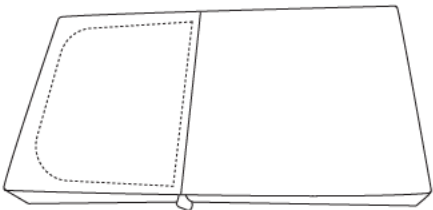
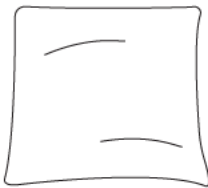
Package A Parts List

| | | | | |
|--|--|--|--|--|
| D  Left Arm 1PC | D-1  Right Arm 1PC | L  Washer 12PCS | V  Connector 1PC | T  Wrench 1PC |
| U  M8*90mm 1PCS | O  M8*70mm 4PCS | P  M8*35mm 1PCS | R  M6*10mm 4PCS | Q  Screw Nut 6PCS |

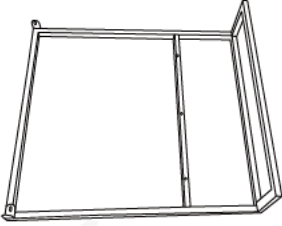
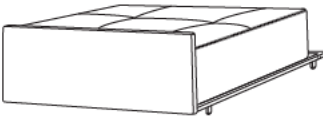
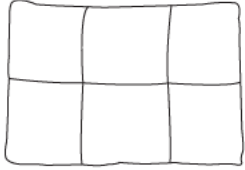
Package B Parts List

| | | | |
|--|--|--|--|
| C  Seat left 1PC | Pack in C | | |
| | A  Pillow 1PC | G  Wooden leg 4PCS | H  Hex key (M8) 1PC |
| | I  Hex key (M6) 1PC | J  M8*50mm 20PCS | K  M6*15mm 12PCS |
| | L  Washer 20PCS | M  Caster 4PCS | N  Caster 4PCS |

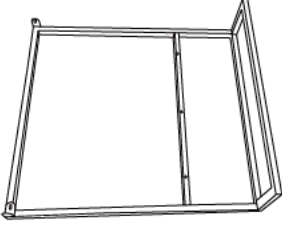
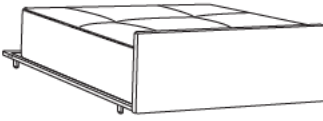
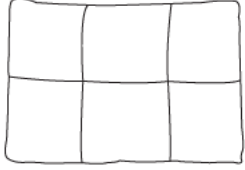
Package C Parts List

| | |
|---|---|
| C-1  Seat right 1PC | A  Pillow 1PC |
|---|---|

Package D Parts List

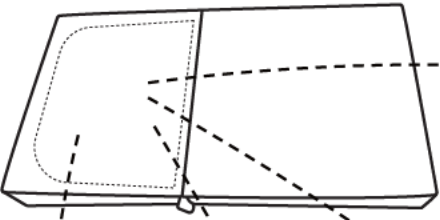

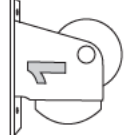



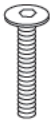

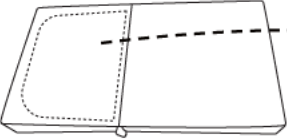

| | | |
|---|---|---|
| <p>E</p>  <p>Frame base 1PC</p> | <p>F</p>  <p>Rear bed part left 1PC</p> | <p>B</p>  <p>Back cushion 1PC</p> |
|---|---|---|

Package E Parts List

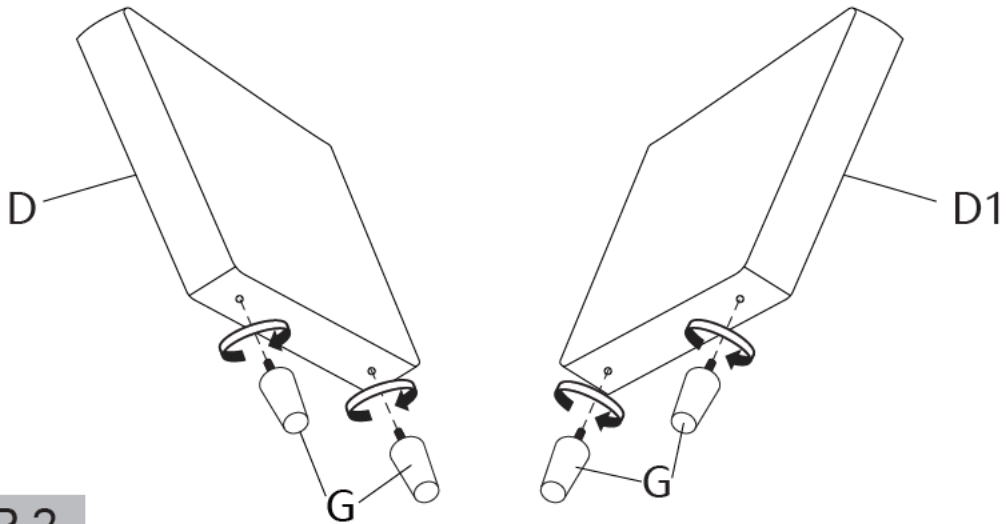
| | | |
|---|--|---|
| <p>E</p>  <p>Frame base 1PC</p> | <p>F-1</p>  <p>Rear bed part right 1PC</p> | <p>B</p>  <p>Back cushion 1PC</p> |
|---|--|---|

Attention

Open 5 boxes when you receive all of them. Check if all the parts are received.
 Some accessories are placed in the Part [C-C1].
 Please open the cloth of the these parts and take out all accessories.

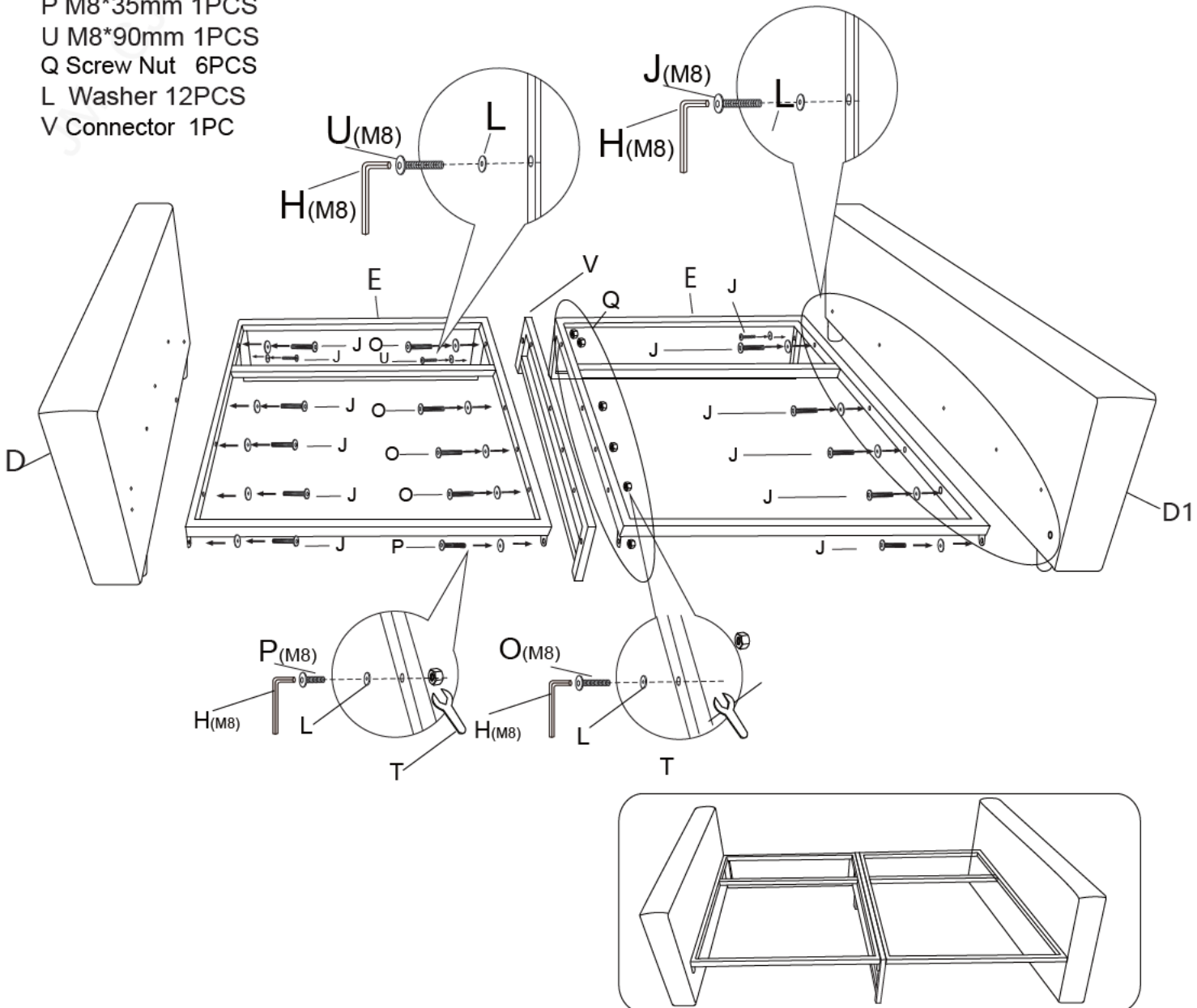
| | | | | |
|---|---|---|--|--|
| <p>C</p>  <p>Seat Left</p> | | <p>A</p>  <p>Pillow 1PC</p> | <p>M</p>  <p>Caster 4PCS</p> | |
| <p>L</p>  <p>Washer 20PCS</p> | <p>H</p>  <p>Hex key (M8) 1PC</p> | <p>I</p>  <p>Hex key (M6) 1PC</p> | <p>J</p>  <p>M8*50mm 20PCS</p> | <p>K</p>  <p>M6*15mm 12PCS</p> |
| <p>C-1</p>  <p>Seat right</p> | | <p>A</p>  <p>Pillow 1PC</p> | | |

STEP 1



STEP 2

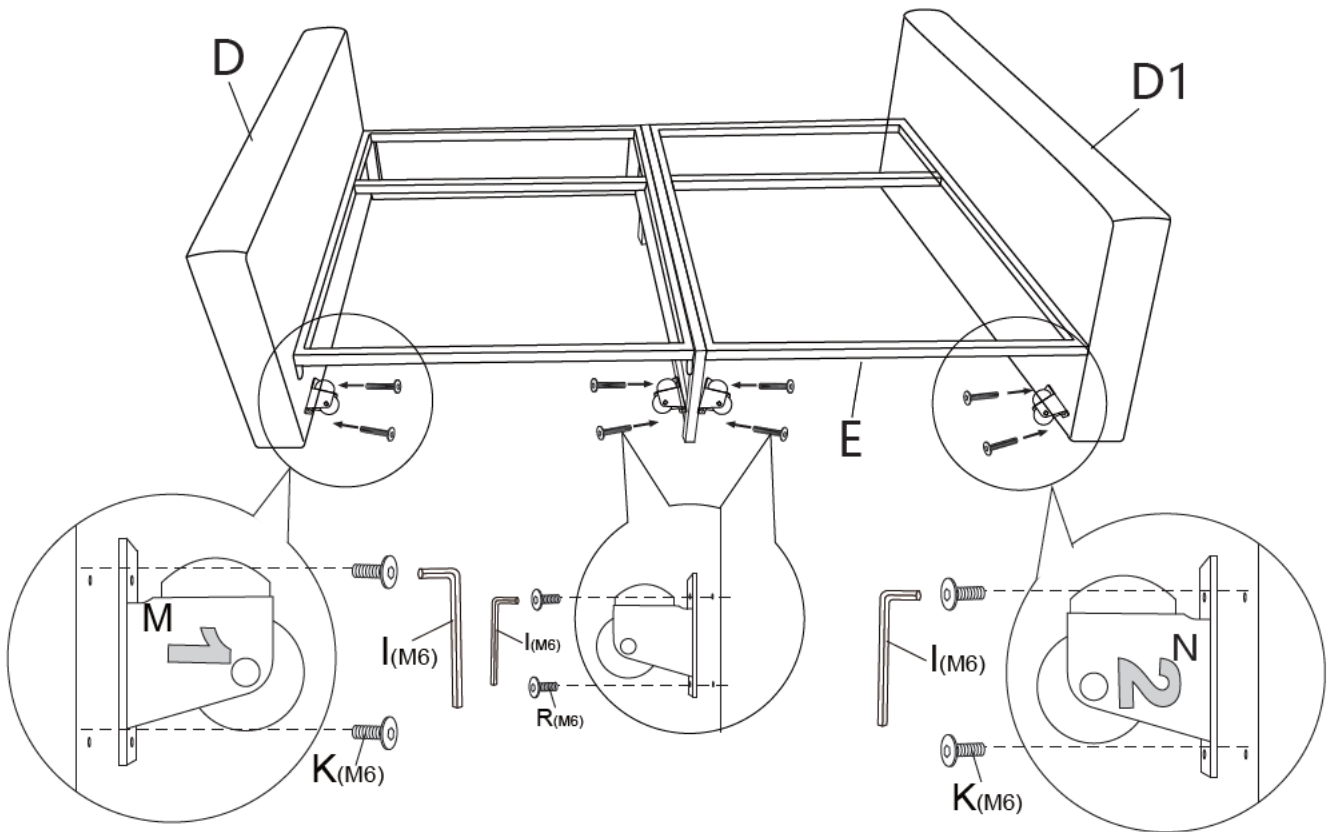
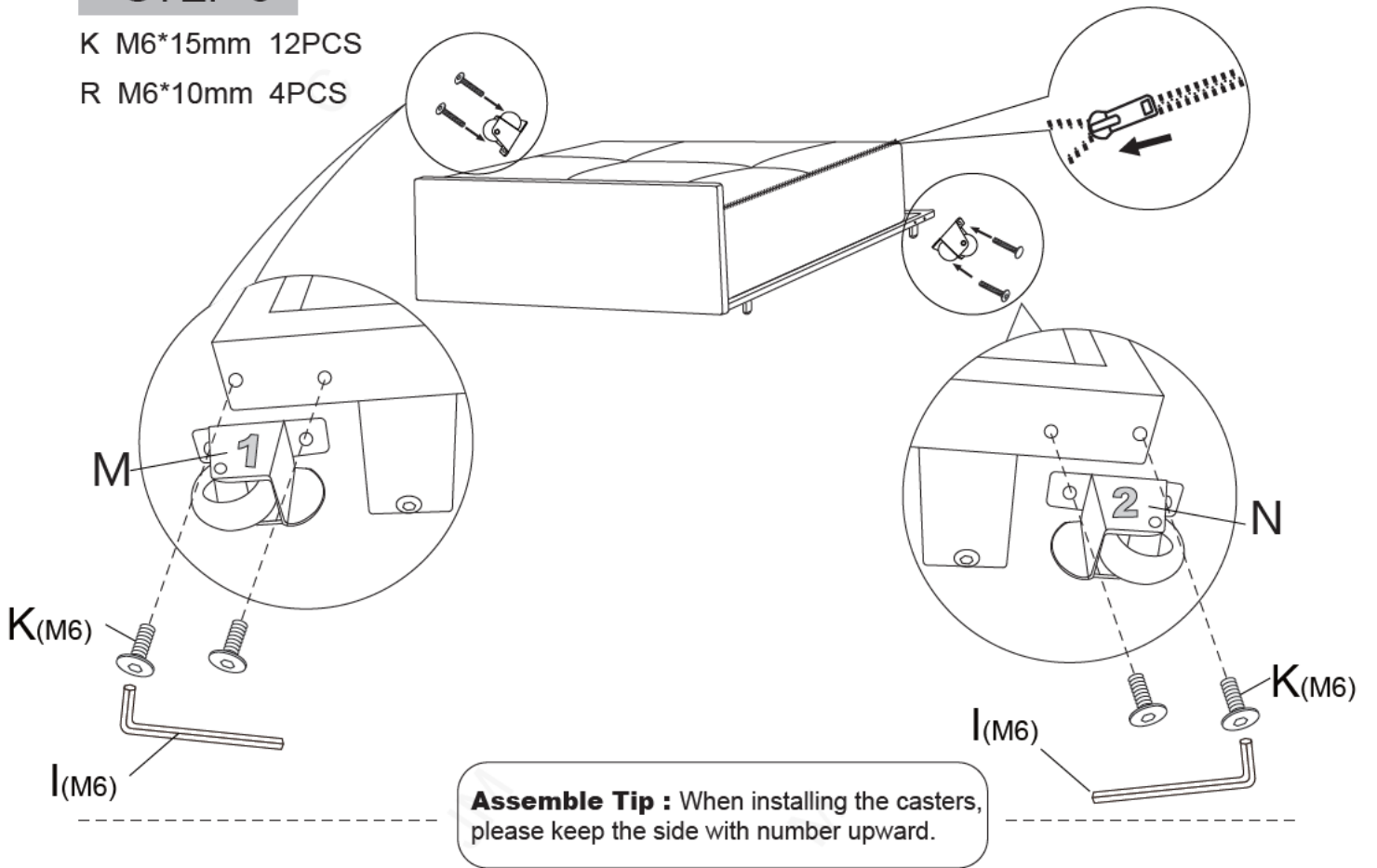
- J M8*50mm 12PCS
- O M8*70mm 4PCS
- P M8*35mm 1PCS
- U M8*90mm 1PCS
- Q Screw Nut 6PCS
- L Washer 12PCS
- V Connector 1PC



STEP 3

K M6*15mm 12PCS

R M6*10mm 4PCS



STEP 4

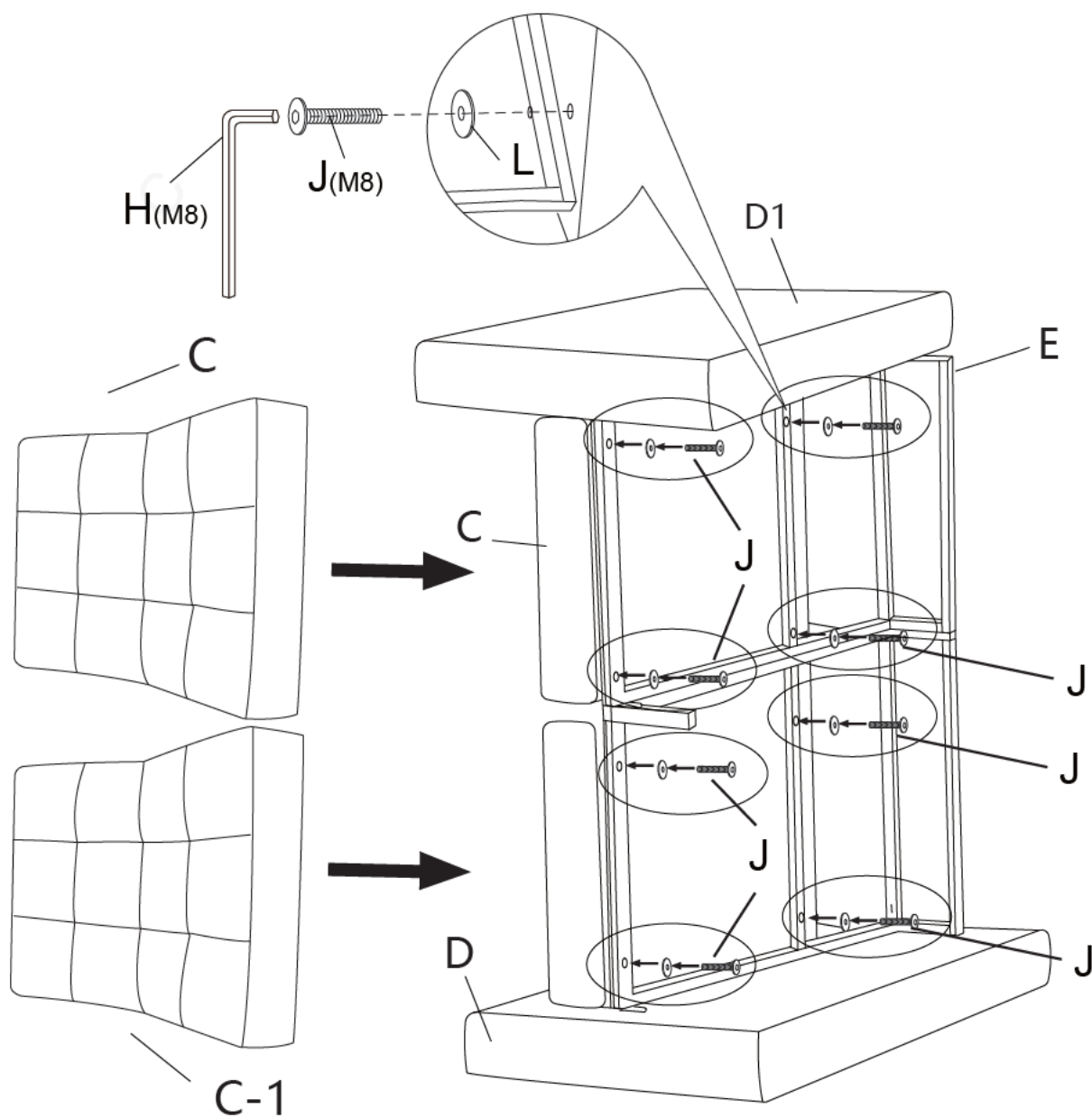
J M8*50mm 8PCS

L Washer 8PCS

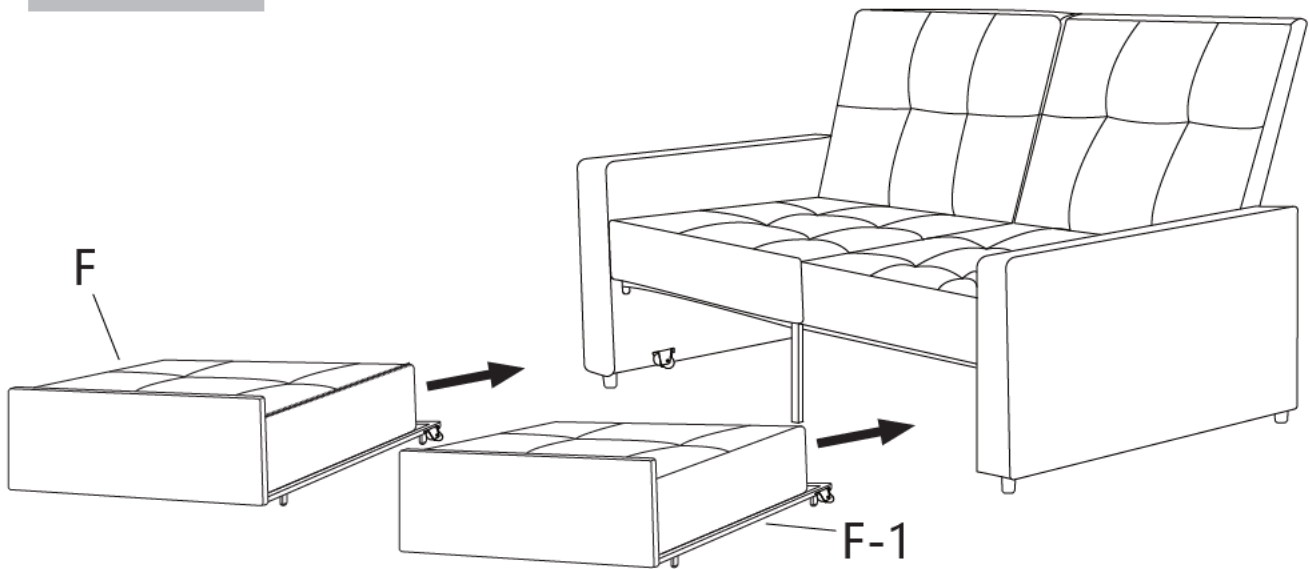
Attention

Place part D and D-1 as the picture shows.

Then put the part C and C-1 on them, and tighten the screws as shown.



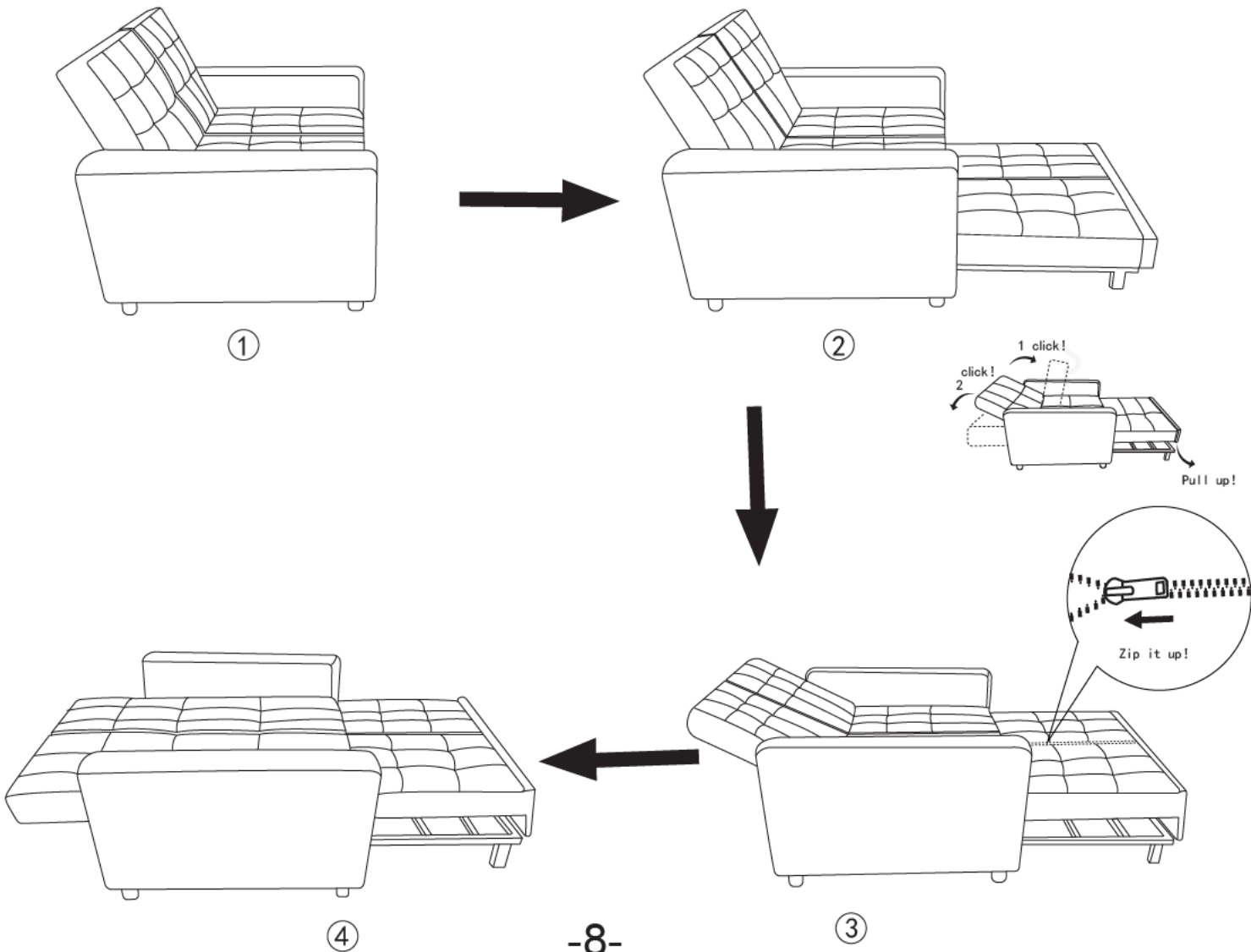
STEP 5



STEP 6

Multifunctional Sofa Bed with Convertible Positions

1. When you want to convert the sofa to bed, pull out the lower part, take the loop tie to move the rear bed part up until it is in horizontal level with the seat part.
2. Push the back part twice to lie it down.



3. On the contrary, when you want to convert the bed to sofa, just push the back part twice to up position.

4 Pull up the loop tie on rear part to make it back to lower position. Push back it and then it will become a sofa.

