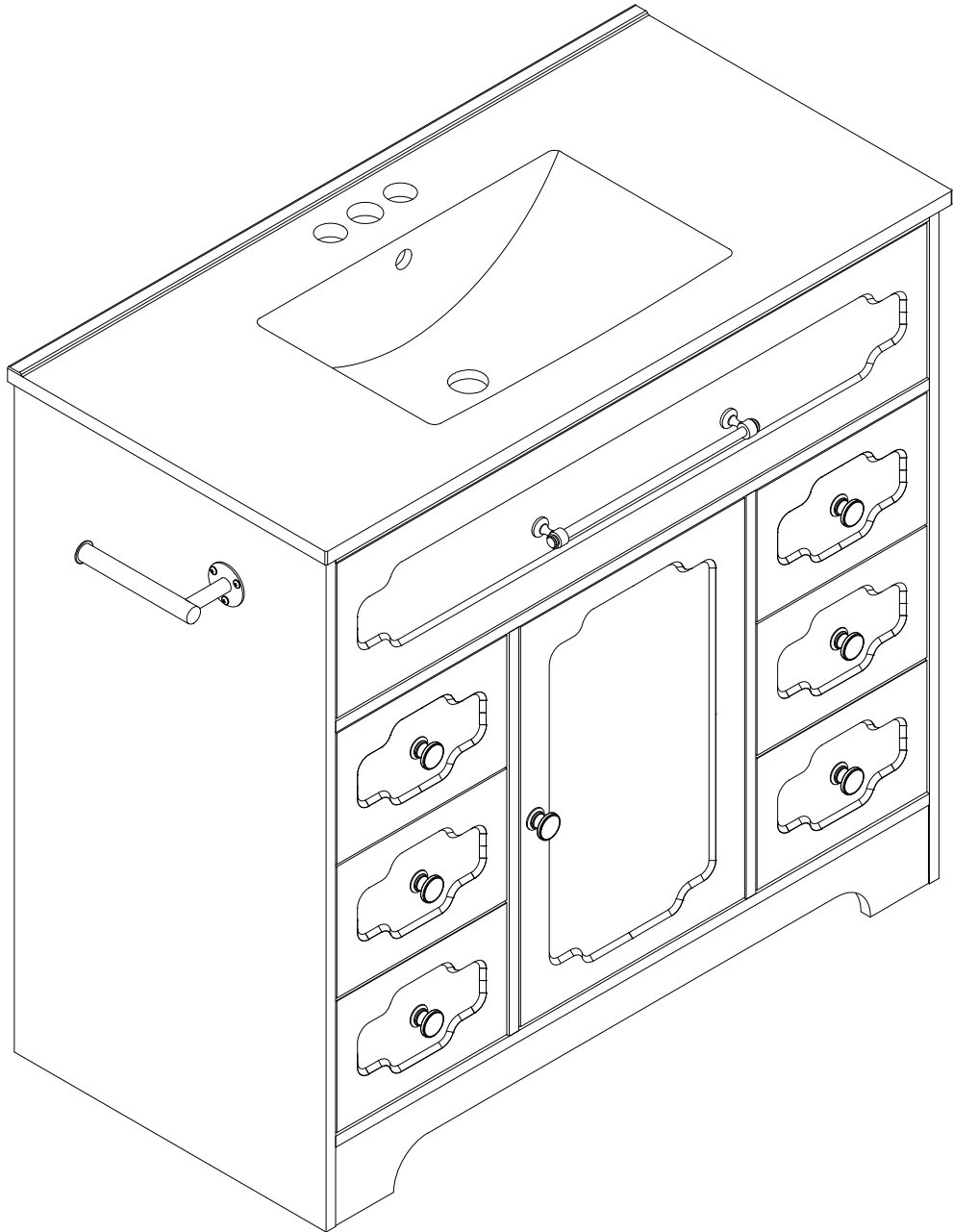
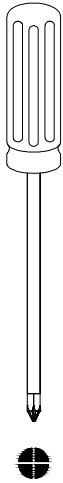


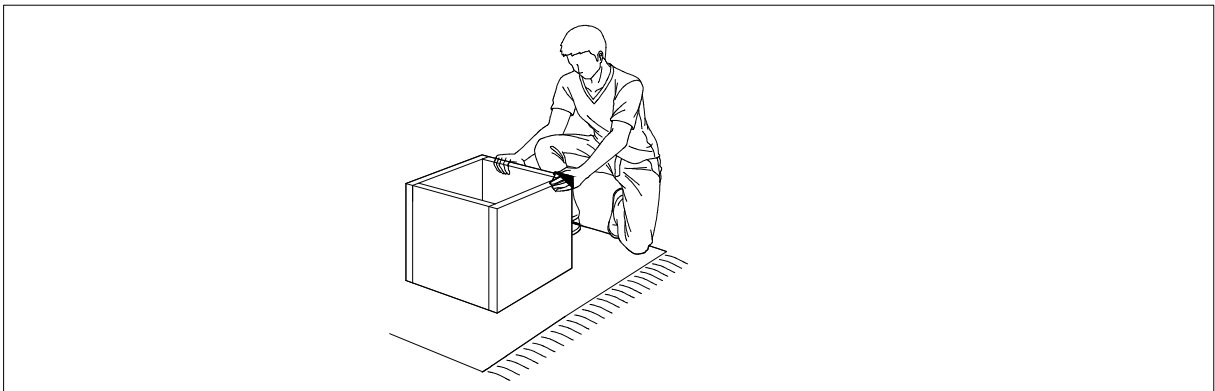
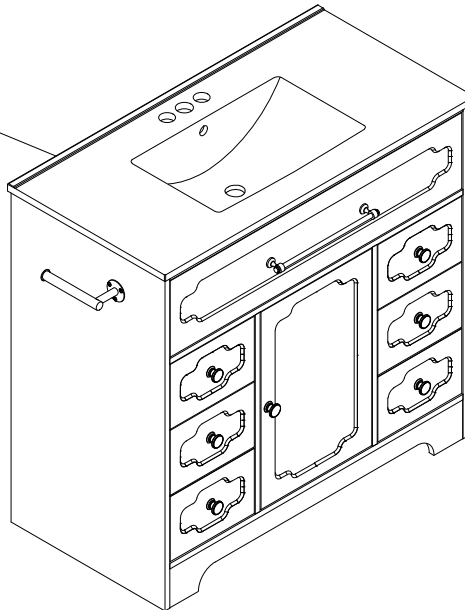
Owner Manual



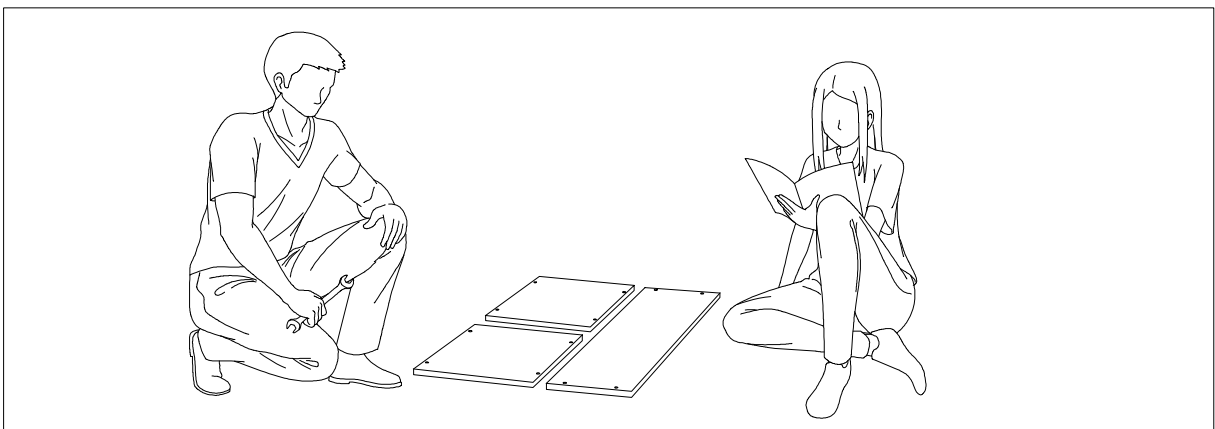
WARNING!



MAXIMUM LOAD
220 lb/100kg

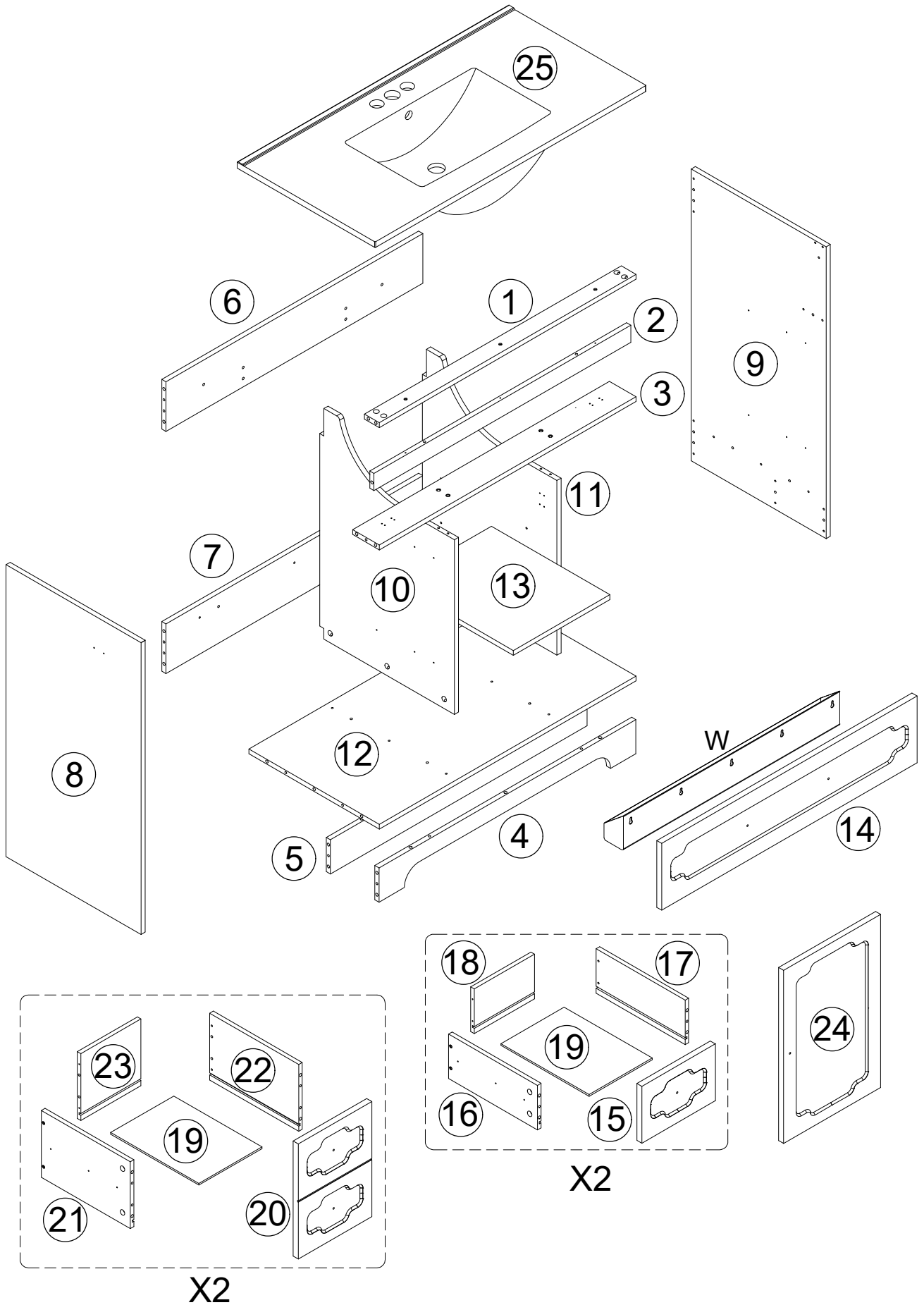


Assembly the furniture on empty carton, carpet, or rug to prevent scratches or damage.



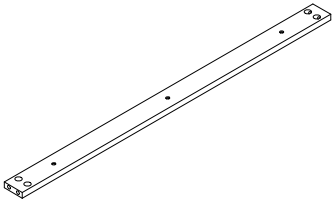
This furniture requires 2 people to assembly.
Make sure no parts are missing or damaged before assembly.

PACKAGE CONTENT

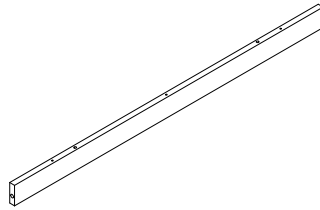


BOARD IDENTIFICATION

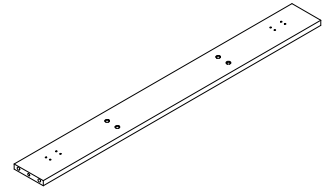
Not actual size



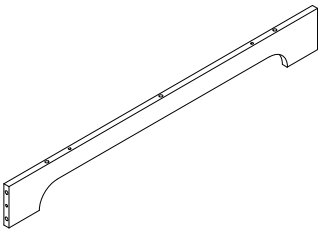
① X1



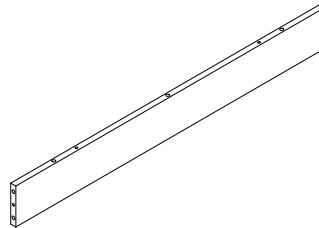
② X1



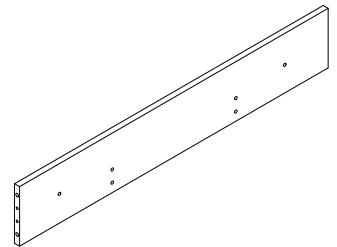
③ X1



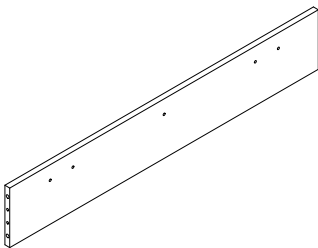
④ X1



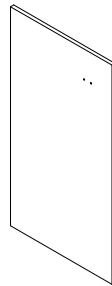
⑤ X1



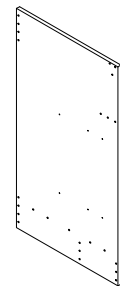
⑥ X1



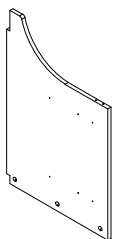
⑦ X1



⑧ X1



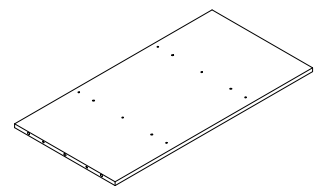
⑨ X1



⑩ X1



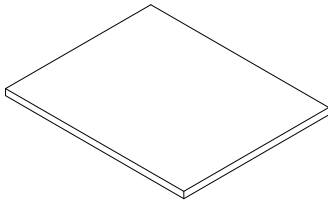
⑪ X1



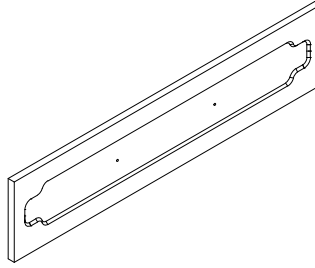
⑫ X1

BOARD IDENTIFICATION

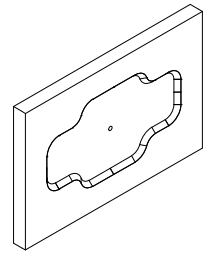
Not actual size



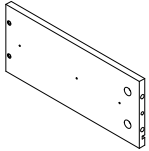
⑬X1



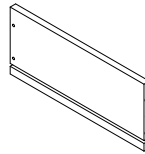
⑭X1



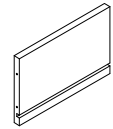
⑮X2



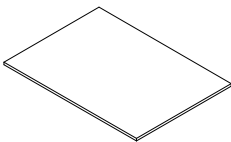
⑯X2



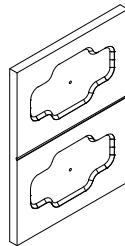
⑰X2



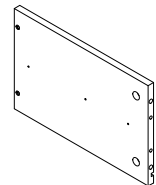
⑱X2



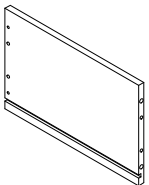
⑲X4



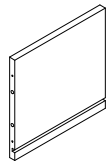
⑳X2



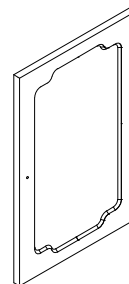
㉑X2



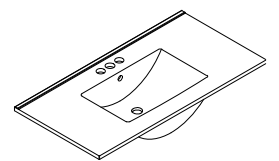
㉒X2



㉓X2



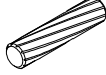
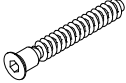
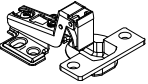
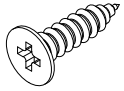
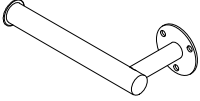
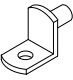


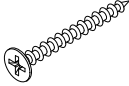

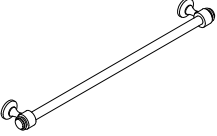
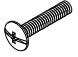
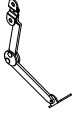
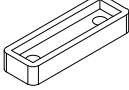
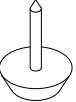
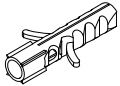
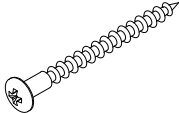
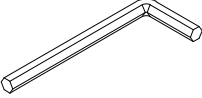


㉔X1

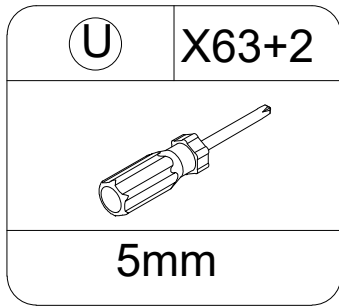


㉕X1

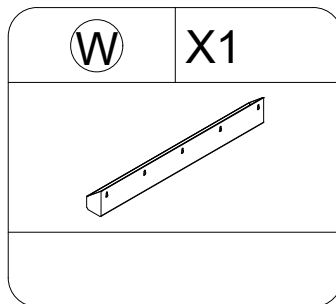
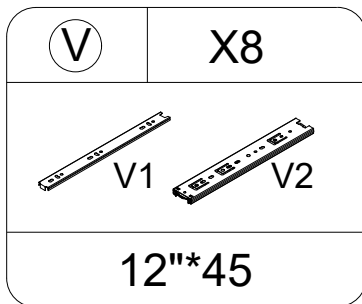
HARDWARE PART LIST

<p>A X63+2</p>  <p>Ø6x34</p>	<p>B X63+2</p>  <p>Ø15x9.5</p>	<p>C X50+2</p>  <p>Ø6x30</p>	<p>D X8</p>  <p>Ø6x40</p>
<p>E X4</p>  <p>Ø35</p>	<p>F X24+1</p>  <p>Ø8x15</p>	<p>G X1</p> 	<p>H X4</p> 
<p>I X24+1</p>  <p>Ø4x10</p>	<p>J X38+1</p>  <p>Ø4x12</p>	<p>K X19</p>  <p>Ø8x35</p>	<p>L X7</p> 
<p>M X1</p> 	<p>N X9</p>  <p>Ø5/32"x14</p>	<p>O X1</p> 	<p>P X1</p> 
<p>Q X4</p>  <p>Ø13x4</p>	<p>R X2</p>  <p>Ø8x40</p>	<p>S X2</p>  <p>Ø5x55</p>	<p>T X1</p>  <p>4mm</p>

HARDWARE PART LIST

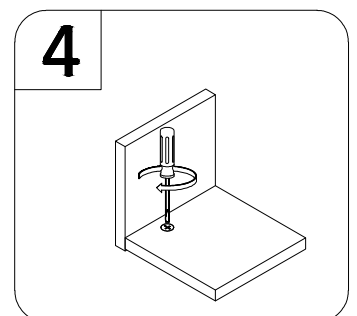
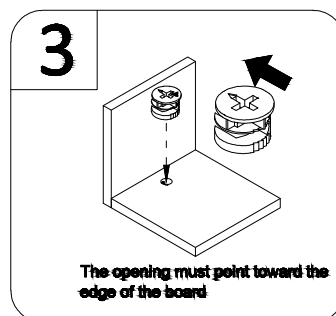
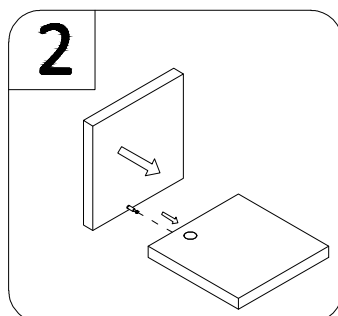
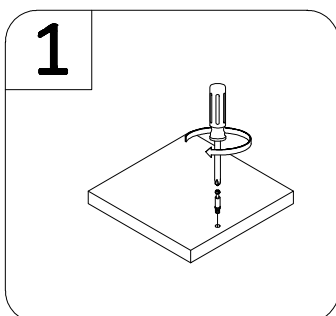


Accessories

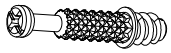


Cam Lock Fastening System

Insert the cam bolt into the hole first, then insert the cam lock and lock it.



STEP 1

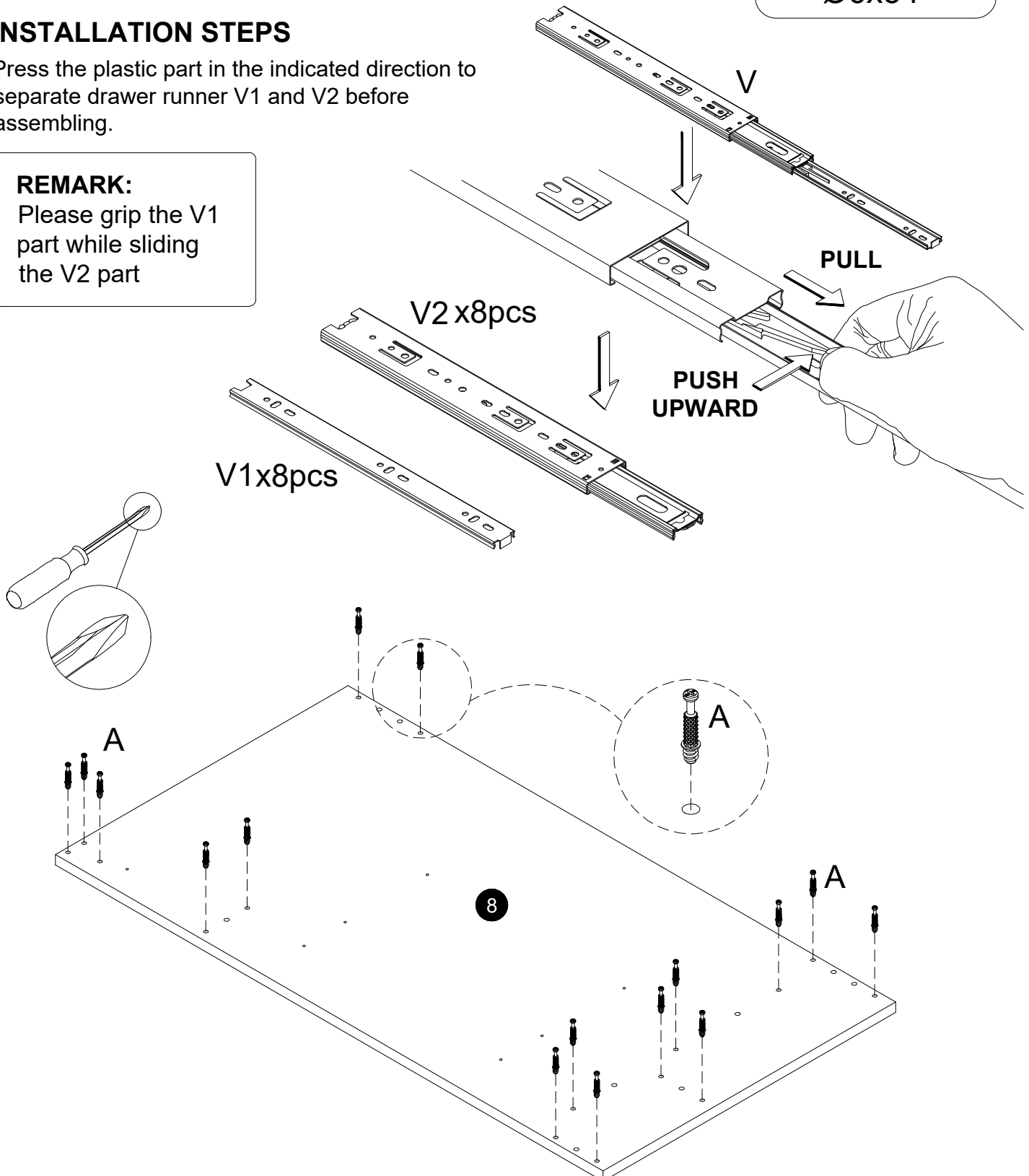
(A)	X16
	
Ø6x34	

INSTALLATION STEPS

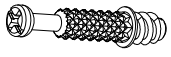
Press the plastic part in the indicated direction to separate drawer runner V1 and V2 before assembling.


REMARK:

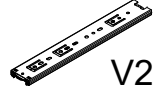
Please grip the V1 part while sliding the V2 part

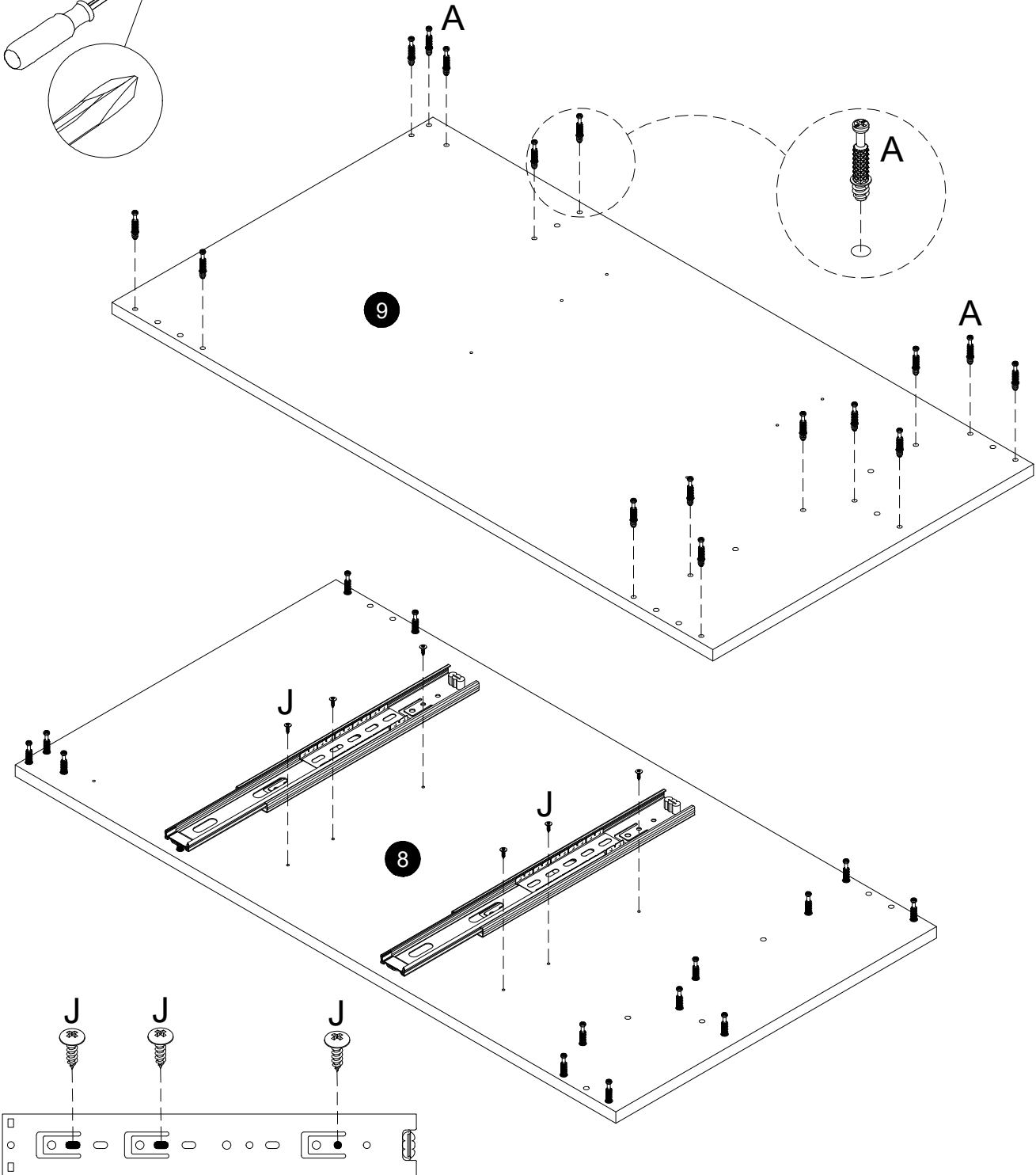
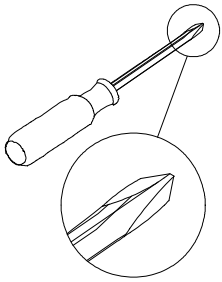


STEP 2

A	X16
	
$\text{Ø}6 \times 34$	


J	X6
	
$\text{Ø}4 \times 12$	


V	X2
	V2
12" * 45	

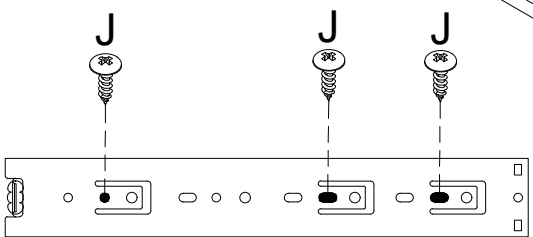
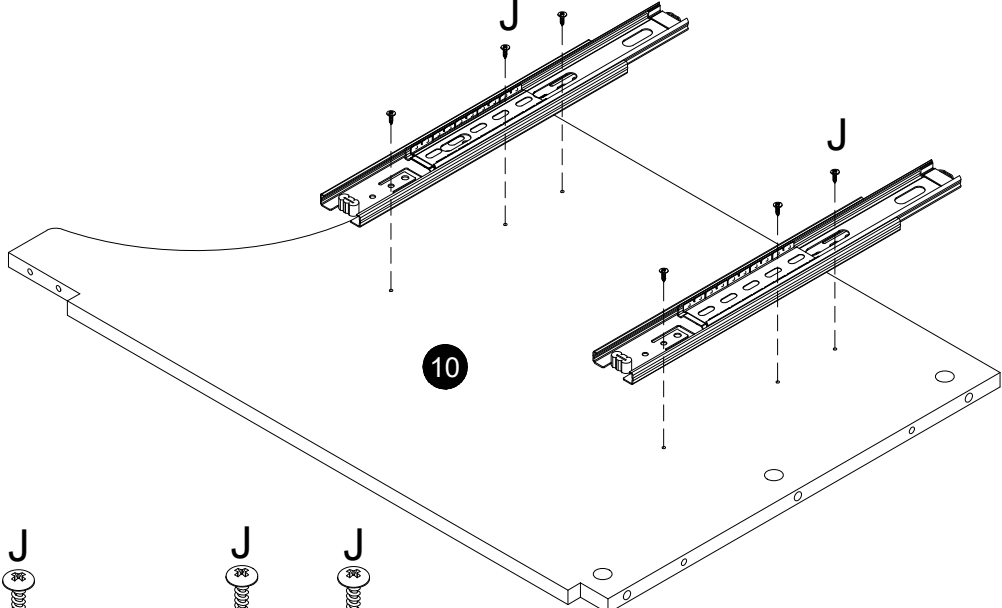
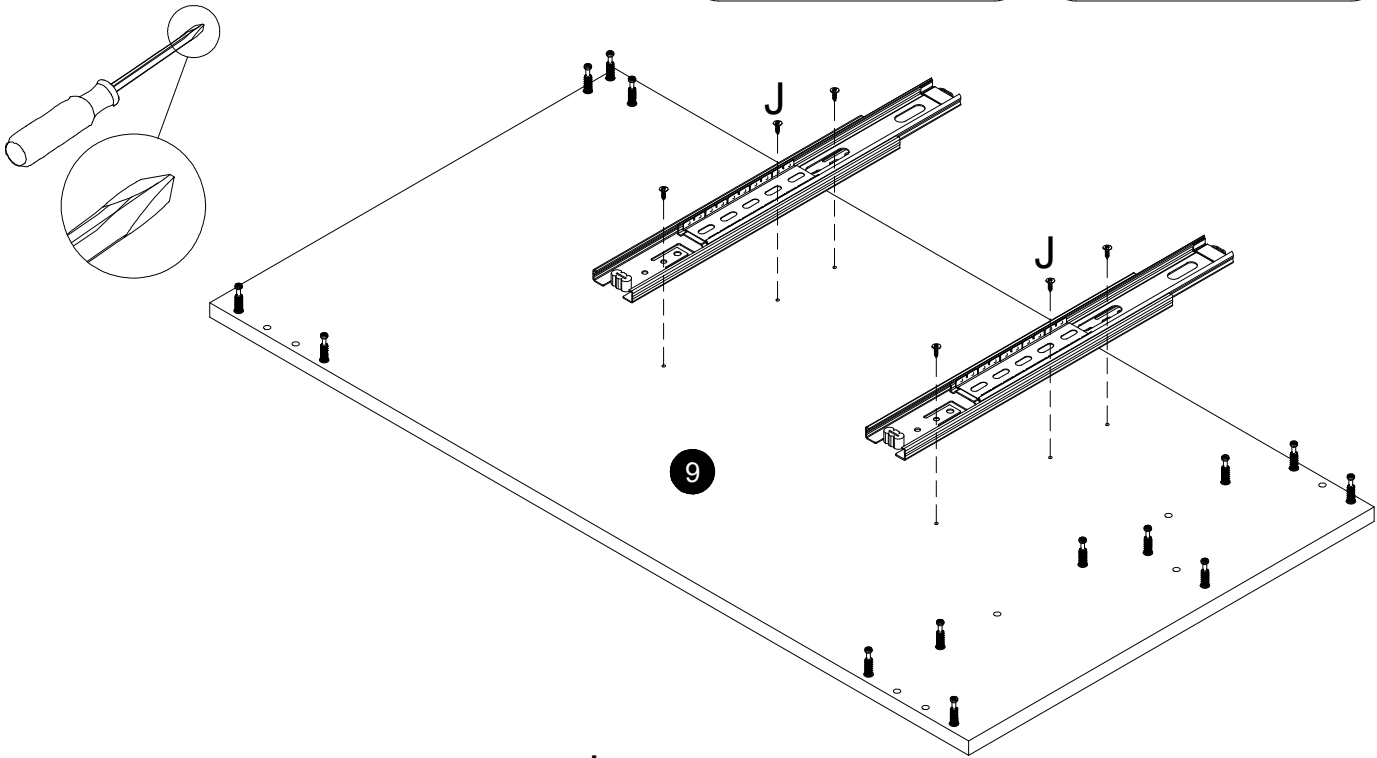


V2

STEP 3


Ⓝ J	X12
	
Ø4x12	


Ⓝ V	X4
	
12"*45	

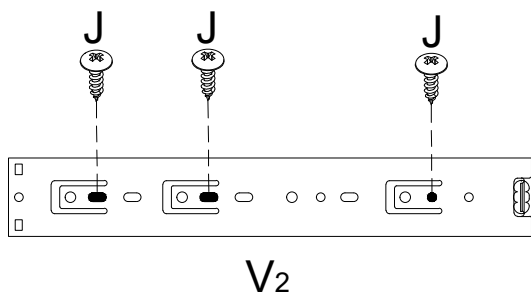
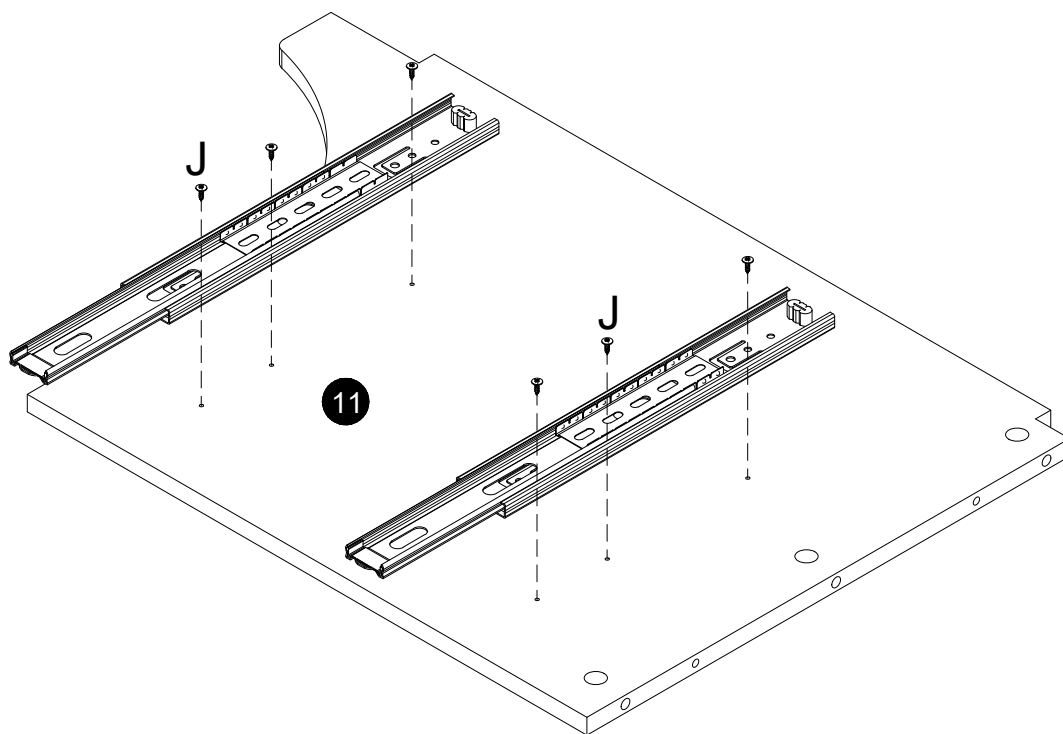


V2

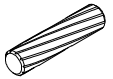
STEP 4


ⓐ	X6
	
Ø4x12	

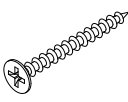
Ⓥ	X2
	V2
12"*45	

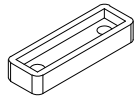


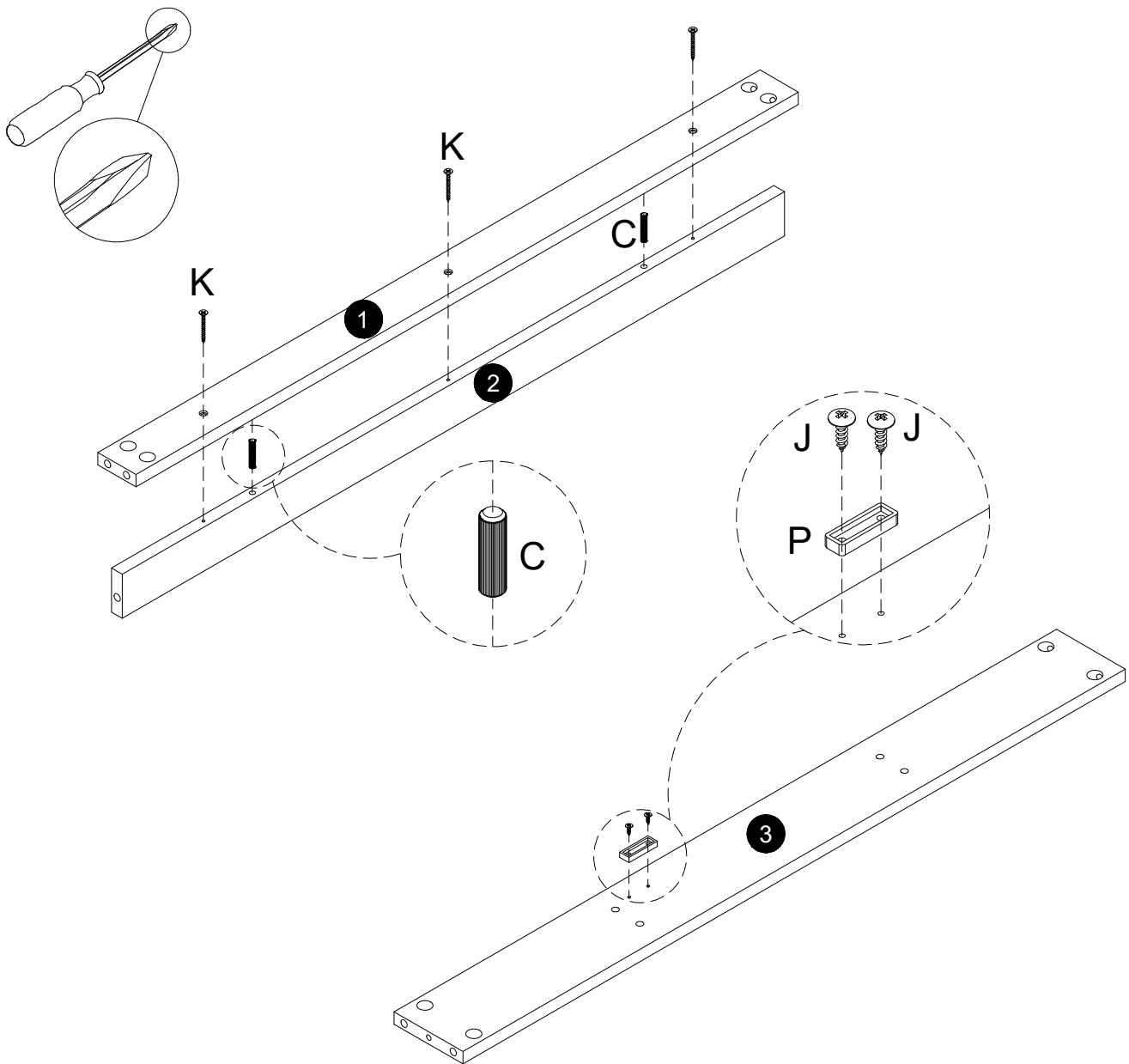
STEP 5

C	X2
	
Ø6x30	

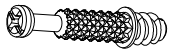
J	X2
	
Ø4x12	

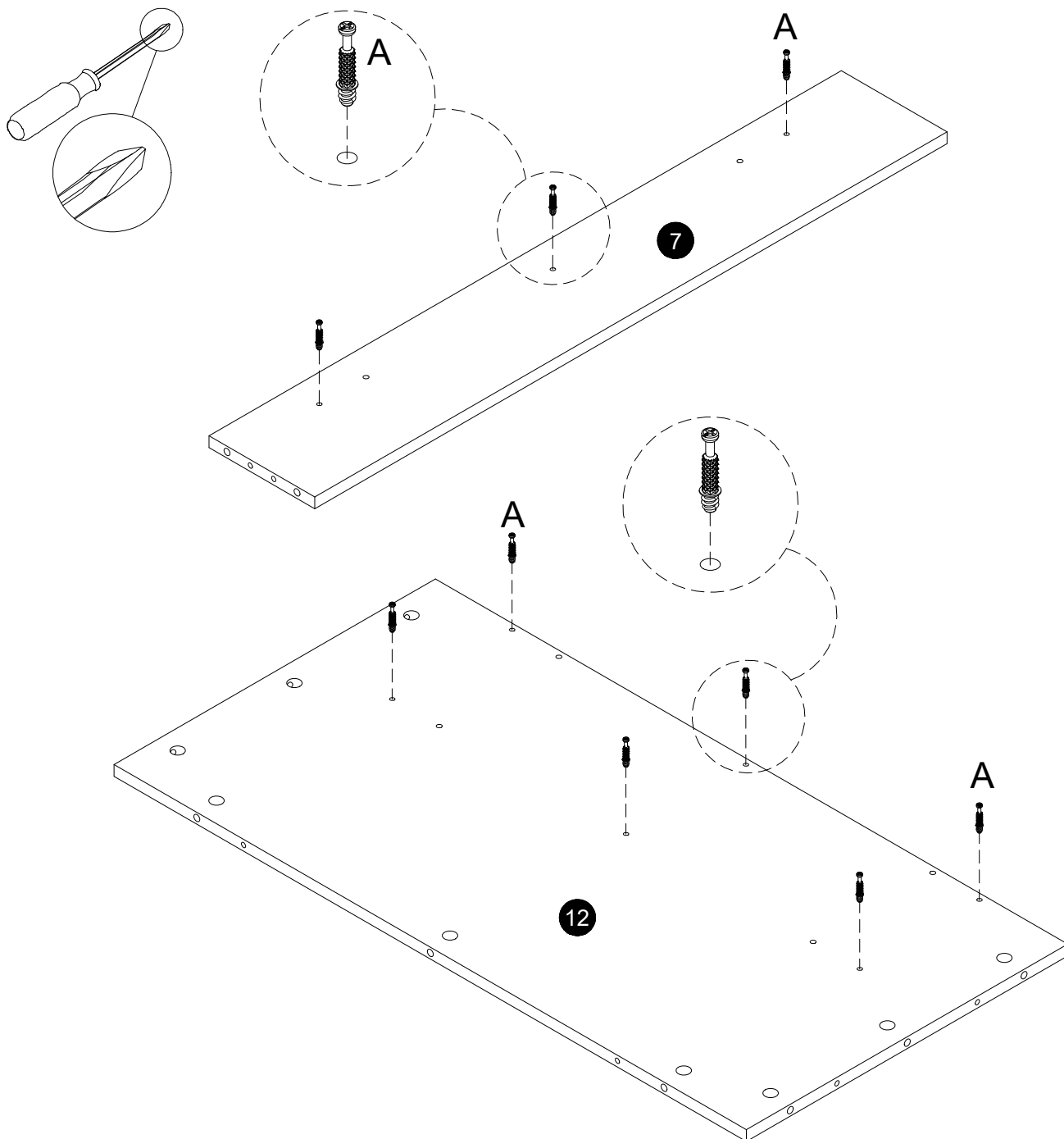
K	X3
	
Ø8x35	

P	X1
	

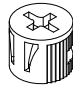


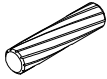
STEP 6

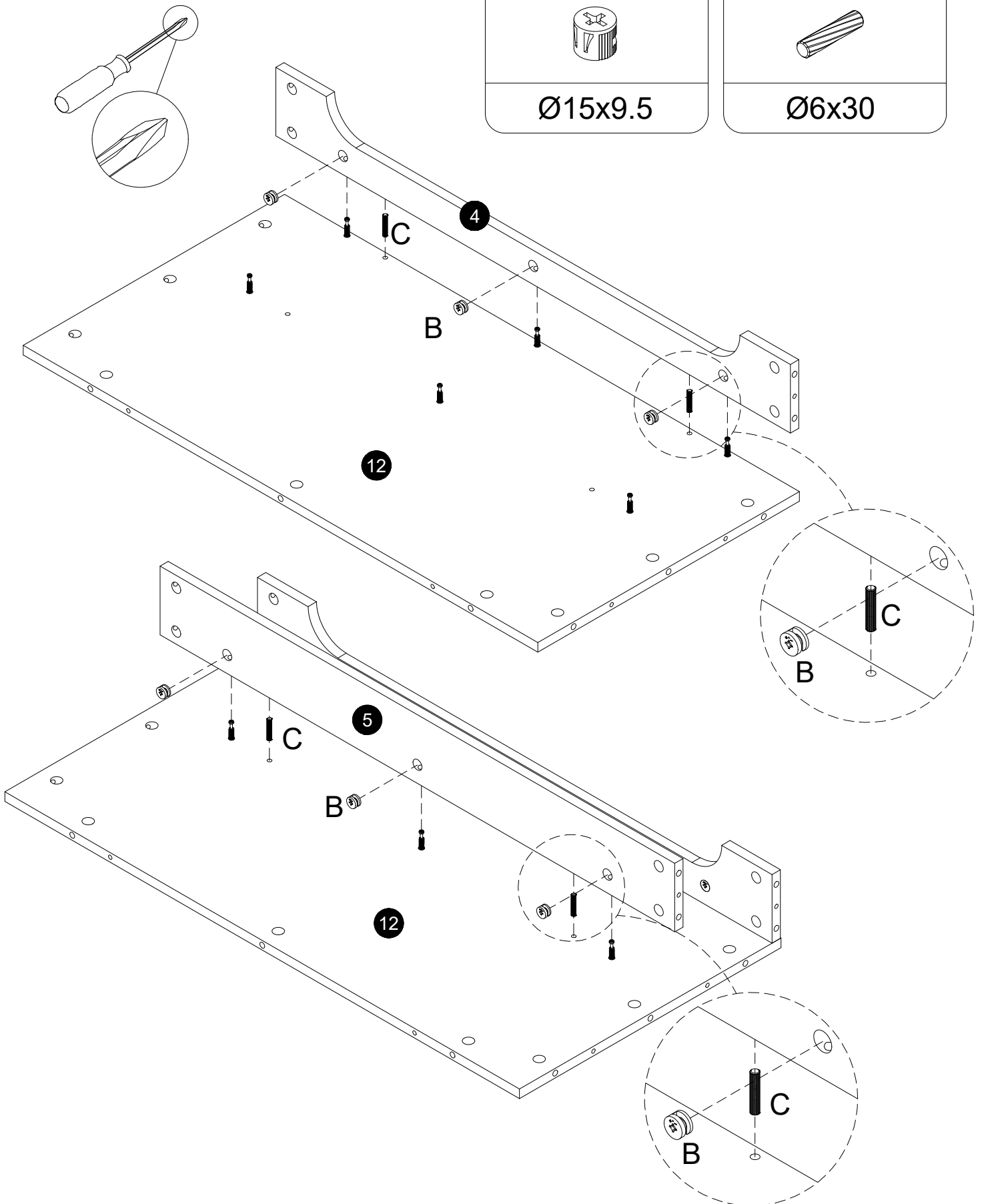
A	X9
	
Ø6x34	



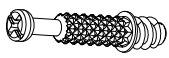
STEP 7

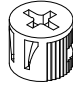
(B)	X6
	
Ø15x9.5	

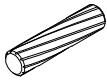
(C)	X4
	
Ø6x30	

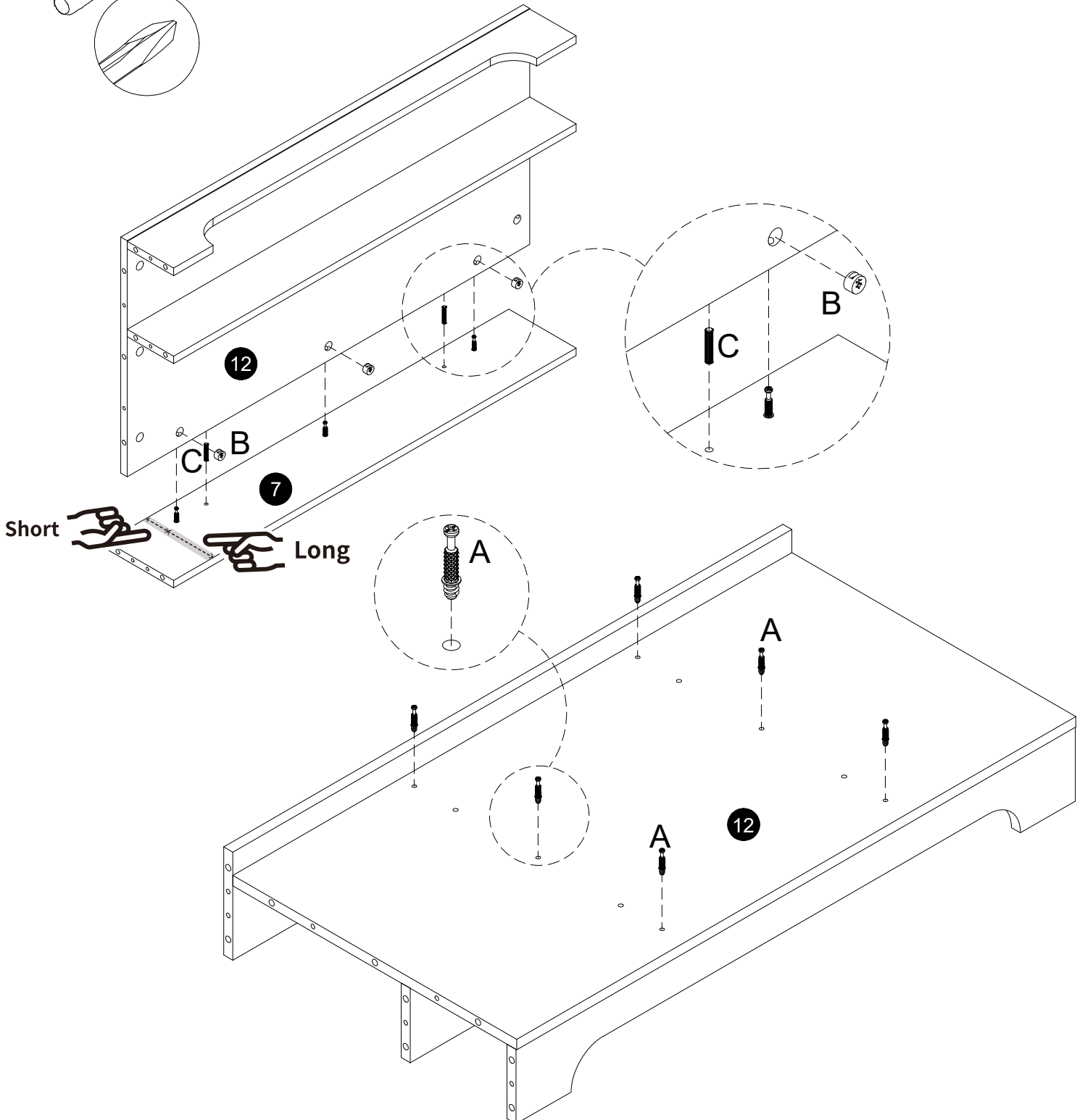
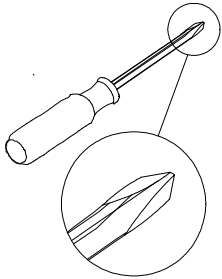


STEP 8


A	X6
	
Ø6x34	

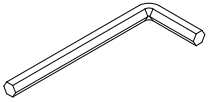
B	X3
	
Ø15x9.5	

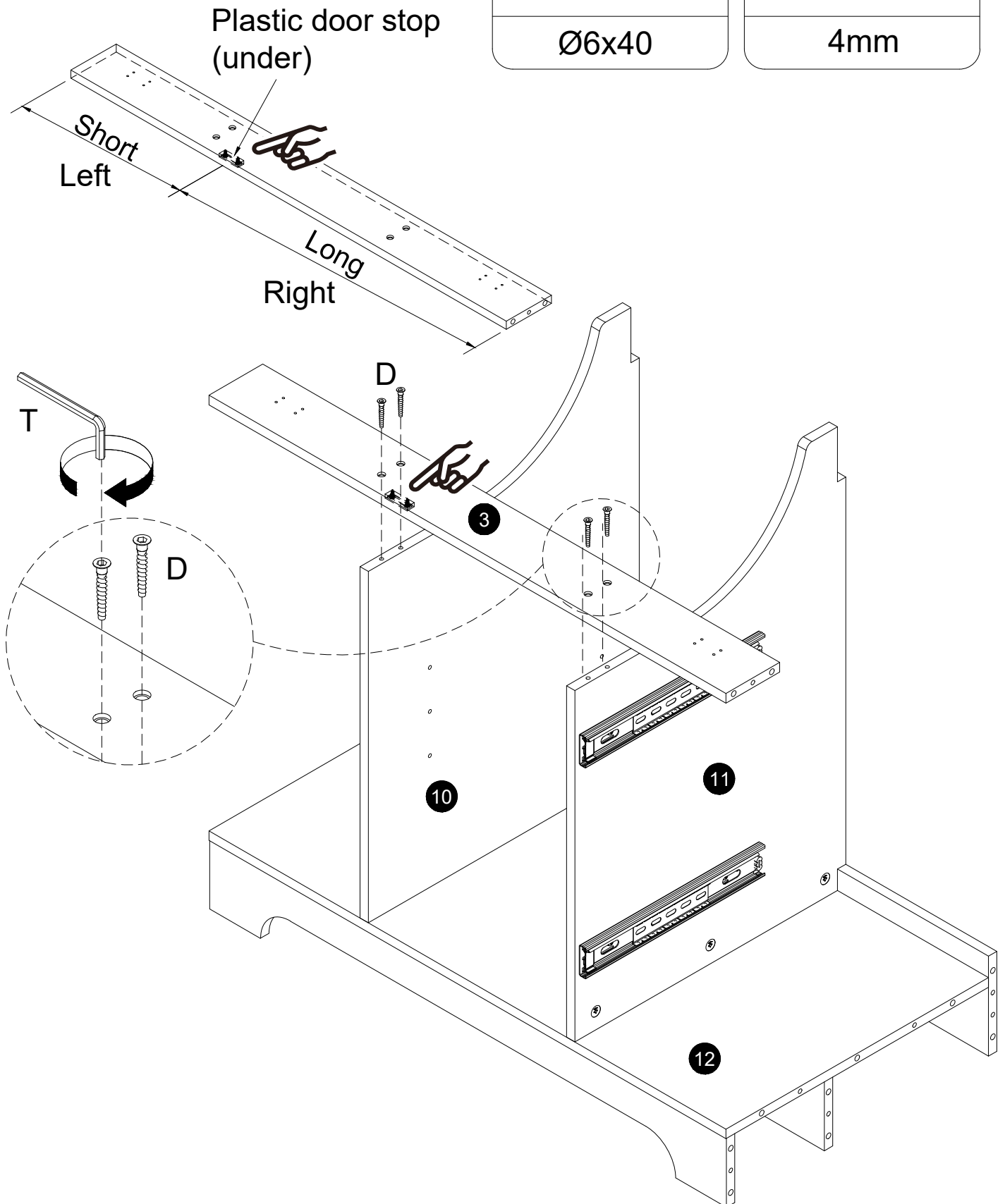
C	X2
	
Ø6x30	



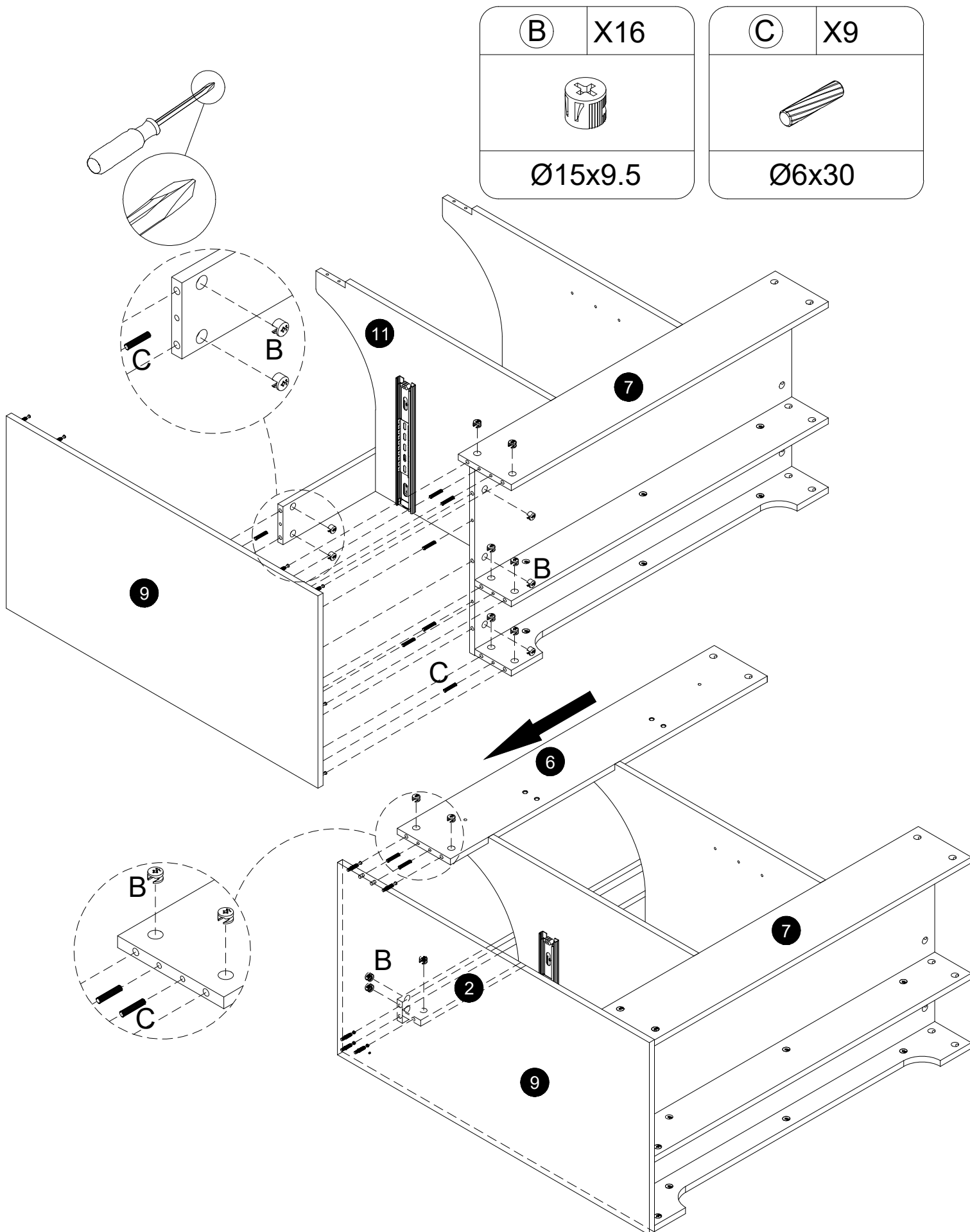
STEP 10

ⓓ	X4
	
Ø6x40	

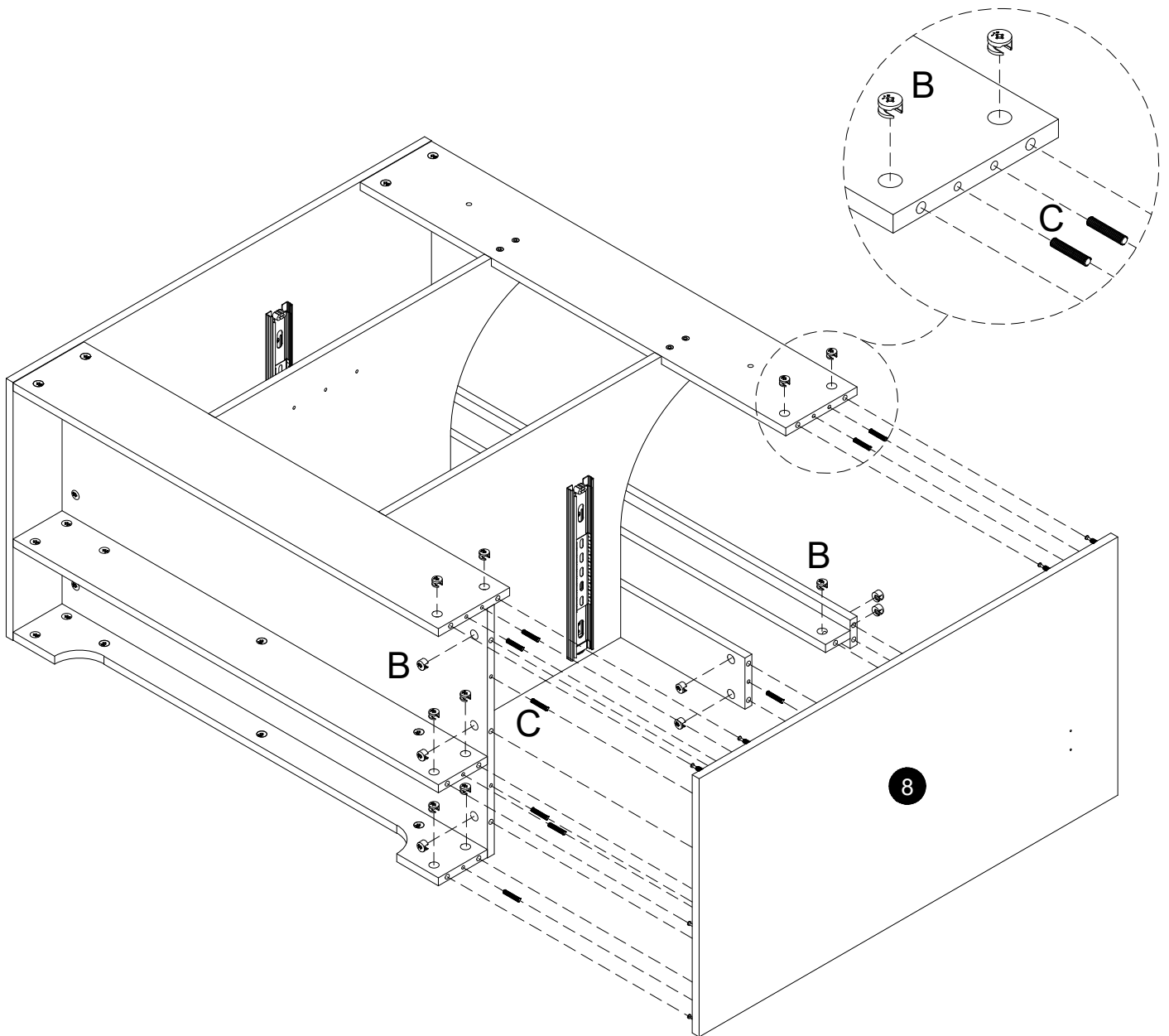
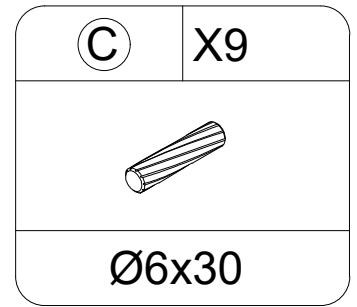
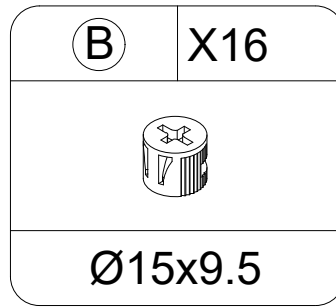
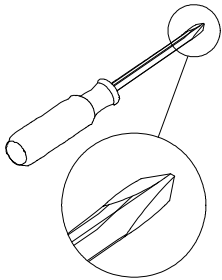
Ⓣ	X1
	
4mm	



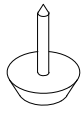
STEP 11

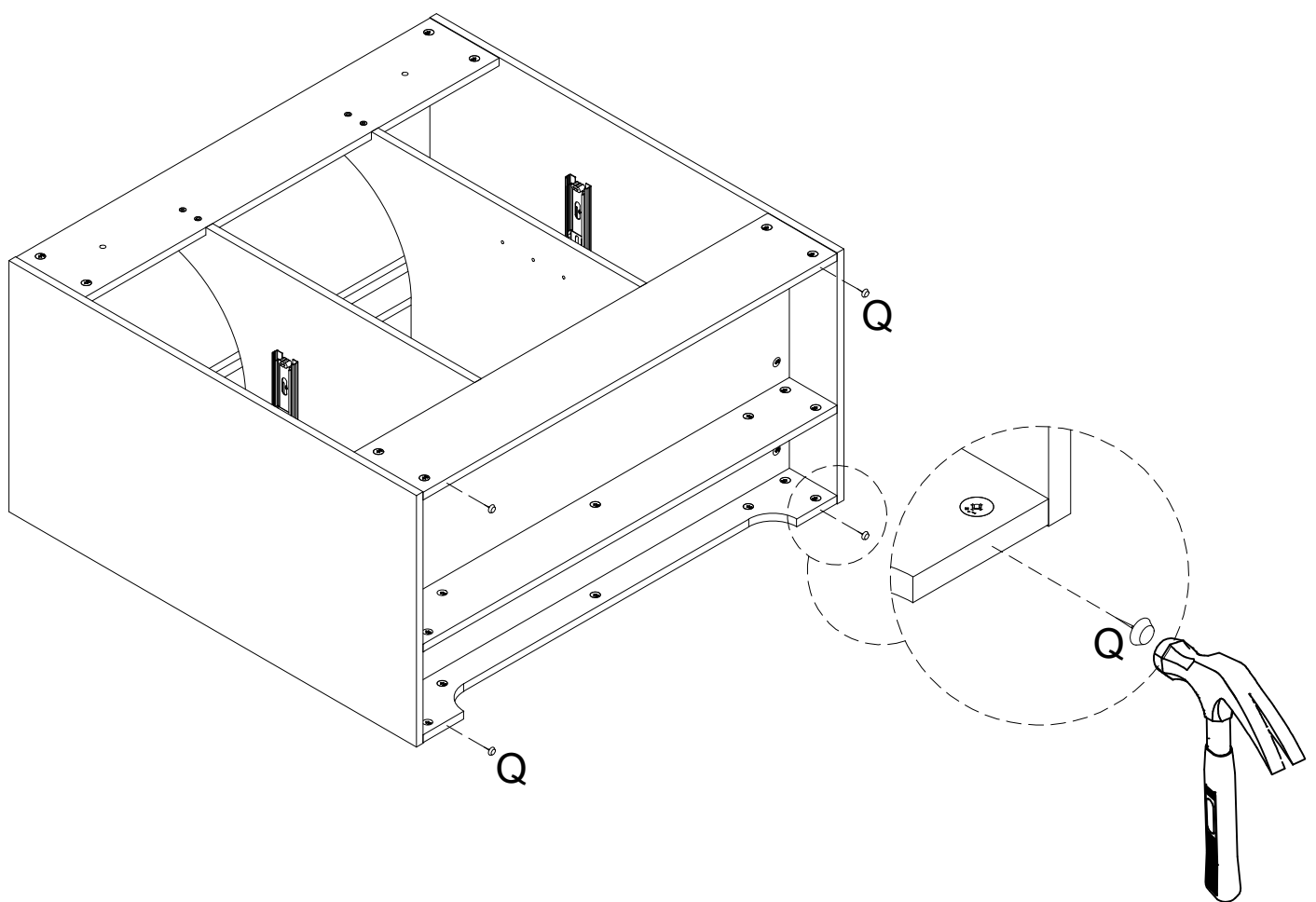


STEP 13

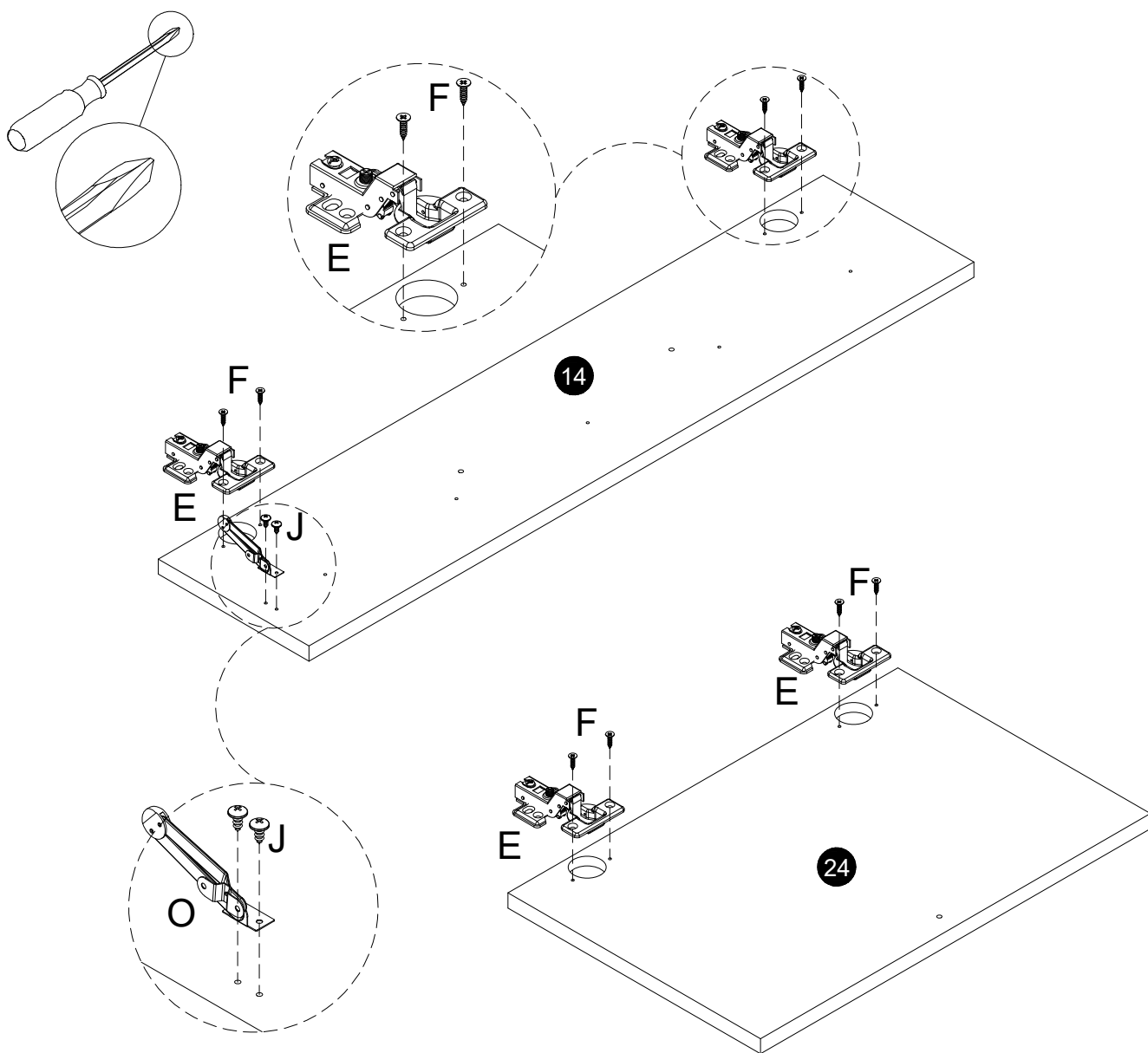
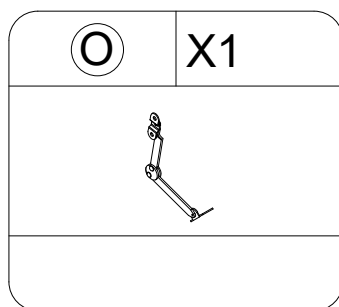
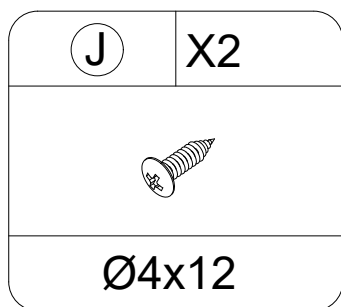
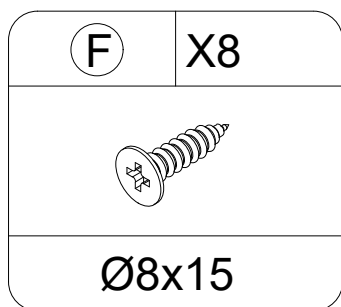
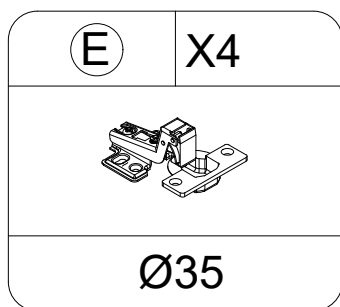


STEP 14

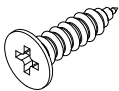
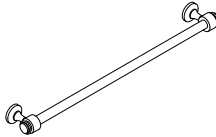

Q	X4
	
Ø13x4	

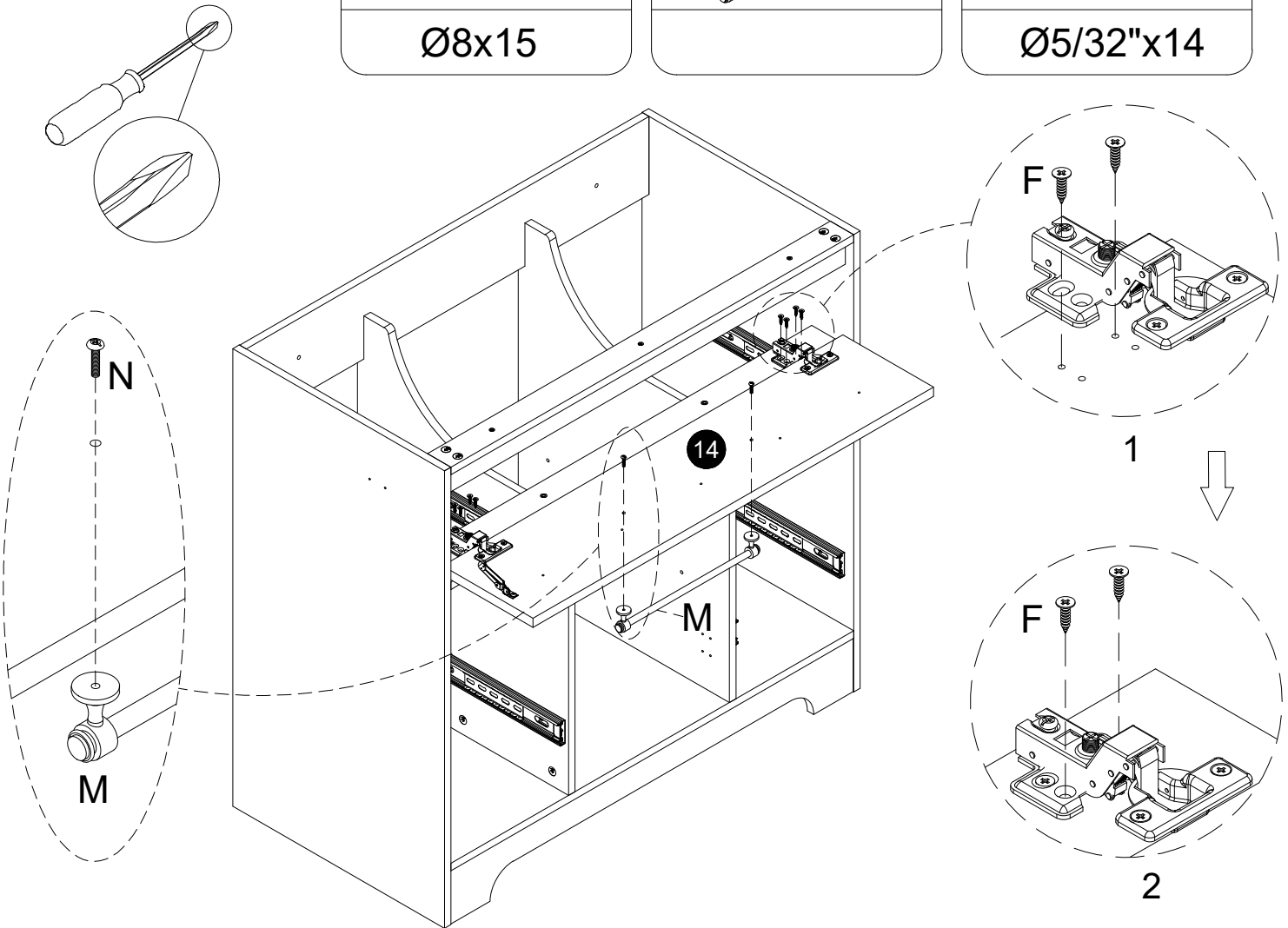


STEP 15

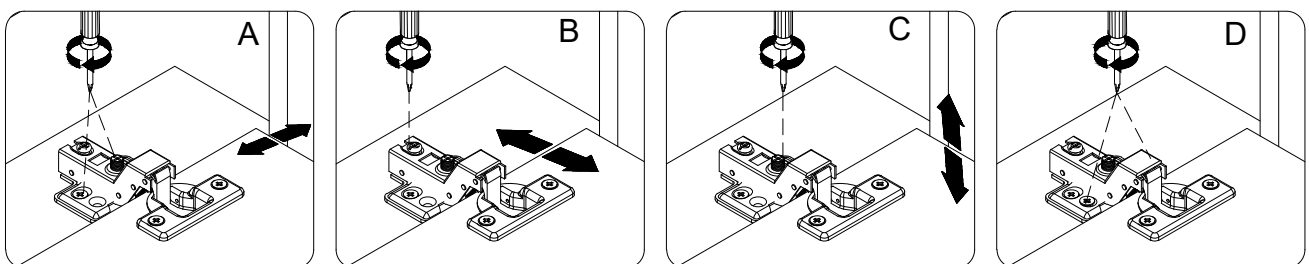


STEP 16

(F)	X8	(M)	X1	(N)	X2
					
Ø8x15				Ø5/32"x14	

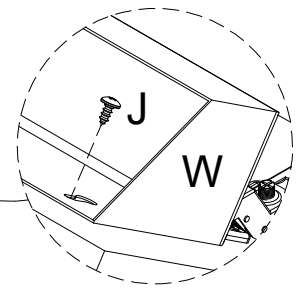
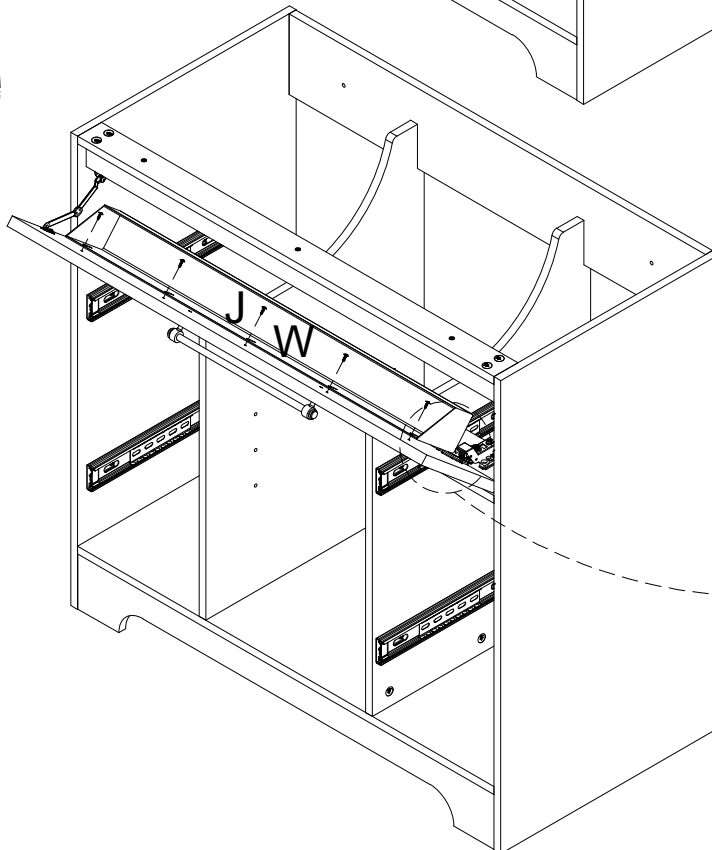
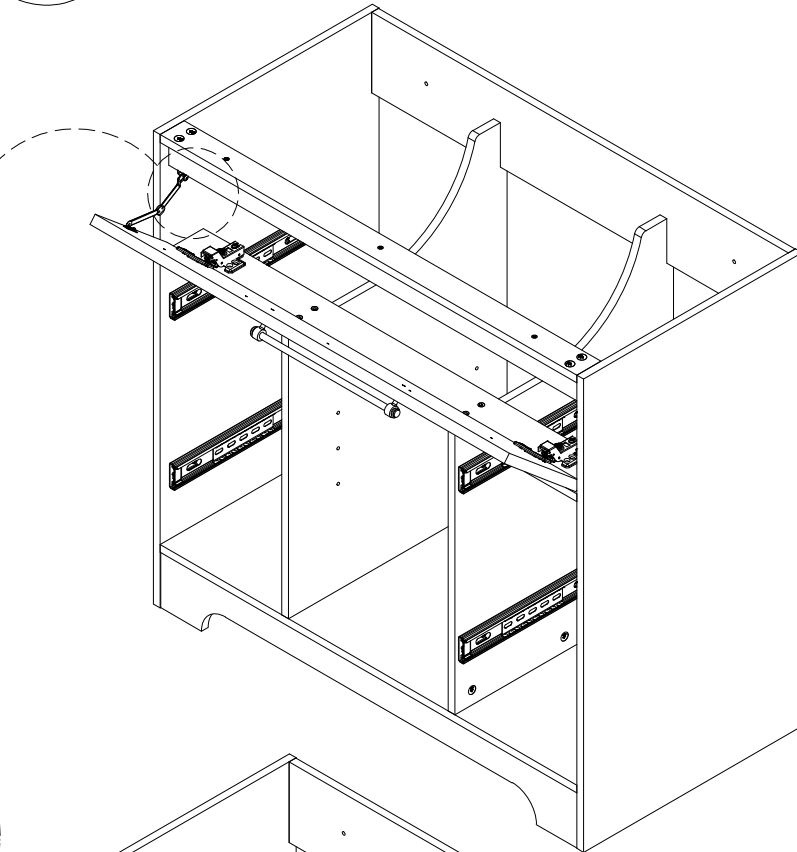
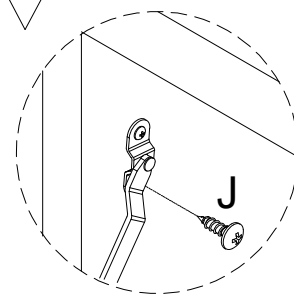
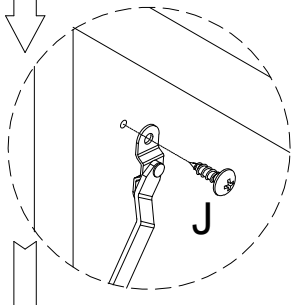
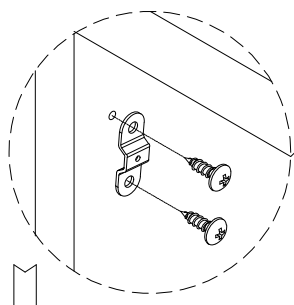
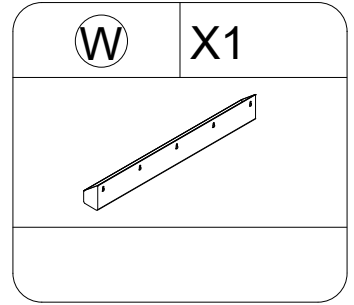
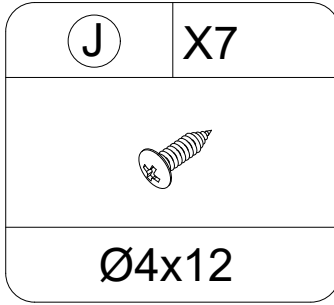
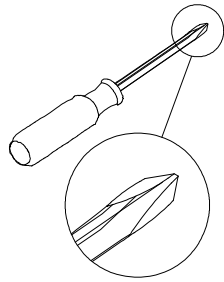


When the hinges are installed, you can refer to the pictures to adjust crevice of the doors till it's perfect

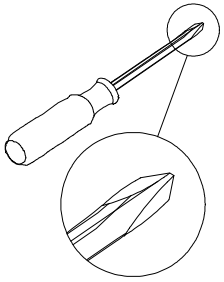


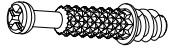
1. To adjust the doors up and down, please refer to step (A)
2. To adjust the distance between the doors and side panels, please refer to (B)
3. To adjust the gap between two doors, please refer to step (C)
4. After the adjustment finished, please tight the screws, refer to step (D)

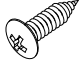
STEP 17

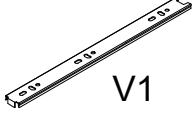


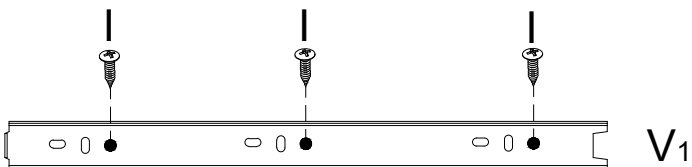
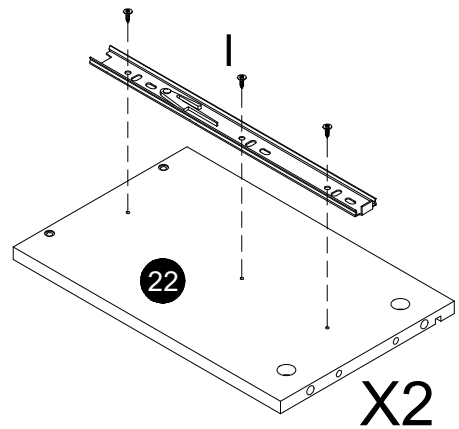
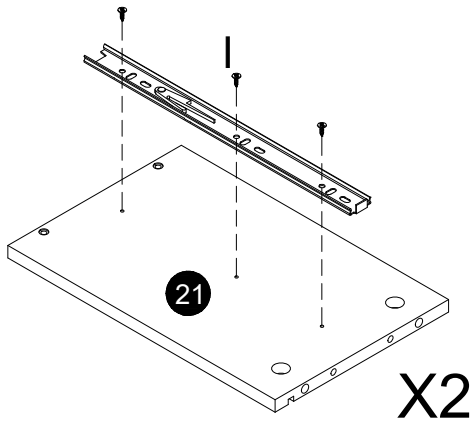
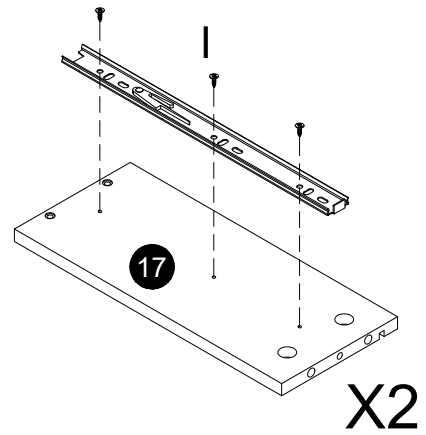
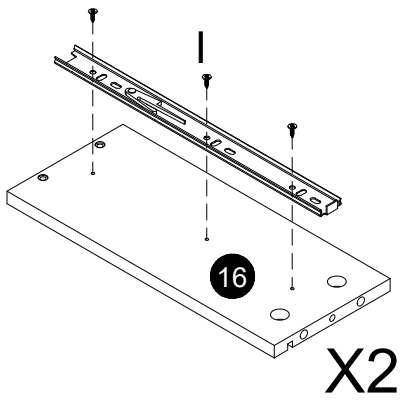
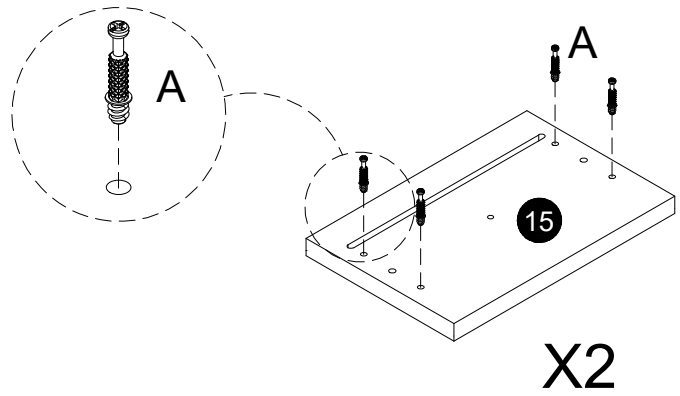
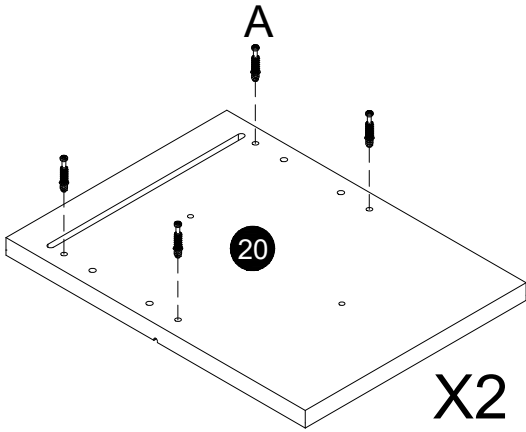
STEP 18



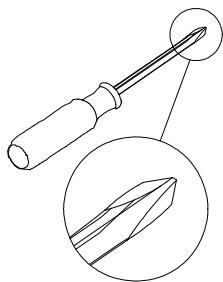
A	X16
	
Ø6x34	

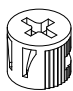
I	X24
	
Ø4x10	

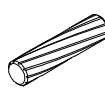
V	X8
	
V1	
12"*45	

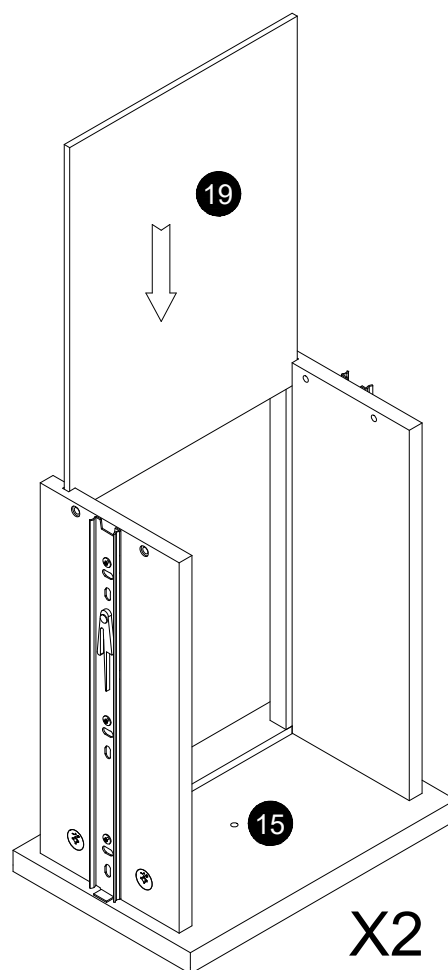
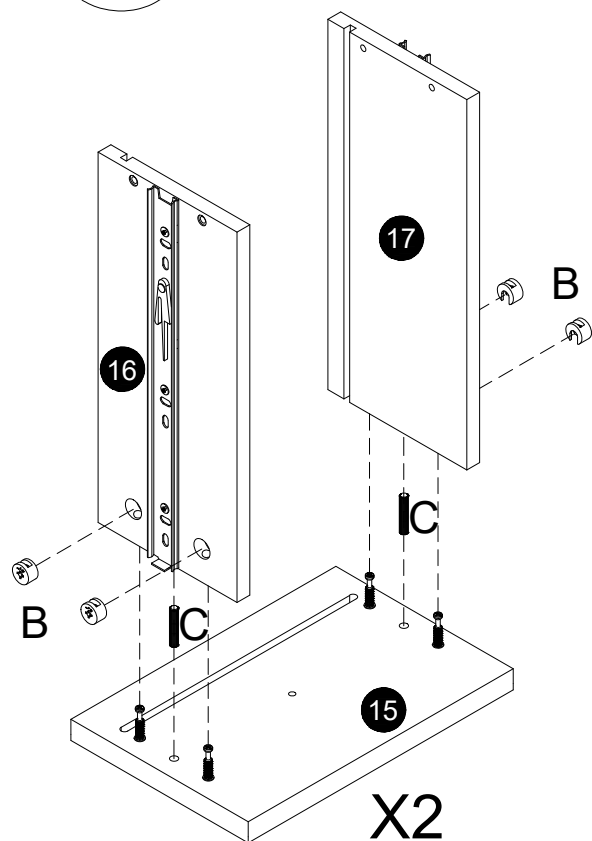


STEP 19

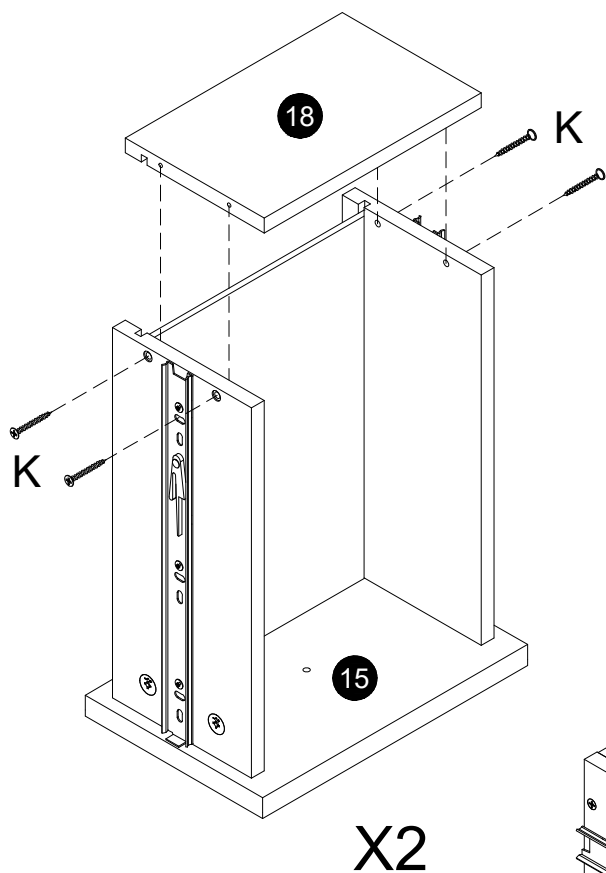
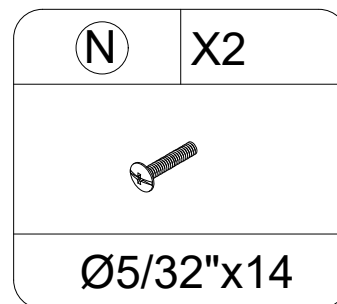
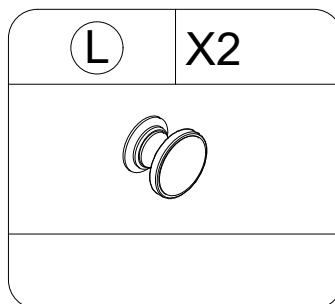
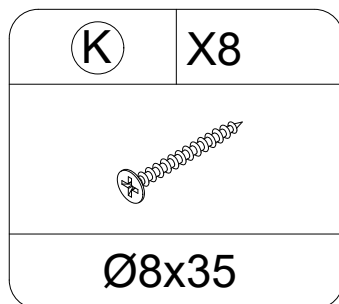
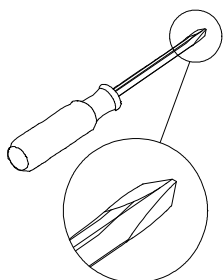


B	X8
	
Ø15x9.5	

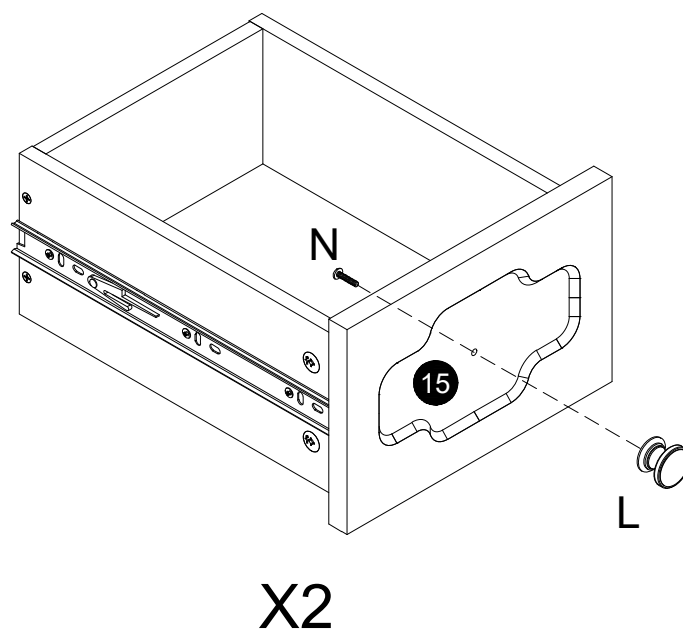
C	X4
	
Ø6x30	



STEP 20

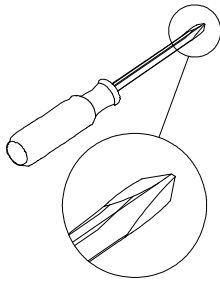


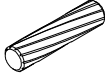
X2

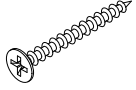


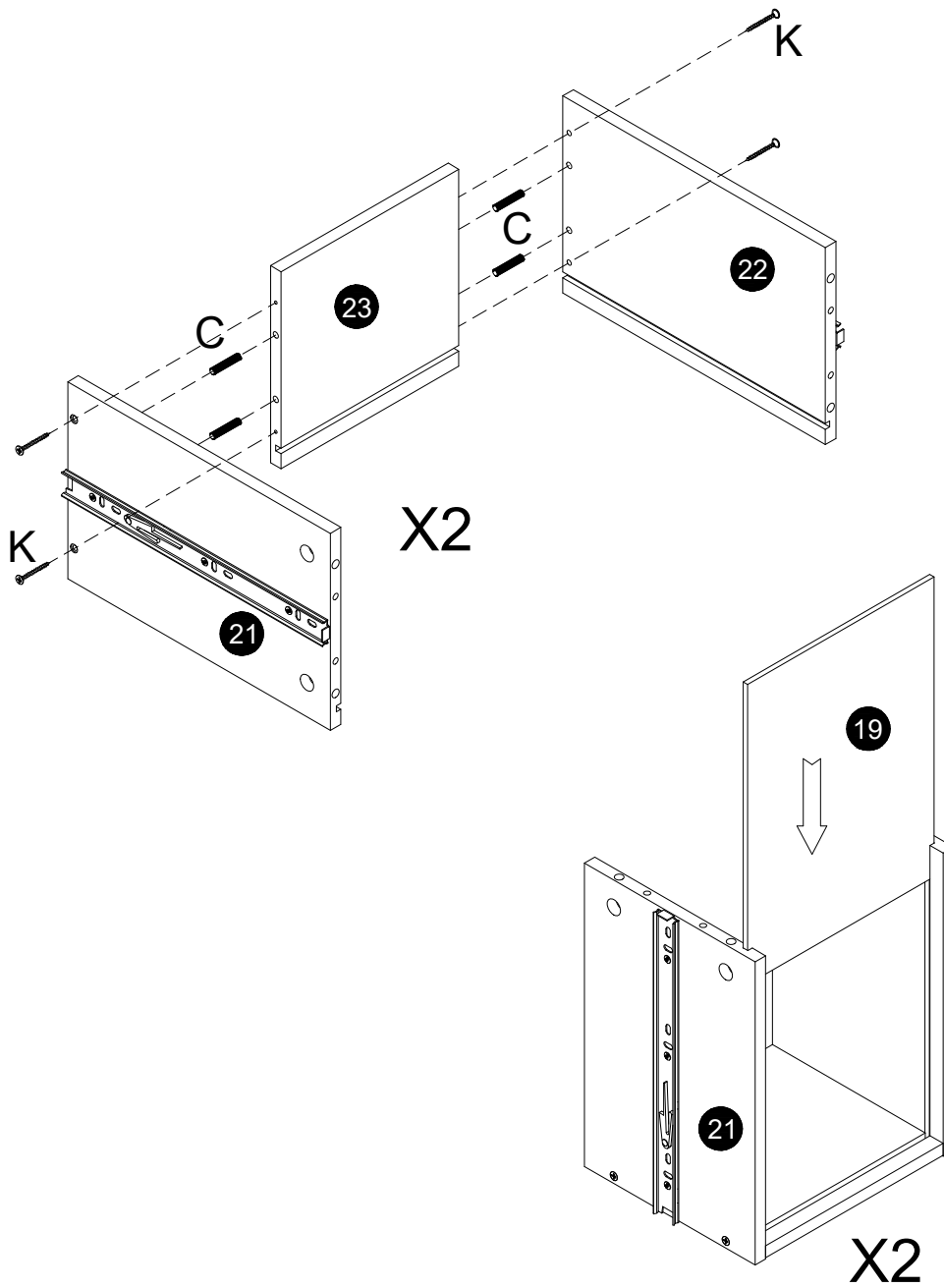
X2

STEP 21




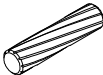
(C)	X8
	
Ø6x30	


(K)	X8
	
Ø8x35	




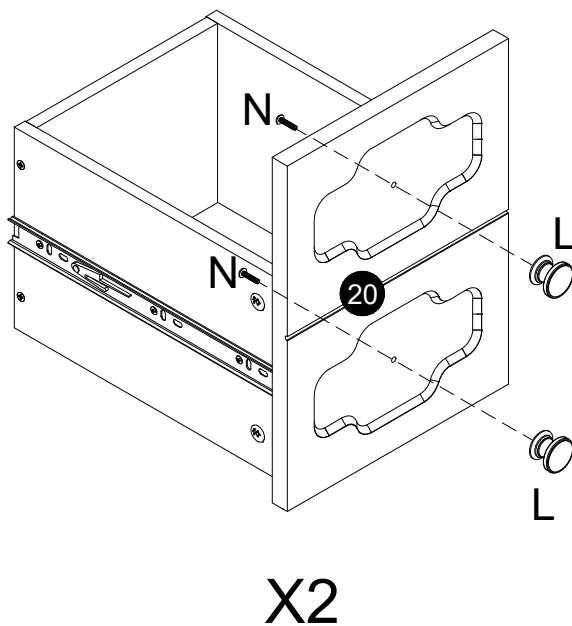
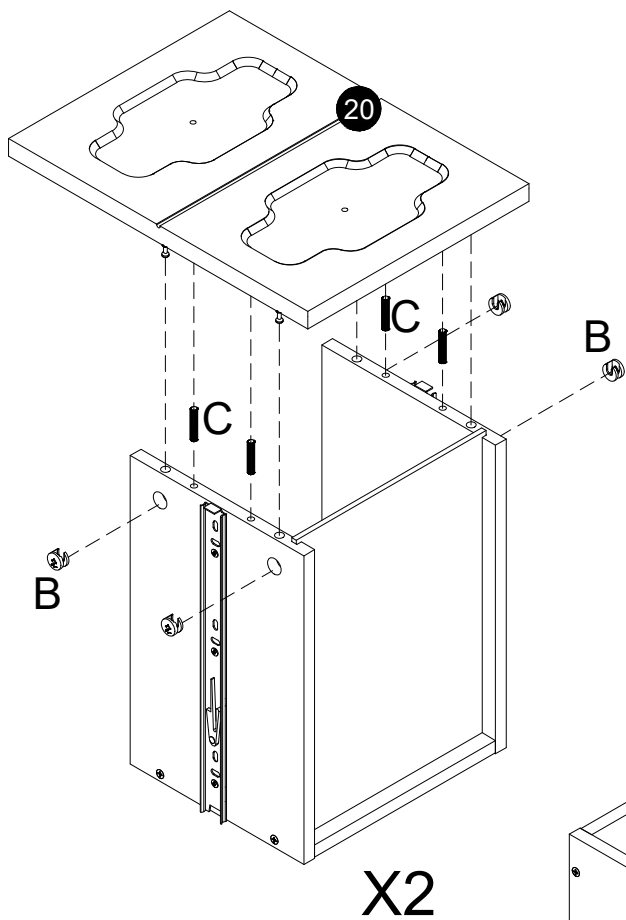
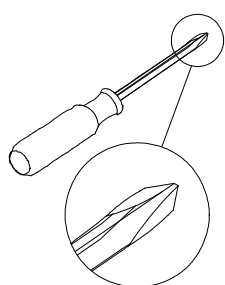
STEP 22

B	X8
	
Ø15x9.5	

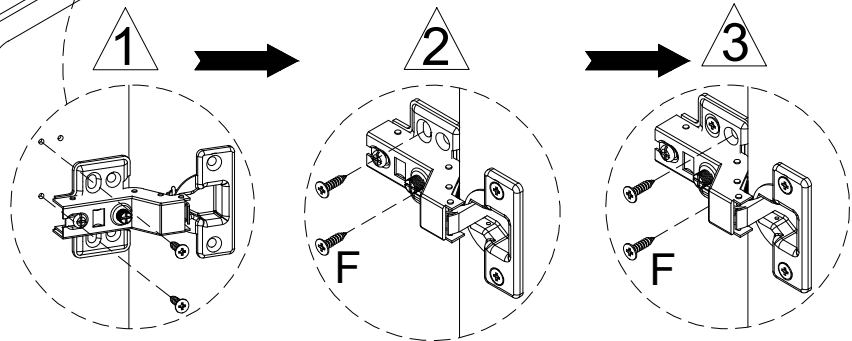
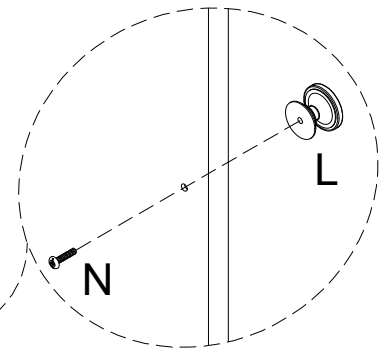
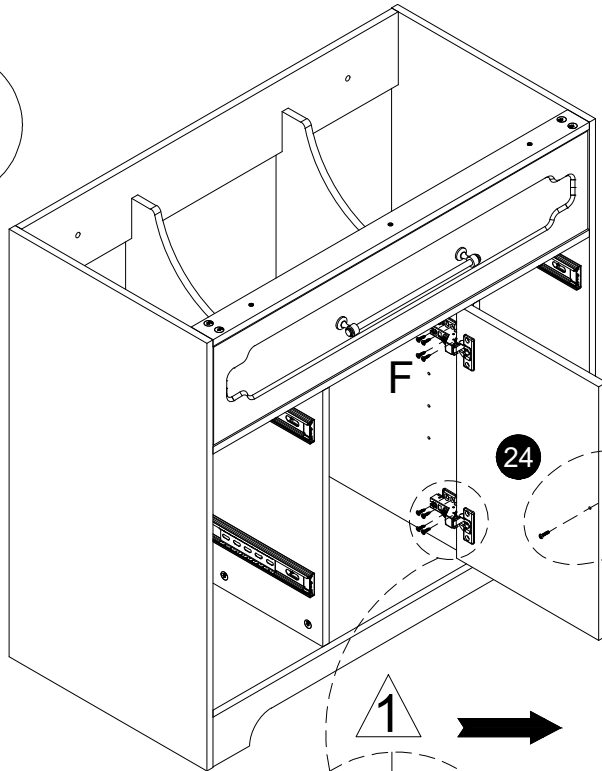
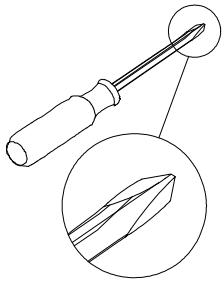
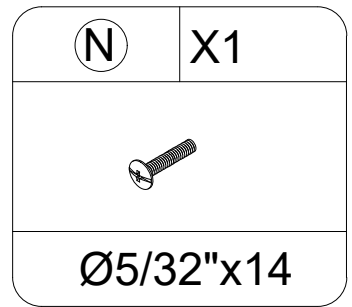
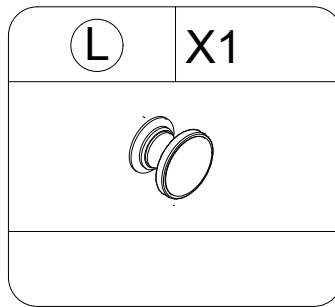
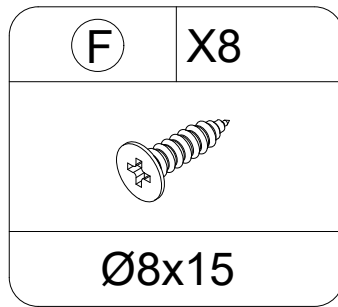
C	X8
	
Ø6x30	

L	X4
	

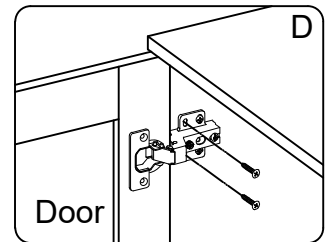
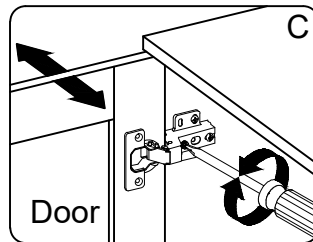
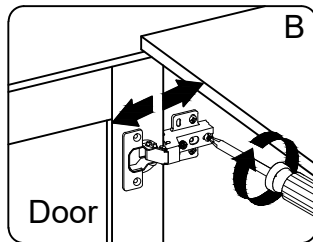
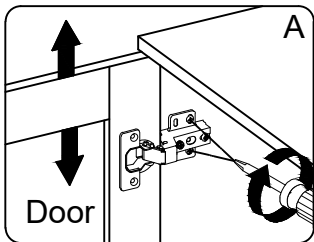
N	X4
	
Ø5/32"x14	



STEP 23

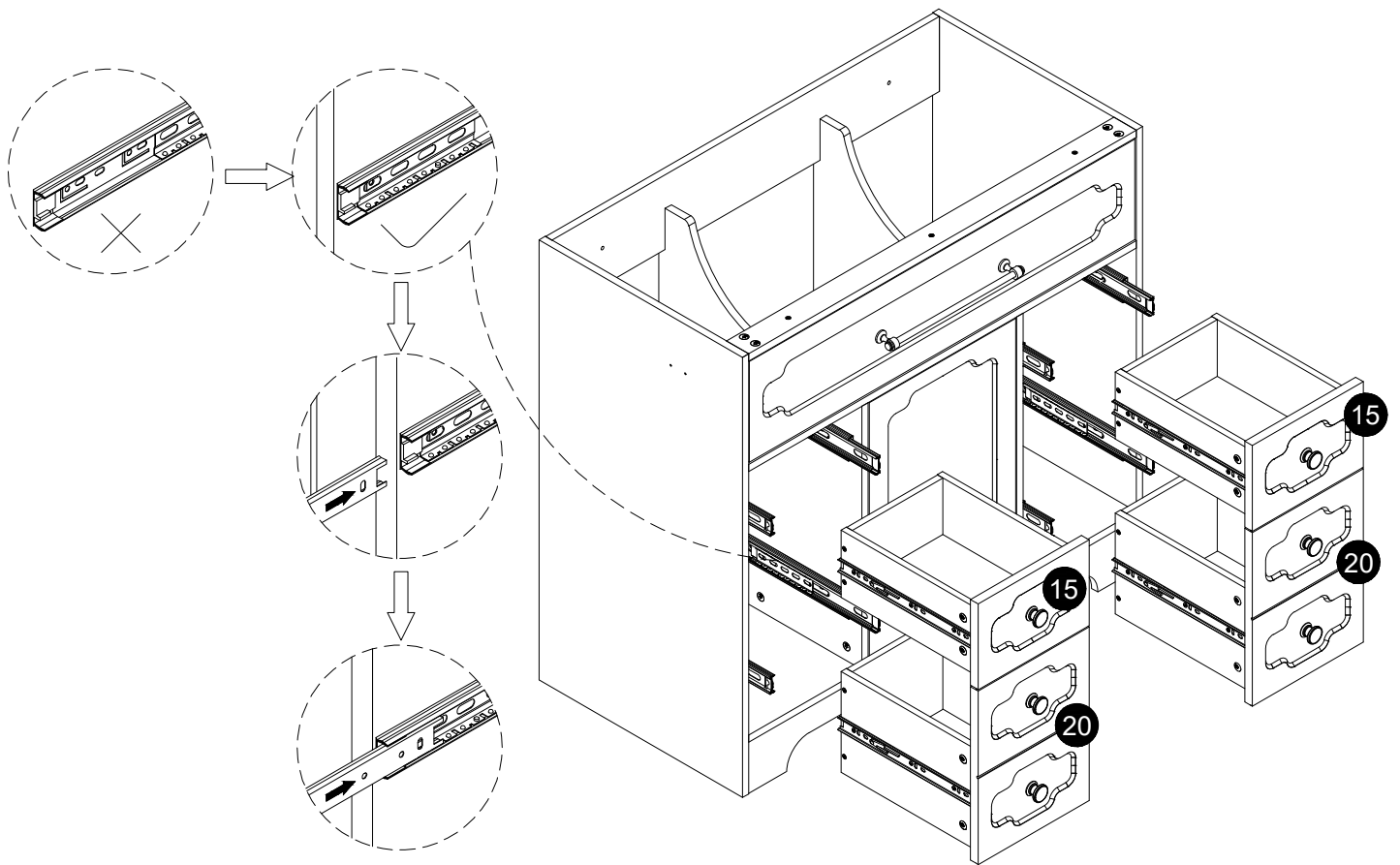


When the hinges are installed, you can refer to the pictures to adjust crevice of the doors till it's perfect

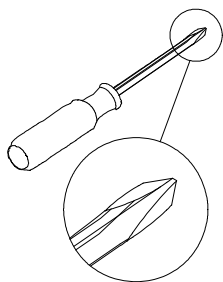



1. To adjust the doors up and down, please refer to step (A)
2. To adjust the distance between the doors and side panels, please refer to (B)
3. To adjust the gap between two doors, please refer to step (C)
4. After the adjustment finished, please tight the screws, refer to step (D)

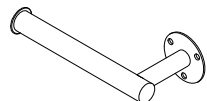
STEP 24

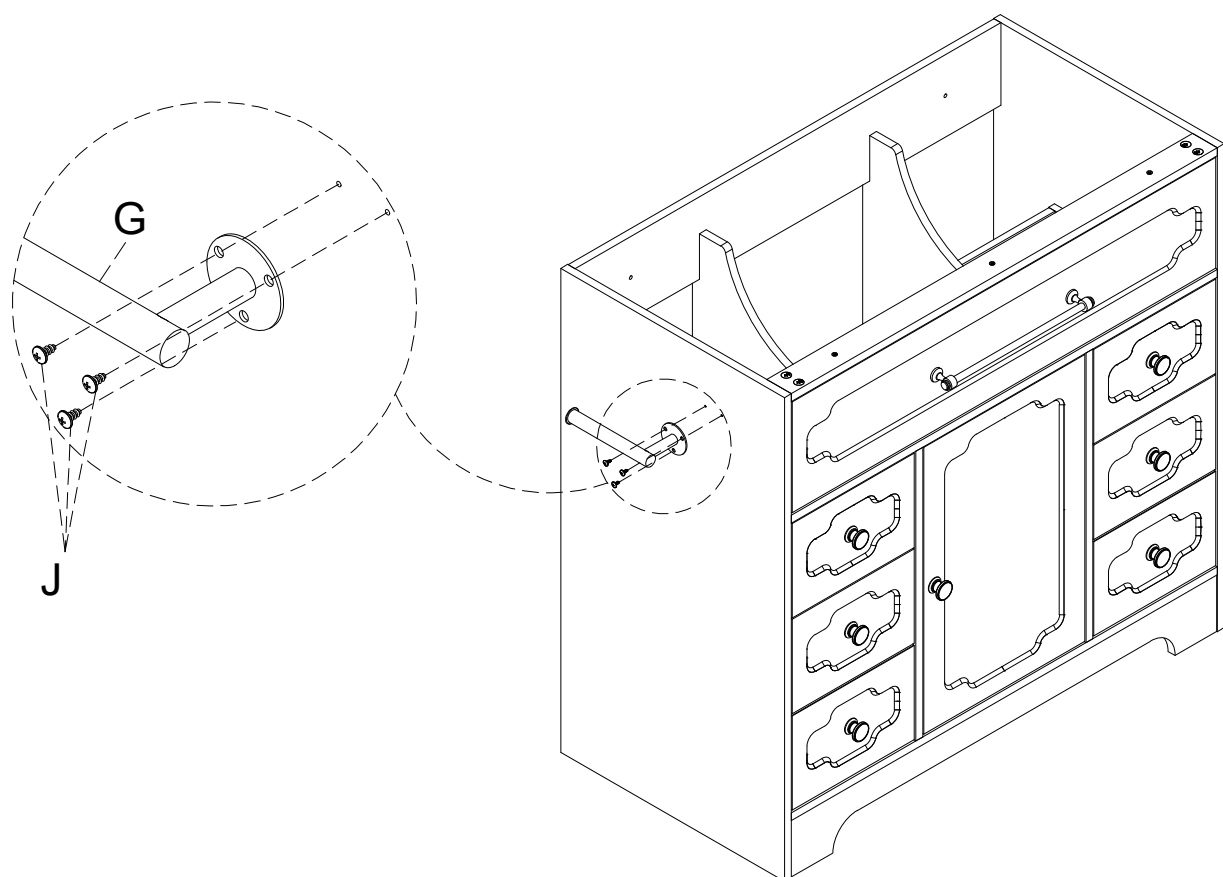


STEP 25

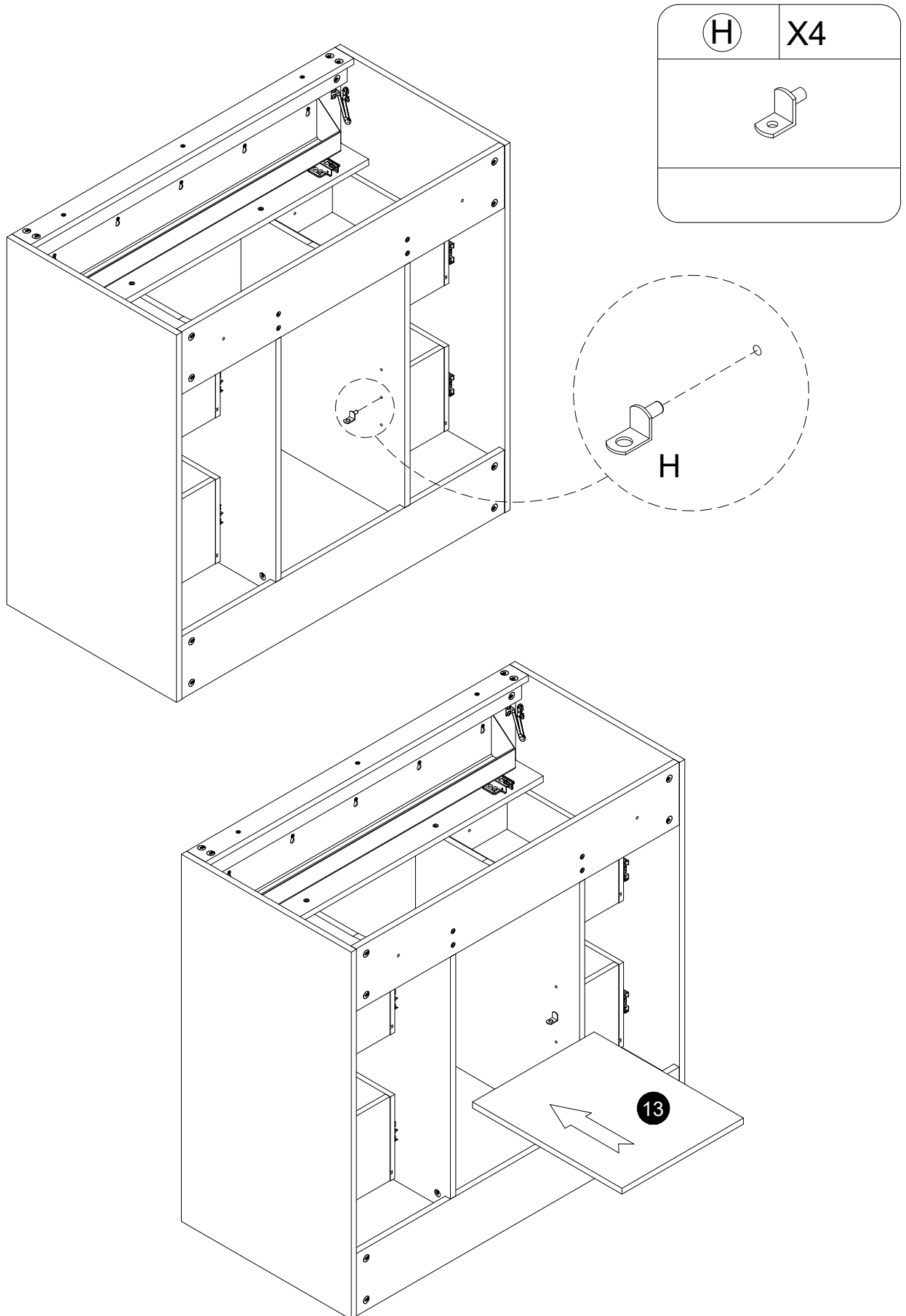


J	X3
	
Ø4x12	

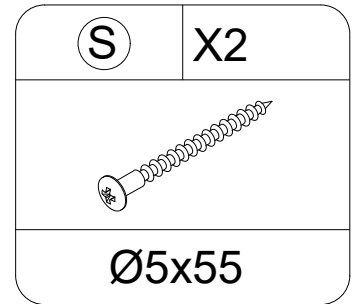
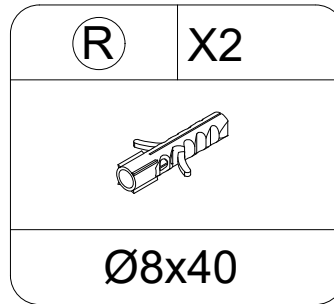
G	X1
	



STEP 26



STEP 27



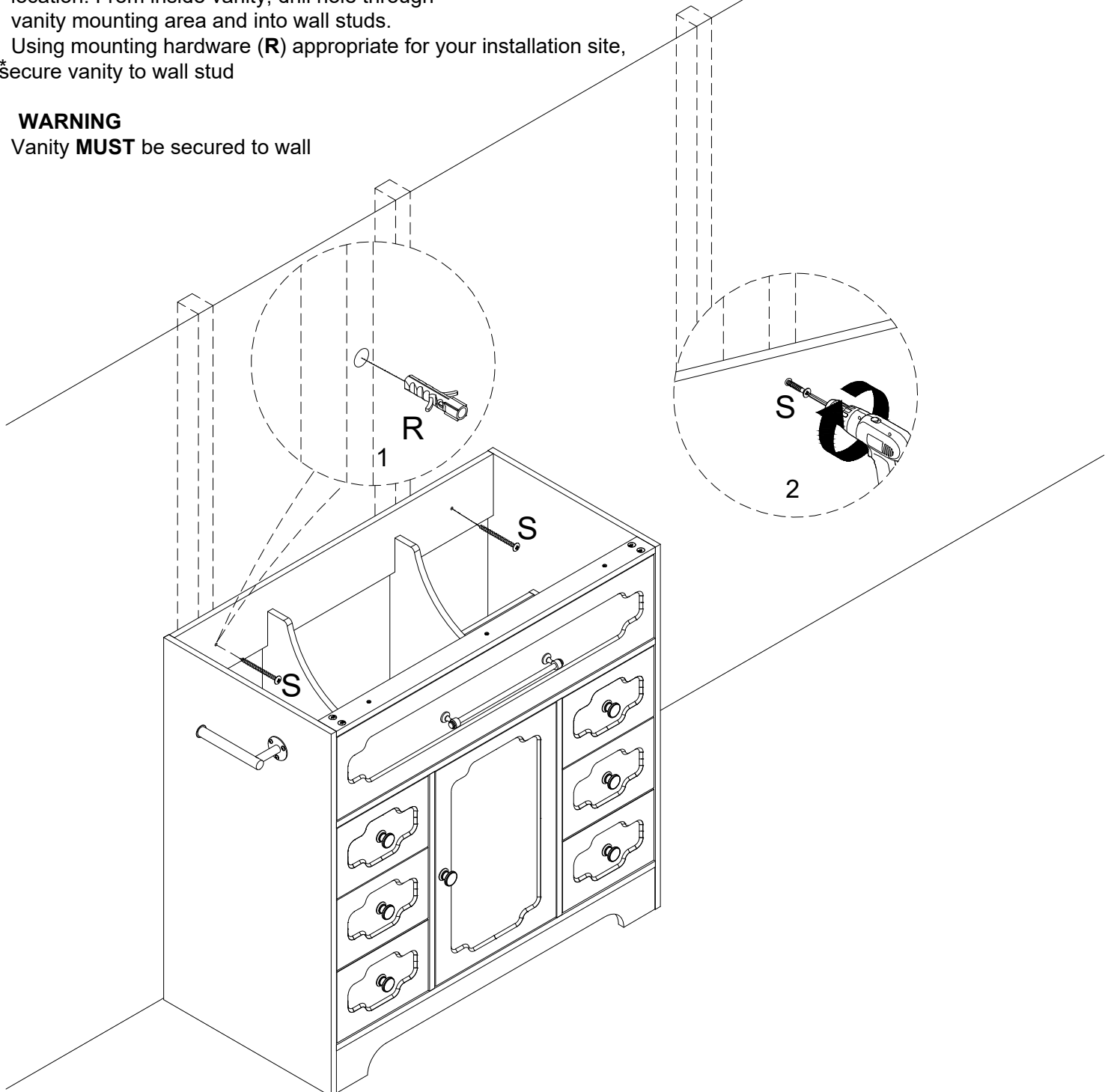
***Note:** Clean area where the vanity will be permanently located prior to beginning installation, ensuring the vanity will not interfere with any water supply and drain lines once mounted.

With the help of another adult, carefully place vanity against the wall in its final location. From inside vanity, drill hole through vanity mounting area and into wall studs.

Using mounting hardware (R) appropriate for your installation site, secure vanity to wall stud

WARNING

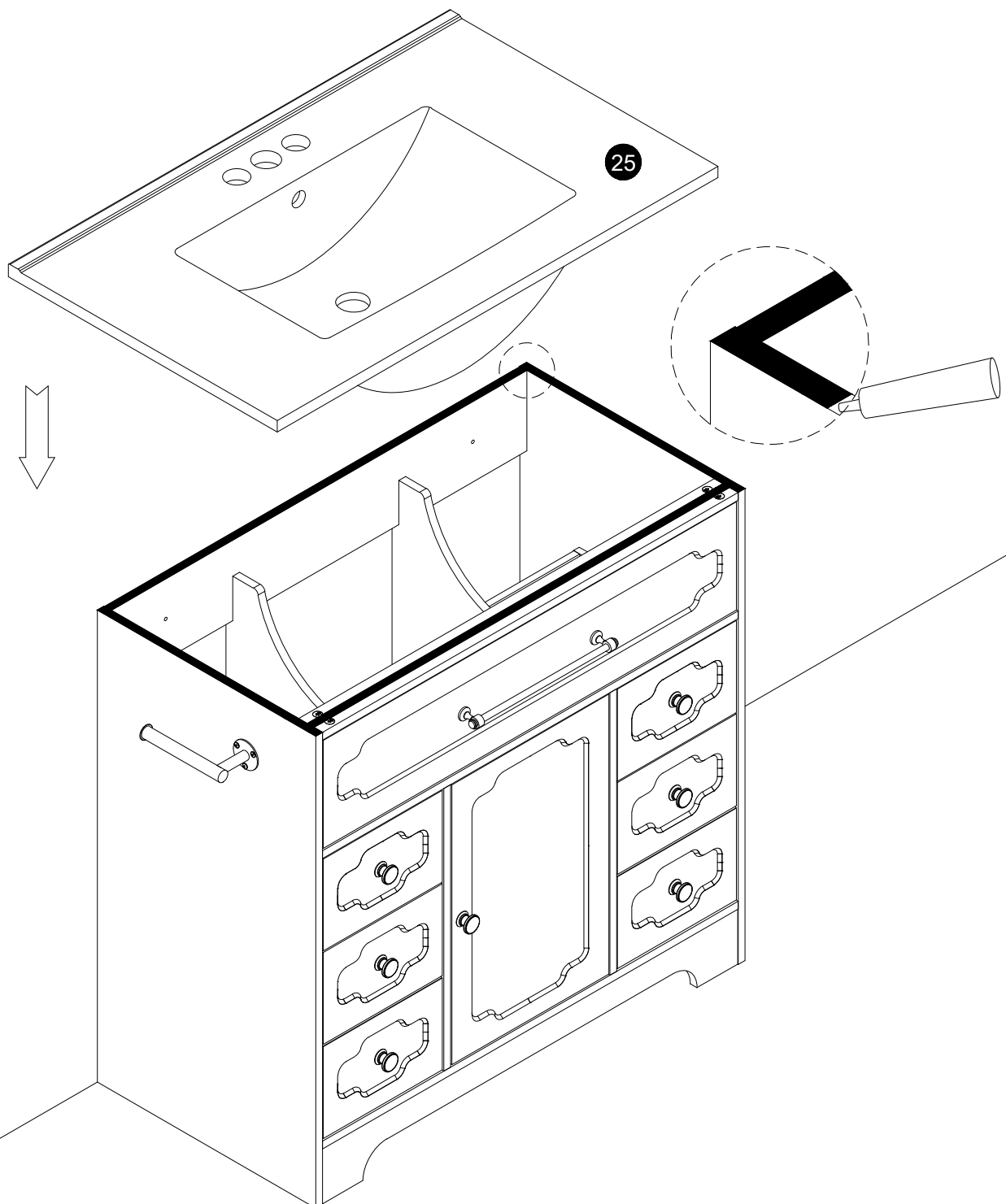
Vanity **MUST** be secured to wall



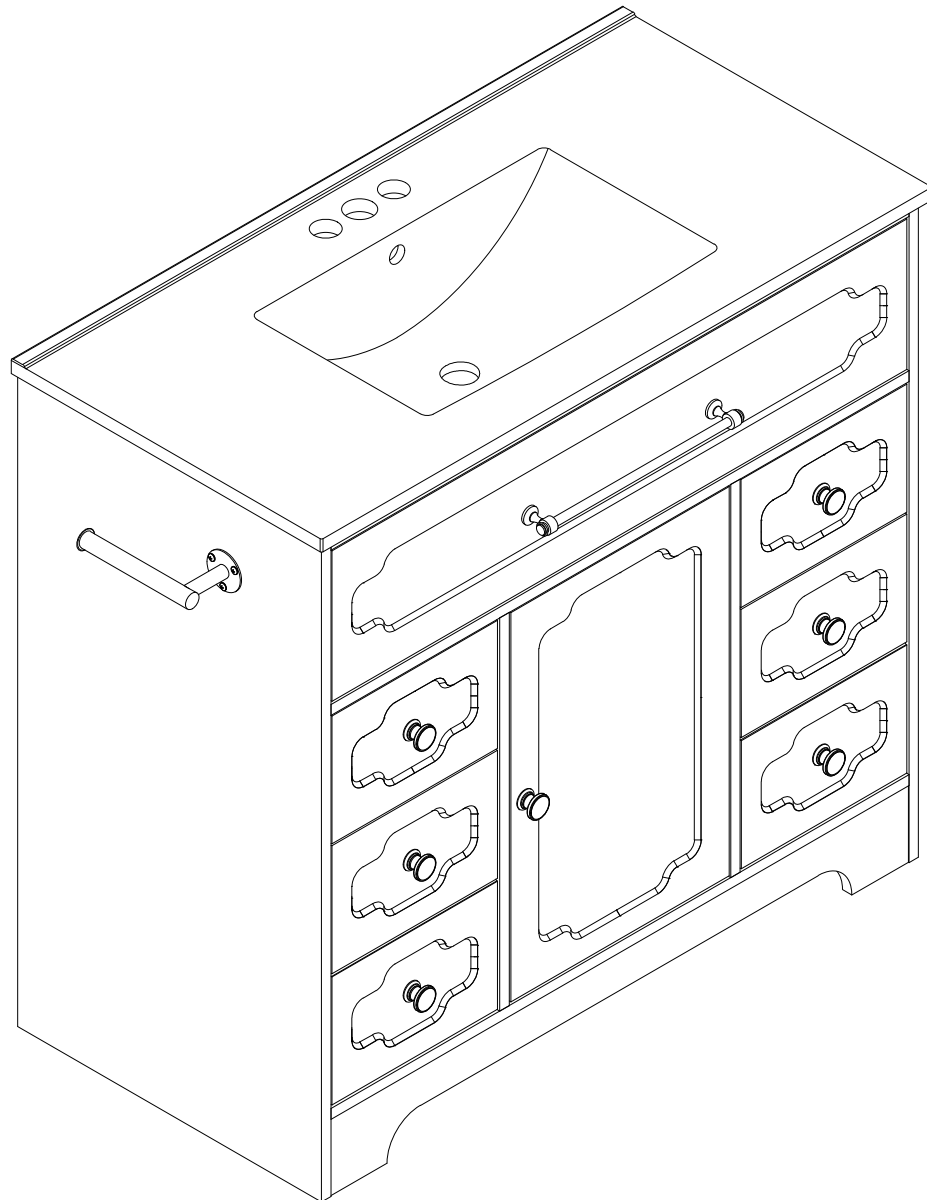
STEP 28

Note: At this stage it may be easier to install the faucet and drain kit (not included) to top (25) per the manufacturer's instructions.

* Apply stain free silicone or latex silicone caulk (not included) to the top edge of vanity. With the help of another adult, gently lower top (25) onto the vanity. Wipe away any excess caulk with a soft cloth, and wait approximately 24 hours for it to dry.



STEP 29



FURNITURE CARE AND MAINTENANCE

Thank you for your purchase. We want your item to last as long as possible. To ensure the Product gives you years of service, please refer to this care and maintenance guide.



MAINTENANCE

Tighten all bolts and screws again within the first 2 weeks of assembly
Check the tightness of all bolts every 2 months, tighten them if necessary



CLEANING

Clean the surface of the MDF and PB (medium - density fiberboard) with a lightly dampened cloth.
Small amount of mild soap can be used if necessary
Dry the surface immediately after cleaning.

DO NOT use bleach or alcohol detergent to clean the surface.
DO NOT apply wood treatment on parts made with MDF/PB.
Medium - density fiberboard and PB will swell and distort when suffer from water damage.
Make sure to dry the furniture immediately after cleaning